



US00D809215S

(12) **United States Design Patent**
Watson

(10) **Patent No.:** **US D809,215 S**
(45) **Date of Patent:** **** Jan. 30, 2018**

(54) **CREATURE-SHAPED AQUARIUM**

(71) Applicant: **PetSmart Home Office, Inc.**, Phoenix, AZ (US)

(72) Inventor: **Jeffrey Stocker Watson**, Phoenix, AZ (US)

(73) Assignee: **PetSmart Home Office, Inc.**, Phoenix, AZ (US)

(**) Term: **15 Years**

(21) Appl. No.: **29/588,541**

(22) Filed: **Dec. 21, 2016**

(51) **LOC (11) Cl.** **30-02**

(52) **U.S. Cl.**
USPC **D30/103; D30/101**

(58) **Field of Classification Search**
USPC D30/101-107; D6/302; D7/578, 582, D7/518, 521; D9/629, 643, 645, 601, D9/606; D11/56, 103, 131, 133, 145, D11/134, 144, 149, 157-158; D21/378
CPC A01K 63/00; A01K 63/003; A01K 63/02; A01K 63/006
See application file for complete search history.

(56) **References Cited**

U.S. PATENT DOCUMENTS

D90,646 S * 9/1933 Carnes D30/103
D90,647 S * 9/1933 Carnes D30/103
D231,008 S * 3/1974 Hullender D30/104
D291,426 S * 8/1987 Husbands D11/145
5,347,952 A * 9/1994 Tsai A01K 63/003
119/246

D397,521 S * 8/1998 Gomi D30/101
D609,606 S * 2/2010 Hsu D11/158
D693,519 S * 11/2013 Xu D30/104
D796,122 S * 8/2017 Wang D30/101

OTHER PUBLICATIONS

“Top Fin® Slurpette Deep Sea Creature Aquarium.” PetSmart Inc. Copyright © 2017. Retrieved on Sep. 21, 2017. Retrieved from the Internet: URL:www.petsmart.com/fish/tanks-aquariums-and-nets/aquariums/top-fin-slurpette-deep-sea-creature-aquarium-42620.html?cgid=300129.*

* cited by examiner

Primary Examiner — Wan Laymon

(74) *Attorney, Agent, or Firm* — Duane Morris LLP

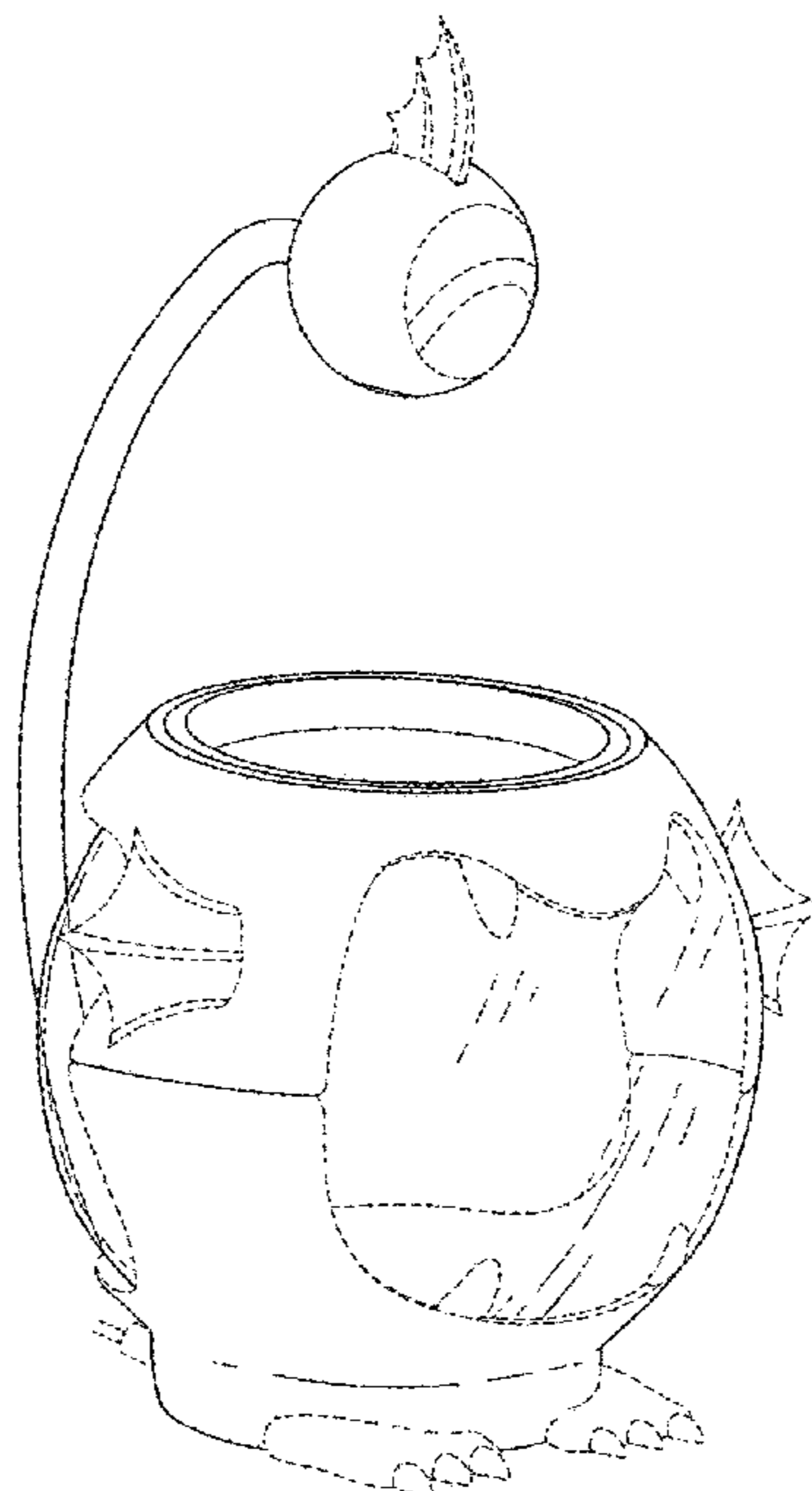
(57) **CLAIM**

I claim the ornamental design for a creature-shaped aquarium, as shown and described.

DESCRIPTION

FIG. 1 is a perspective view of the creature-shaped aquarium.
FIG. 2 is a front view of the creature-shaped aquarium.
FIG. 3 is a rear view of the creature-shaped aquarium.
FIG. 4 is a left side view of the creature-shaped aquarium.
FIG. 5 is a right side view of the creature-shaped aquarium.
FIG. 6 is a top view of the creature-shaped aquarium; and, FIG. 7 is a bottom view of the creature-shaped aquarium.
The broken lines in the drawings define boundary lines and form no part of the claimed design.

1 Claim, 7 Drawing Sheets



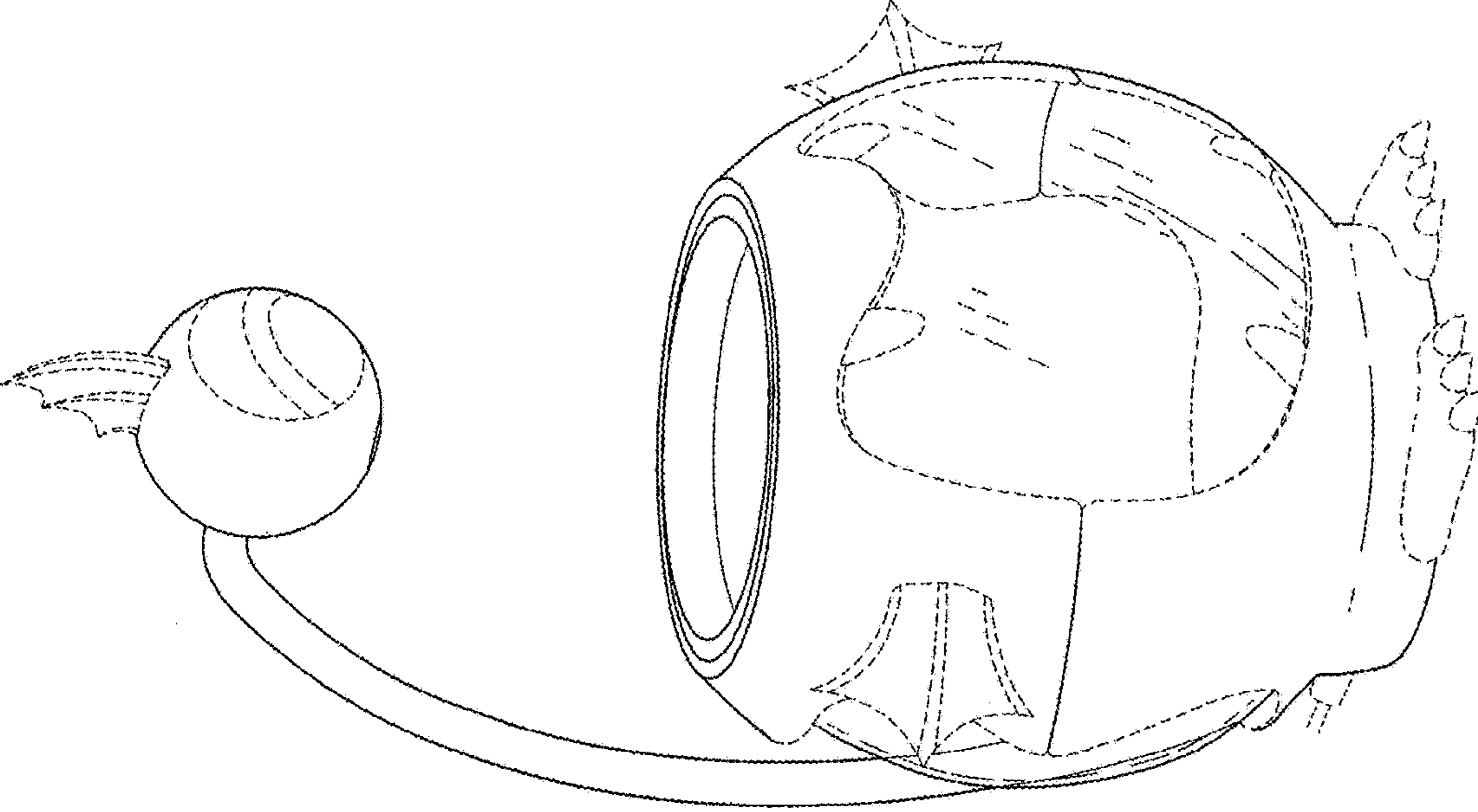


FIG. 1

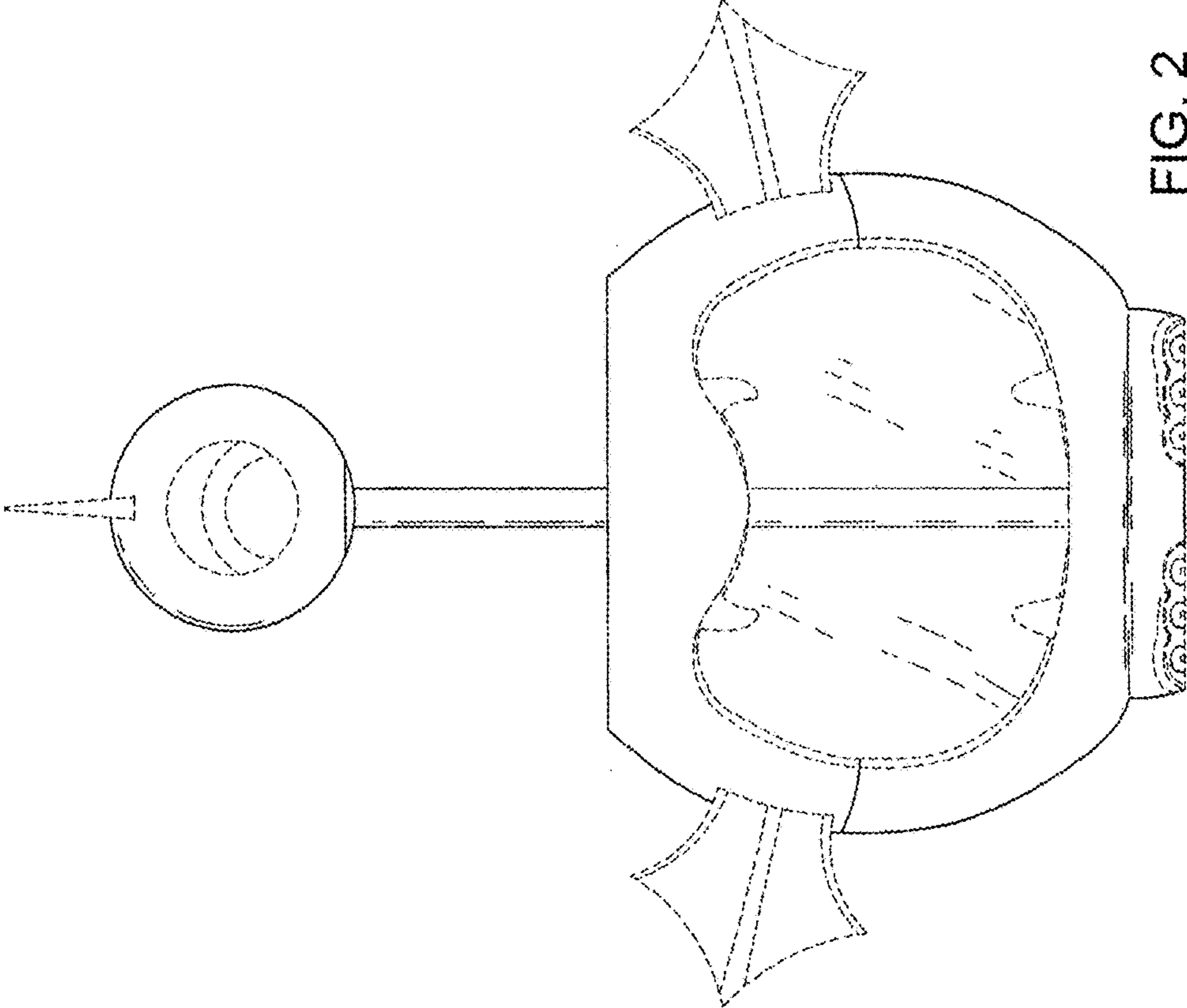


FIG. 2

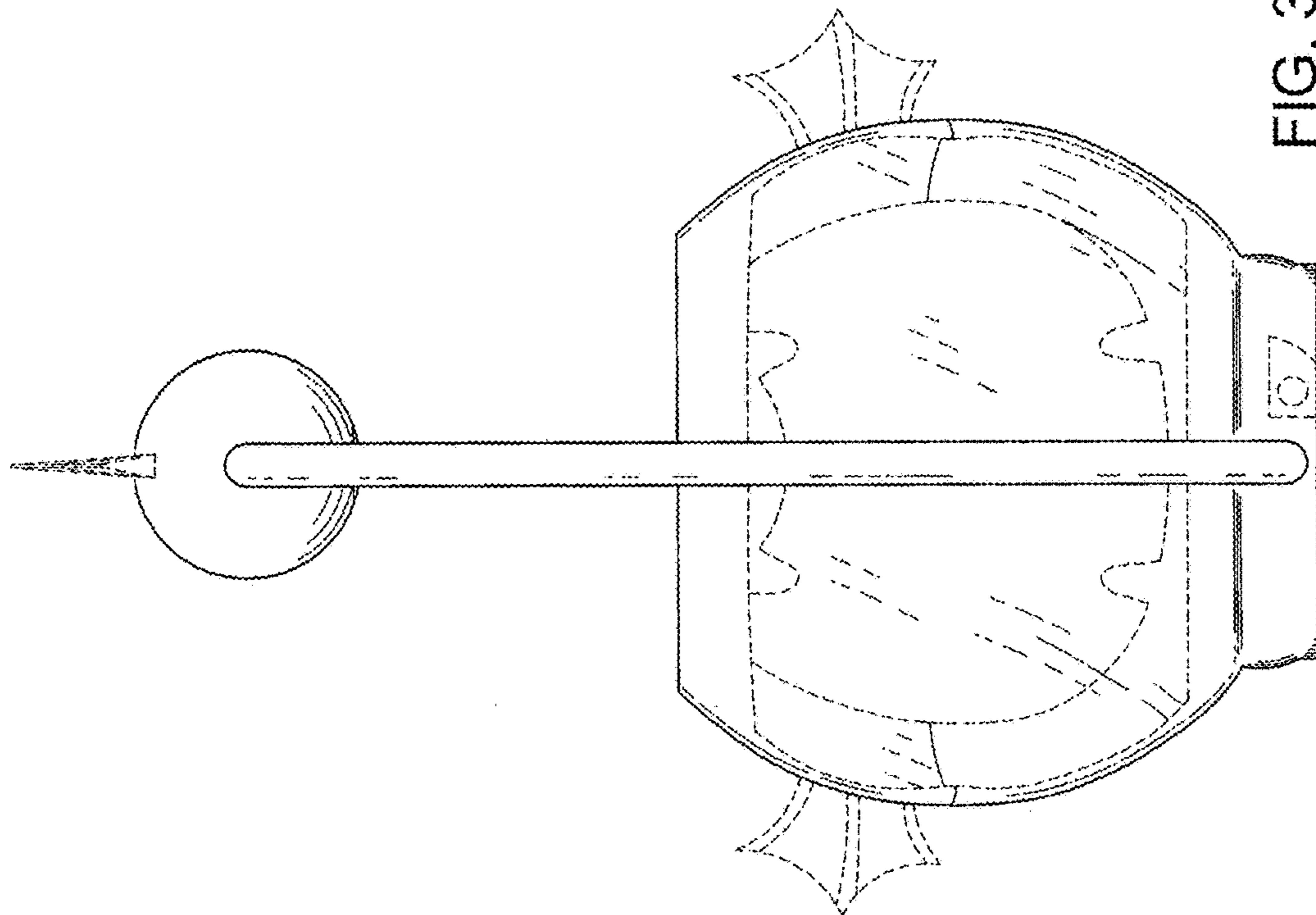


FIG. 3

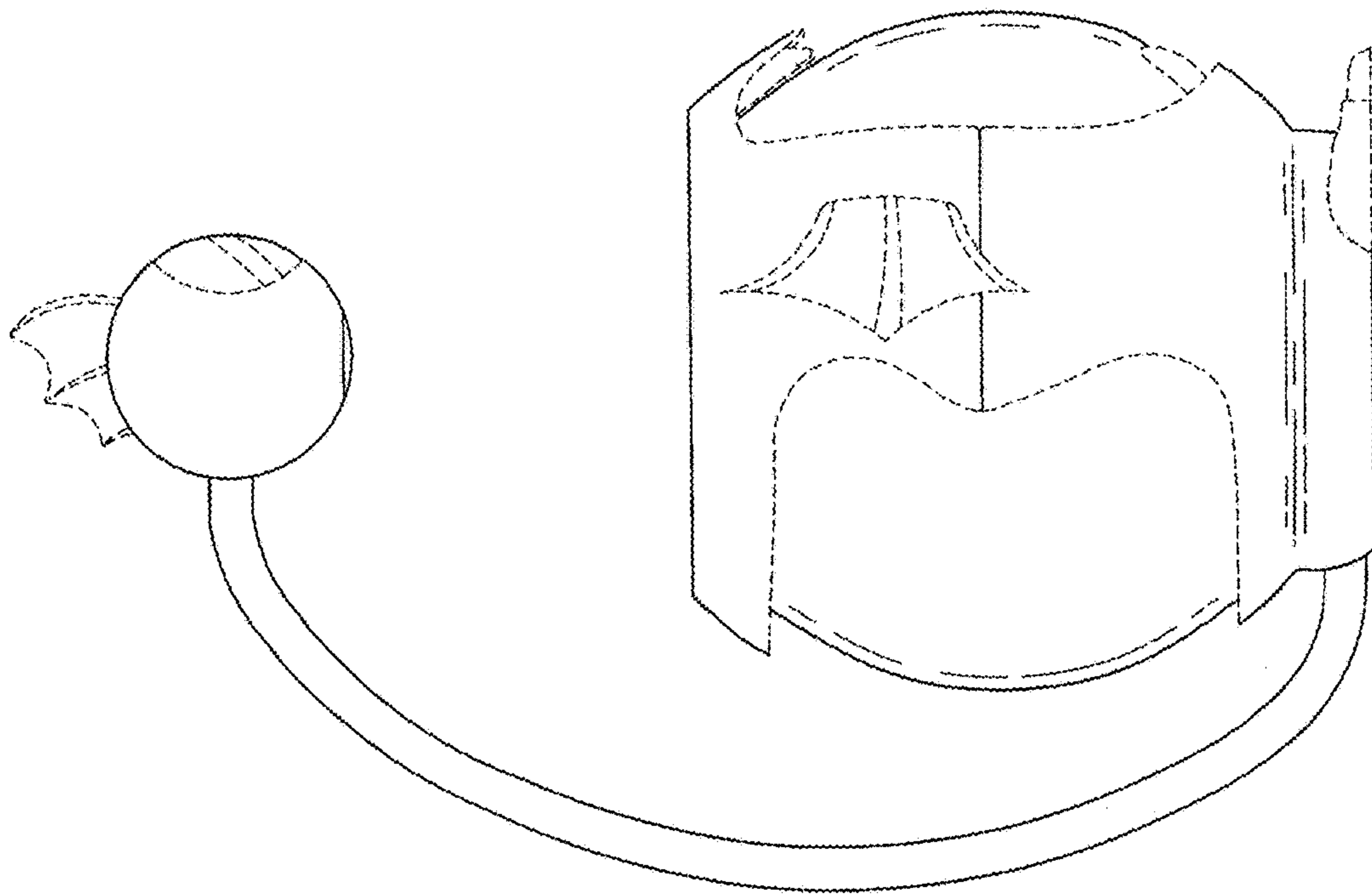


FIG. 4

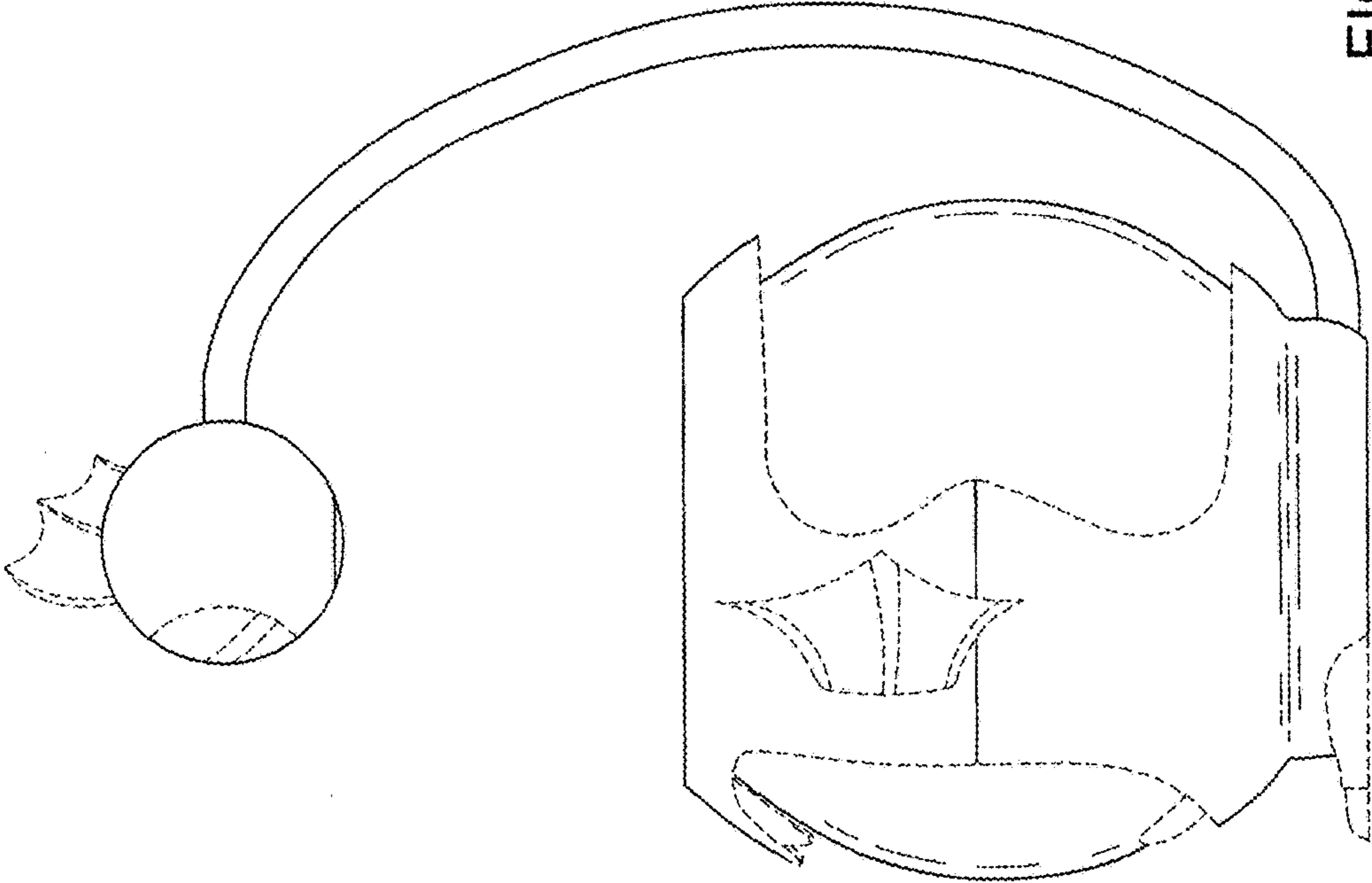


FIG. 5

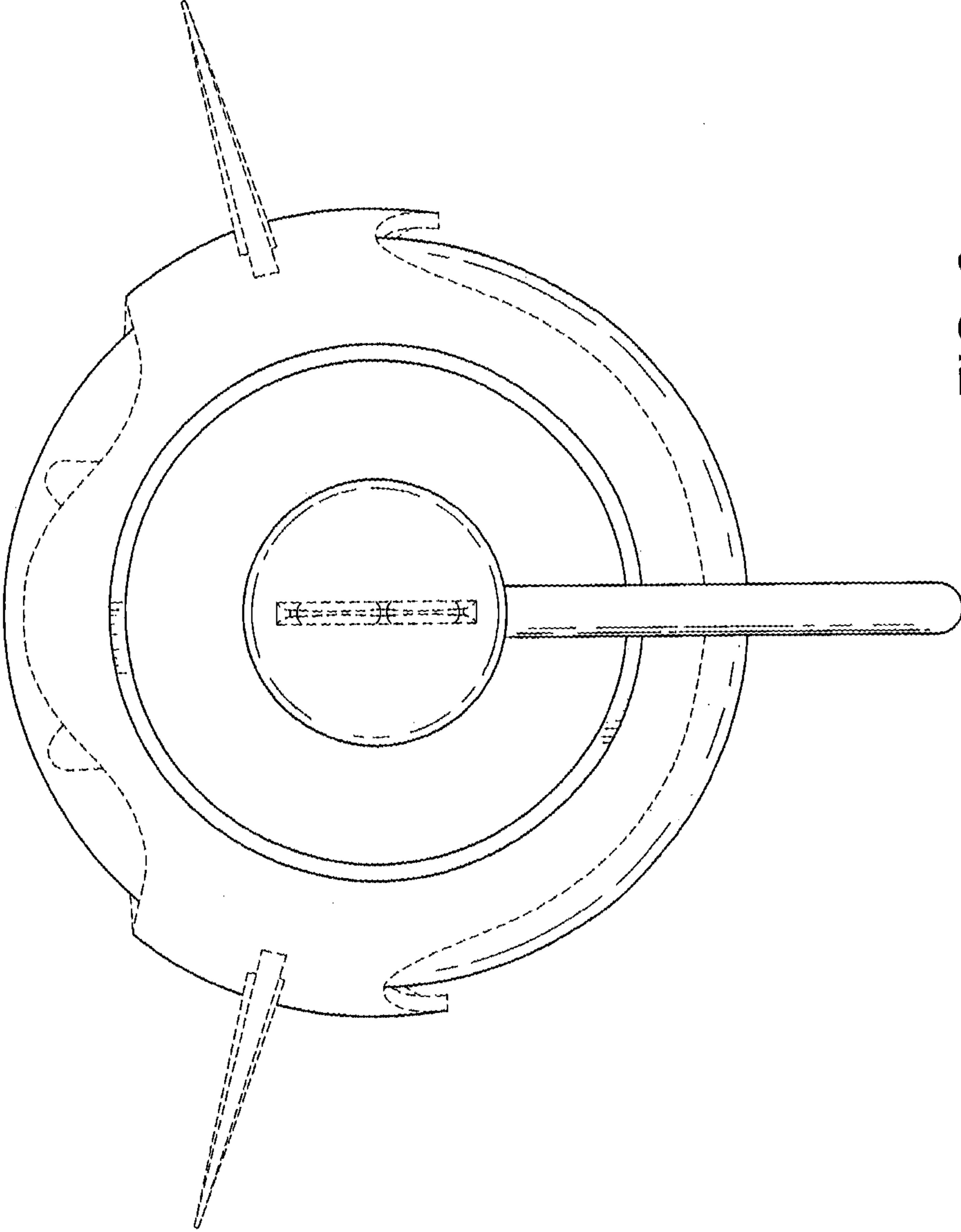


FIG. 6

