

US00D809204S

(12) **United States Design Patent**
von Berg

(10) **Patent No.:** **US D809,204 S**
(45) **Date of Patent:** **** Jan. 30, 2018**

- (54) **LASER HAIR COMB**
- (71) Applicant: **Peter von Berg**, Ft. Myers, FL (US)
- (72) Inventor: **Peter von Berg**, Ft. Myers, FL (US)
- (**) Term: **15 Years**
- (21) Appl. No.: **29/570,922**
- (22) Filed: **Jul. 13, 2016**
- (51) **LOC (11) Cl.** **28-03**
- (52) **U.S. Cl.**
USPC **D28/25**
- (58) **Field of Classification Search**
USPC ... D28/25, 24, 7, 10, 20, 21, 22, 28, 30, 31;
132/53, 112, 126, 150, 208, 219, 216
CPC A61N 5/06; A61N 5/0617; A45D 24/22;
A45D 24/00
See application file for complete search history.

D716,493 S * 10/2014 Michaels A45D 24/00
D28/30
2004/0025897 A1* 2/2004 Menaged A46B 5/0054
132/150
2008/0105270 A1* 5/2008 Walters A45D 24/22
132/112
2009/0293897 A1* 12/2009 Ma A45D 19/02
132/112
2011/0067717 A1* 3/2011 McHugh A01K 13/001
132/114
2014/0130821 A1* 5/2014 Tsai A45D 24/22
132/112

* cited by examiner

Primary Examiner — Susan Bennett Hattan
Assistant Examiner — Rebecca Tsehaye
(74) *Attorney, Agent, or Firm* — Larry D. Johnson

(57) **CLAIM**

The ornamental design for a laser hair comb, as shown.

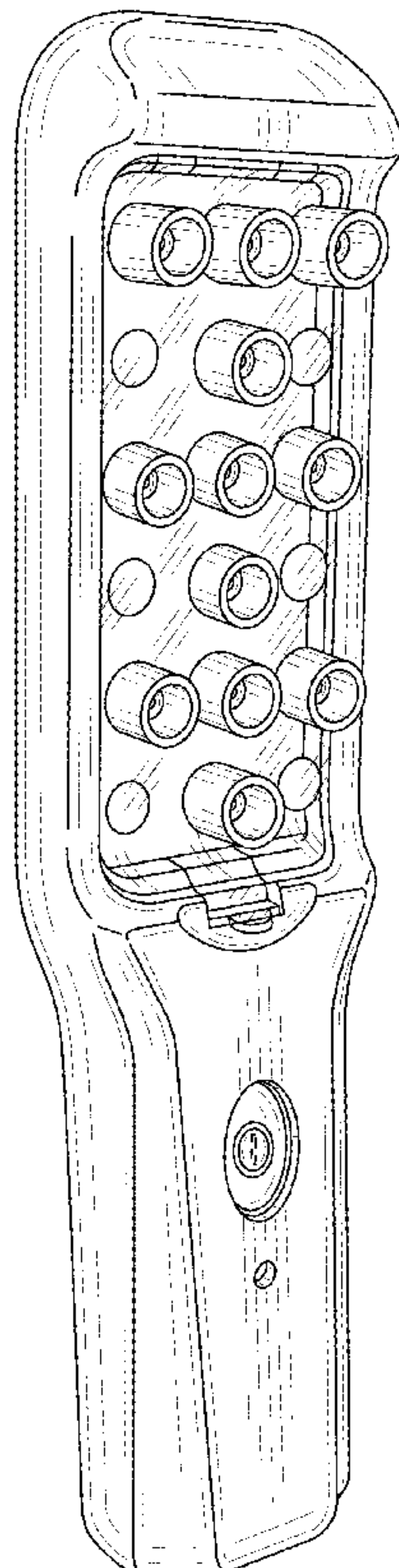
DESCRIPTION

FIG. 1 is a perspective view;
FIG. 2 is a front elevation view;
FIG. 3 is a rear elevation view;
FIG. 4 is a left side elevation view;
FIG. 5 is a right side elevation view;
FIG. 6 is a top view; and,
FIG. 7 is a bottom view.
The broken lines in the drawings depict a portion of the laser hair comb that form no part of the claimed design.

1 Claim, 4 Drawing Sheets

(56) **References Cited**
U.S. PATENT DOCUMENTS

- 5,297,882 A * 3/1994 Kornides A01K 13/002
132/112
- 7,194,316 B2 * 3/2007 Bousfield A61N 1/322
433/29
- D599,954 S * 9/2009 Michaels D28/30
- 7,650,893 B2 * 1/2010 De Laforcade A45D 19/02
132/161
- D631,604 S * 1/2011 Michaels D28/30



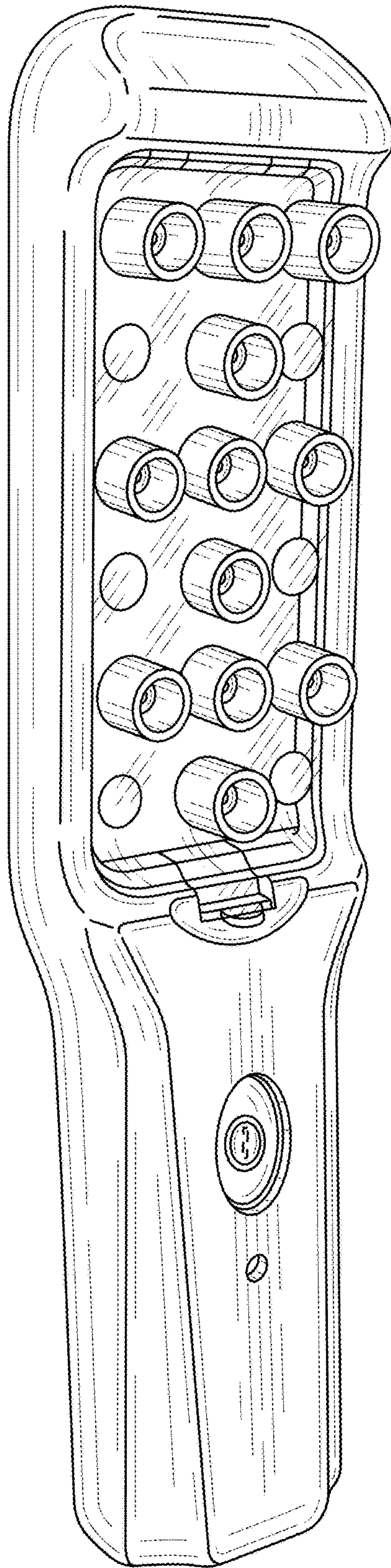


FIG. 1

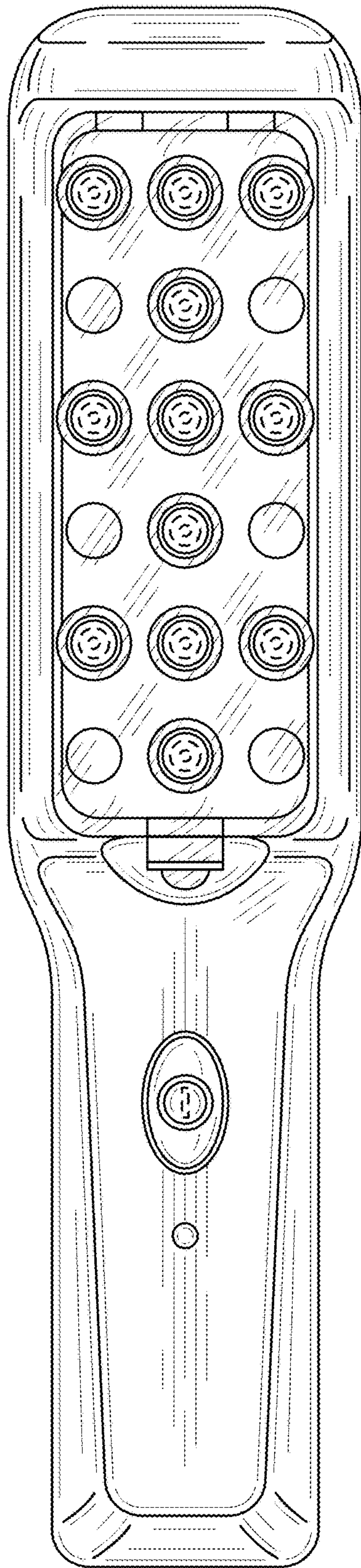


FIG. 2

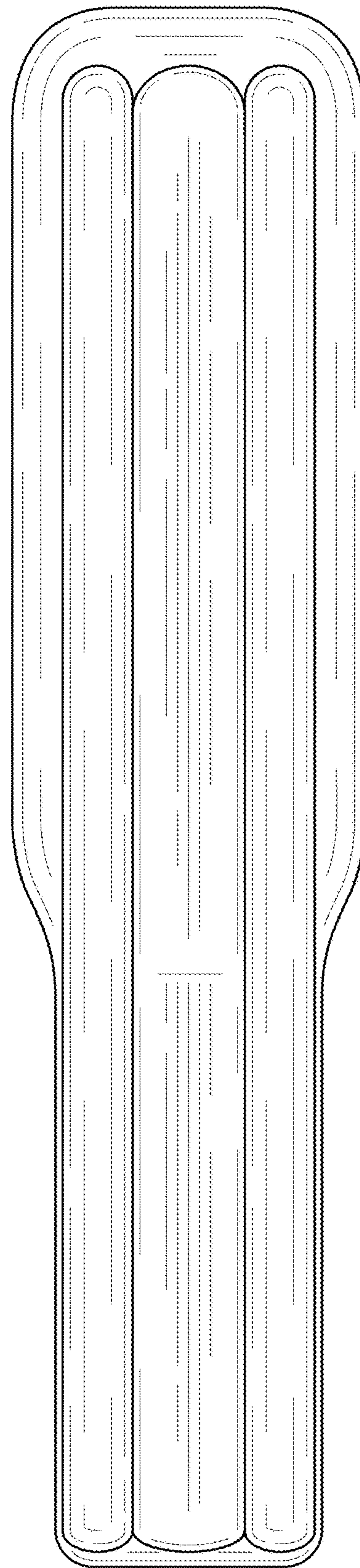


FIG. 3

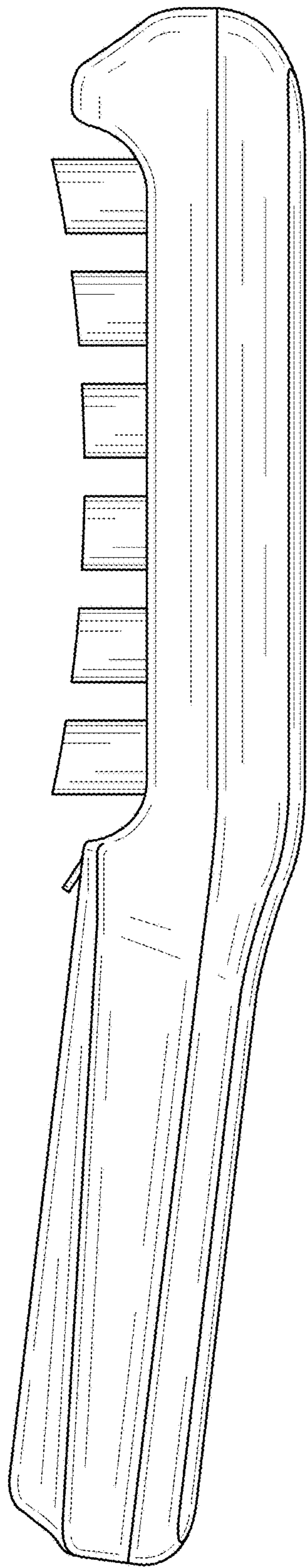


FIG. 4

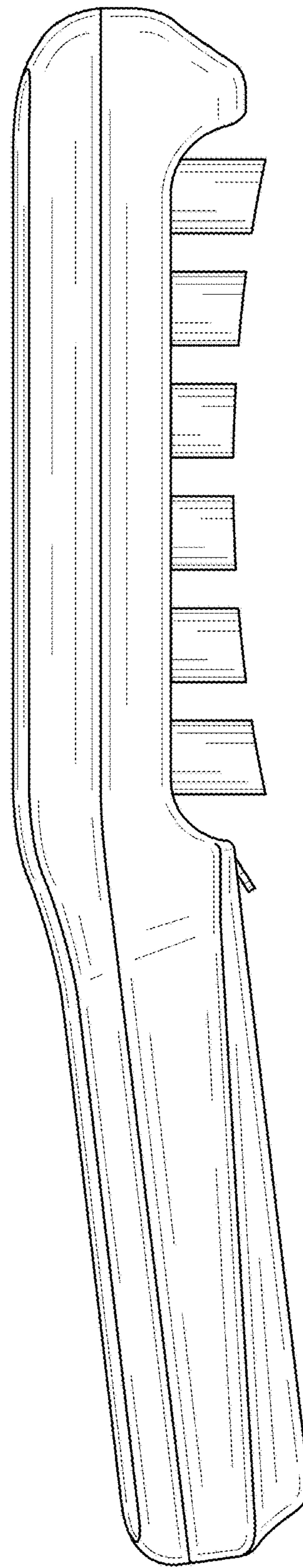


FIG. 5

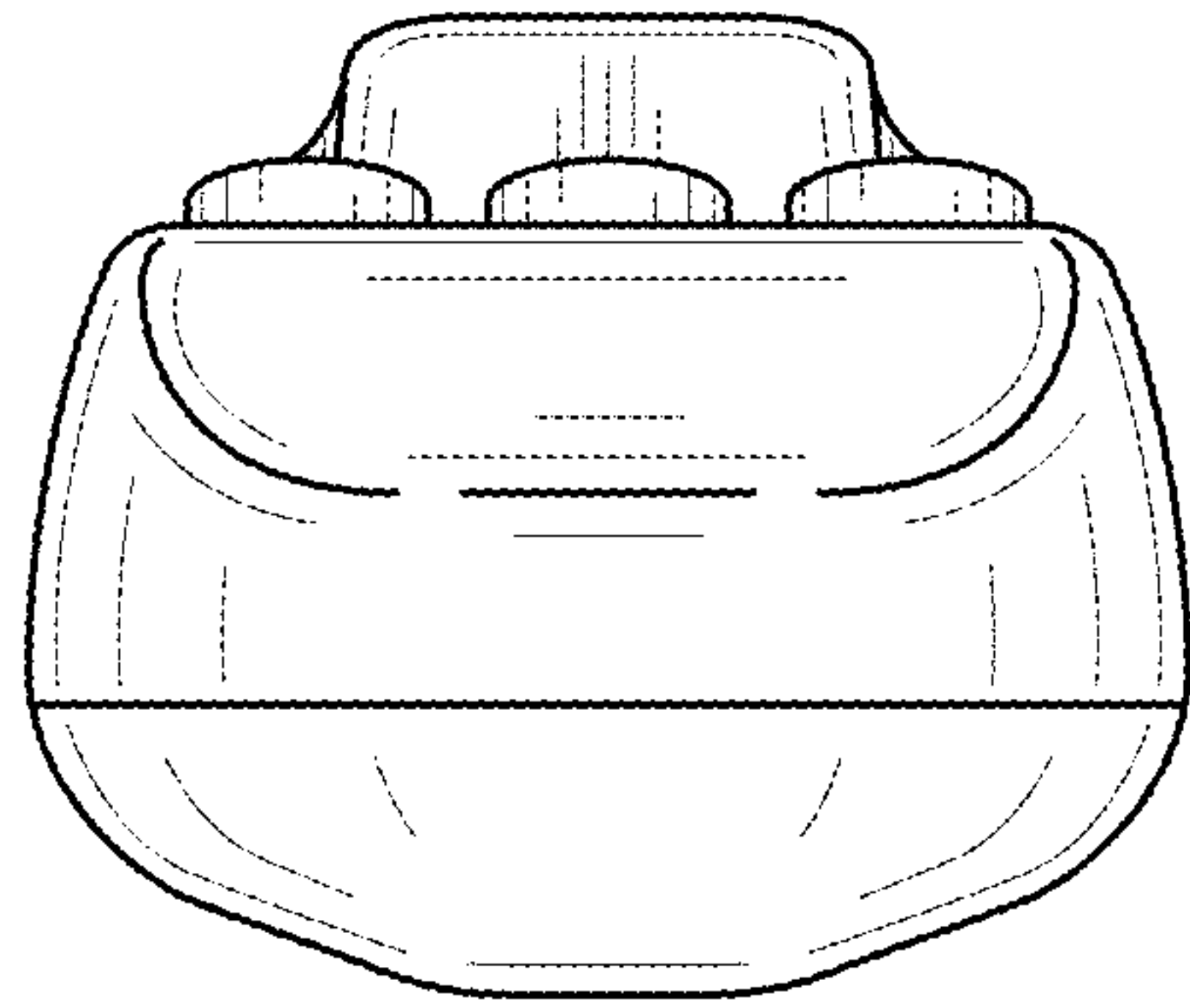


FIG. 6

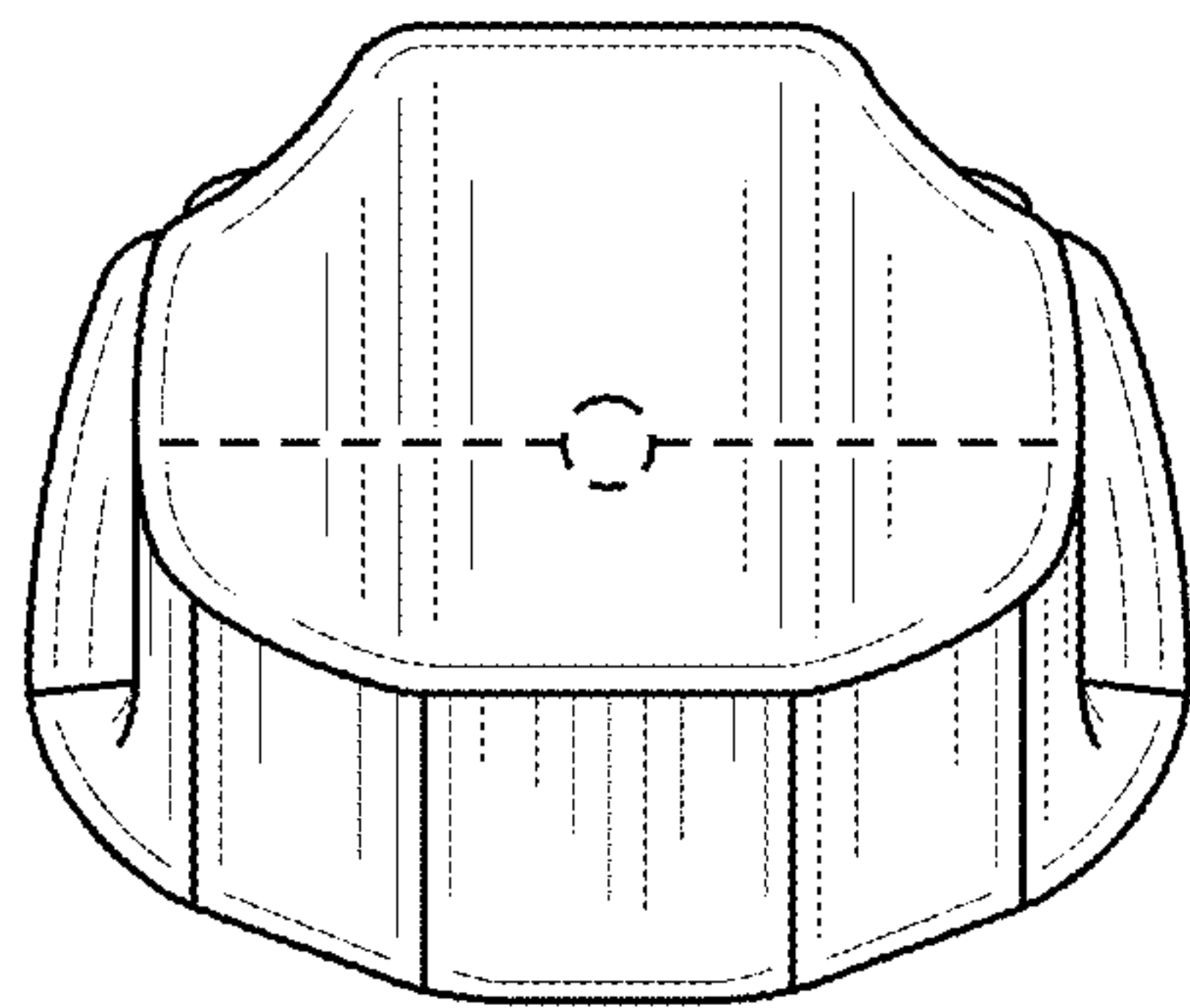


FIG. 7