



US00D809202S

(12) **United States Design Patent**
Reda et al.

(10) **Patent No.:** **US D809,202 S**
(45) **Date of Patent:** **** Jan. 30, 2018**

(54) **CAPSULE CONTAINING WASHING PRODUCTS**

CPC . C11D 17/00; C11D 17/0017; C11D 17/0026;
C11D 17/0047-17/0095; C11D 13/18;
C11D 13/20; C11D 17/02

(71) Applicant: **Reckitt Benckiser Laundry Detergents (No. 1) BV**, Hoofddorp (NL)

See application file for complete search history.

(72) Inventors: **Giorgia Reda**, Granollers (ES);
Remigio Musci, Venice (IT)

(56) **References Cited**

(73) Assignee: **RECKITT BENCKISER LAUNDRY DETERGENTS (NO. 1) BV**, WT Hoofddorp (NL)

U.S. PATENT DOCUMENTS

(**) Term: **15 Years**

D695,451 S *	12/2013	Gerhards	D28/8.1
D735,407 S *	7/2015	Gerhards	D28/8.1
D748,330 S *	1/2016	Gerhards	D28/8.1
D774,249 S *	12/2016	McLenithan	D28/8.1
D783,202 S *	4/2017	Burdeos Andreu	D28/8.1
D796,736 S *	9/2017	Burdeos Andreu	D28/8.1
D797,991 S *	9/2017	Johnson	D28/8.1
2017/0057716 A1 *	3/2017	Fowler	B65D 65/46

(21) Appl. No.: **29/569,658**

* cited by examiner

(22) Filed: **Jun. 29, 2016**

Primary Examiner — Jennifer Rivard

(30) **Foreign Application Priority Data**

(74) *Attorney, Agent, or Firm* — Norris McLaughlin & Marcus PA

Jan. 8, 2016	(EM)	002938332-0001
Jan. 8, 2016	(EM)	002938332-0002
Jan. 8, 2016	(EM)	002938332-0003
Jan. 8, 2016	(EM)	002938332-0004
Jan. 8, 2016	(EM)	002938332-0005
Jan. 8, 2016	(EM)	002938332-0006
Jan. 29, 2016	(EM)	002964155-0001
Jan. 29, 2016	(EM)	002964155-0002
Jan. 29, 2016	(EM)	002964155-0003
Jan. 29, 2016	(EM)	002964155-0004
Jan. 29, 2016	(EM)	002964155-0005
Jan. 29, 2016	(EM)	002964155-0006

(57) **CLAIM**

The ornamental design for a capsule containing washing products, as shown and described.

(51) **LOC (11) Cl.** **28-03**

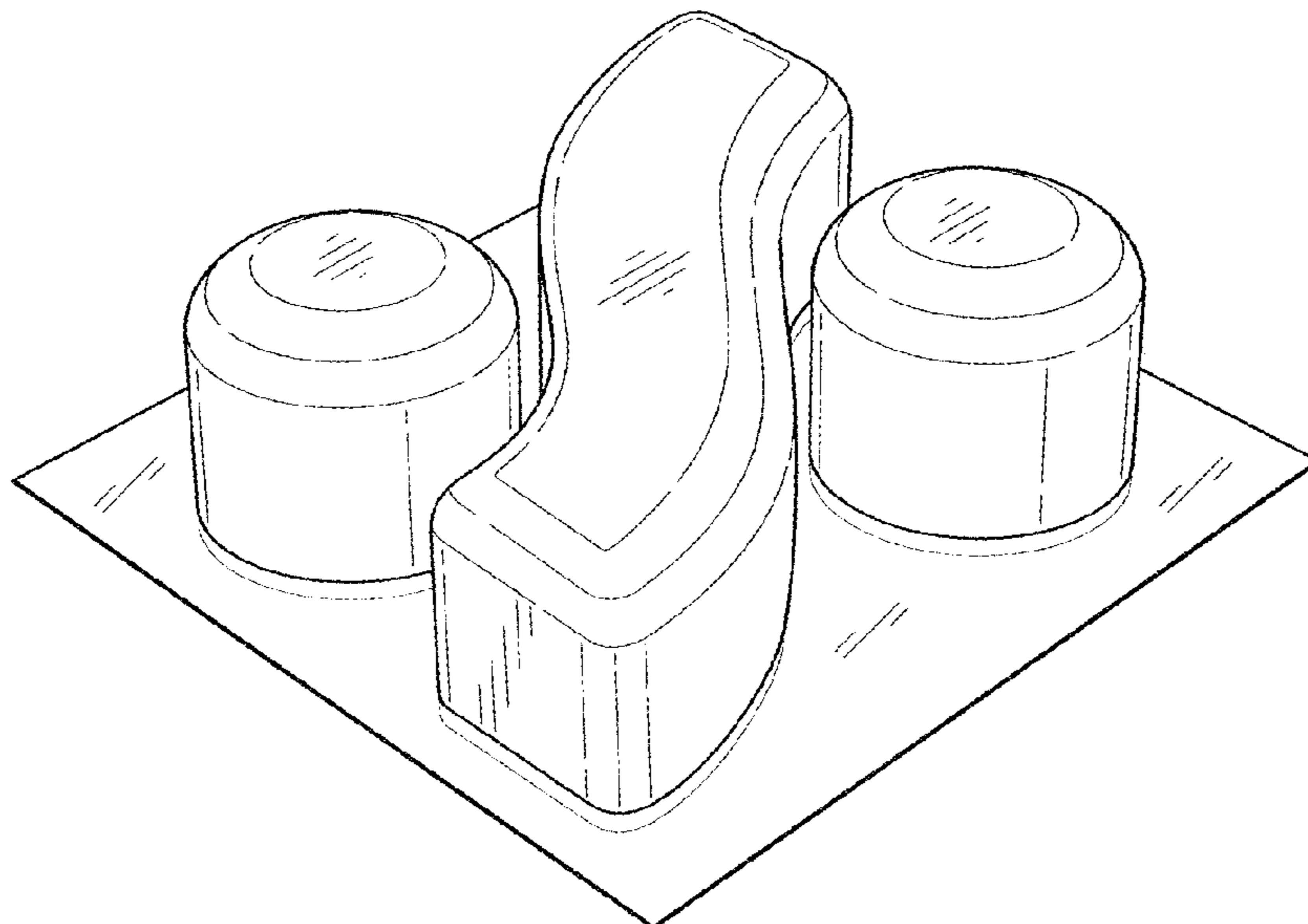
(52) **U.S. Cl.**
USPC **D28/8.1**

DESCRIPTION

FIG. 1 is a frontal perspective view thereof;
FIG. 2 is a front elevational view thereof;
FIG. 3 is a first side elevational view thereof;
FIG. 4 is a rear elevational view thereof;
FIG. 5 is a second side elevational view thereof;
FIG. 6 is a top plan view thereof; and,
FIG. 7 is a bottom plan view thereof.

(58) **Field of Classification Search**
USPC D28/4, 8.1-8.2

1 Claim, 3 Drawing Sheets



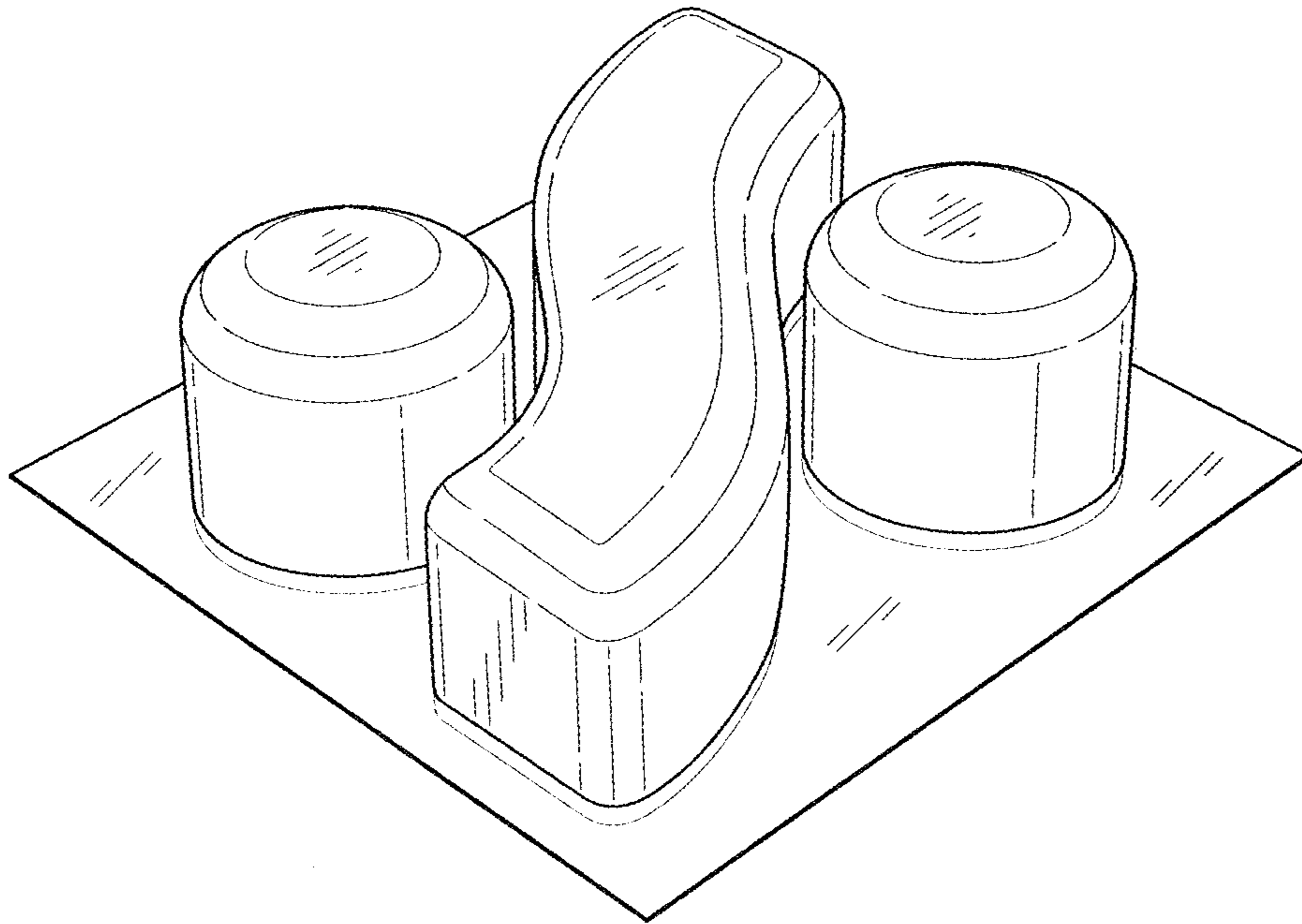


Fig. 1

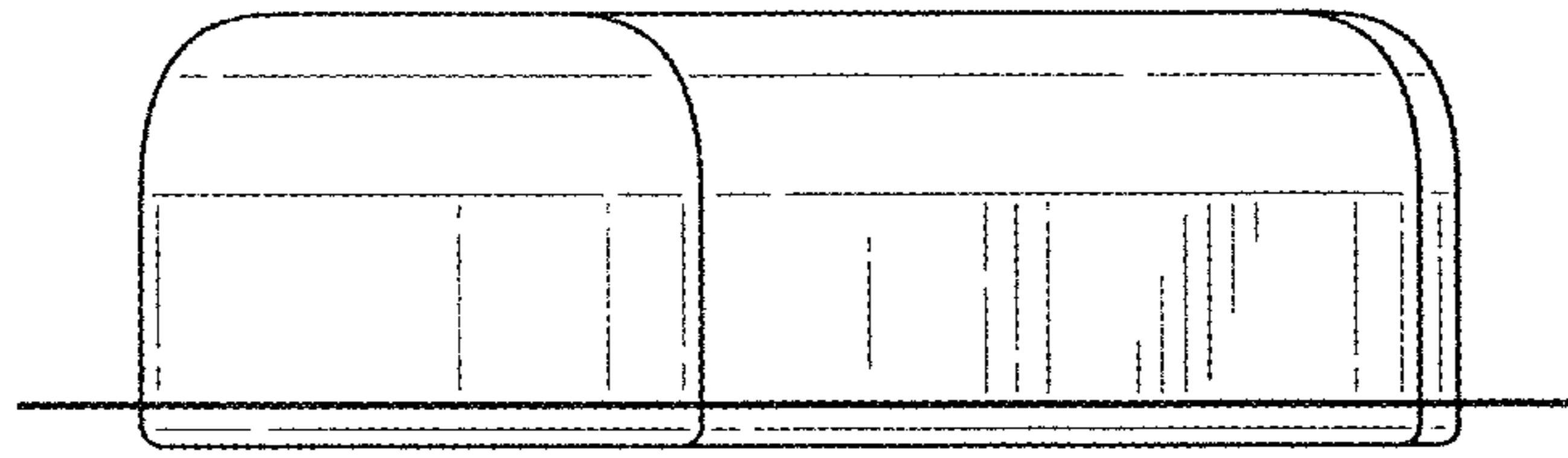


Fig. 2

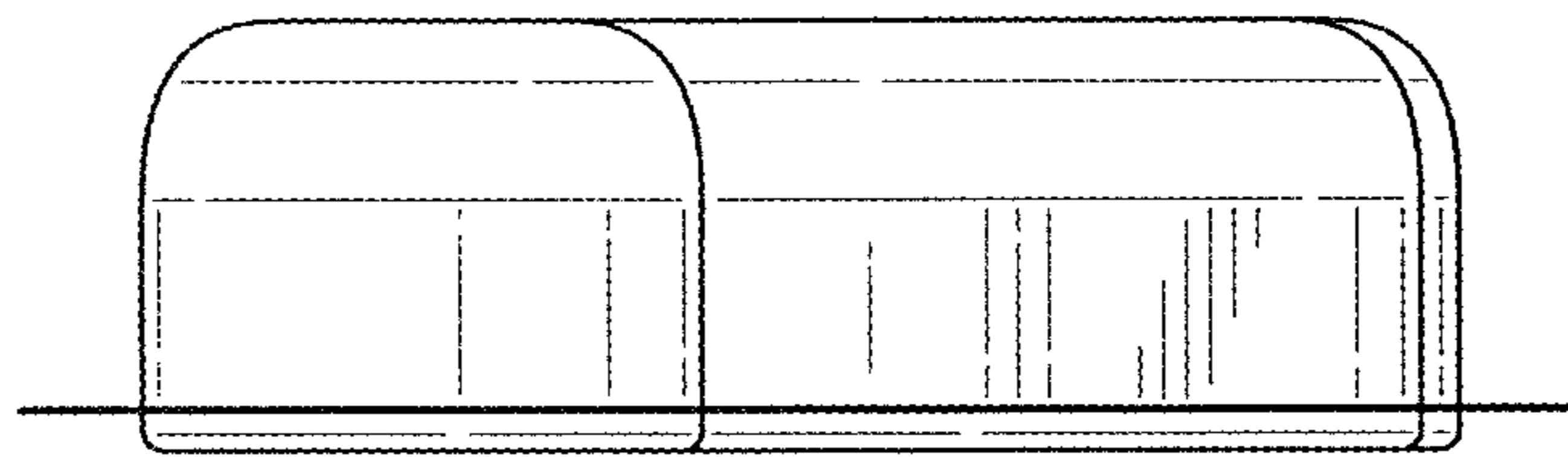


Fig. 3

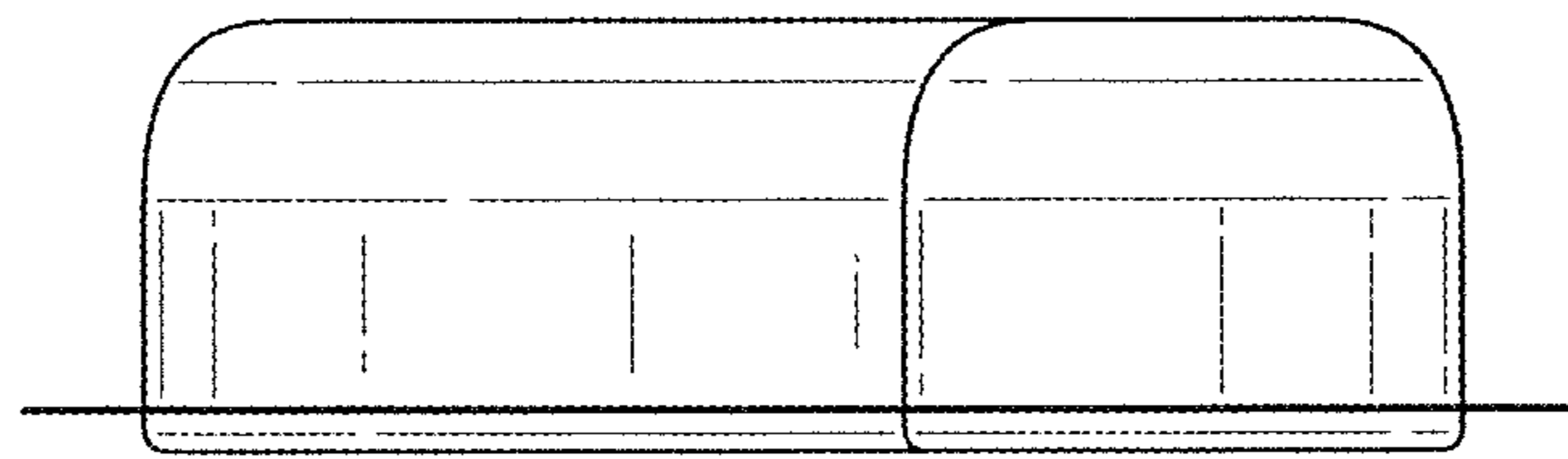


Fig. 4

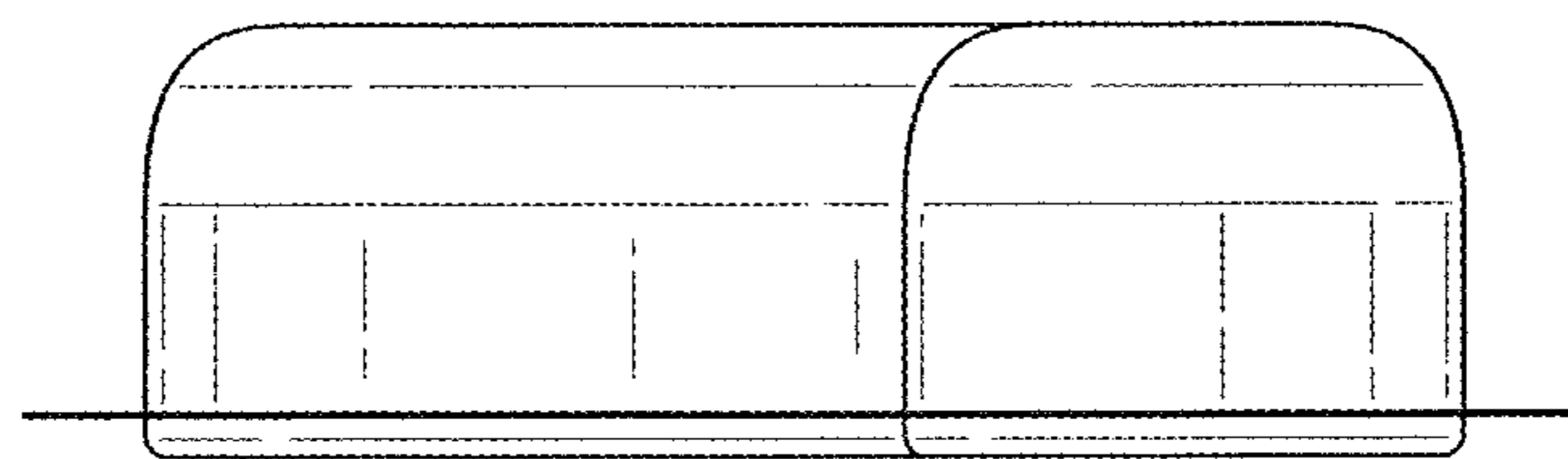


Fig. 5

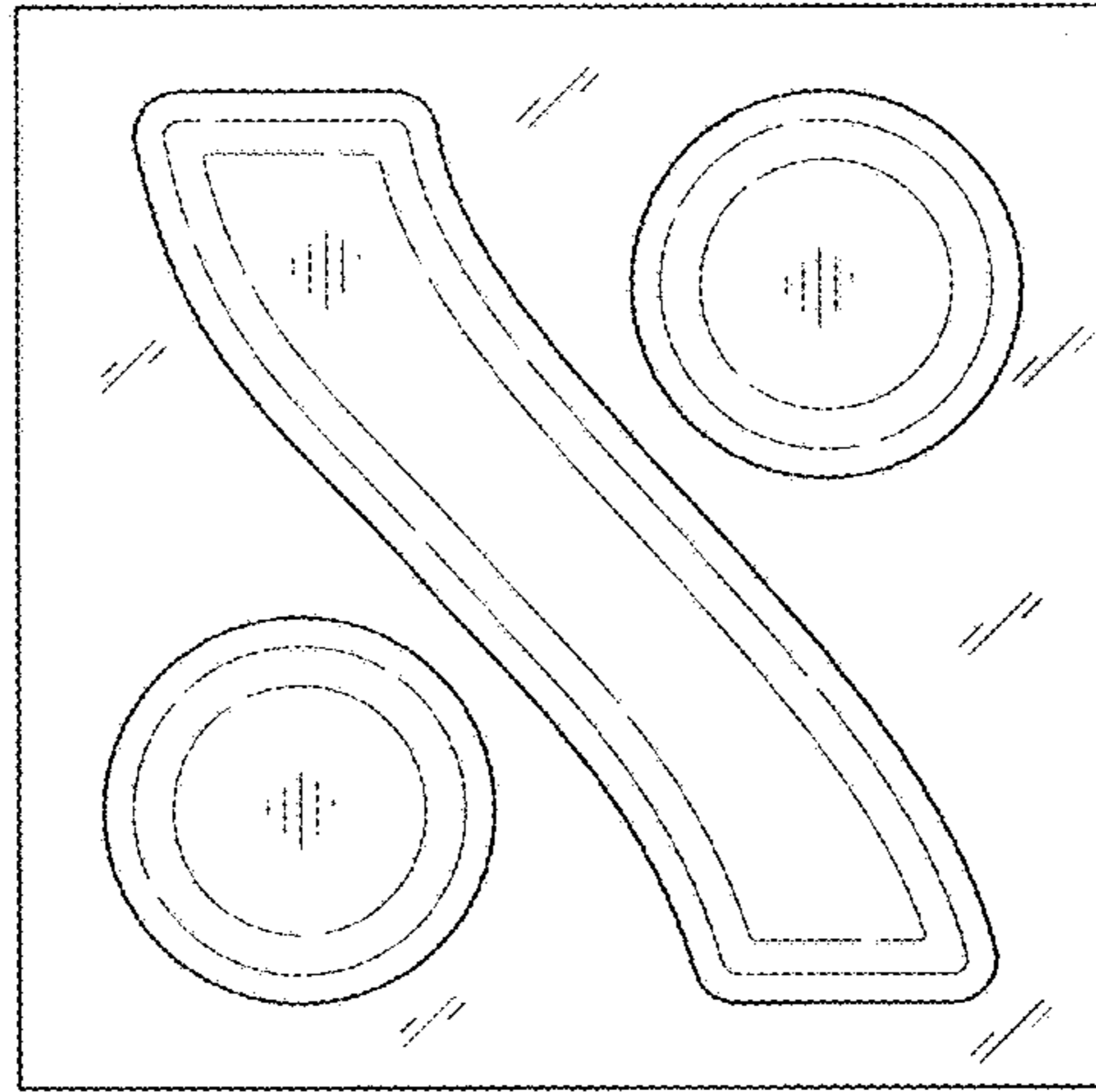


Fig. 6

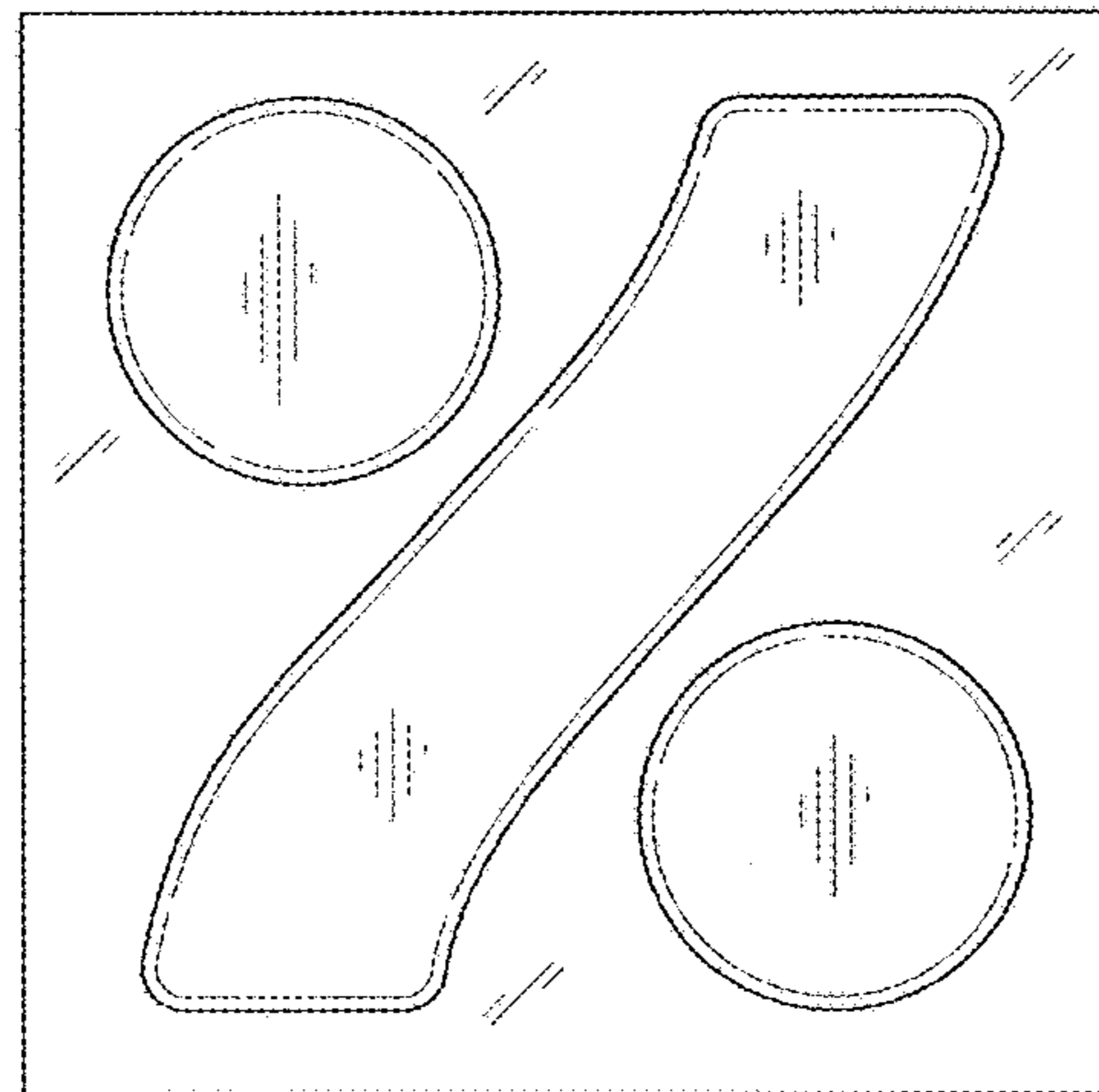


Fig. 7