



US00D809198S

(12) **United States Design Patent**
Zhang et al.

(10) **Patent No.:** **US D809,198 S**
(45) **Date of Patent:** **** Jan. 30, 2018**

(54) **APPLICATOR**

(71) Applicant: **Adhezion Biomedical, LLC**,
Wyomissing, PA (US)
(72) Inventors: **Sheng Zhang**, Hickory, NC (US);
Rafael Ruiz, Sr., Hudson, NC (US);
Kelsey Moylan, Granite Falls, NC
(US); **Nastassia Price**, Lenoir, NC (US)
(73) Assignee: **Adhezion Biomedical, LLC**,
Wyomissing, PA (US)

(**) Term: **15 Years**

(21) Appl. No.: **29/585,824**

(22) Filed: **Nov. 29, 2016**

(51) **LOC (11) Cl.** **28-02**

(52) **U.S. Cl.**
USPC **D28/7**

(58) **Field of Classification Search**
USPC D28/7, 8, 85, 82, 83; D4/105, 108, 118,
D4/116, 112, 137; D8/300, 307, 310;
D9/723, 724, 725; 15/105, 105.52,
15/105.53, 106, 110, 111, 167.1; 132/137
CPC A45D 2200/10; A45D 2200/1009; A45D
2200/1018; A45D 2200/111036; A45D
2200/1063; A45D 40/262; A61M 35/00;
A61M 35/003

See application file for complete search history.

(56) **References Cited**

U.S. PATENT DOCUMENTS

D269,811 S * 7/1983 Kaufman D21/400
D305,369 S * 1/1990 Gavin D28/7

D573,304 S * 7/2008 Tsauro D28/7
D573,753 S * 7/2008 Tsauro D28/7
D641,932 S * 7/2011 Poletto D28/7
D664,251 S * 7/2012 Ruiz, Sr. D24/133
D669,981 S * 10/2012 Ruiz, Sr. D24/133
D669,982 S * 10/2012 Ruiz, Sr. D24/133
D686,366 S * 7/2013 Ruiz, Sr. D28/7
D692,179 S * 10/2013 Stadlbauer D28/7
D694,951 S * 12/2013 Solomon, Jr. D28/7
D756,127 S * 5/2016 Nicoline D28/7
D787,743 S * 5/2017 Rosenthal D28/7
D787,835 S * 5/2017 Lim D4/135

* cited by examiner

Primary Examiner — Susan Bennett Hattan

Assistant Examiner — Rebecca Tsehaye

(74) *Attorney, Agent, or Firm* — Stradley Ronon Stevens
& Young, LLP

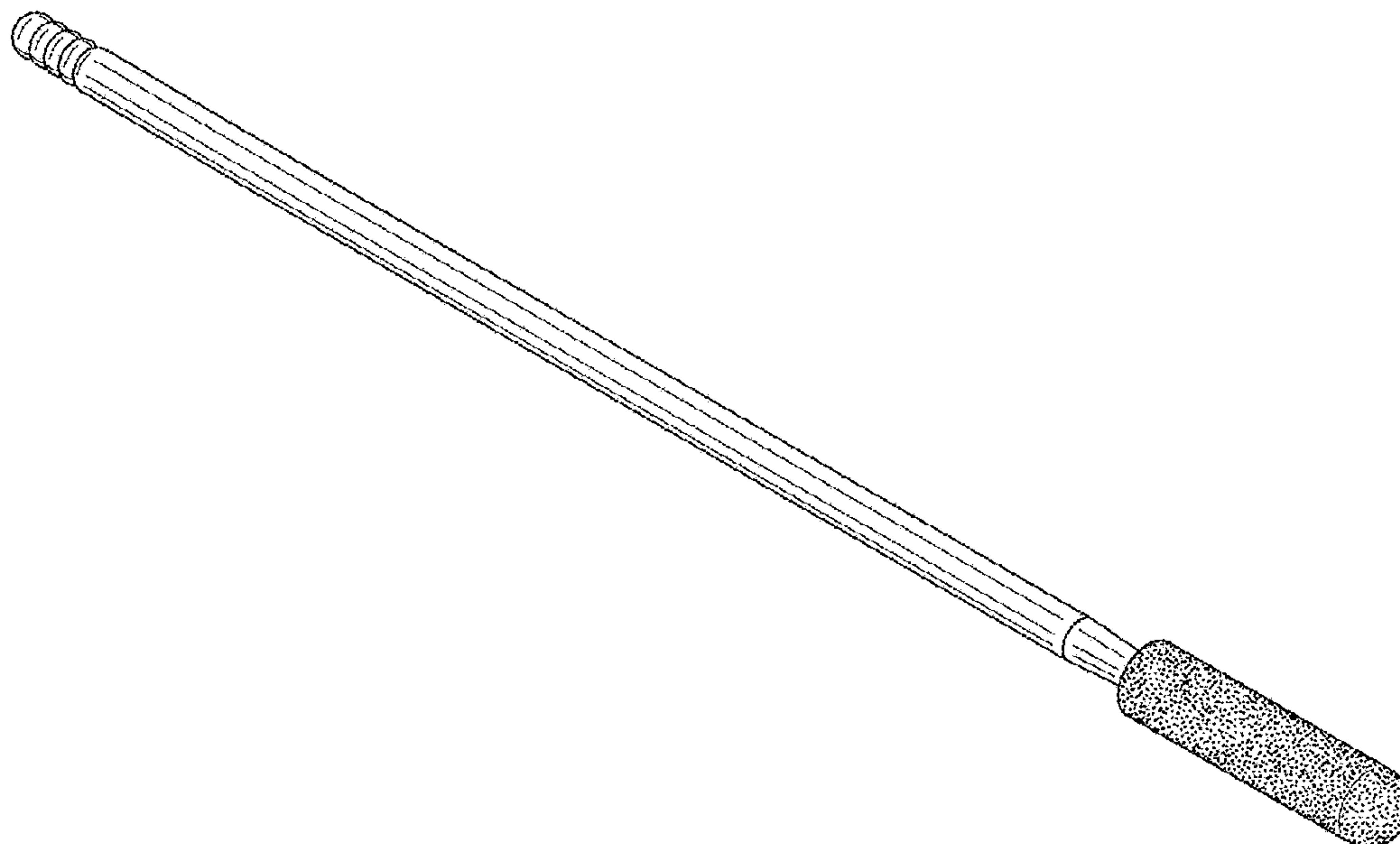
(57) **CLAIM**

The ornamental design for an applicator, substantially as shown and described.

DESCRIPTION

FIG. 1 shows a perspective view of the applicator;
FIG. 2 shows another perspective view of the applicator;
FIG. 3 shows a view of the top, bottom, and sides of the applicator;
FIG. 4 shows a front view of the applicator; and,
FIG. 5 shows a rear view of the applicator.

1 Claim, 4 Drawing Sheets



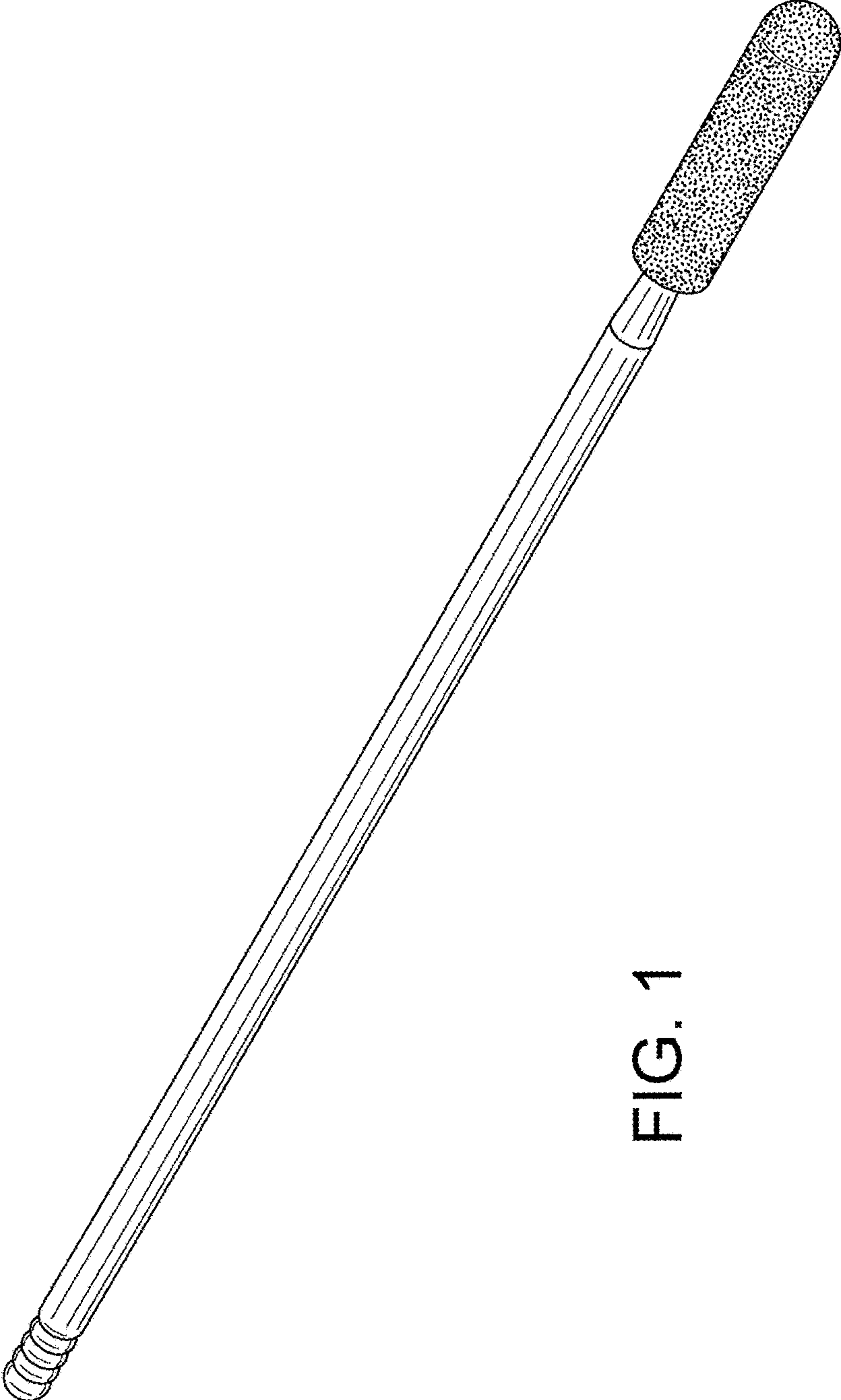


FIG. 1

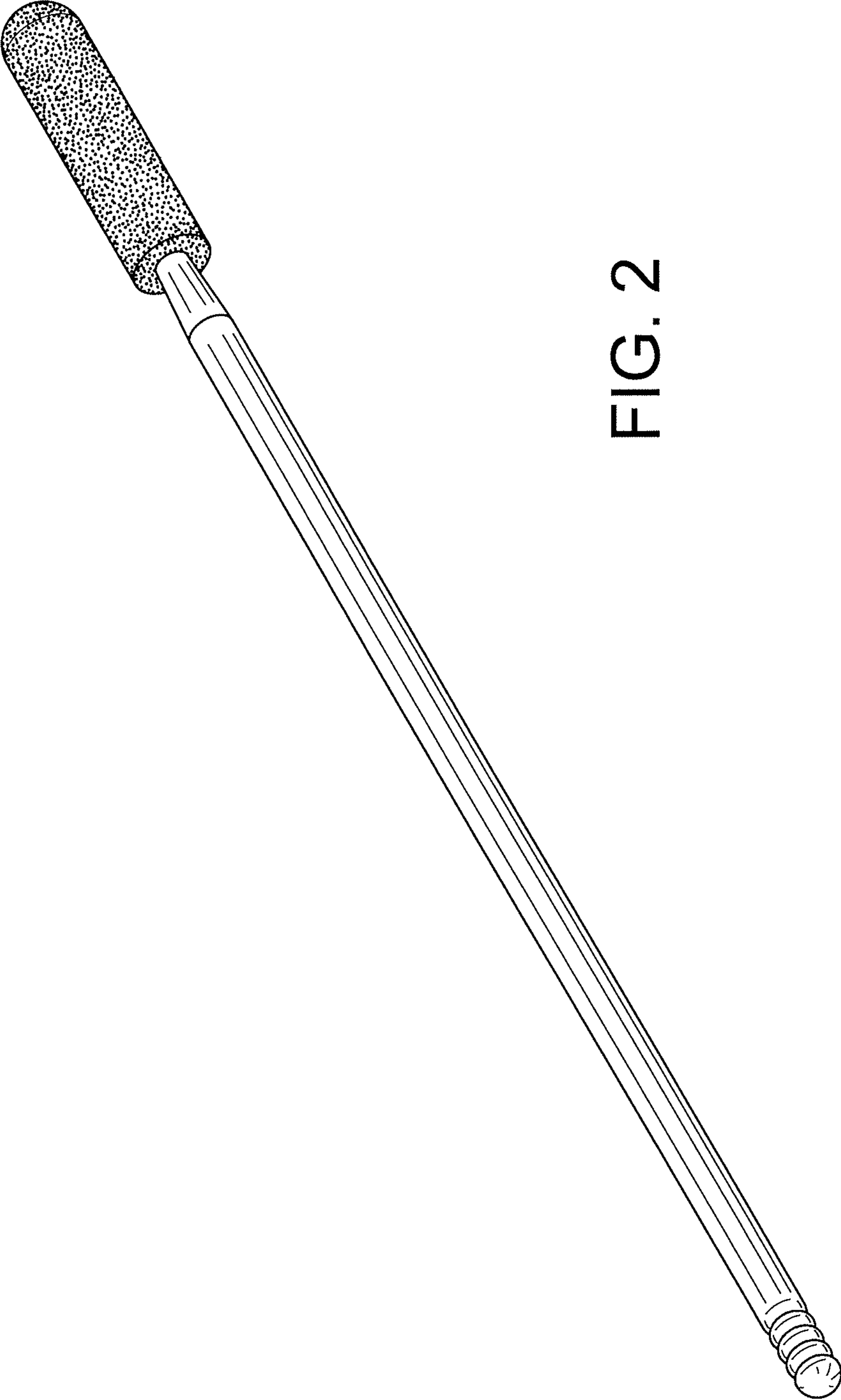


FIG. 2

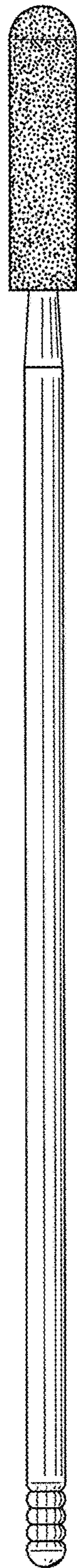


FIG. 3

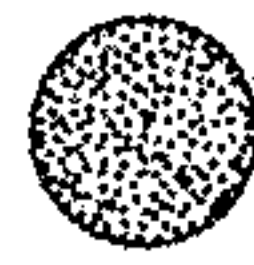


FIG. 4



FIG. 5