



US00D809196S

(12) **United States Design Patent**
Marchica et al.

(10) **Patent No.:** **US D809,196 S**
(45) **Date of Patent:** **** Jan. 30, 2018**

(54) **EYELINER STENCIL**

CPC A45D 40/30; A45D 40/20; A45D 34/04;
A45D 34/042

(71) Applicants: **Paolo Marchica**, Brooklyn, NY (US);
Beth Bender, Los Angeles, CA (US)

See application file for complete search history.

(72) Inventors: **Paolo Marchica**, Brooklyn, NY (US);
Beth Bender, Los Angeles, CA (US)

(56) **References Cited**

(**) Term: **15 Years**

U.S. PATENT DOCUMENTS

(21) Appl. No.: **29/561,912**

D254,935 S *	5/1980	Staudinger	D28/36
D316,312 S *	4/1991	Cordova	D28/7
D341,001 S *	11/1993	Pantages	D28/7
D574,555 S *	8/2008	Yoo	D28/9
D642,332 S *	7/2011	Kim	D28/7
D734,891 S *	7/2015	Sternad	D28/7
2014/0158147 A1	6/2014	Butcher		

(22) Filed: **Apr. 21, 2016**

* cited by examiner

Related U.S. Application Data

(63) Continuation-in-part of application No. 29/522,902, filed on Apr. 3, 2015, now Pat. No. Des. 765,312, and a continuation-in-part of application No. 29/522,898, filed on Apr. 3, 2015, now Pat. No. Des. 765,909, and a continuation-in-part of application No. 29/520,792, filed on Mar. 18, 2015, now Pat. No. Des. 765,311, and a continuation-in-part of application No. 29/520,791, filed on Mar. 18, 2015, now Pat. No. Des. 765,310, and a continuation-in-part of application No. 29/520,790, filed on Mar. 18, 2015, now Pat. No. Des. 775,763, and a continuation-in-part of application No. 29/507,114, filed on Oct. 23, 2014, now Pat. No. Des. 758,007, said application No. 29/520,790 is a continuation-in-part of application No. 14/243,877, filed on Apr. 2, 2014, now abandoned.

Primary Examiner — Zenia Bennett

(74) *Attorney, Agent, or Firm* — Kevin Keener; Keener and Associates, P.C.

(51) **LOC (11) Cl.** **28-03**

(57) **CLAIM**

The ornamental design for an eyeliner stencil, as shown and described.

(52) **U.S. Cl.**

USPC **D28/7**

DESCRIPTION

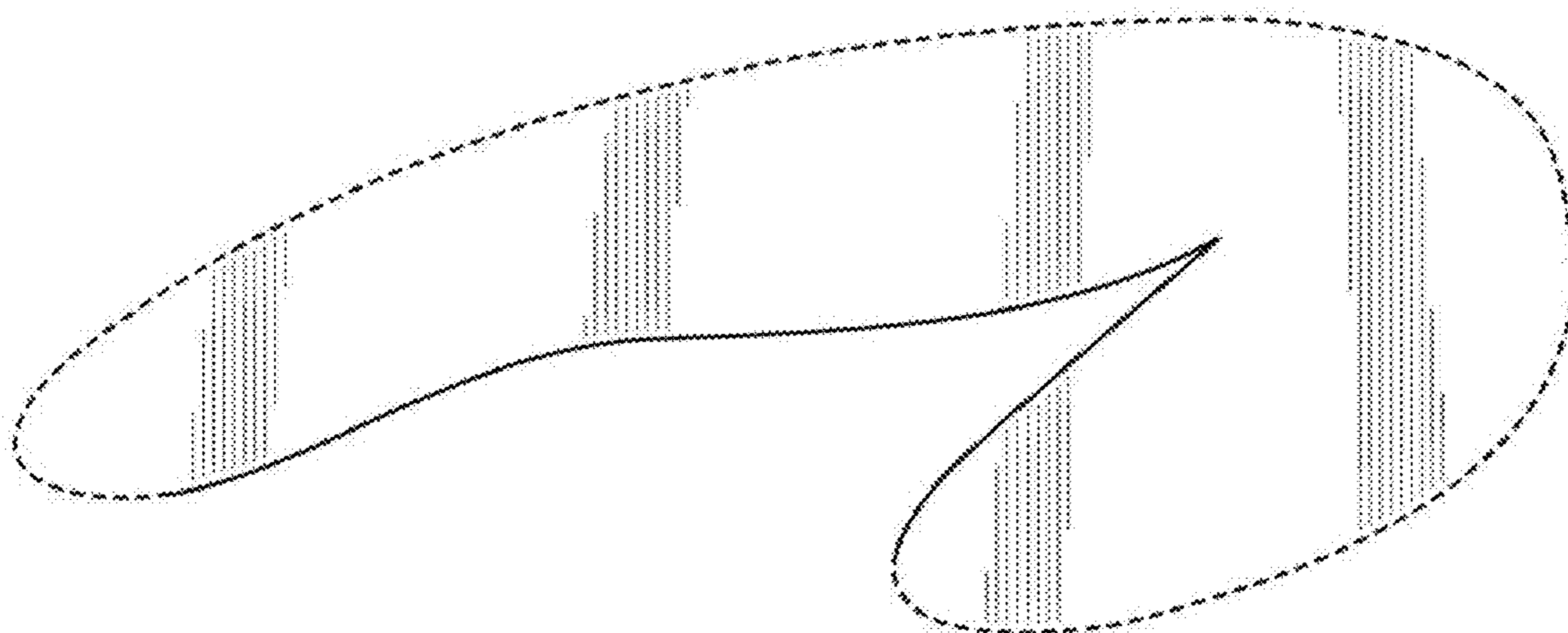
(58) **Field of Classification Search**

USPC D28/4, 7, 9, 99; D19/37, 39, 40

FIG. 1 is a front view of the eyeliner stencil;
FIG. 2 is a bottom view thereof;
FIG. 3 is a top view thereof;
FIG. 4 is a left view thereof; and,
FIG. 5 is a right view thereof.

The broken lines in the drawing are for illustrative purposes only and form no part of the claimed design.

1 Claim, 1 Drawing Sheet



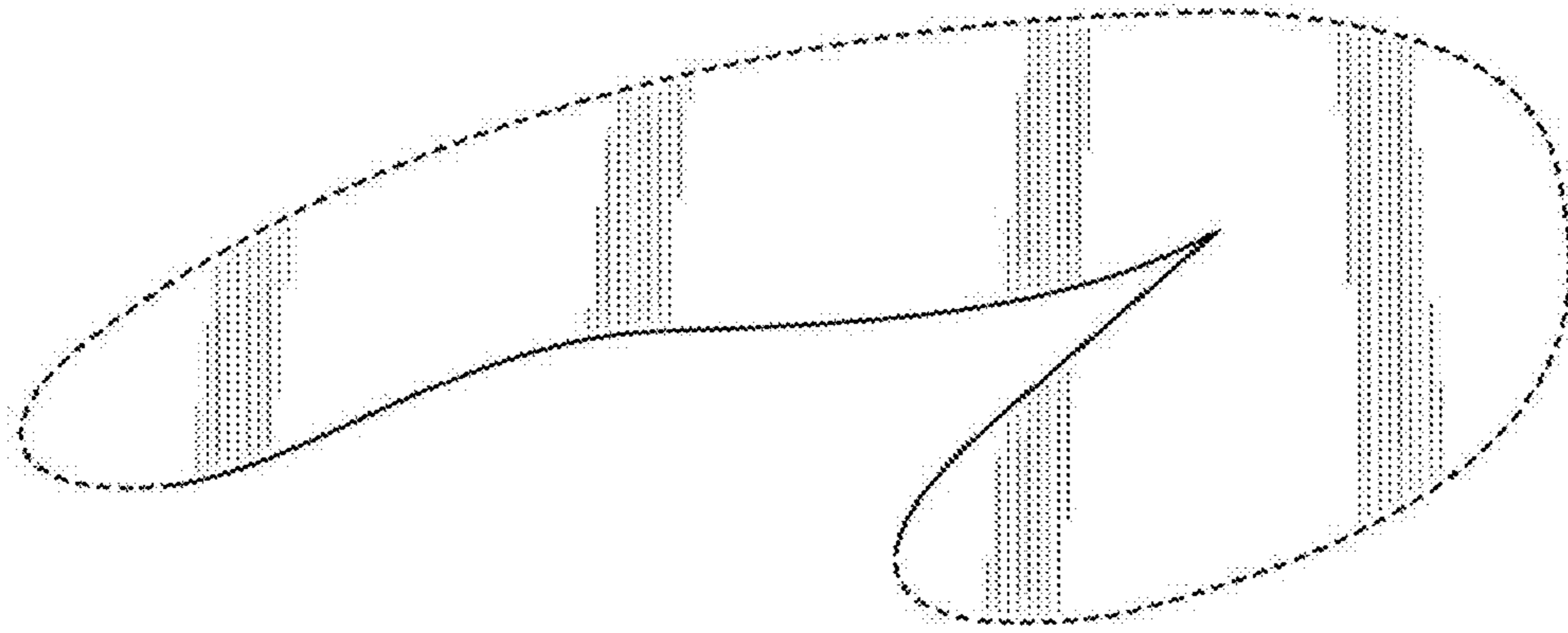


FIG. 1

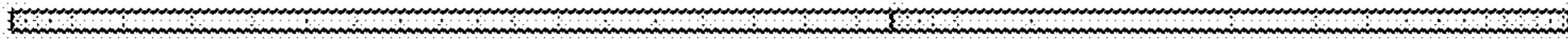


FIG. 2

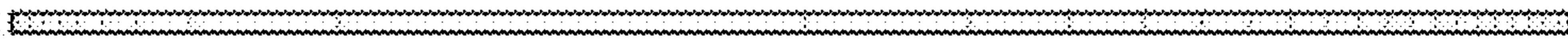


FIG. 3



FIG. 4



FIG. 5