



US00D809195S

(12) **United States Design Patent** (10) **Patent No.:** **US D809,195 S**
Baxter (45) **Date of Patent:** **** Jan. 30, 2018**

(54) **RING FOR HOLDING A CIGARETTE**

FOREIGN PATENT DOCUMENTS

(71) Applicant: **Marc Baxter**, Philadelphia, PA (US)

CN 201073041 Y 6/2008
DE 3309309 A1 9/1984

(72) Inventor: **Marc Baxter**, Philadelphia, PA (US)

(Continued)

(**) Term: **15 Years**

OTHER PUBLICATIONS

(21) Appl. No.: **29/608,751**

“Tongue in Cheek: French Antique Guessing Games & Giveaways,”
[online] <URL: http://web.archive.org/web/20131117181809/http://willows95988.typepad.com/tongue_cheek/challenges/>.

(22) Filed: **Jun. 26, 2017**

Related U.S. Application Data

(62) Division of application No. 29/525,524, filed on Apr. 30, 2015, now Pat. No. Des. 794,246.

(51) **LOC (11) Cl.** **27-06**

(52) **U.S. Cl.**
USPC **D27/183**

(58) **Field of Classification Search**

USPC D27/100–112, 120, 125–130, 136, 137,
D27/138, 143, 161, 162–169, 172, 175,
D27/180, 183, 193, 194, 195

CPC A24C 5/44; A24C 5/42; A24C 5/00; A24F
1/30; A24F 13/00; A24F 13/22; A44C
9/0061

See application file for complete search history.

(56) **References Cited**

U.S. PATENT DOCUMENTS

717,281 A 12/1902 Ross
892,812 A 7/1908 Day
1,269,491 A 7/1917 Murray
1,309,707 A 7/1919 Tinnin
1,429,176 A 2/1921 Toennes
1,434,590 A 11/1922 Chafetz
1,529,135 A 3/1925 Kelly
1,641,517 A 9/1927 Yessaian
1,647,322 A 11/1927 Valero
1,864,747 A 6/1932 McAniff

(Continued)

Primary Examiner — Robert M. Spear

Assistant Examiner — Marissa J Cash

(74) *Attorney, Agent, or Firm* — Morgan, Lewis & Bockius LLP

(57) **CLAIM**

The ornamental design for a ring for holding a cigarette, as shown and described.

DESCRIPTION

FIG. 1 is a rear perspective view of a ring for holding a cigarette in accordance with my new design;

FIG. 2 is a right side view of the ring for holding a cigarette shown in FIG. 1;

FIG. 3 is a left side view of the ring for holding a cigarette shown in FIG. 1;

FIG. 4 is a front view of the ring for holding a cigarette shown in FIG. 1;

FIG. 5 is a rear view of the ring for holding a cigarette shown in FIG. 1;

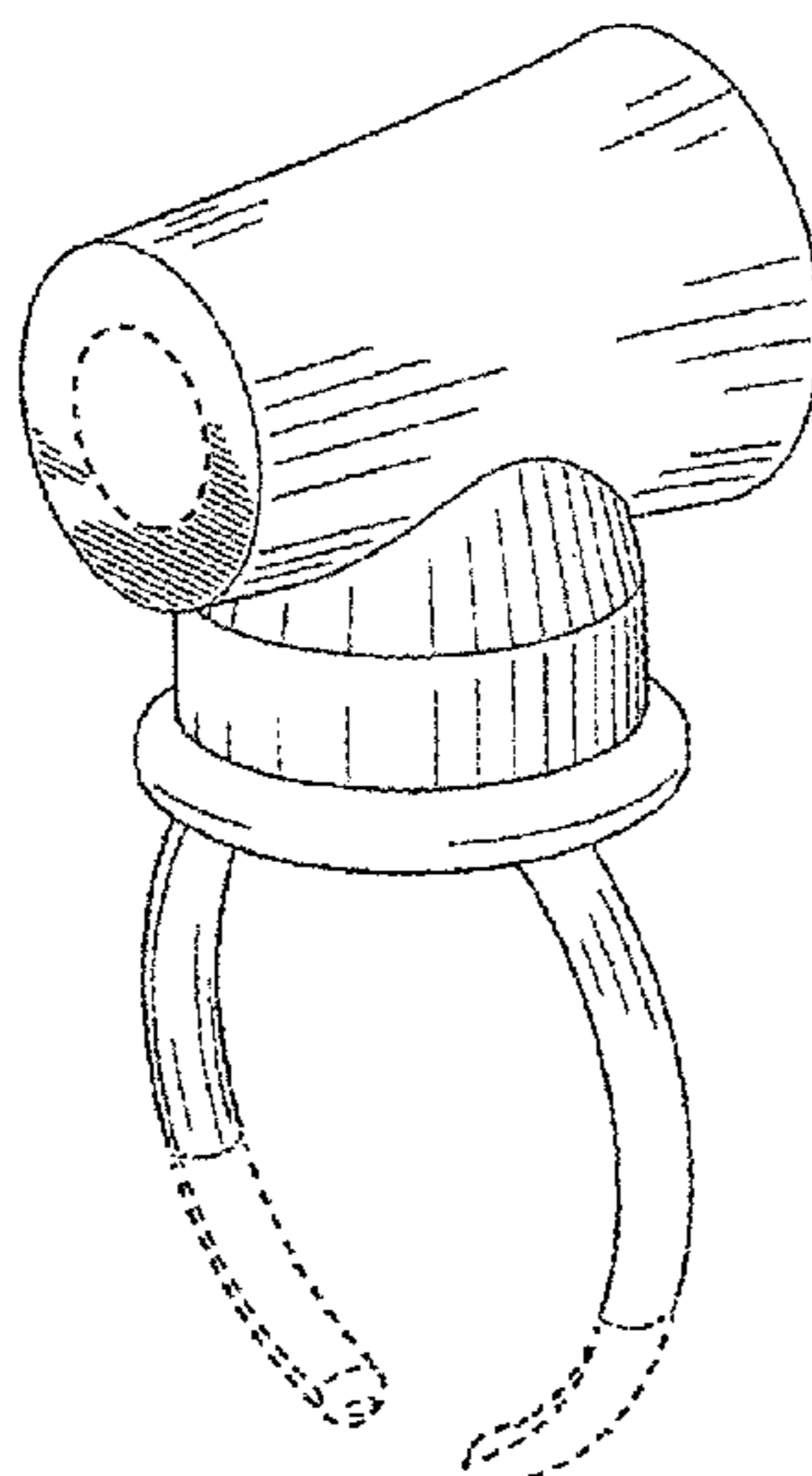
FIG. 6 is a top view of the ring for holding a cigarette shown in FIG. 1;

FIG. 7 is a bottom view of the ring for holding a cigarette shown in FIG. 1; and,

FIG. 8 is a front perspective view of the ring for holding a cigarette shown in FIG. 1.

The broken lines shown in the drawings represent portions of the ring for holding a cigarette that form no part of the claimed design.

1 Claim, 5 Drawing Sheets



(56)

References Cited

U.S. PATENT DOCUMENTS

1,893,269	A	1/1933	Burnett	
1,906,267	A	5/1933	Hogg	
1,976,653	A	10/1934	Brueck	
2,021,415	A	11/1935	Gorman	
2,109,609	A	3/1938	Aull	
2,138,983	A	12/1938	Rich, Jr.	
D143,593	S	10/1946	Hollenbeck	
2,506,666	A	5/1950	Graham	
D161,033	S	11/1950	Marcus	
D177,954	S	6/1956	Adams	
2,767,718	A	10/1956	Hedrick	
2,965,107	A	12/1960	Lehv	
3,765,427	A	10/1973	Bell	
3,930,510	A	1/1976	Johnston	
4,553,556	A	11/1985	Lephardt	
D400,298	S *	10/1998	Vignerot	D27/183
D496,500	S	9/2004	Monique	
D604,010	S	11/2009	Borden	
D648,892	S *	11/2011	Cordova	D27/183
D700,396	S *	2/2014	Ahmet	D27/161
D739,074	S	9/2015	Bennett	
2006/0266374	A1	11/2006	Nyborg	
2009/0038627	A1	2/2009	Shitrit	
2016/0106148	A1 *	4/2016	Pierre	A24F 13/22 131/186

FOREIGN PATENT DOCUMENTS

GB	585750	2/1947
GB	602955	6/1948

* cited by examiner

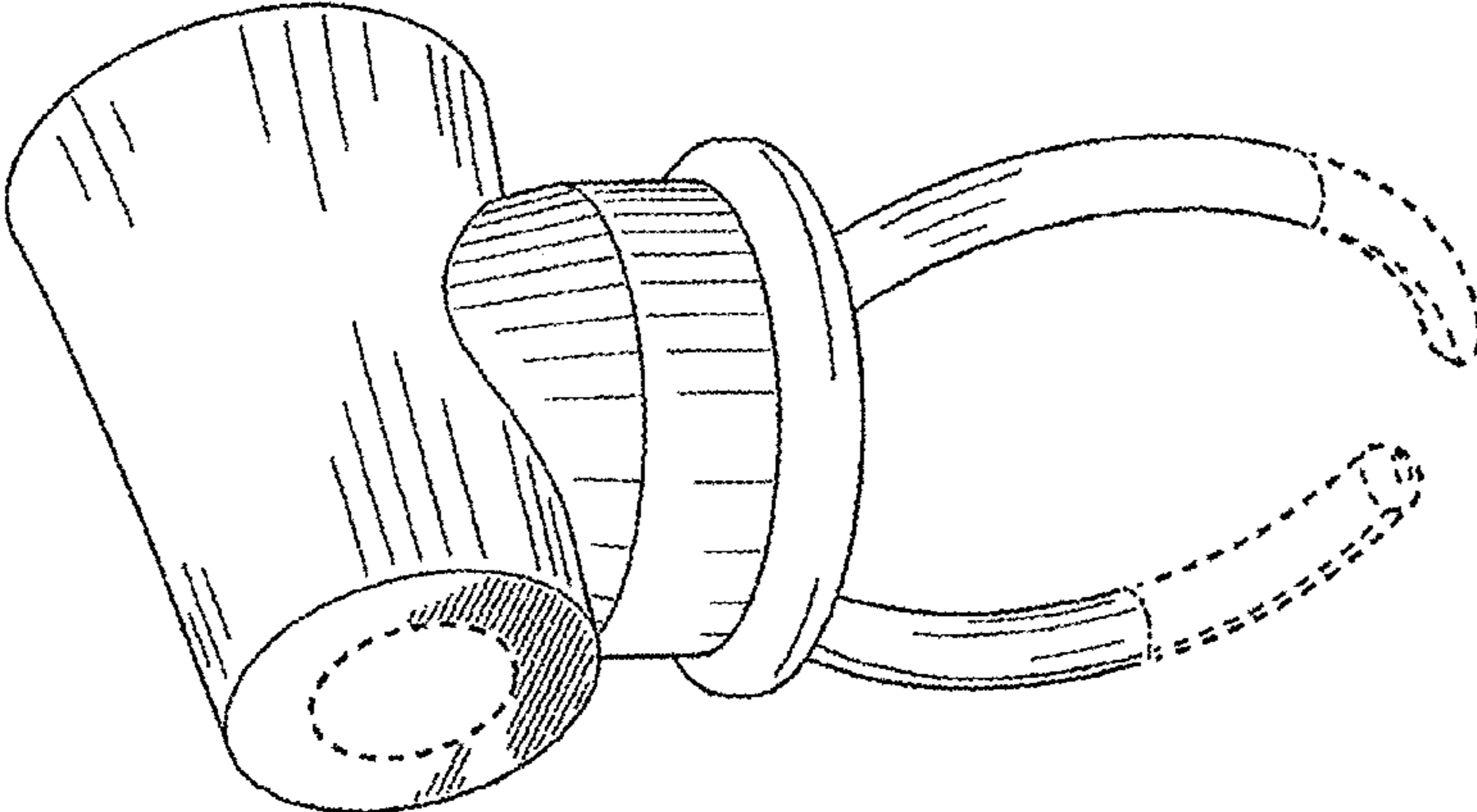


FIG. 1

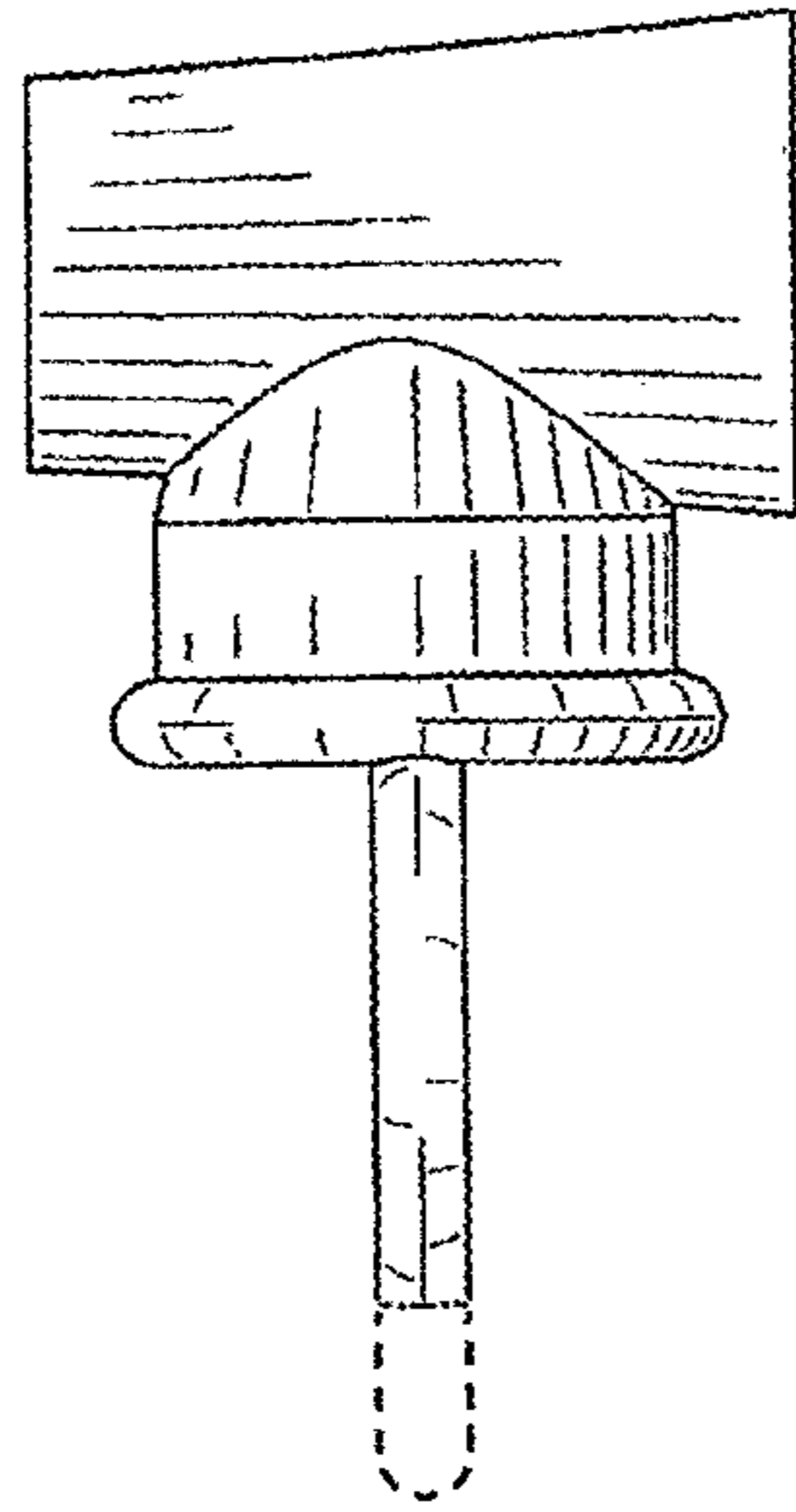


FIG. 2

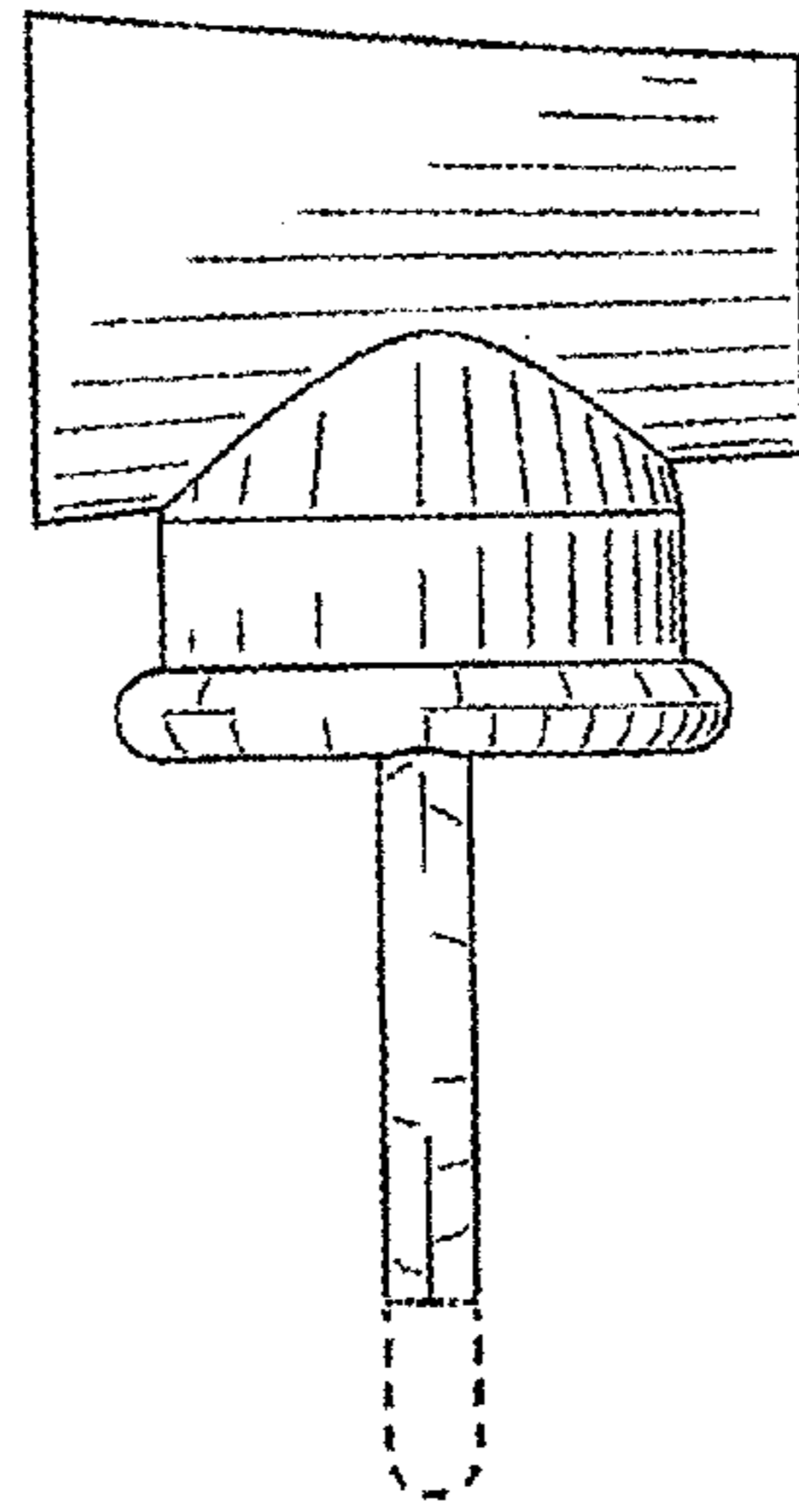


FIG. 3

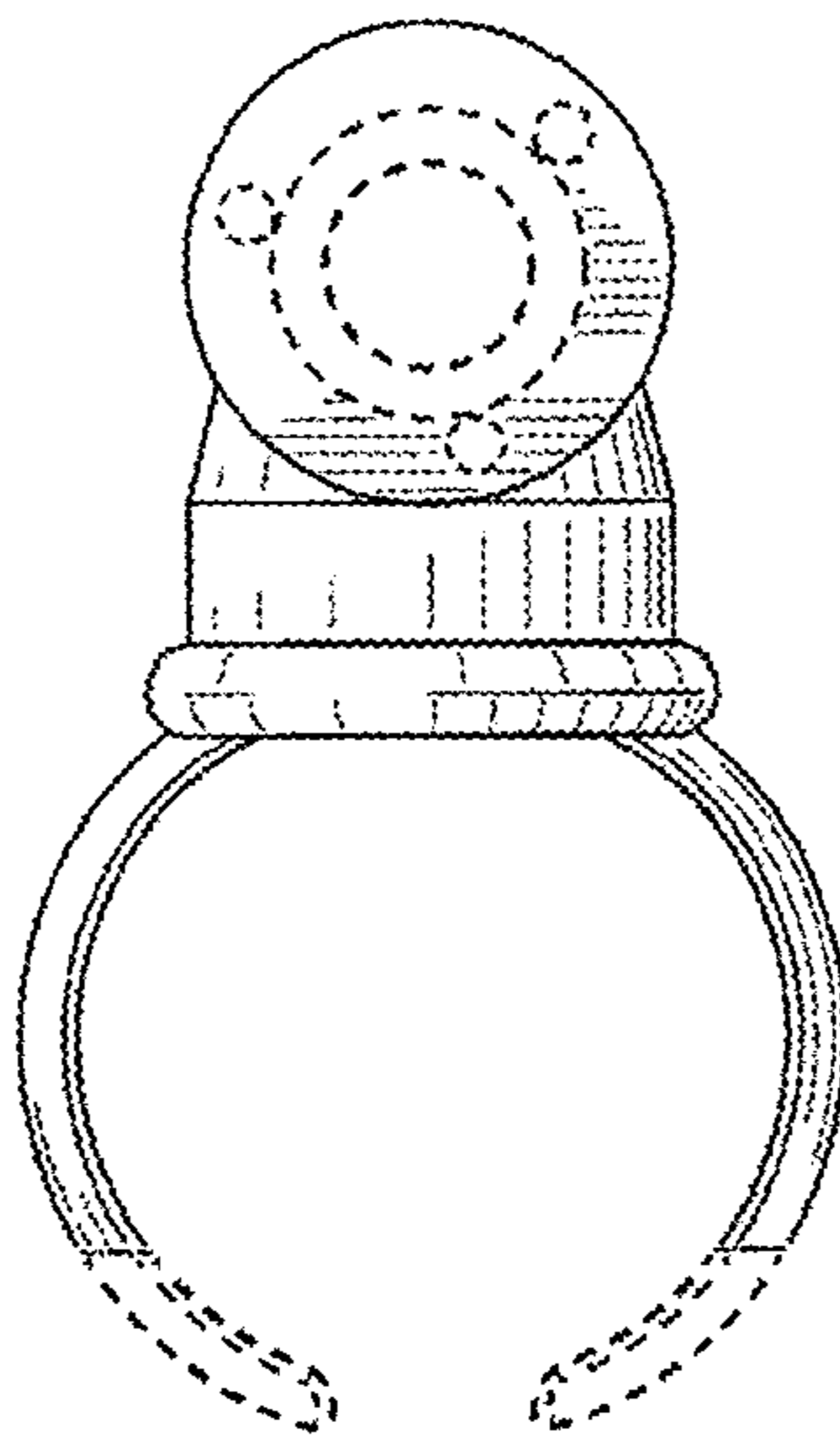


FIG. 4

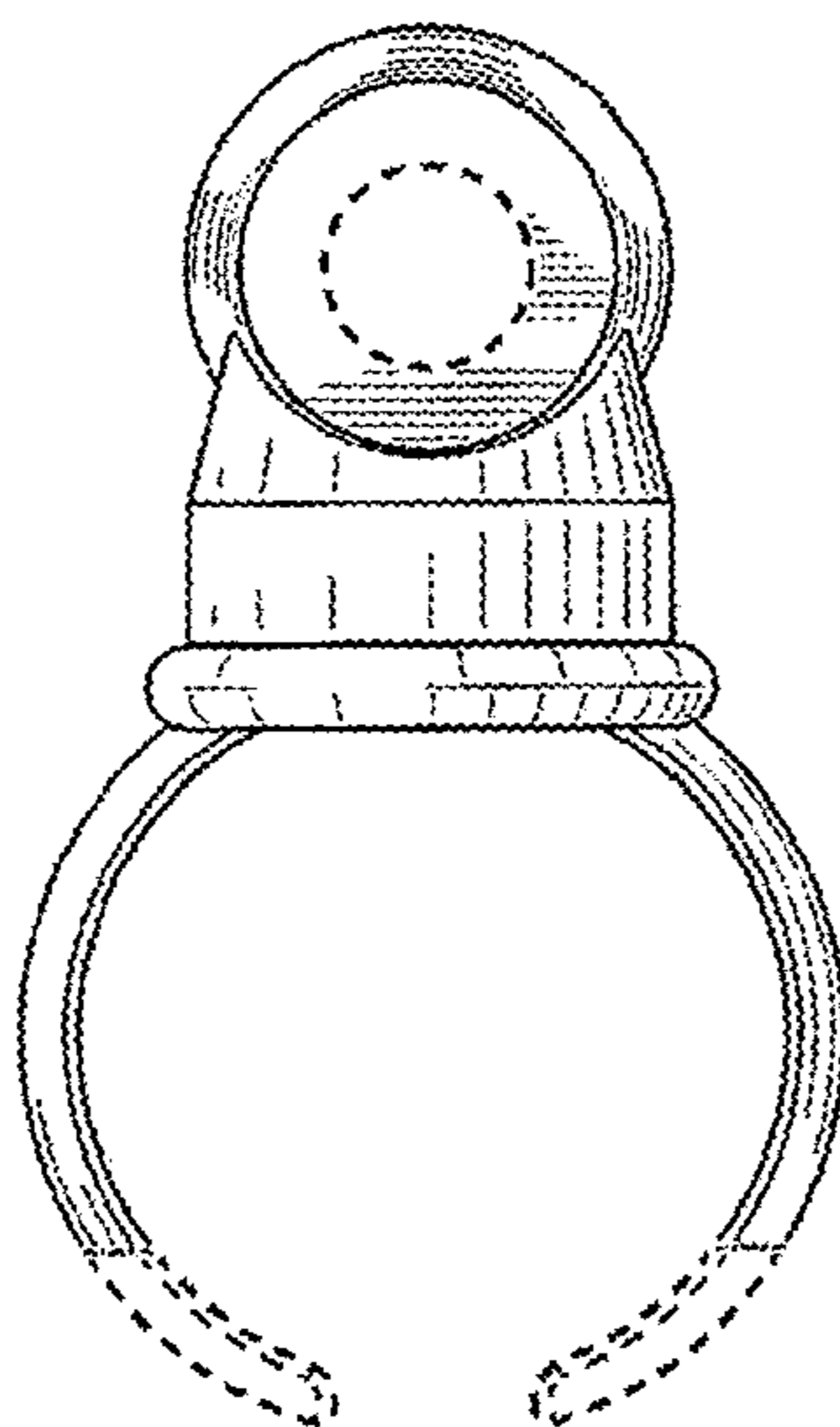


FIG. 5

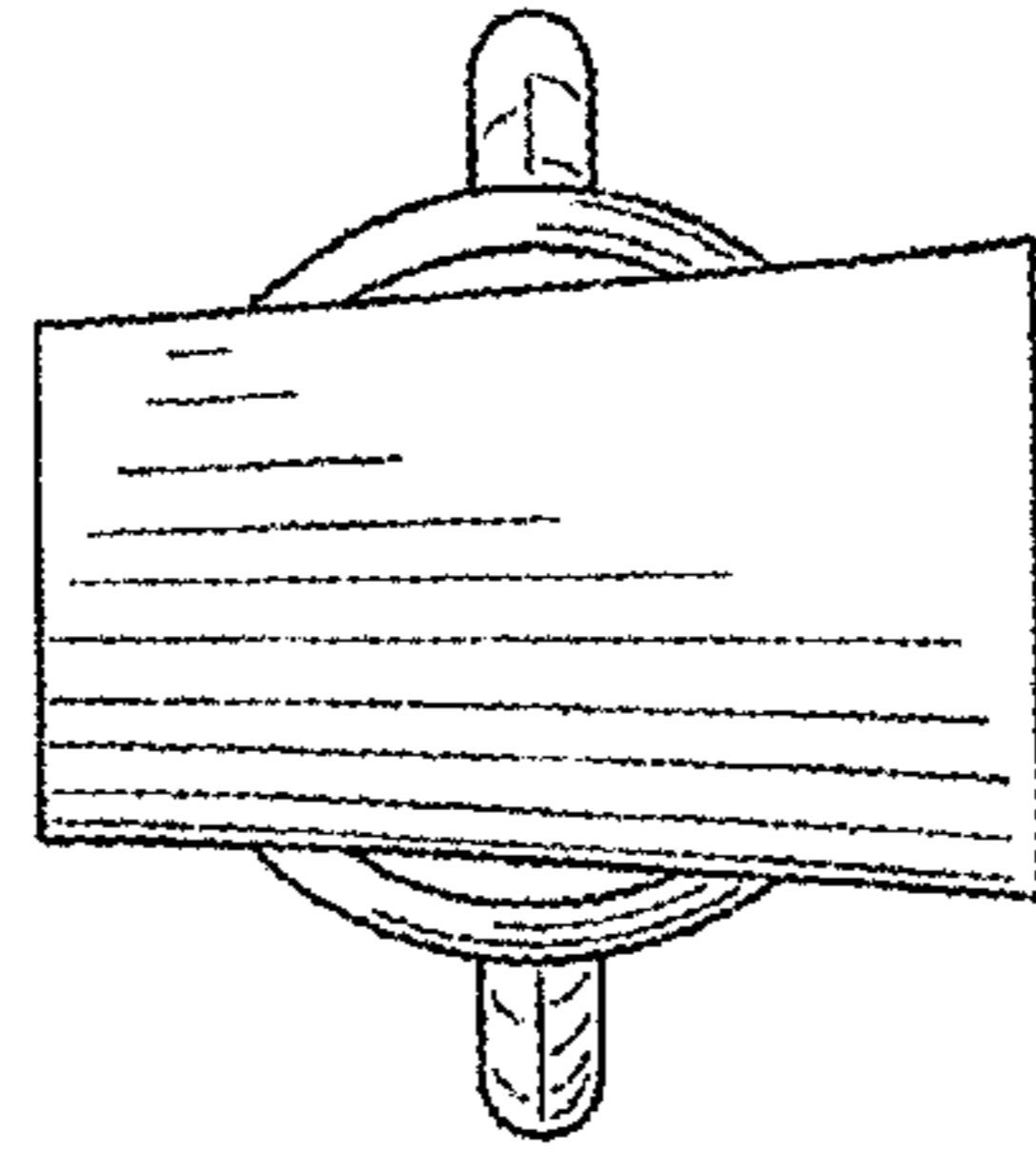


FIG. 6

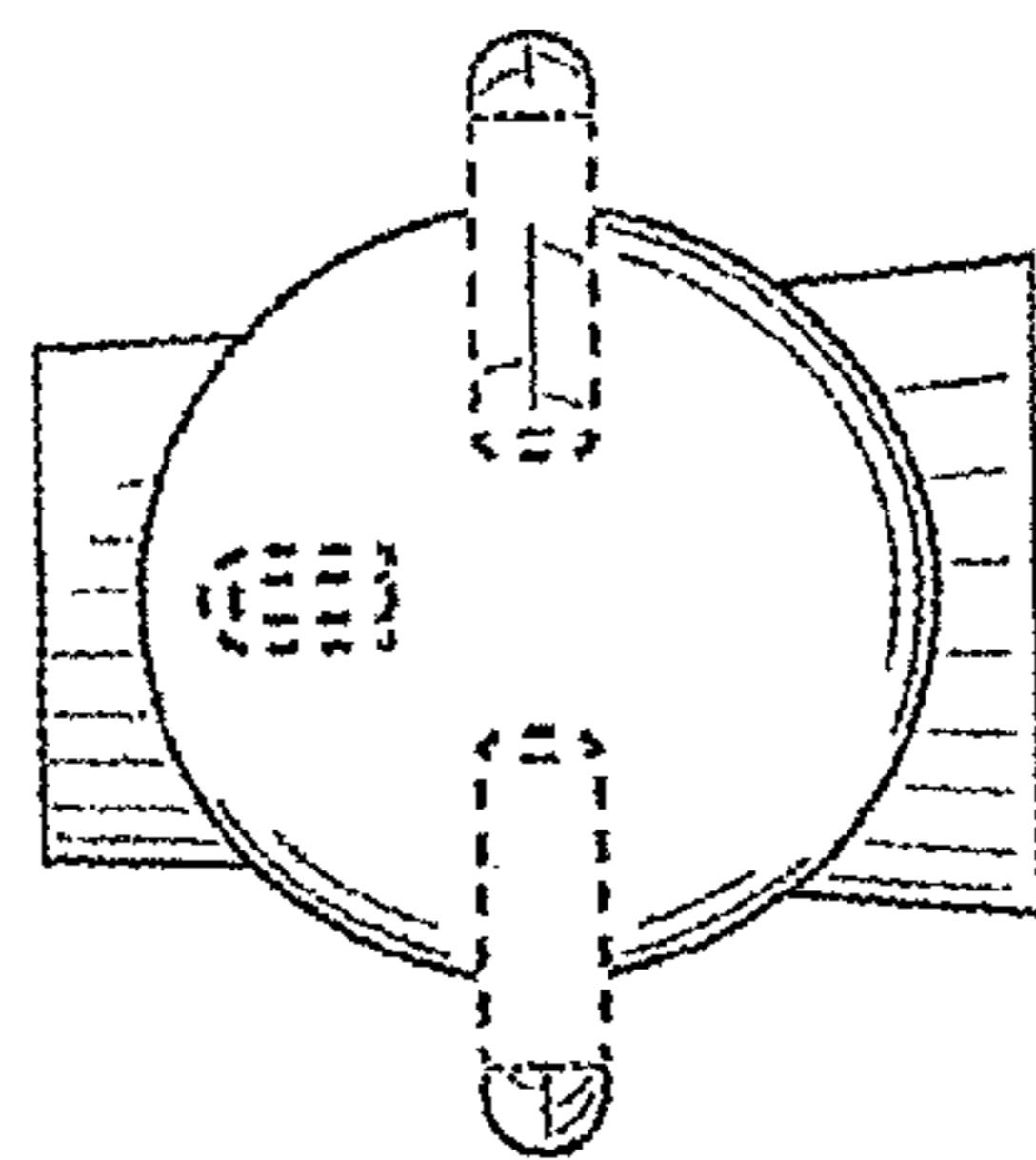


FIG. 7

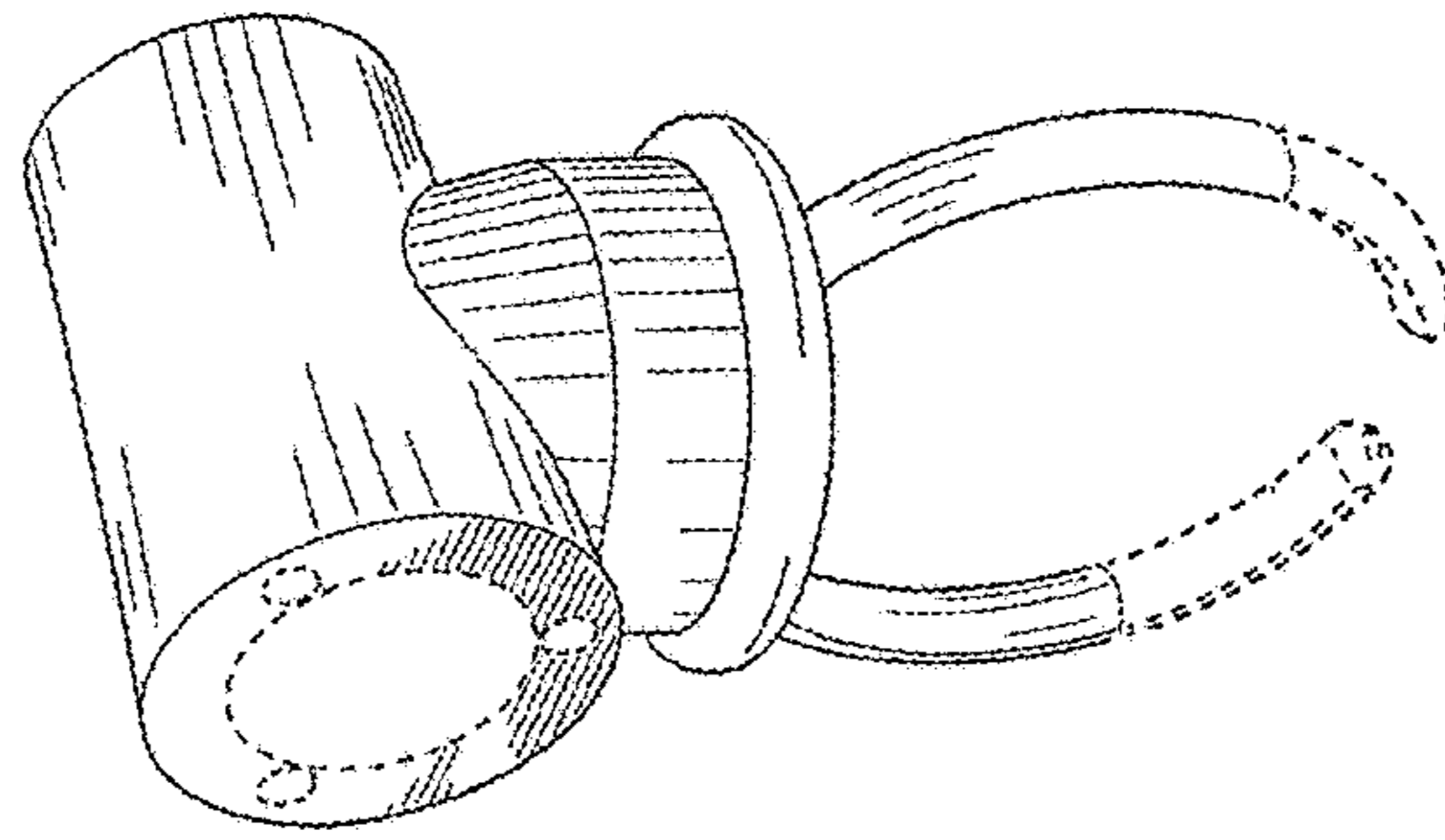


FIG. 8