



US00D809194S

(12) **United States Design Patent**
Falcone

(10) **Patent No.:** **US D809,194 S**
(45) **Date of Patent:** **** Jan. 30, 2018**

(54) **SMOKING ACCESSORY**
(71) Applicant: **Craig Falcone**, Ashaway, RI (US)
(72) Inventor: **Craig Falcone**, Ashaway, RI (US)
(**) Term: **15 Years**
(21) Appl. No.: **29/581,769**
(22) Filed: **Oct. 21, 2016**
(51) **LOC (11) Cl.** **27-06**
(52) **U.S. Cl.**
USPC **D27/172**
(58) **Field of Classification Search**
USPC D27/172-178, 180-183; 248/49, 61, 62,
248/67.7; 131/250, 256-260; D21/771,
D21/423, 698, 680, 683, 684, 694;
482/93, 92, 105
CPC A24F 13/00; A24F 13/02; A24F 13/08;
A24F 13/22; A63B 21/00; A63B 21/0004;
A63B 21/000061
See application file for complete search history.

6,561,466 B1 * 5/2003 Myers F16L 3/221
248/68.1
D597,403 S * 8/2009 Ho D8/356
D618,392 S * 6/2010 LoRe D27/172
D626,285 S * 10/2010 Adame D27/183
D636,119 S * 4/2011 Worlock D27/161
D648,892 S * 11/2011 Cordova D27/183
8,074,945 B2 * 12/2011 Schoenau F16L 3/222
248/316.6
D722,359 S * 2/2015 Hendricks D22/108
D738,569 S * 9/2015 Saide D22/117
D790,127 S * 6/2017 Verleur D27/183

* cited by examiner

Primary Examiner — Susan Bennett Hattan
Assistant Examiner — Rebecca Tsehaye
(74) *Attorney, Agent, or Firm* — Adler Pollock &
Sheehan P.C.; Daniel J. Holmander

(57) **CLAIM**

The ornamental design for a smoking accessory, as shown and described.

DESCRIPTION

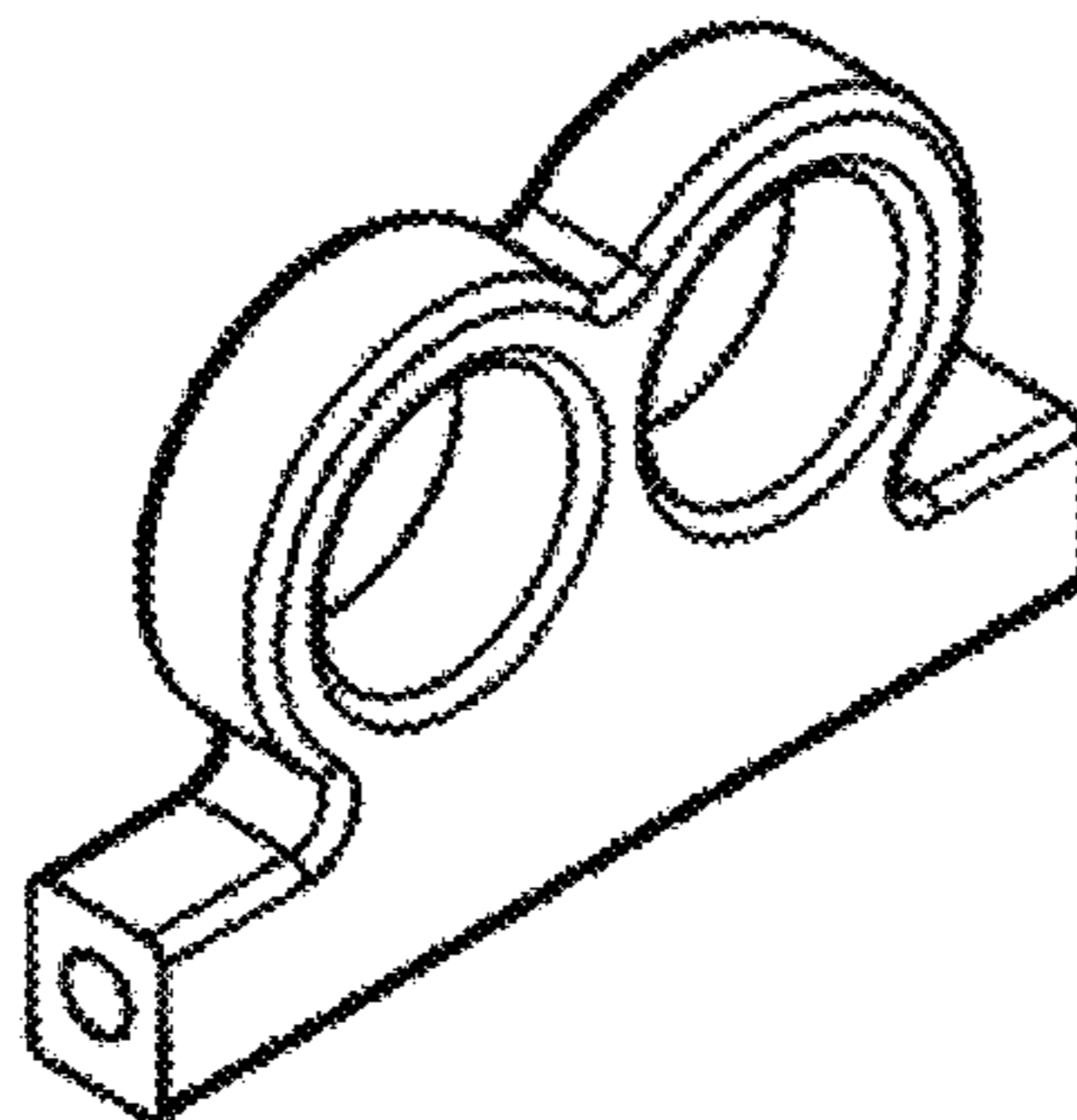
FIG. 1 is a front perspective view of a smoking accessory showing my new design;
FIG. 2 is a rear view of the smoking accessory of FIG. 1.
FIG. 3 is a front view of the smoking accessory of FIG. 1.
FIG. 4 is a top side view of the smoking accessory of FIG. 1.
FIG. 5 is a right side view of the smoking accessory of FIG. 1.
FIG. 6 is a left view of the smoking accessory of FIG. 1; and,
FIG. 7 is a bottom view of the smoking accessory of FIG. 1.

1 Claim, 1 Drawing Sheet

(56) **References Cited**

U.S. PATENT DOCUMENTS

3,105,510 A * 10/1963 Demosthenes A01G 25/00
137/236.1
D400,298 S * 10/1998 Vignerot D27/183
D408,582 S * 4/1999 Varn D27/183
6,109,569 A * 8/2000 Sakaida F16L 3/222
248/316.7
6,318,681 B1 * 11/2001 Vitoorapakorn F16L 3/1233
138/149
6,431,502 B1 * 8/2002 Goodman E21B 17/1035
248/229.14



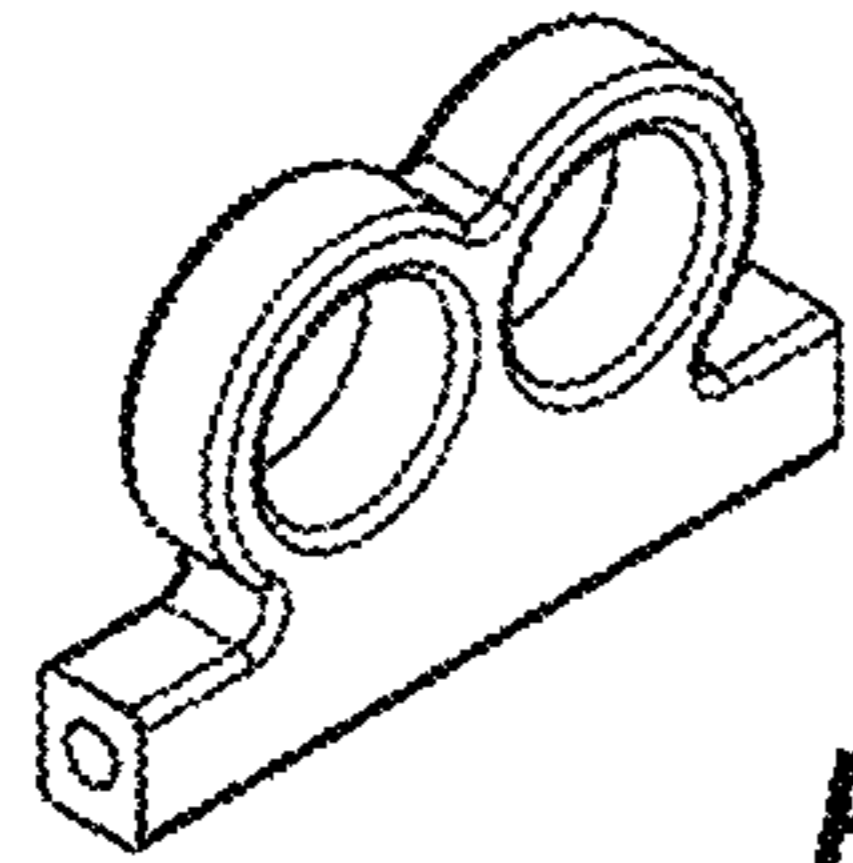


FIG.1

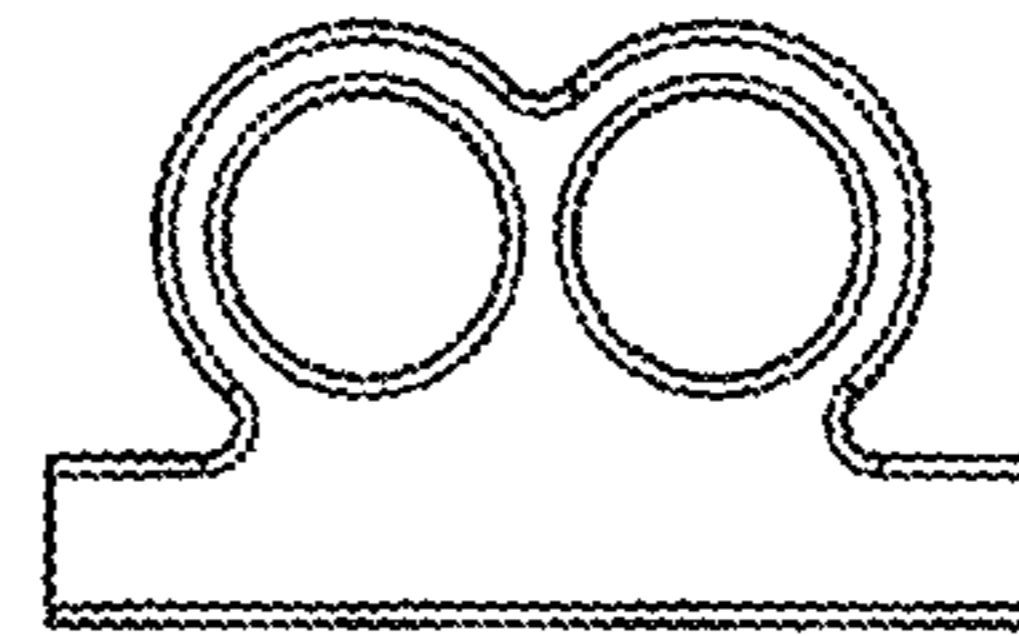


FIG.2

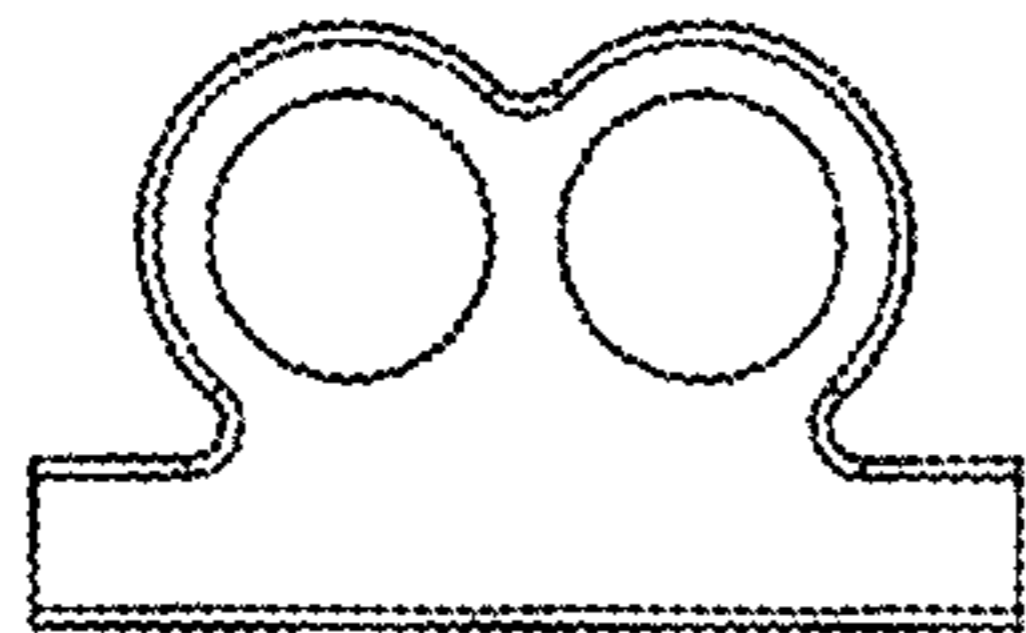


FIG.3



FIG.4



FIG.5



FIG.6

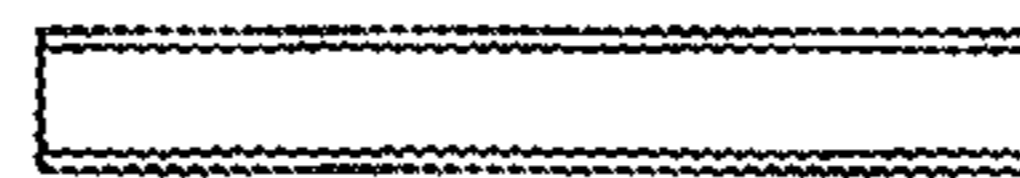


FIG.7