



US00D809193S

(12) **United States Design Patent**
McIntyre et al.

(10) **Patent No.:** **US D809,193 S**
(45) **Date of Patent:** **** Jan. 30, 2018**

(54) **STEM**

9,440,035 B2 * 9/2016 Chung A61M 15/002
9,591,876 B2 * 3/2017 Alima A24F 47/008
9,770,054 B2 * 9/2017 Chen A24F 47/008

(71) Applicants: **Kenneth Daniel McIntyre**, Long Beach, CA (US); **Alfred Davtyan**, Bellflower, CA (US)

* cited by examiner

(72) Inventors: **Kenneth Daniel McIntyre**, Long Beach, CA (US); **Alfred Davtyan**, Bellflower, CA (US)

Primary Examiner — Susan Bennett Hattan
Assistant Examiner — Rebecca Tsehaye
(74) *Attorney, Agent, or Firm* — Kevin Schraven; Lindsey Auerbach; Hankin Patent Law, APC

(**) Term: **15 Years**

(57) **CLAIM**

The ornamental design for a stem, as shown and described.

(21) Appl. No.: **29/589,250**

DESCRIPTION

(22) Filed: **Dec. 29, 2016**

(51) **LOC (11) Cl.** **27-02**

(52) **U.S. Cl.**
USPC **D27/169**

(58) **Field of Classification Search**
USPC D27/101, 106, 108, 163, 165, 167–169, D27/172–175, 183, 186–190, 193, 195; D24/10; 131/273, 274, 791, 330, 329
CPC A24F 9/00; A24F 47/002; A24F 47/004; A24F 47/006; A24F 47/008; A61M 15/06
See application file for complete search history.

FIG. 1 is a top perspective view of the stem, showing my new design, a portion of the stem being broken away to indicate indeterminate length.

FIG. 2 is a bottom perspective view thereof, a portion of the stem being broken away to indicate indeterminate length.

FIG. 3 is a side elevational view thereof, a portion of the stem being broken away to indicate indeterminate length.

FIG. 4 is a top plan view thereof.

FIG. 5 is a bottom plan view thereof.

FIG. 6 is an exploded top perspective view thereof, a portion of the stem being broken away to indicate indeterminate length.

FIG. 7 is an exploded bottom perspective view thereof, a portion of the stem being broken away to indicate indeterminate length; and,

FIG. 8 is an exploded side elevational view thereof, a portion of the stem being broken away to indicate indeterminate length.

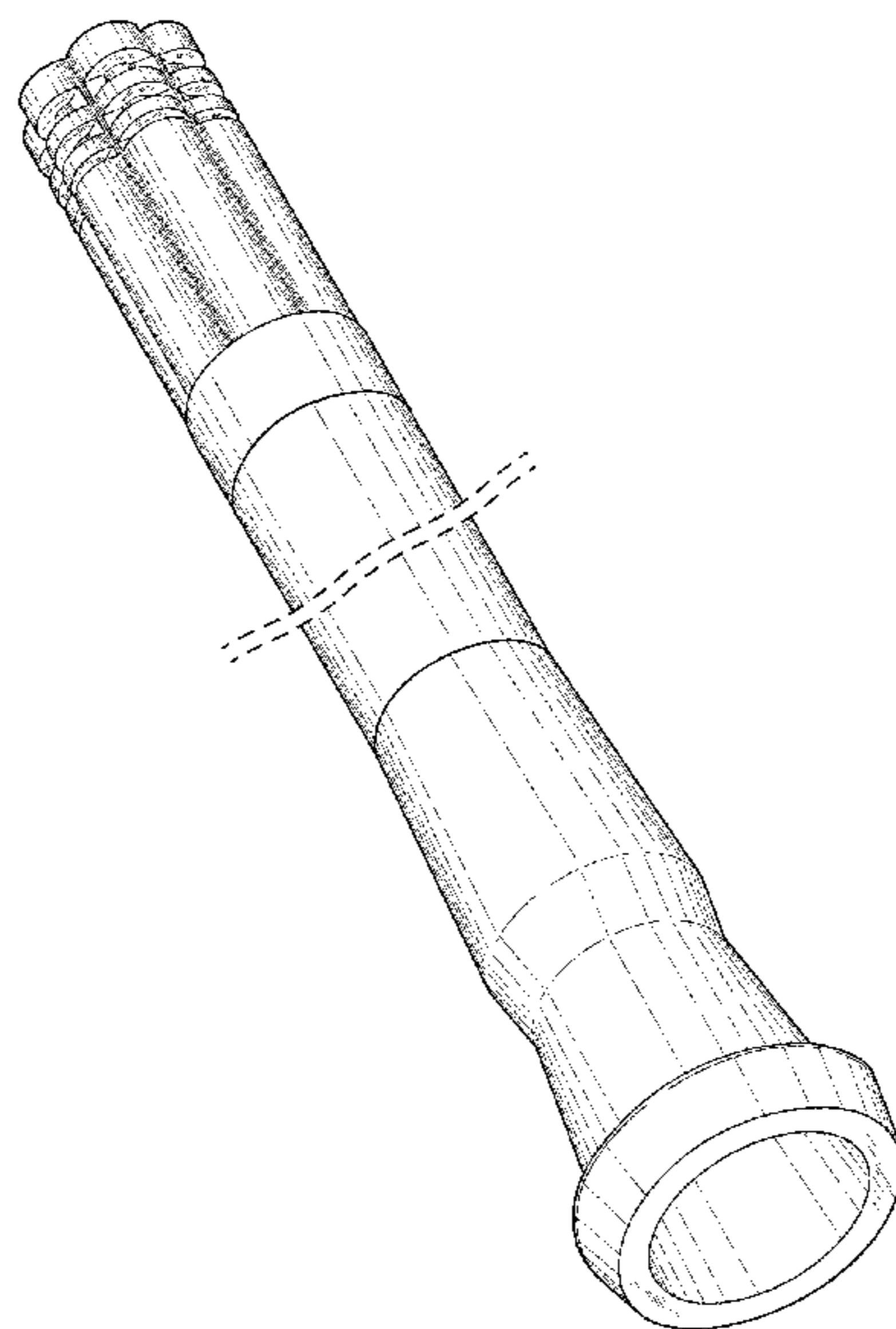
The broken lines showing thread and thread receiving portions in the stem are for the purpose of illustrating environmental structure and unclaimed subject matter and form no part of the claimed design. The stem is shown with a symbolic break in its length. The appearance of any portion of the article between the break lines forms no part of the claimed design.

(56) **References Cited**

U.S. PATENT DOCUMENTS

D243,257 S *	2/1977	Segal	D27/163
D346,877 S *	5/1994	Melograno	D27/168
D413,002 S *	8/1999	Melograno	D27/167
6,082,368 A *	7/2000	Brown	A23G 3/36 131/270
D442,329 S *	5/2001	Najar	D26/38
6,532,965 B1 *	3/2003	Abhulimen	A24F 47/004 131/175
D720,883 S *	1/2015	Albanese	D27/101
D762,004 S *	7/2016	Kesselman	D27/169

1 Claim, 8 Drawing Sheets



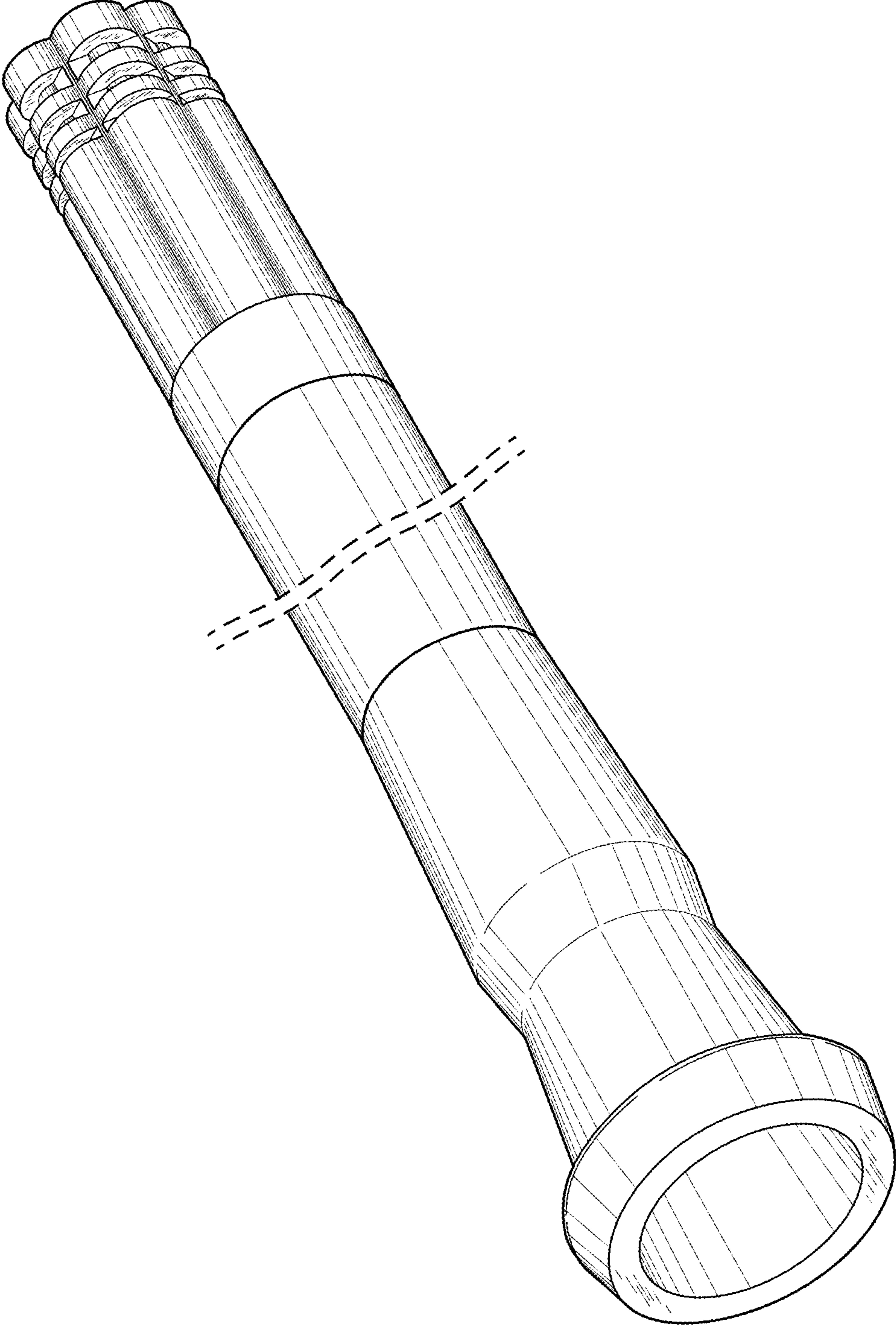


Fig. 1

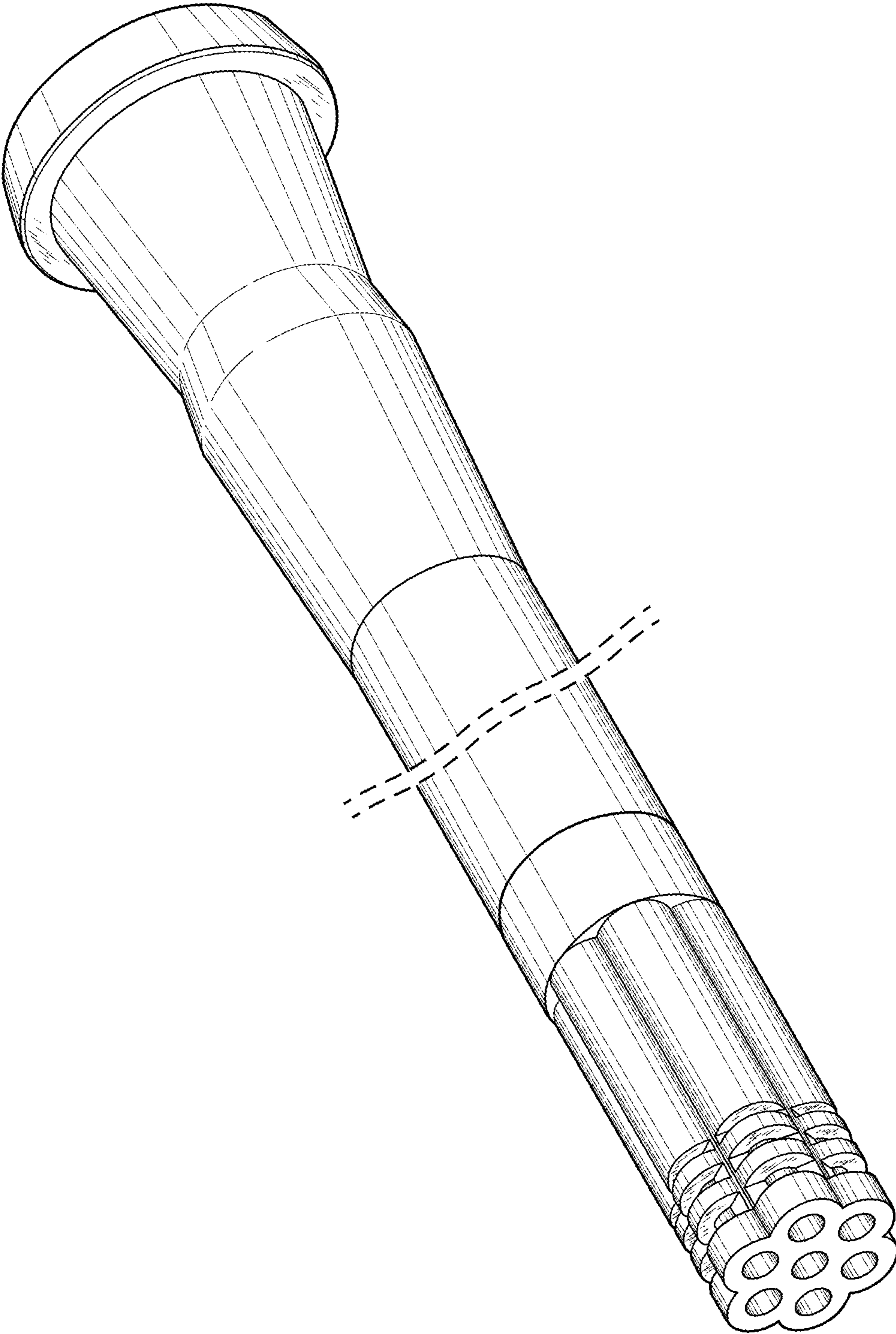


Fig.2

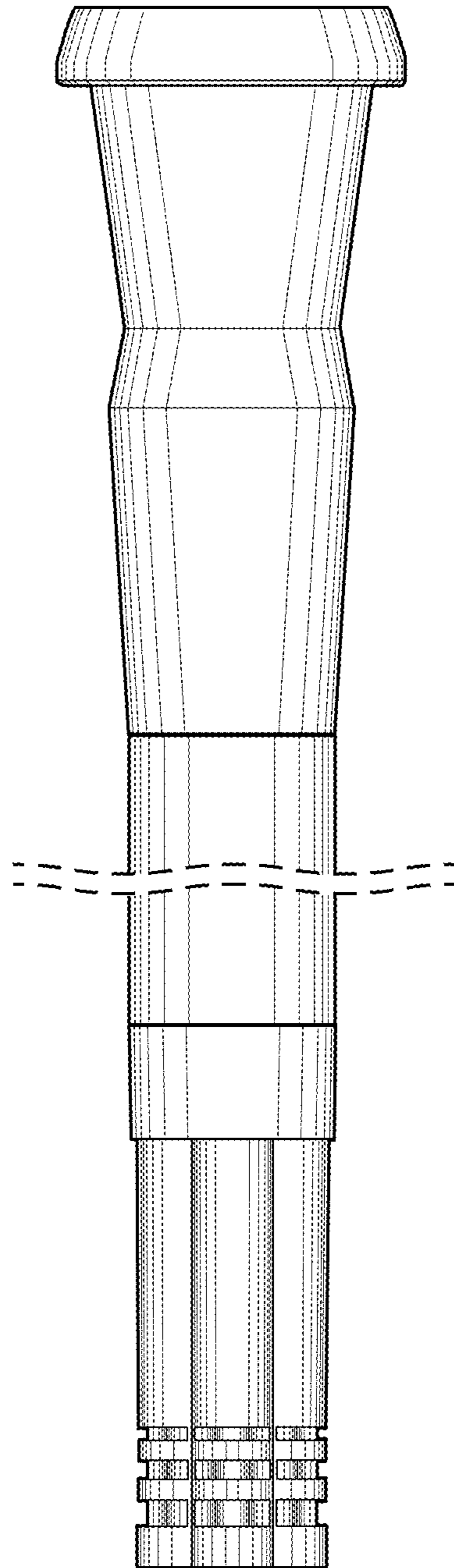


Fig.3

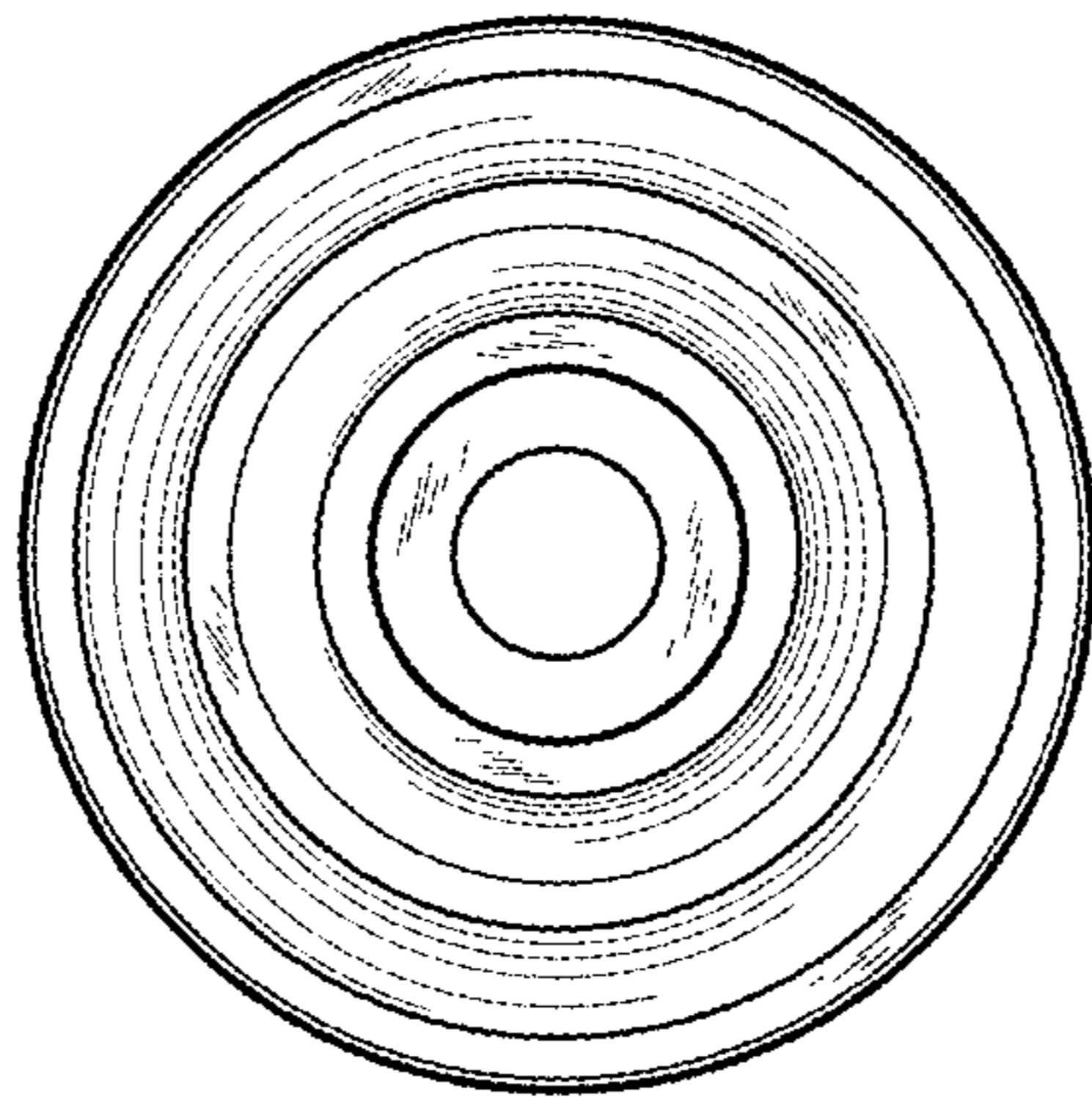


Fig.4

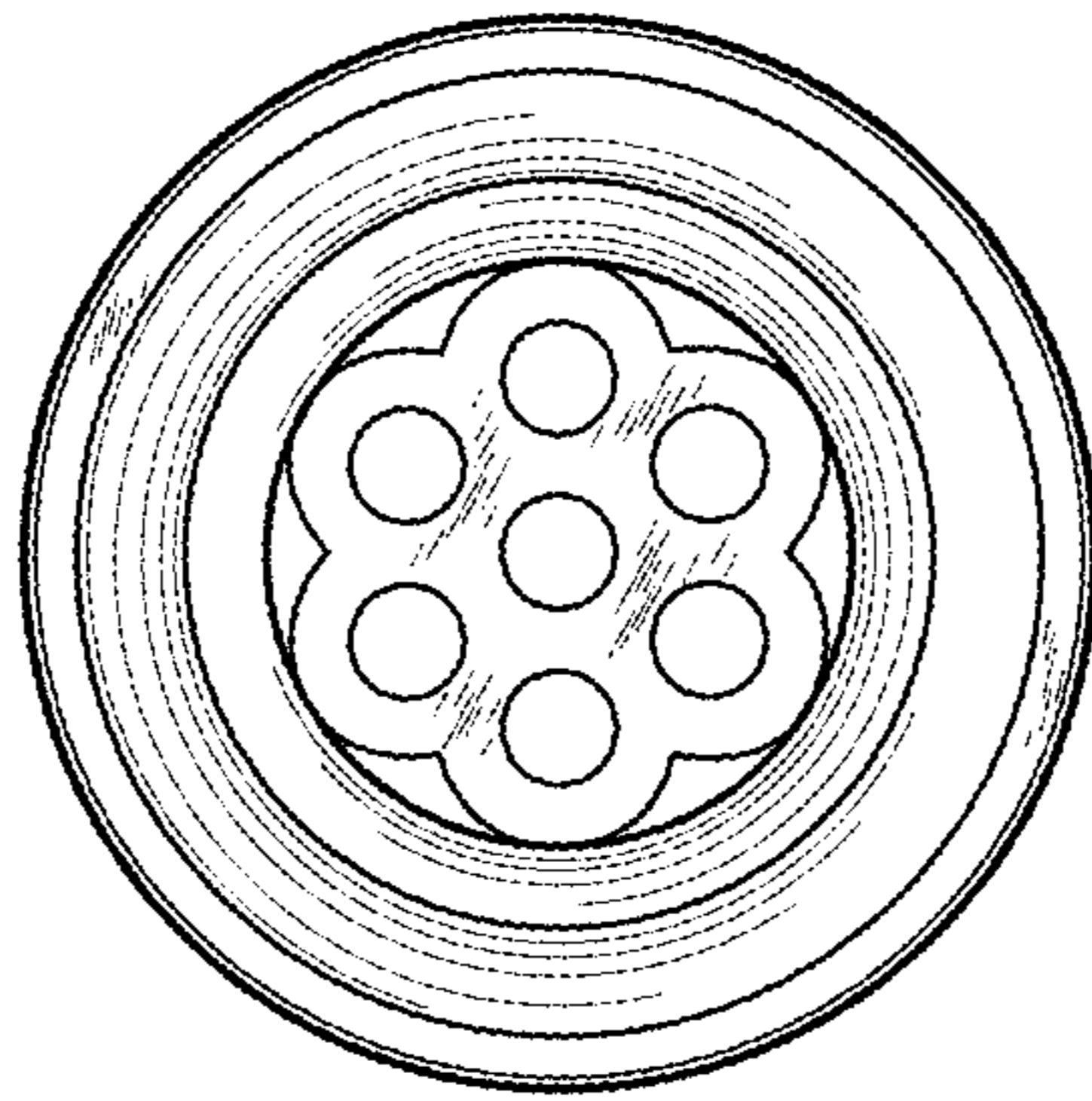


Fig.5

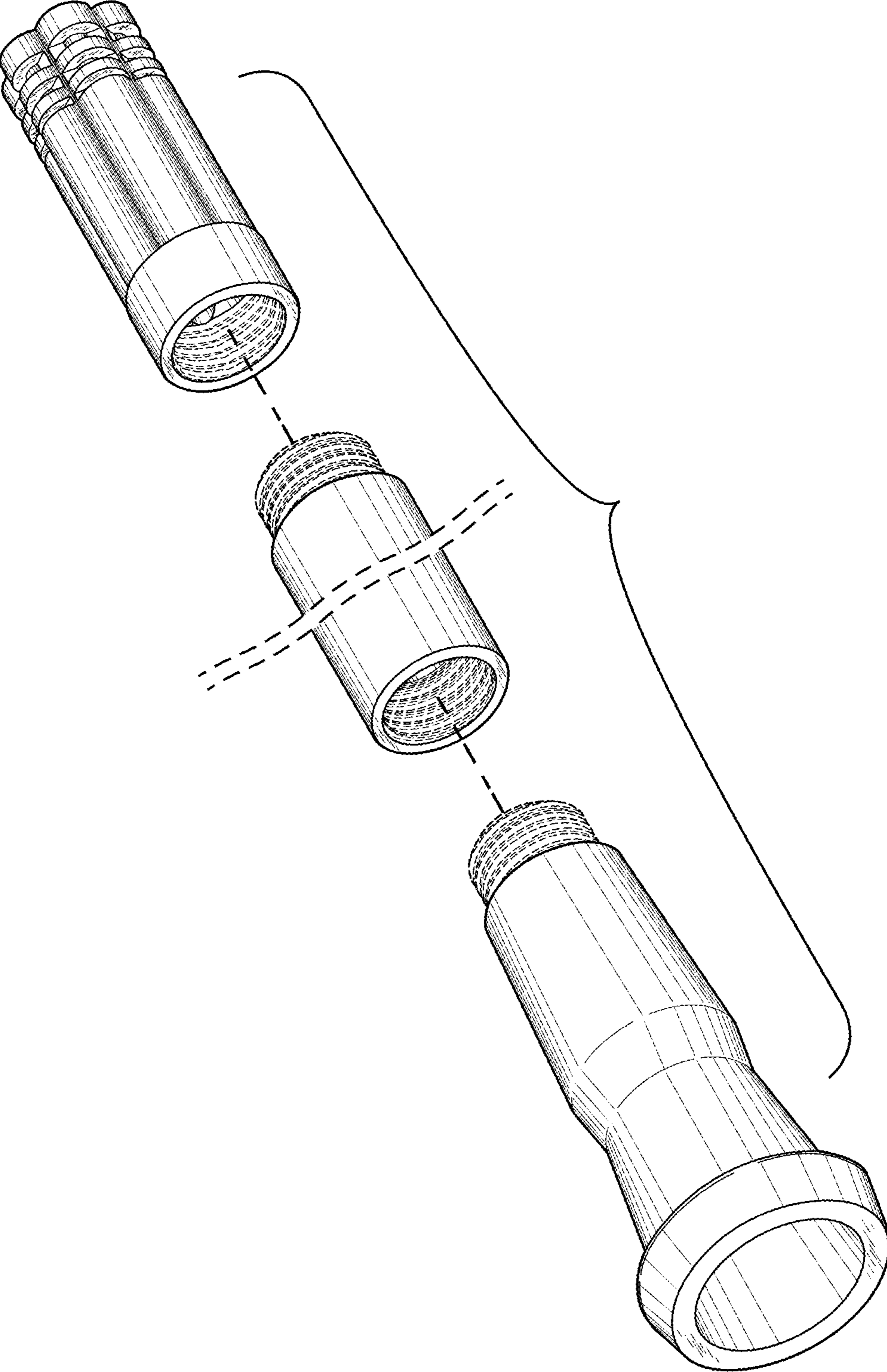


Fig.6

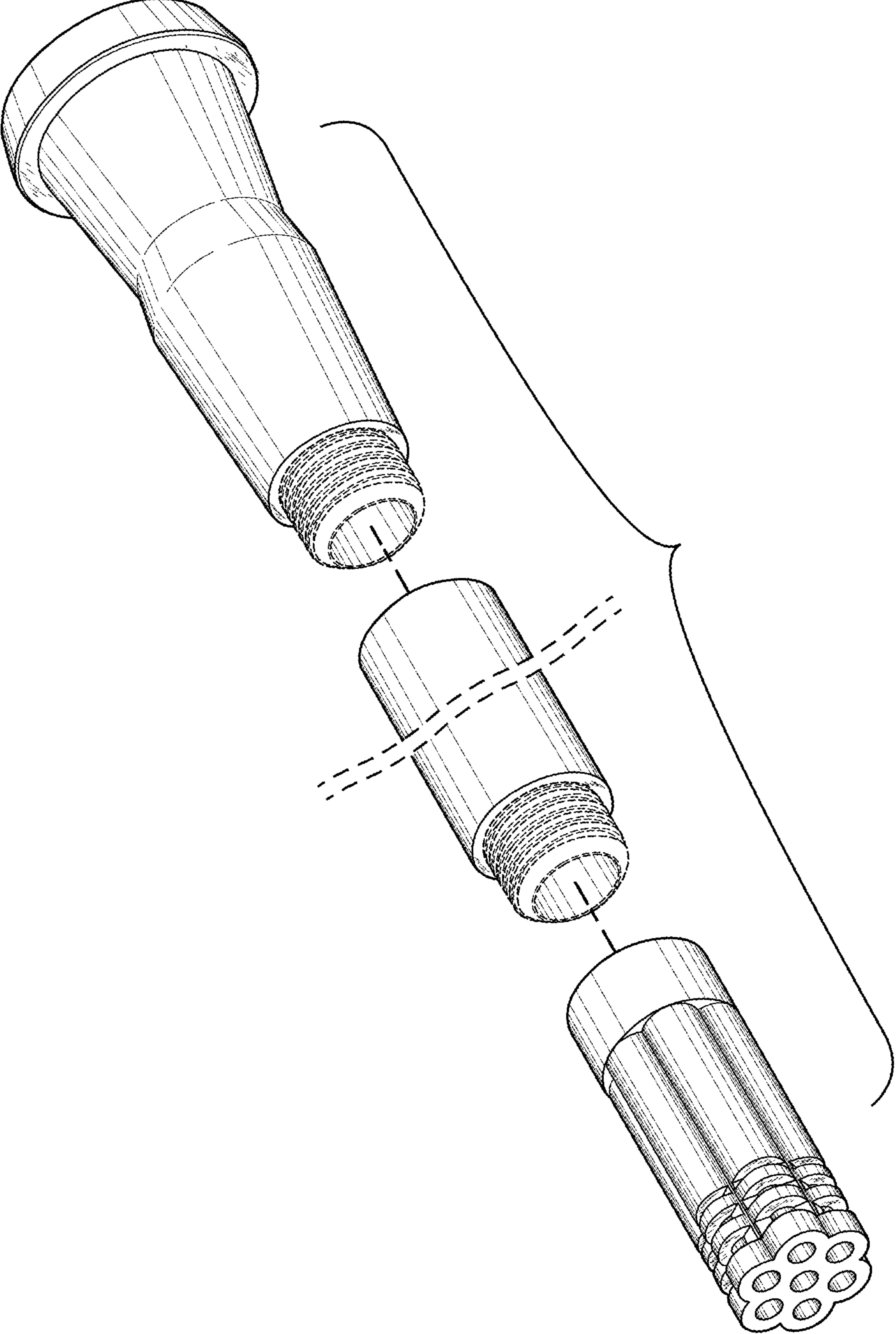


Fig. 7

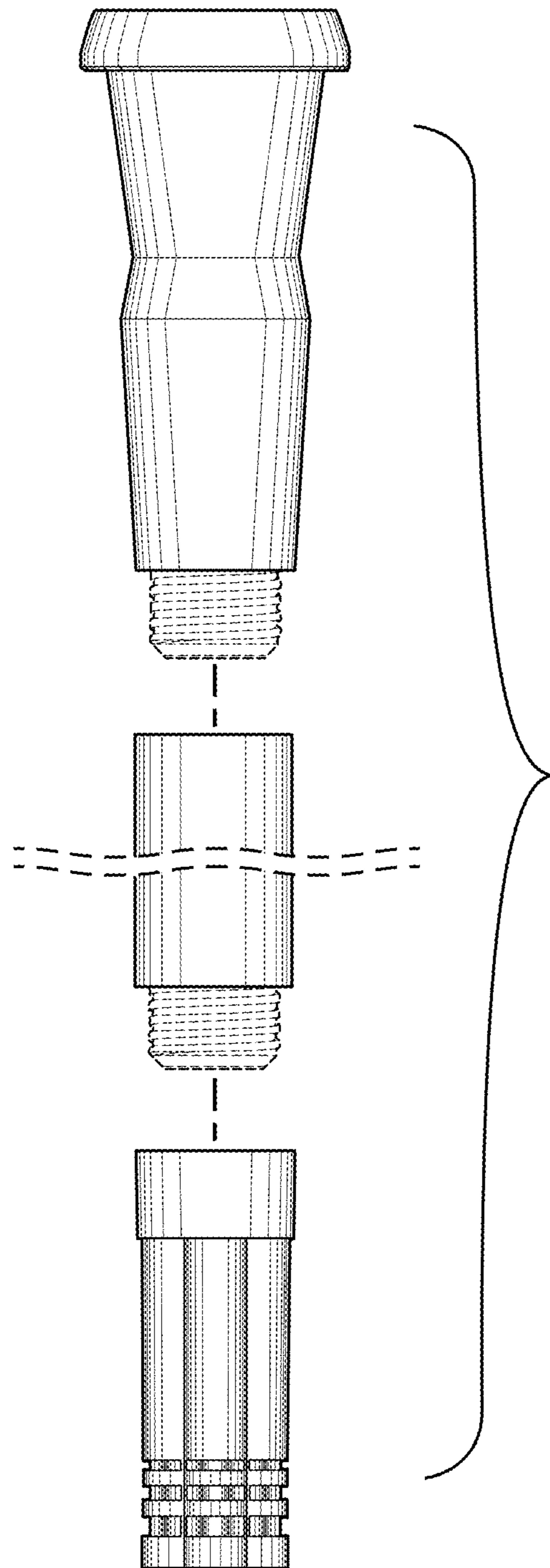


Fig. 8