



US00D809189S

(12) **United States Design Patent**  
**Liu**

(10) **Patent No.:** **US D809,189 S**  
(45) **Date of Patent:** **\*\* Jan. 30, 2018**

- (54) **ELECTRONIC CIGARETTE**
- (71) Applicant: **Qiuming Liu**, Guangdong (CN)
- (72) Inventor: **Qiuming Liu**, Guangdong (CN)
- (73) Assignee: **KIMREE HI-TECH INC**, Road Town, Tortola (VG)
- (\*\*) Term: **14 Years**
- (21) Appl. No.: **29/466,888**
- (22) Filed: **Sep. 12, 2013**
- (30) **Foreign Application Priority Data**

Aug. 23, 2013 (CN) ..... 2013 3 0405061

- (51) **LOC (11) Cl.** ..... **27-01**
- (52) **U.S. Cl.**  
USPC ..... **D27/101**
- (58) **Field of Classification Search**  
USPC ..... D27/101, 163, 167, 169, 170; D23/360;  
D9/454, 732  
CPC ..... A24F 47/00; A24F 47/002; A24F 47/004;  
A24F 47/006; A24F 47/008; A61M 15/06  
See application file for complete search history.

(56) **References Cited**

U.S. PATENT DOCUMENTS

- 5,345,953 A \* 9/1994 Taylor ..... A24F 13/18  
131/256
- D590,988 S \* 4/2009 Hon ..... D27/101
- D590,991 S \* 4/2009 Hon ..... D27/101
- D662,257 S \* 6/2012 Alelov ..... D27/101
- D725,821 S \* 3/2015 Levin ..... D27/101
- D725,822 S \* 3/2015 Liu ..... D27/101
- D728,154 S \* 4/2015 Lavanchy ..... D27/100
- 9,095,175 B2 \* 8/2015 Terry ..... A24F 47/008

- 2005/0016550 A1 \* 1/2005 Katase ..... A24F 47/002  
131/194
- 2008/0023003 A1 \* 1/2008 Rosenthal ..... A61M 11/041  
128/203.26
- 2009/0217933 A1 \* 9/2009 Chen ..... A24F 47/006  
131/185
- 2011/0277760 A1 \* 11/2011 Terry ..... A24F 47/008  
128/203.12
- 2013/0152956 A1 \* 6/2013 von Borstel ..... A24F 47/002  
131/329
- 2013/0192623 A1 \* 8/2013 Tucker ..... H01C 17/00  
131/329
- 2013/0340779 A1 \* 12/2013 Liu ..... A24F 47/008  
131/329
- 2014/0007891 A1 \* 1/2014 Liu ..... A24F 47/008  
131/329
- 2015/0196057 A1 \* 7/2015 Wu ..... A24F 47/008  
131/329

\* cited by examiner

*Primary Examiner* — Janice Hallmark

(74) *Attorney, Agent, or Firm* — Tim Tingkang Xia, Esq.;  
Locke Lord LLP

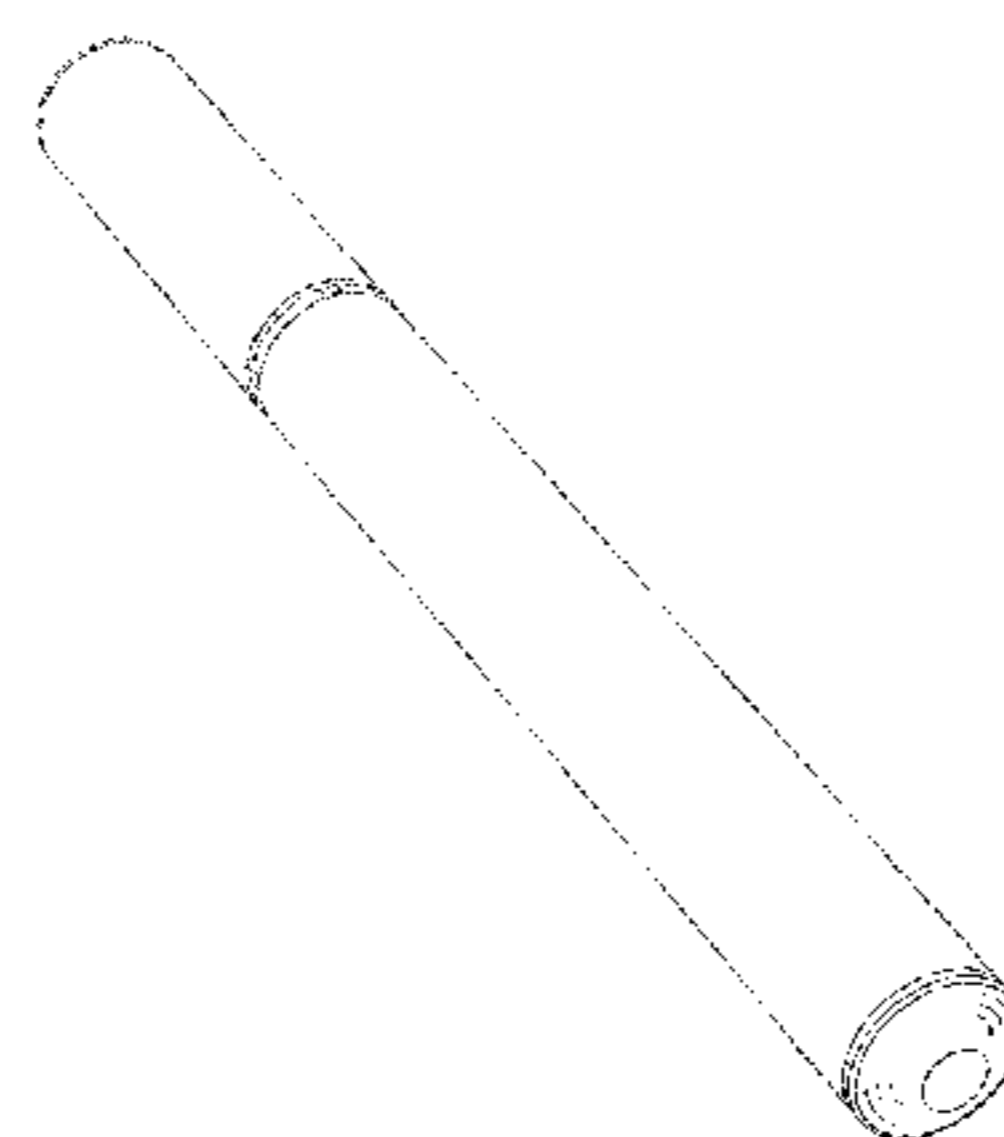
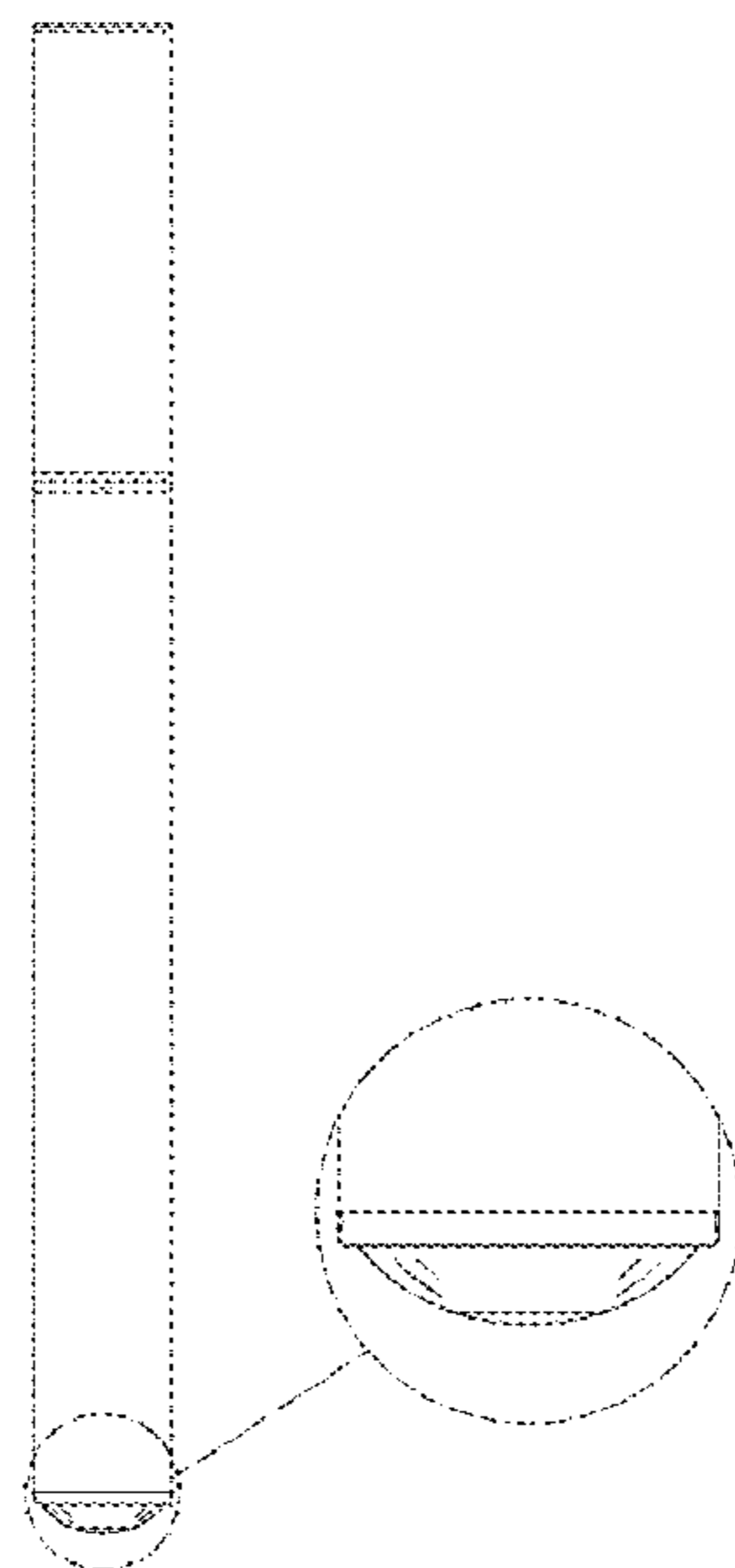
(57) **CLAIM**

The ornamental design for an electronic cigarette, as shown and described.

**DESCRIPTION**

FIG. 1 is a front elevation view of an electronic cigarette showing my new design with an enlarged detail view of the top end; FIG. 2 is a left side elevation view of the electronic cigarette; FIG. 3 is a bottom plan view of the electronic cigarette; FIG. 4 is a top plan view of the electronic cigarette; and, FIG. 5 is a perspective view of the electronic cigarette. The broken lines in the drawings depict parts of the electronic cigarette that form no part of the claimed design.

**1 Claim, 4 Drawing Sheets**



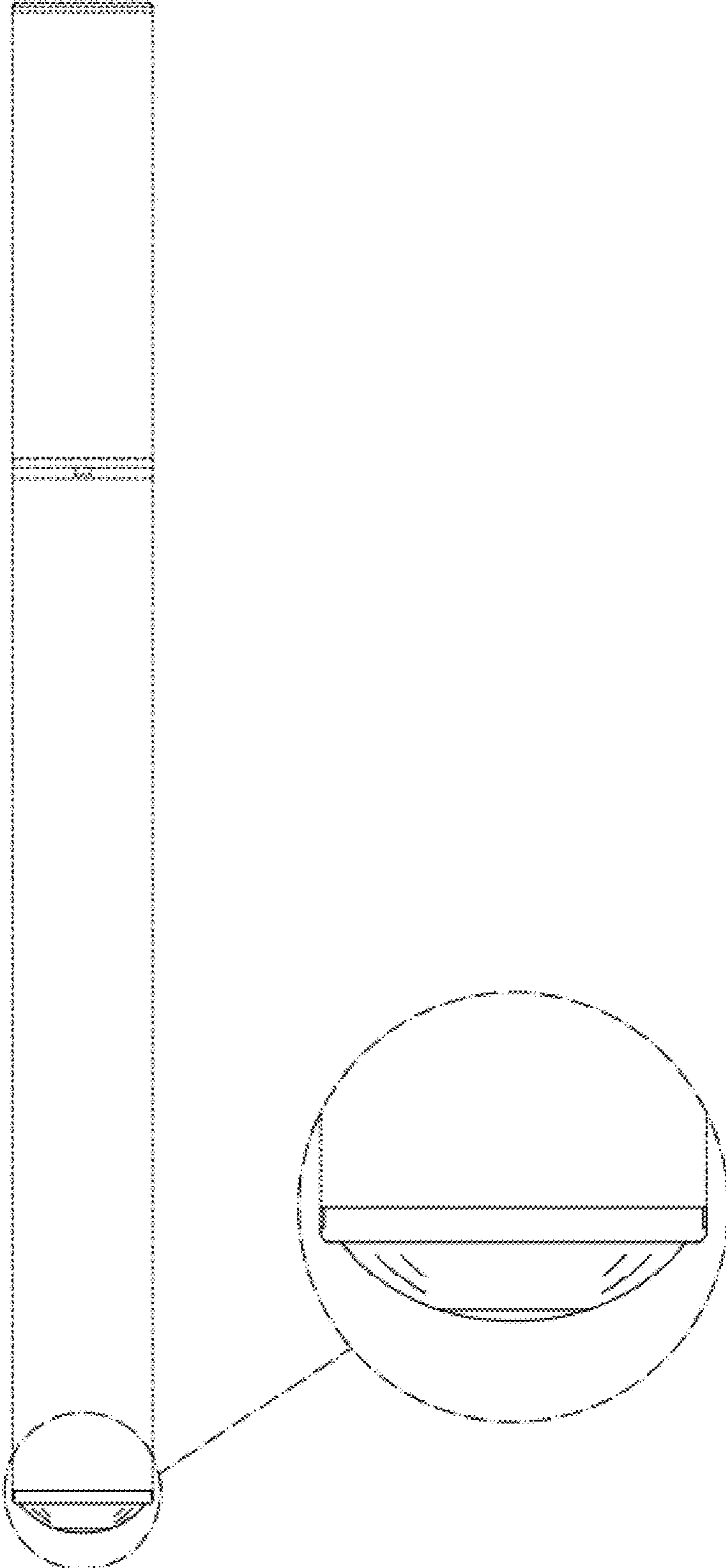


Fig. 1

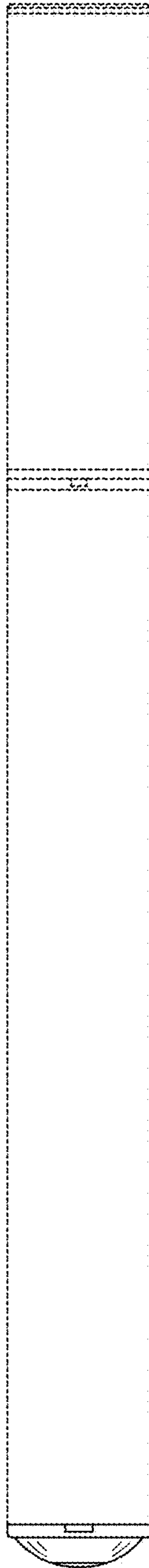


Fig. 2

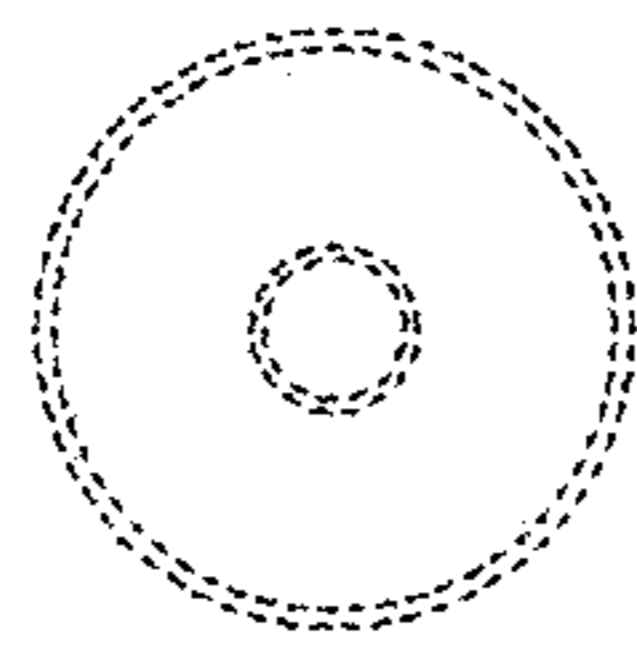


Fig. 3

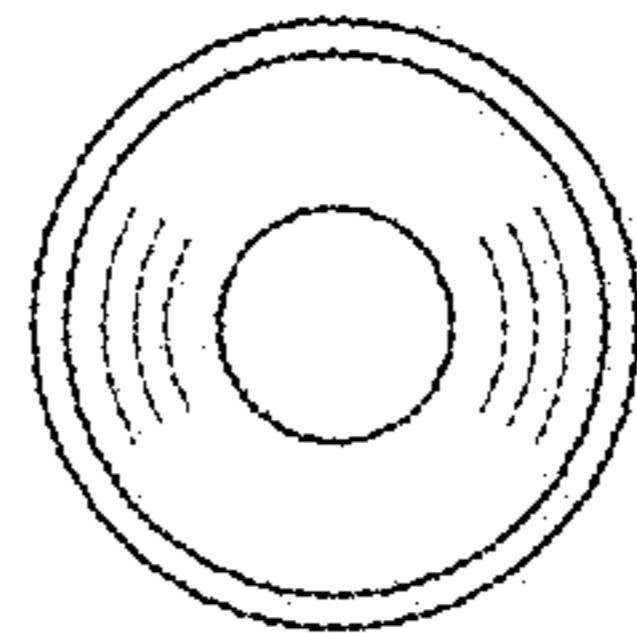


Fig. 4

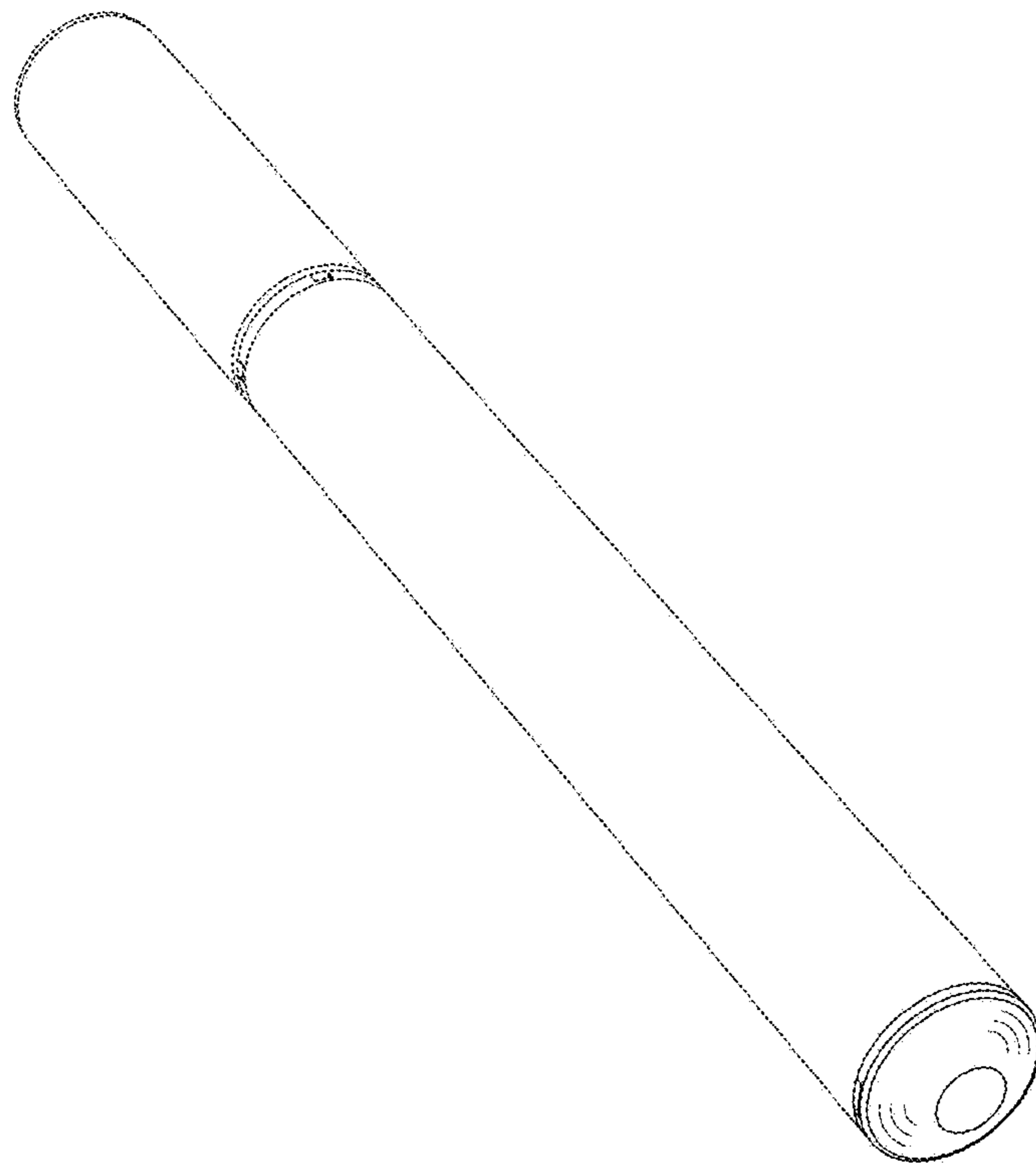


Fig. 5