



US00D809188S

(12) **United States Design Patent**  
**Li**

(10) **Patent No.:** **US D809,188 S**  
(45) **Date of Patent:** **\*\* Jan. 30, 2018**

(54) **LENS**

(71) Applicant: **ShangHai Dakin optoelectronic Technology Co., Ltd., Shanghai (CN)**

(72) Inventor: **Chengxue Li, Shanghai (CN)**

(\*\*) Term: **15 Years**

(21) Appl. No.: **29/574,676**

(22) Filed: **Aug. 18, 2016**

(51) **LOC (11) Cl.** ..... **26-99**

(52) **U.S. Cl.**  
USPC ..... **D26/120**

(58) **Field of Classification Search**  
USPC ..... D26/120, 113, 118, 119, 121, 122, 124, D26/125, 128, 64, 24, 93, 76, 44, 63  
CPC ..... F21Y 201/02; F21Y 2103/003; F21Y 2105/001; F21Y 2105/003; F21Y 2105/008; F21Y 2111/001; F21Y 2113/007; F21V 5/04; F21V 5/004; F21V 5/045; F21V 7/041; F21W 2131/103; F21K 9/00

See application file for complete search history.

7,473,013 B2 \* 1/2009 Shimada ..... F21V 5/04 257/98  
D622,898 S \* 8/2010 Chen ..... D26/124  
D625,462 S \* 10/2010 Ku ..... D26/128  
8,368,093 B2 \* 2/2013 Chen ..... F21V 5/04 257/95  
8,500,309 B2 \* 8/2013 Chang ..... F21V 5/045 362/311.02  
D691,321 S \* 10/2013 Chen ..... D26/124  
8,740,417 B2 \* 6/2014 Jiang ..... F21V 5/04 362/296.05  
D715,481 S \* 10/2014 Zhang ..... D26/120  
D715,990 S \* 10/2014 Zhang ..... D26/120  
D715,991 S \* 10/2014 Zhang ..... D26/120

\* cited by examiner

*Primary Examiner* — Brian N. Vinson  
(74) *Attorney, Agent, or Firm* — Wayne & Ken, LLC; Tony Hom

(57) **CLAIM**

The ornamental design for a lens, as shown and described.

**DESCRIPTION**

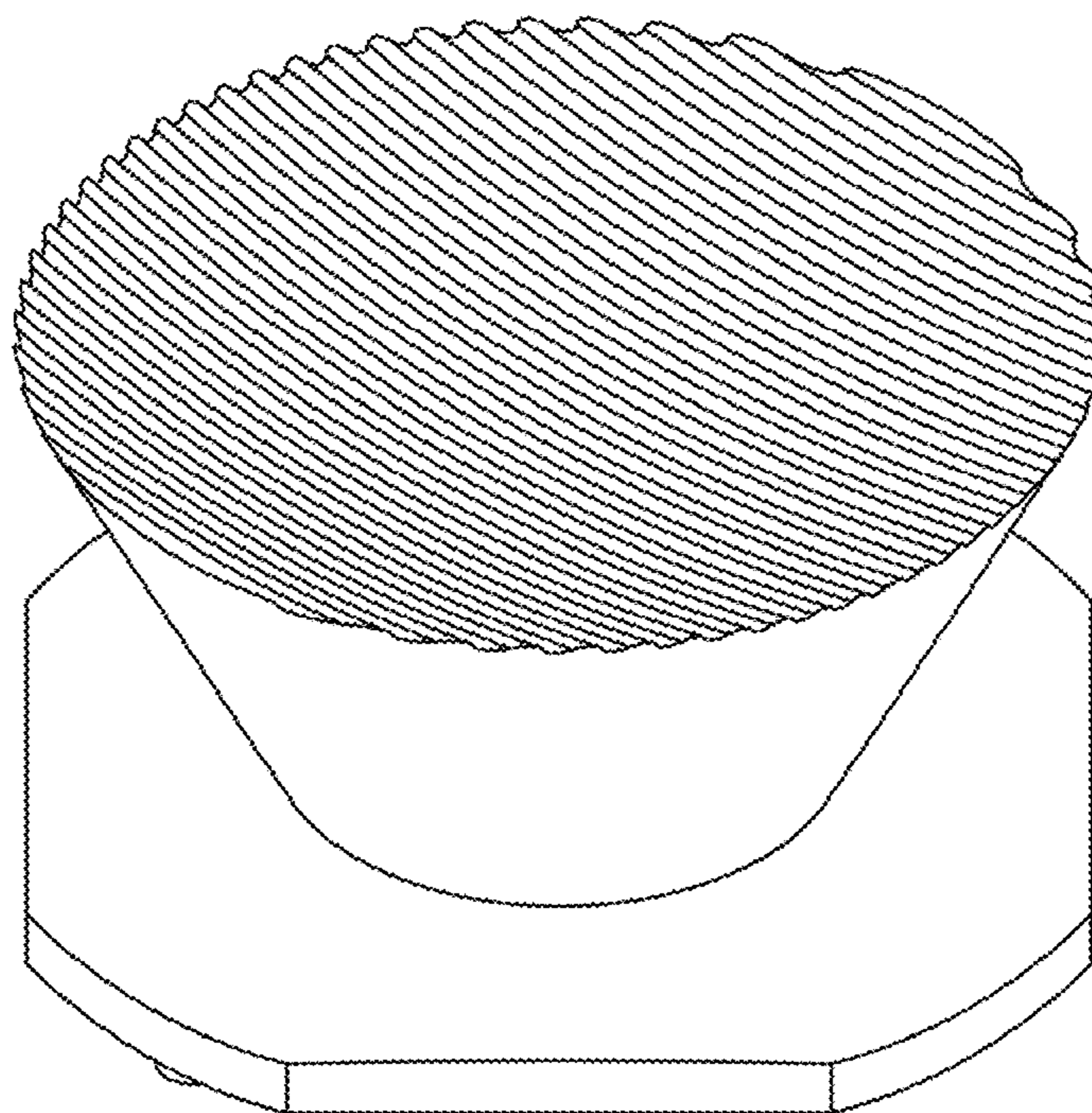
FIG. 1 is a top and front perspective view of a lens showing my new design;  
FIG. 2 is a front elevational view thereof;  
FIG. 3 is a top plan view thereof;  
FIG. 4 is a bottom plan view thereof;  
FIG. 5 is a left side elevational view thereof; and,  
FIG. 6 is a vertical cross-sectional view thereof, taken along line 6-6 of FIG. 3.

**1 Claim, 6 Drawing Sheets**

(56) **References Cited**

**U.S. PATENT DOCUMENTS**

6,547,423 B2 \* 4/2003 Marshall ..... F21V 5/04 257/E33.072  
6,724,543 B1 \* 4/2004 Chinniah ..... F21V 5/045 359/718  
6,755,556 B2 \* 6/2004 Gasquet ..... F21V 5/04 362/328



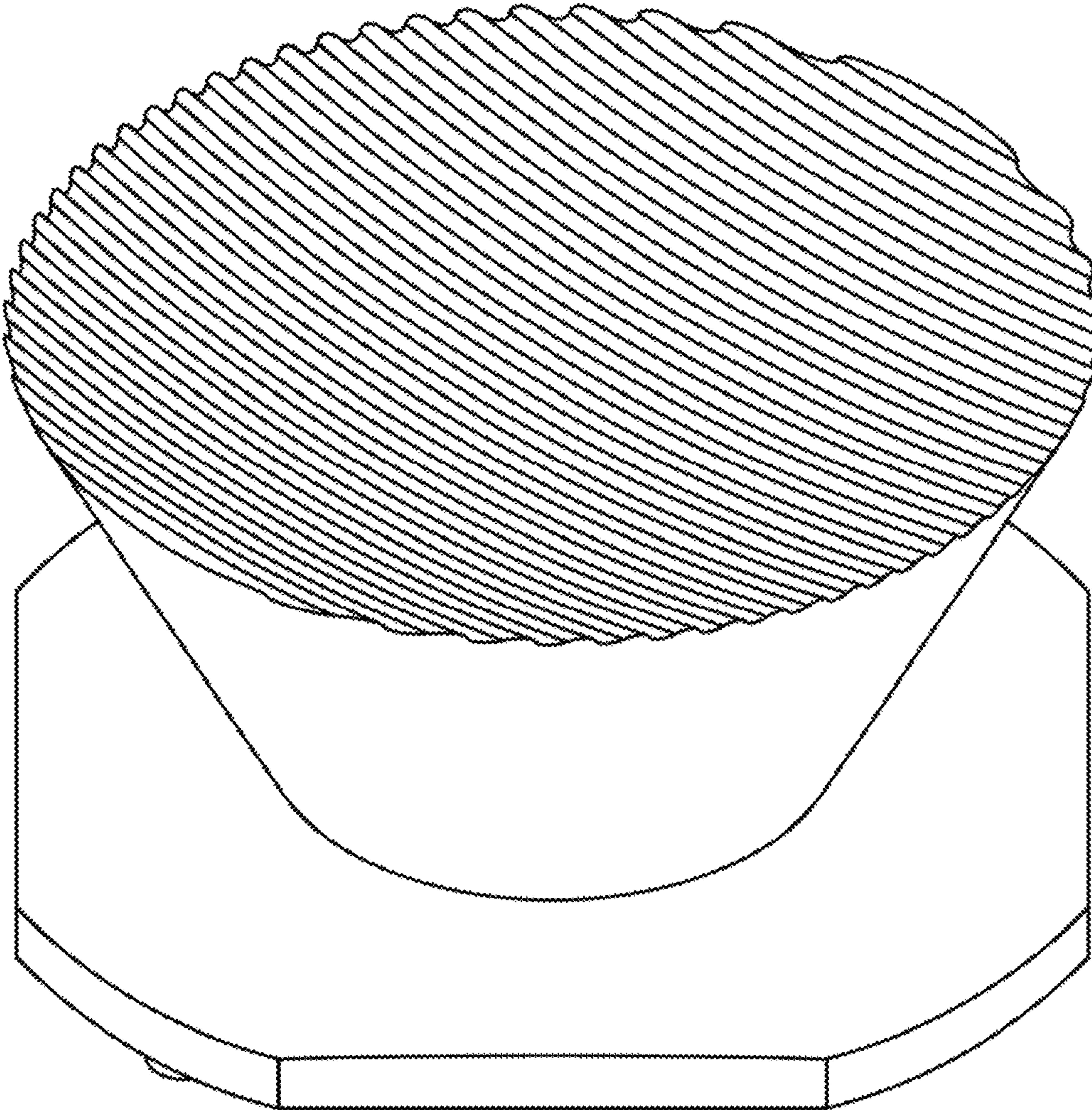


FIG. 1

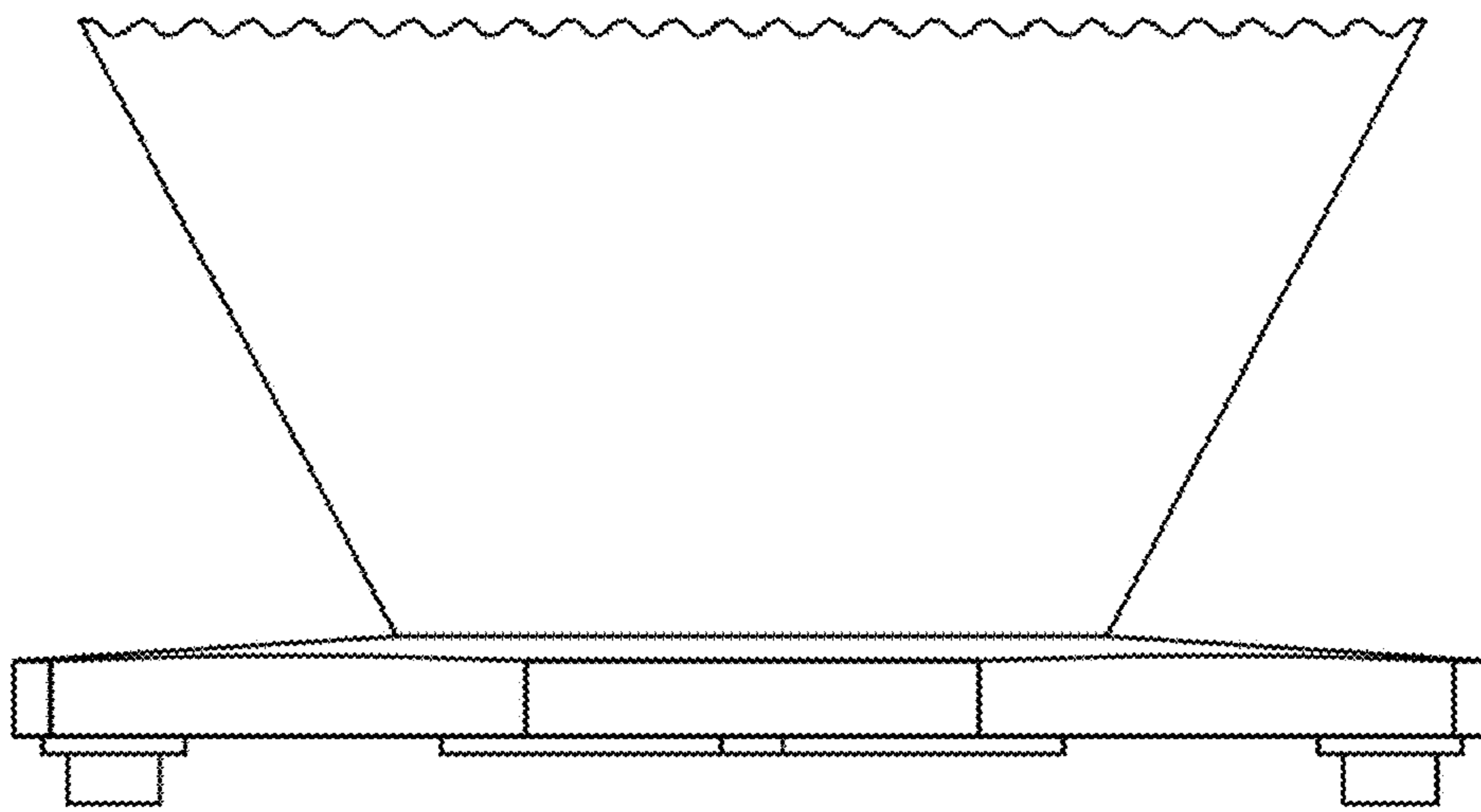


FIG. 2

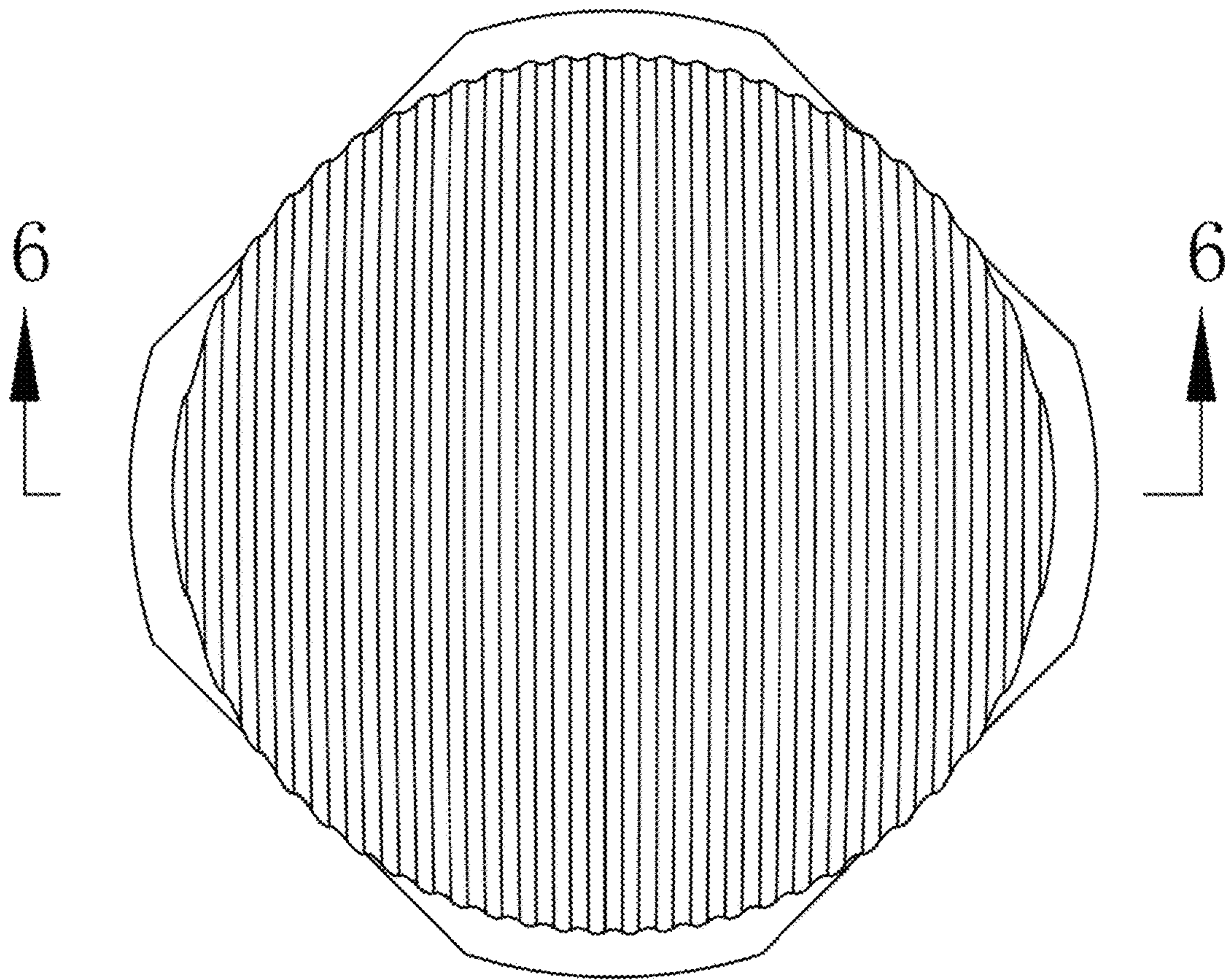


FIG. 3

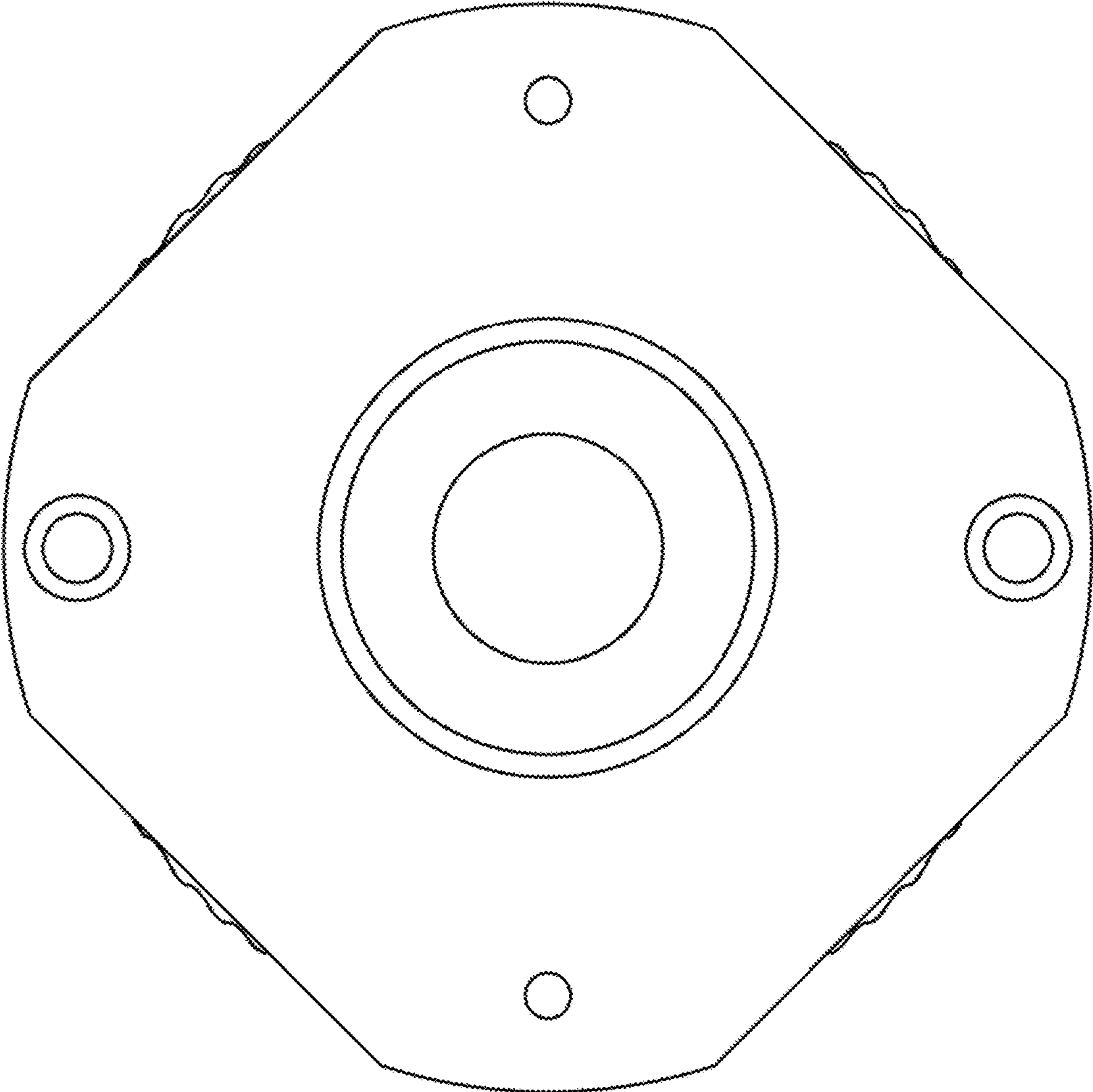


FIG. 4

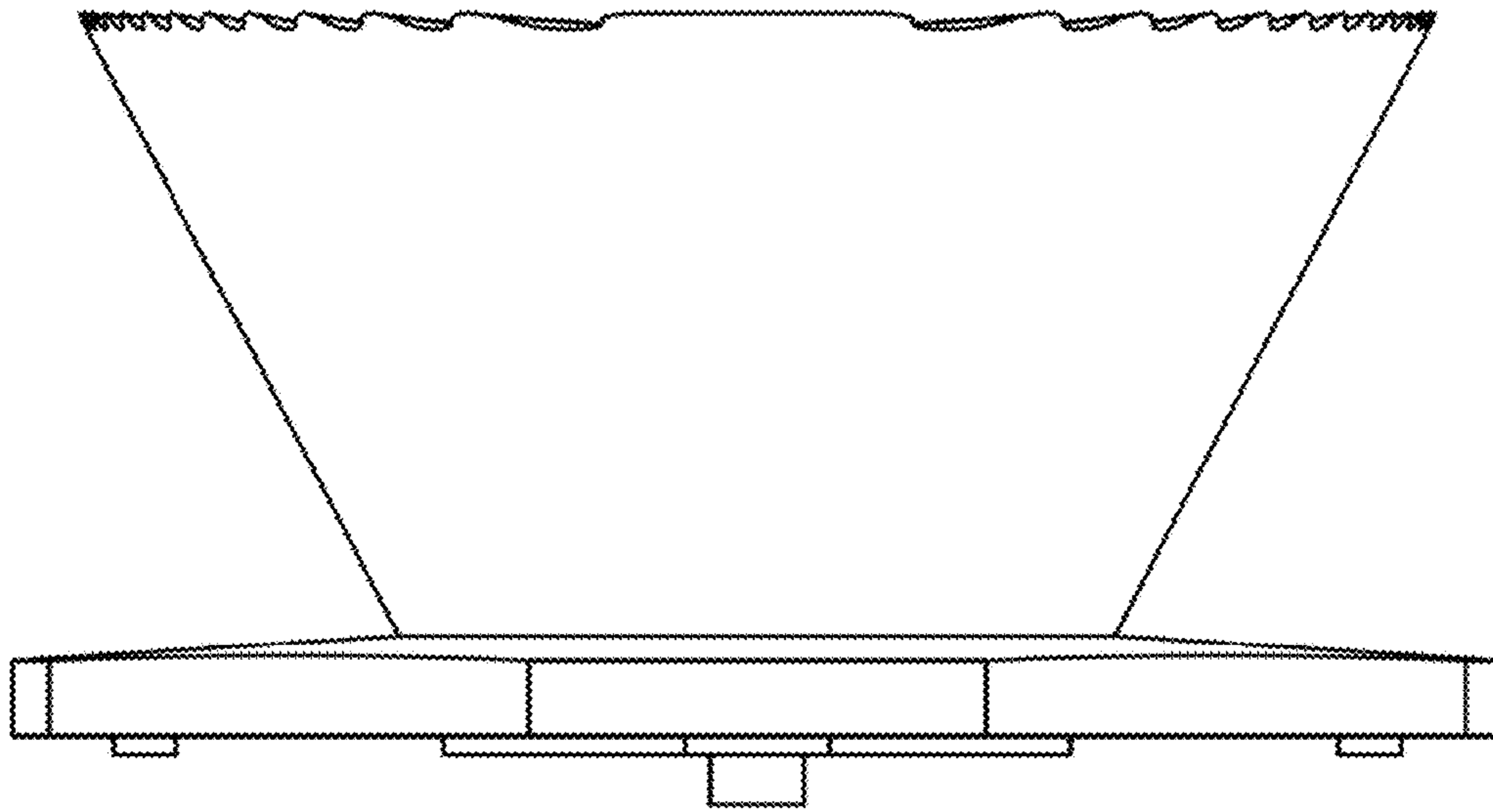


FIG. 5

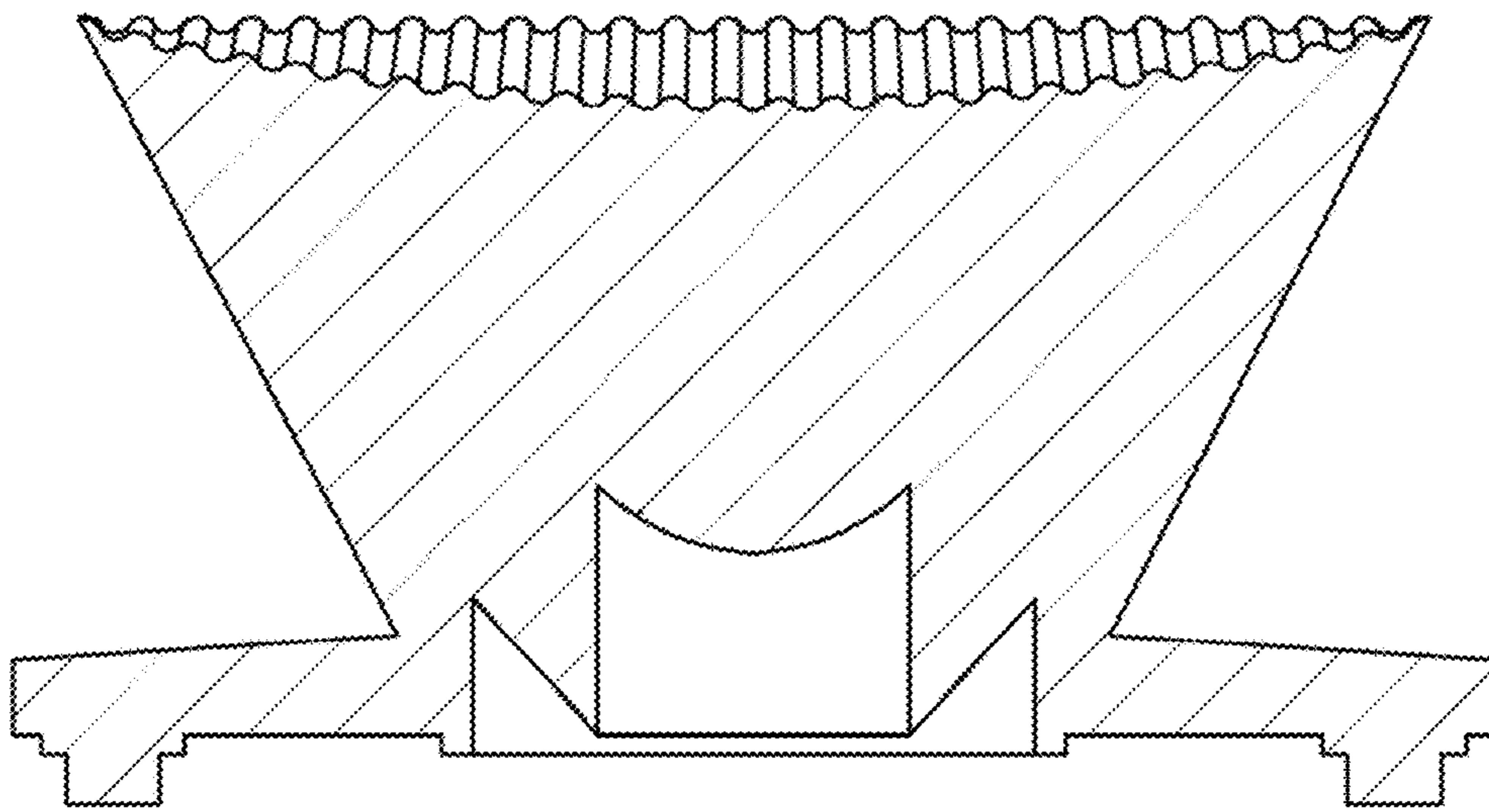


FIG. 6