



US00D809187S

(12) **United States Design Patent**
Dai

(10) **Patent No.:** **US D809,187 S**

(45) **Date of Patent:** **** Jan. 30, 2018**

(54) **TABLE LAMP**

(71) Applicant: **Ningbo Weitao Electrical Appliance Co., Ltd.**, Ningbo, Zhejiang (CN)

(72) Inventor: **Jiangang Dai**, Zhejiang (CN)

(73) Assignee: **Ningbo Weitao Electrical Appliance Co., Ltd.**, Ningbo (CN)

(**) Term: **15 Years**

(21) Appl. No.: **29/576,532**

(22) Filed: **Sep. 2, 2016**

(30) **Foreign Application Priority Data**

Jun. 30, 2016 (CN) 2016 3 0329371

(51) **LOC (11) Cl.** **26-03**

(52) **U.S. Cl.**
USPC **D26/107**

(58) **Field of Classification Search**
USPC D26/1, 24, 93, 104, 106, 107, 109, 110,
D26/62

CPC F21S 6/00; F21S 6/043; F21S 8/08; F21V
21/00; F21V 21/02; F21W 2121/00;
F21W 2131/30

See application file for complete search history.

(56) **References Cited**

U.S. PATENT DOCUMENTS

D513,088 S * 12/2005 Baarman D26/106
D618,844 S * 6/2010 Huang D26/93

D639,489 S * 6/2011 Huang D26/93
D639,491 S * 6/2011 Chen D26/93
D673,716 S * 1/2013 Huang D26/93
D692,608 S * 10/2013 Douglas D26/93
D728,845 S * 5/2015 Huang D26/107
D781,489 S * 3/2017 Jiao D26/107

* cited by examiner

Primary Examiner — Brian N. Vinson

(57) **CLAIM**

The ornamental design for a table lamp, as shown and described.

DESCRIPTION

FIG. 1 is a first perspective view of a table lamp showing my new design;
FIG. 2 is a second perspective view thereof;
FIG. 3 is a rear elevational view thereof;
FIG. 4 is a front elevational view thereof;
FIG. 5 is a left side view thereof;
FIG. 6 is a right side view thereof;
FIG. 7 is a top plan view thereof; and,
FIG. 8 is a bottom plan view thereof.
The broken lines in the drawings illustrate portions of the table lamp which form no part of the claimed design.

1 Claim, 6 Drawing Sheets

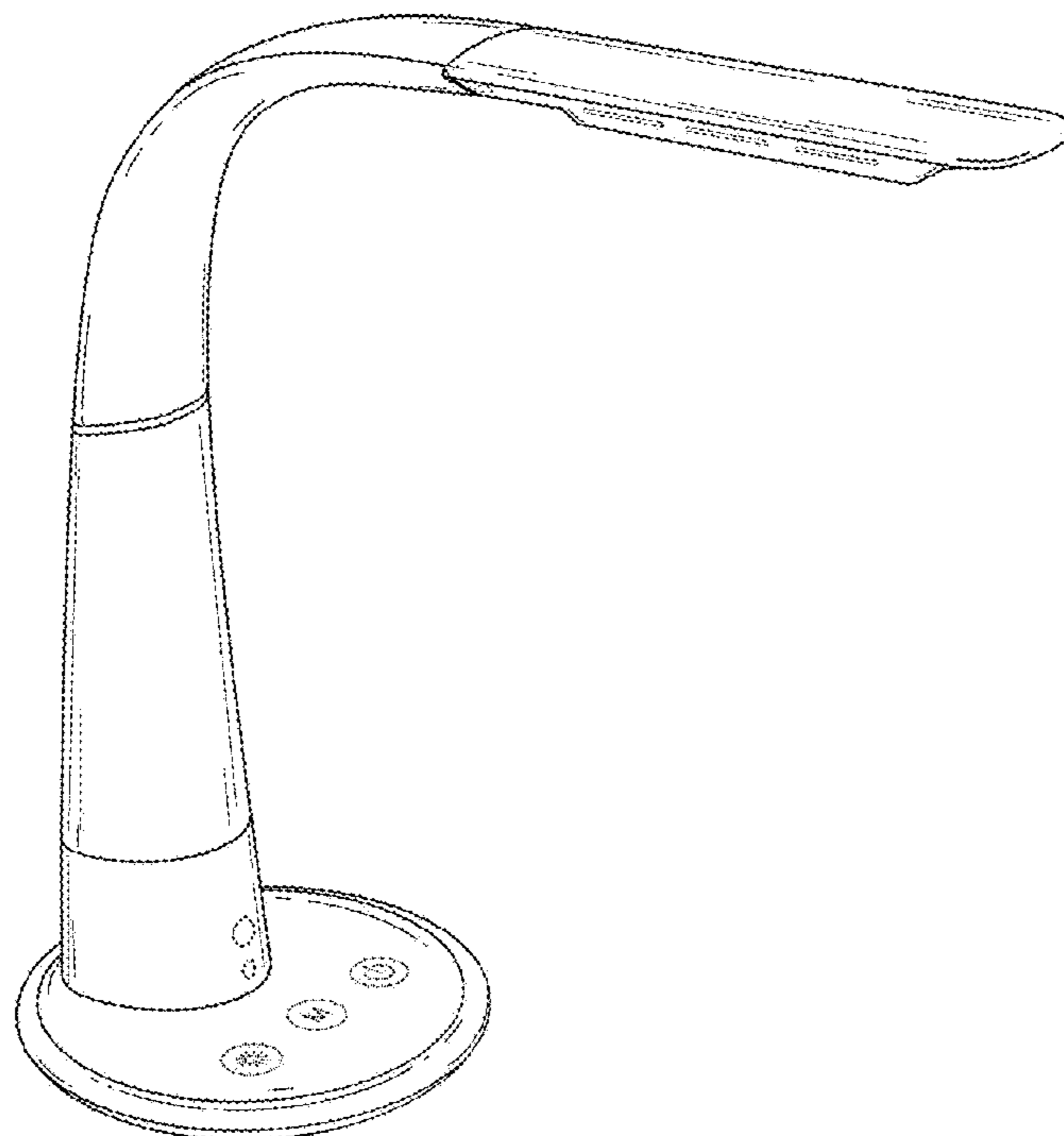




Fig. 1

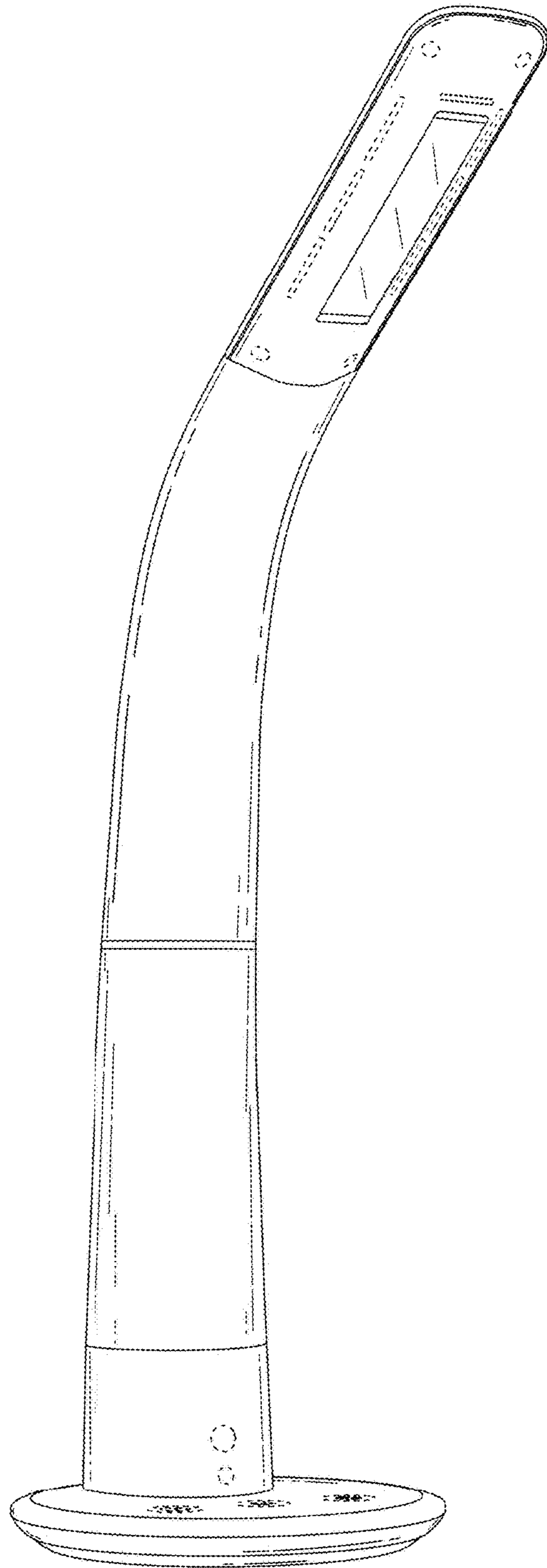


Fig. 2

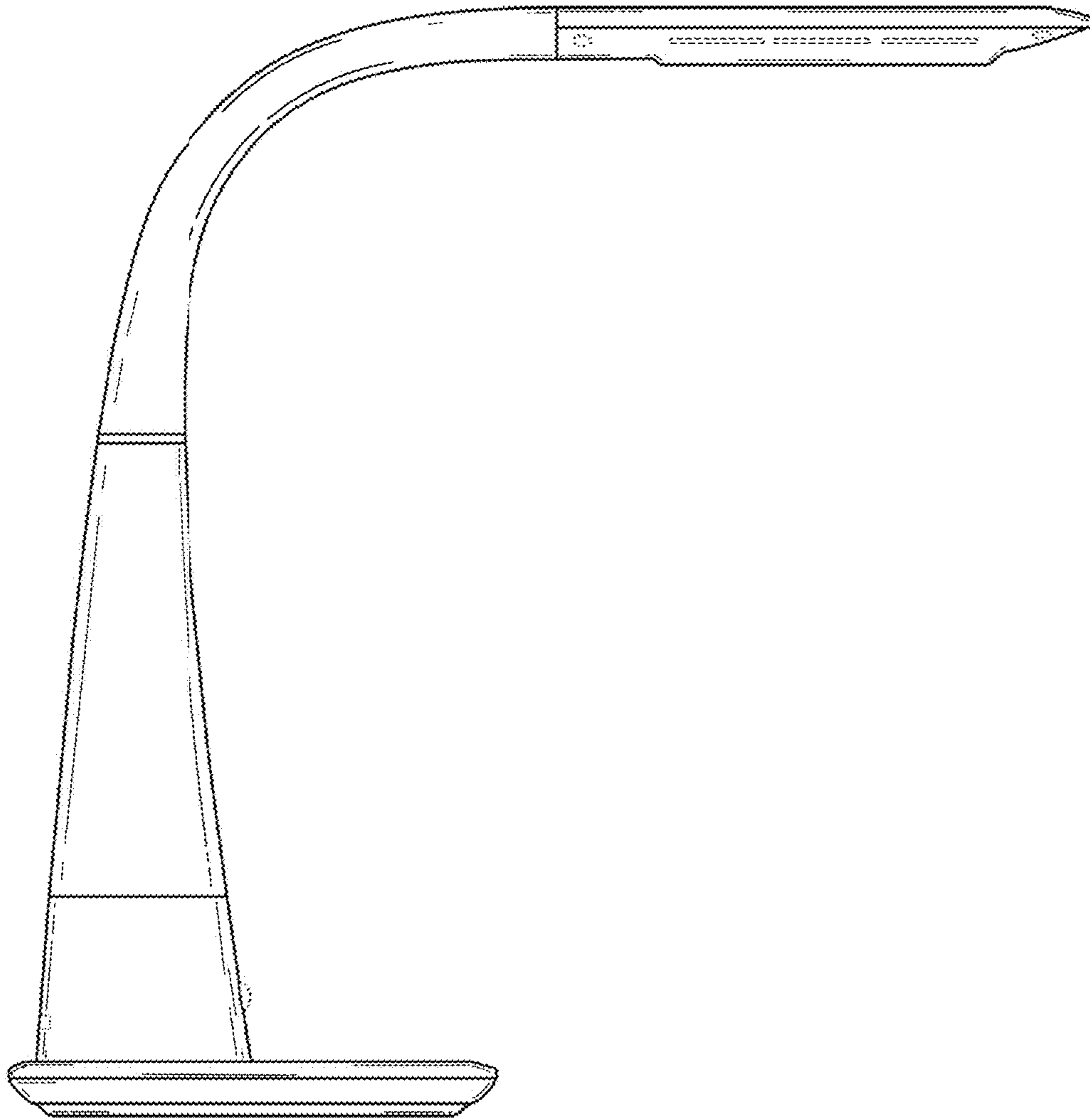


Fig. 3

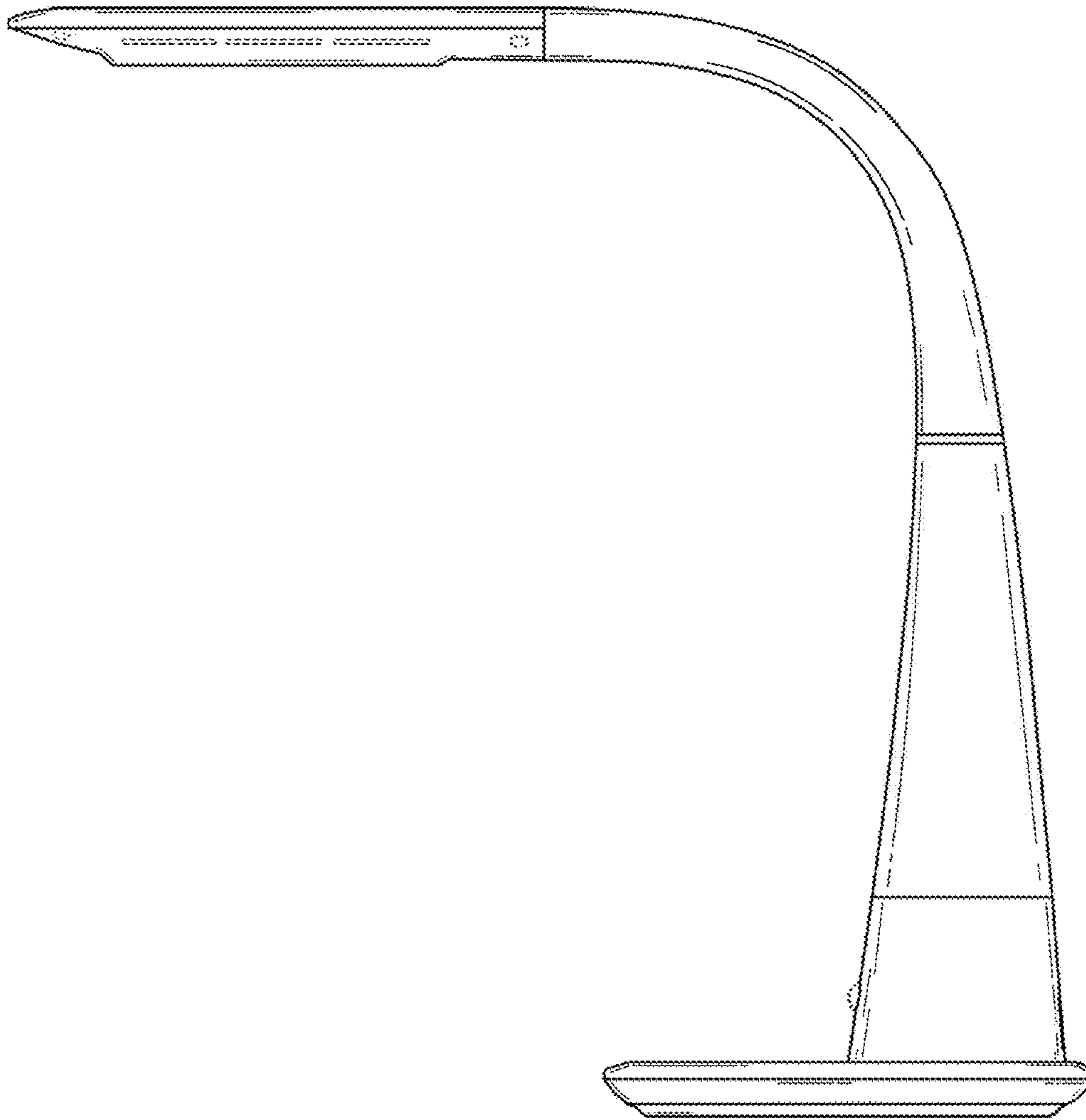


Fig. 4

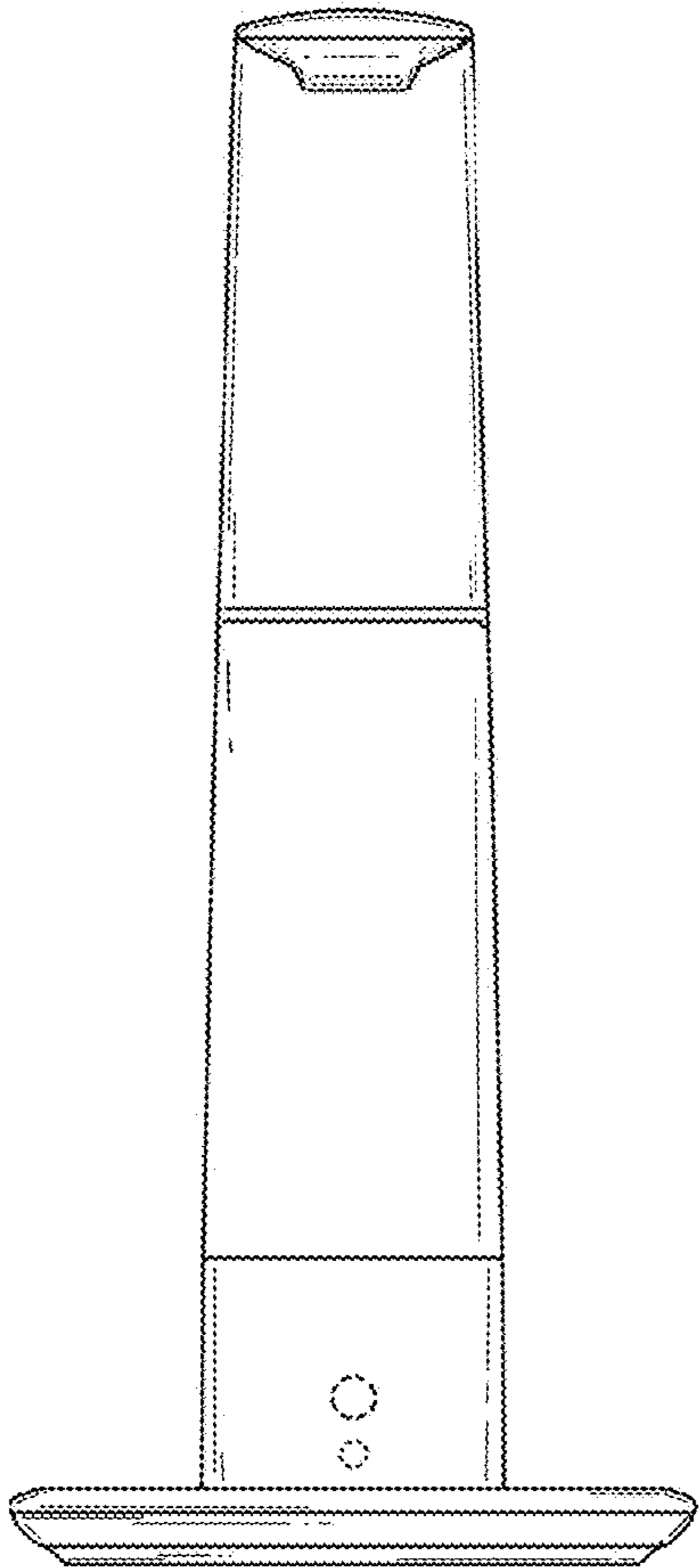


Fig. 5

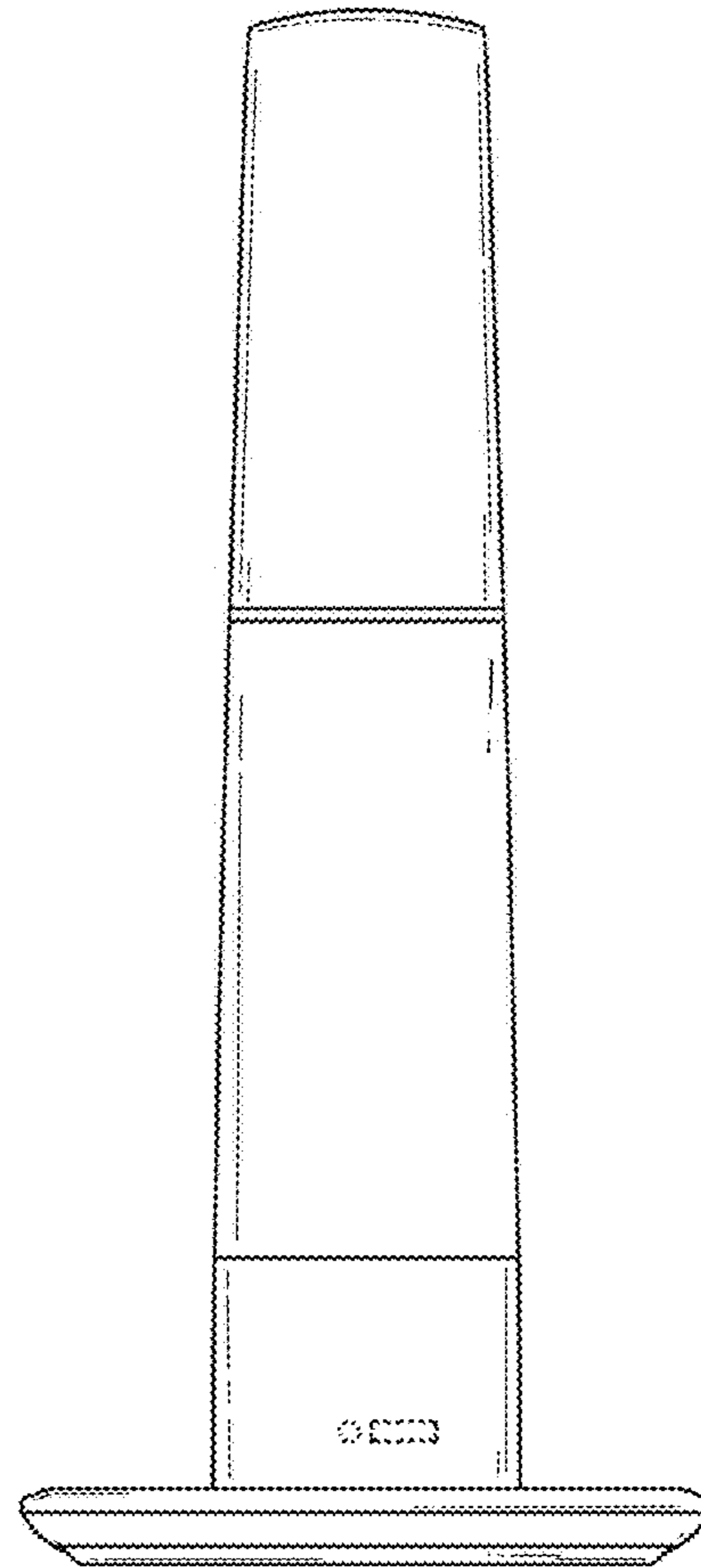


Fig. 6

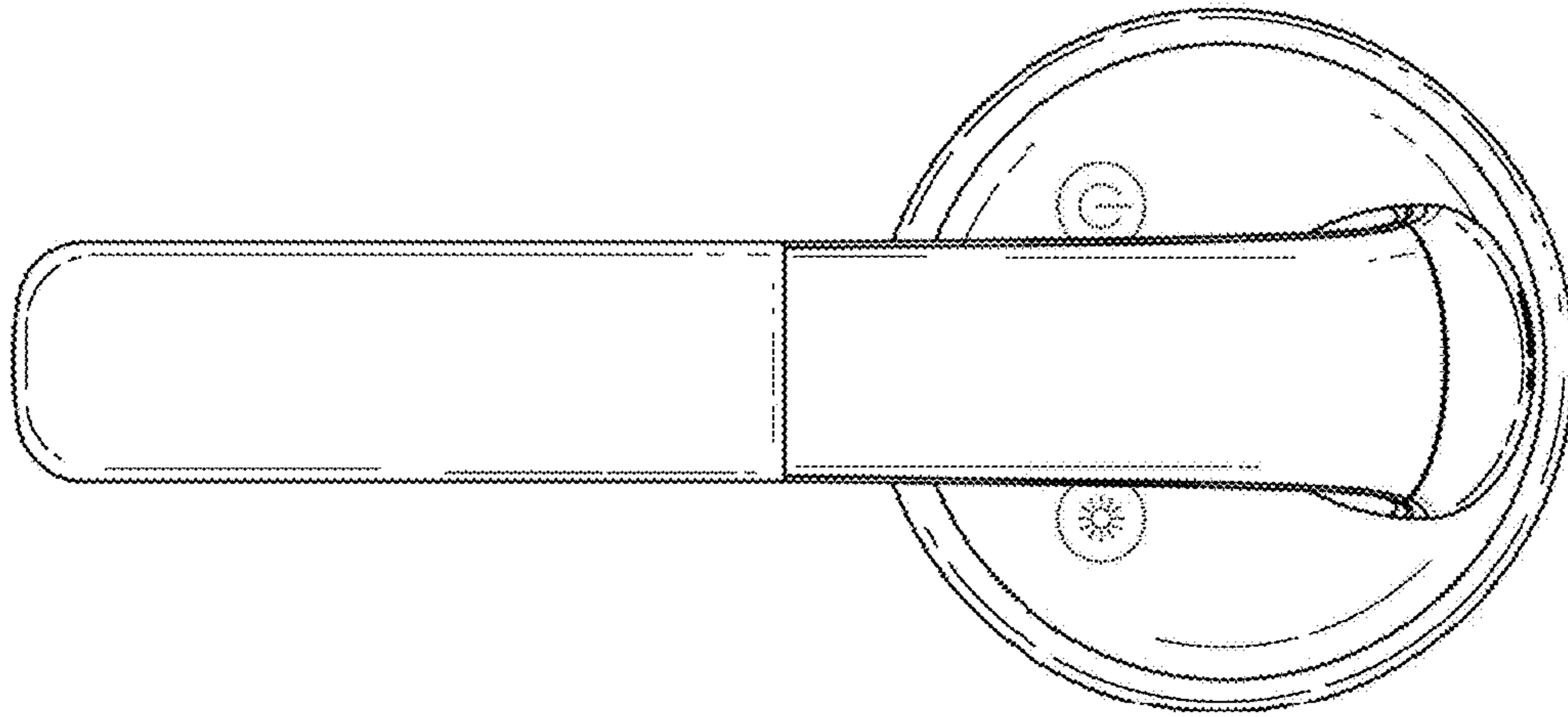


Fig. 7

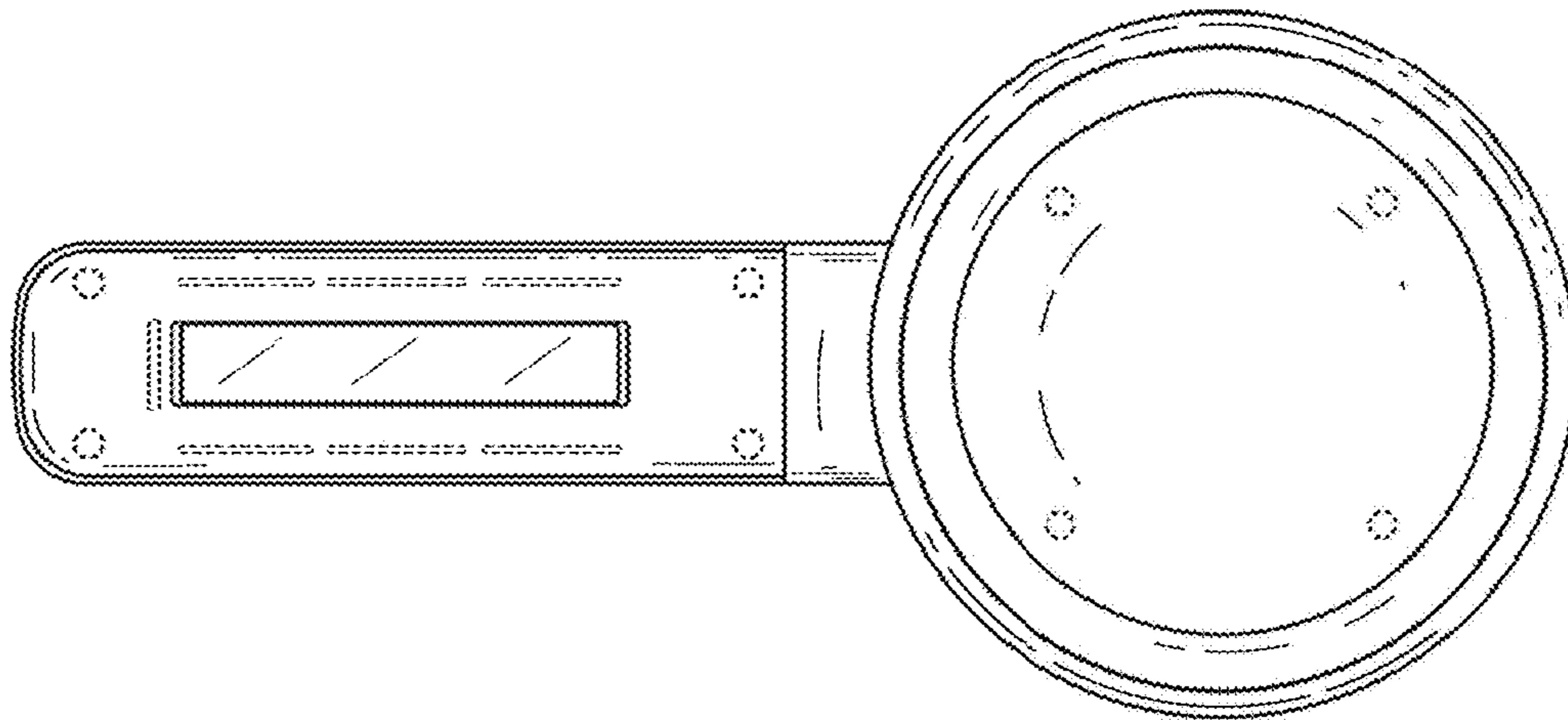


Fig. 8