



US00D809184S

(12) **United States Design Patent** (10) **Patent No.:** **US D809,184 S**
Decq (45) **Date of Patent:** **** Jan. 30, 2018**

(54) **LIGHTING FIXTURE**
(71) Applicant: **PHILIPS LIGHTING HOLDING**
B.V., Eindhoven (NL)

(72) Inventor: **Odile Decq, Paris (FR)**

(73) Assignee: **PHILIPS LIGHTING HOLDING**
B.V., Eindhoven (NL)

(**) Term: **15 Years**

(21) Appl. No.: **35/501,683**

(22) Filed: **Sep. 27, 2016**

(80) **Hague Agreement Data**

Int. Filing Date: **Sep. 27, 2016**
Int. Reg. No.: **DM/092725**
Int. Reg. Date: **Sep. 27, 2016**
Int. Reg. Pub. Date: **Oct. 7, 2016**

(30) **Foreign Application Priority Data**

Apr. 5, 2016 (EM) 003056464-0001

(51) **LOC (11) Cl.** **26-03**

(52) **U.S. Cl.**
USPC **D26/90**

(58) **Field of Classification Search**
USPC D26/83-90; D6/708
CPC .. F21S 6/002; F21S 6/005; F21S 10/00; F21S
6/003; F21S 6/006
See application file for complete search history.

(56) **References Cited**

U.S. PATENT DOCUMENTS

D647,238 S * 10/2011 Su D26/71
D664,284 S * 7/2012 Komarov D26/118
D684,296 S * 6/2013 Henderson D26/118

* cited by examiner

Primary Examiner — Michael A Pratt

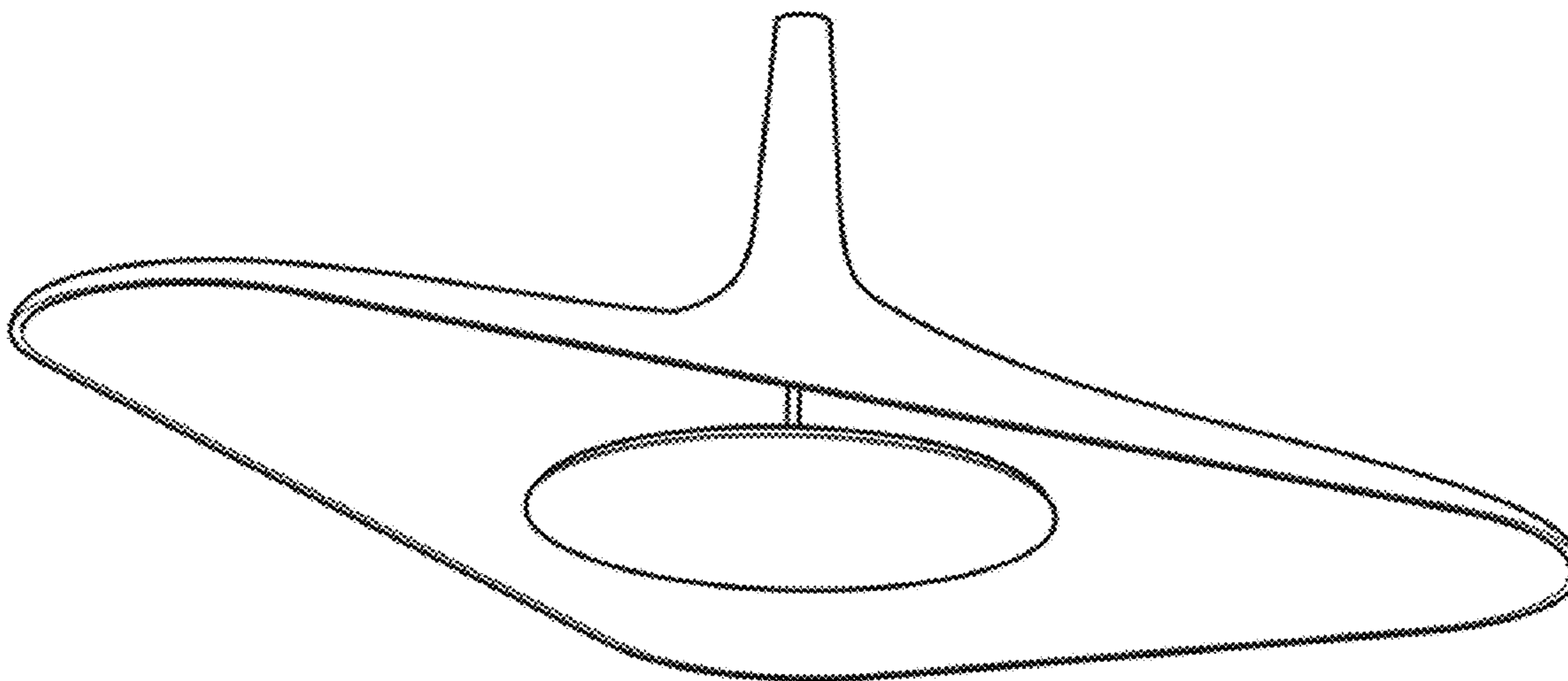
(57) **CLAIM**

The ornamental design for a lighting fixture, as shown and described.

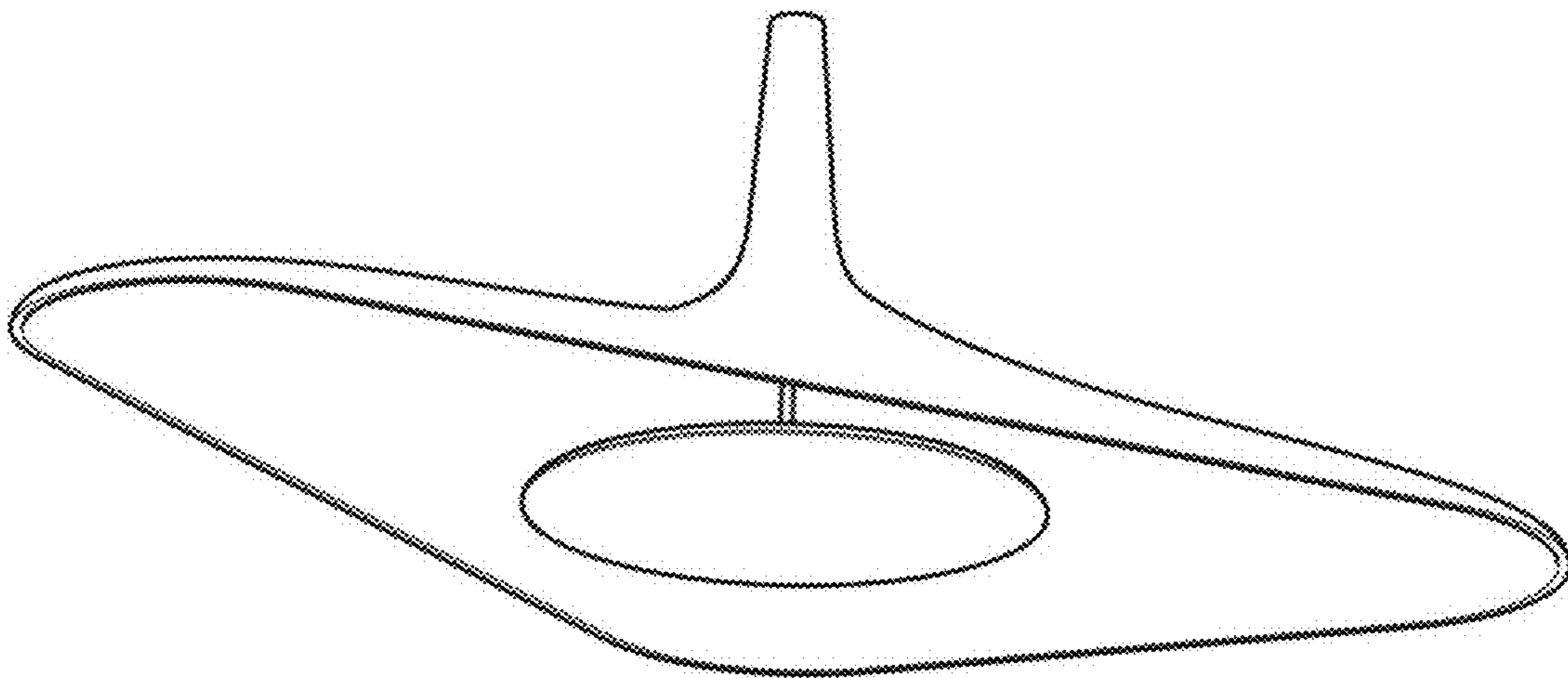
DESCRIPTION

- 1. Lighting fixture
- 1.1 : Perspective
- 1.2 : Front
- 1.3 : Back
- 1.4 : Right
- 1.5 : Left
- 1.6 : Top
- 1.7 : Bottom

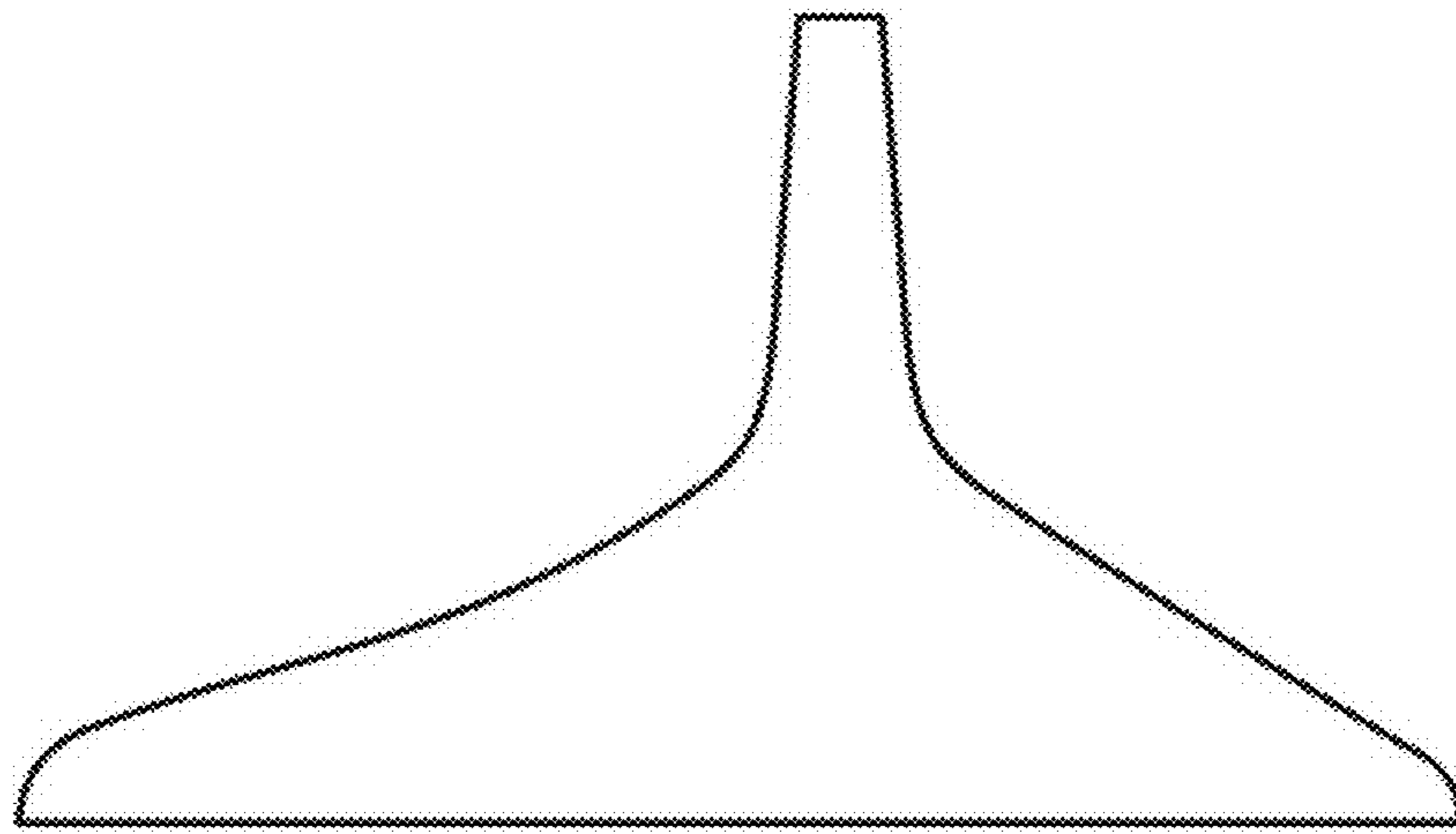
1 Claim, 7 Drawing Sheets



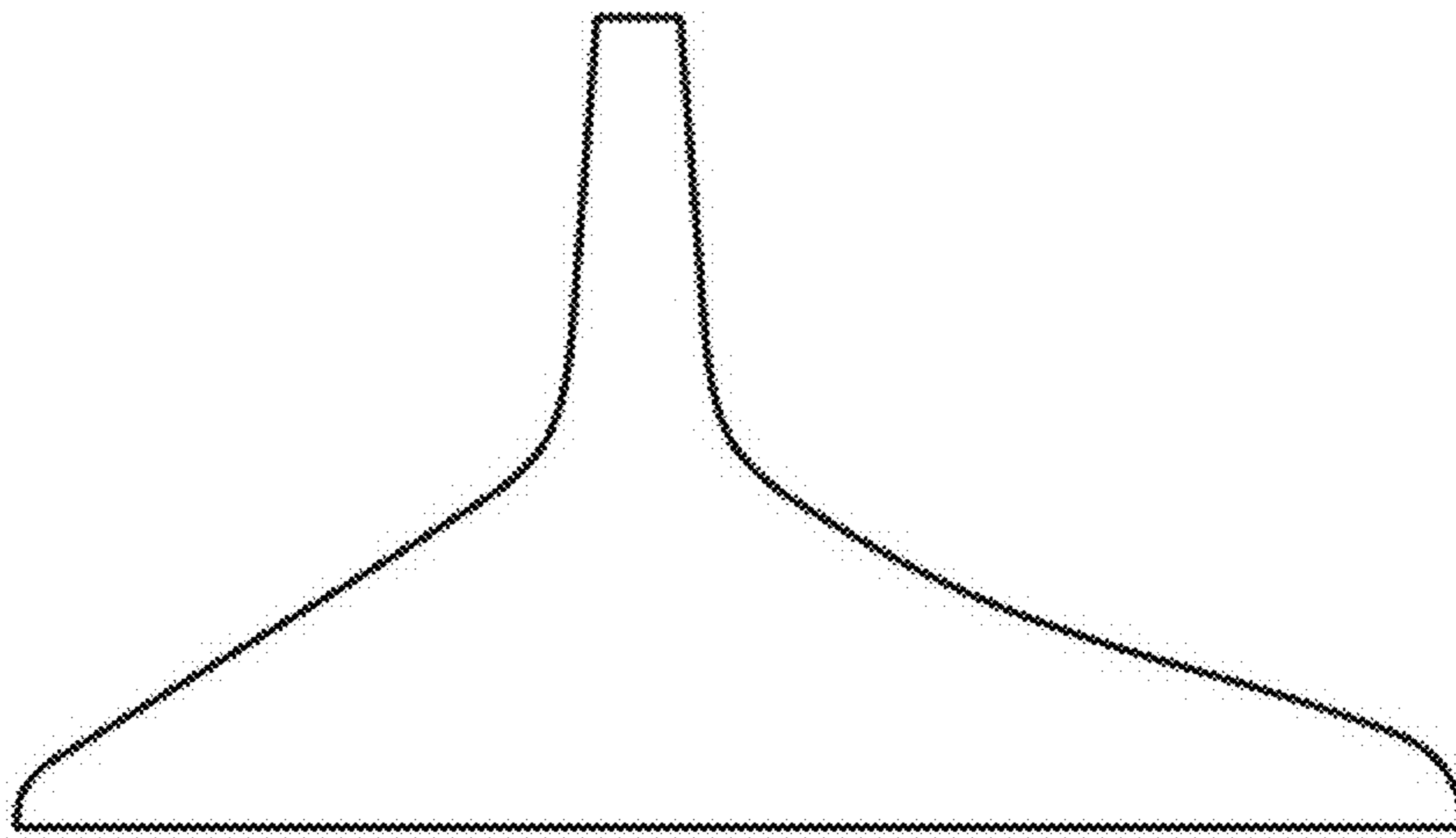
1.1



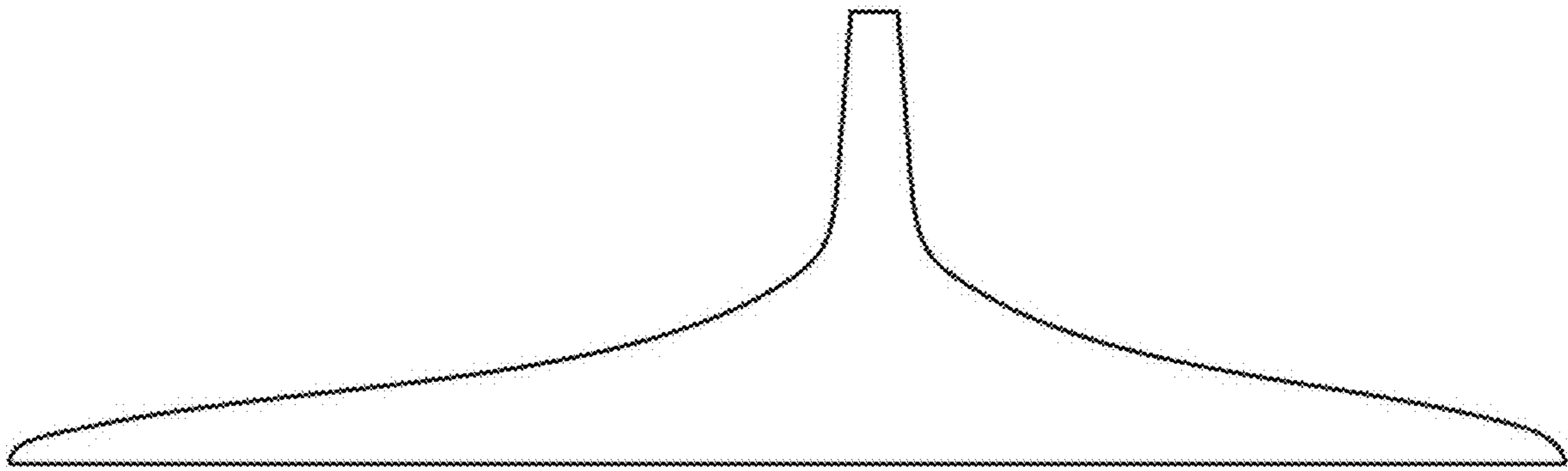
1.2



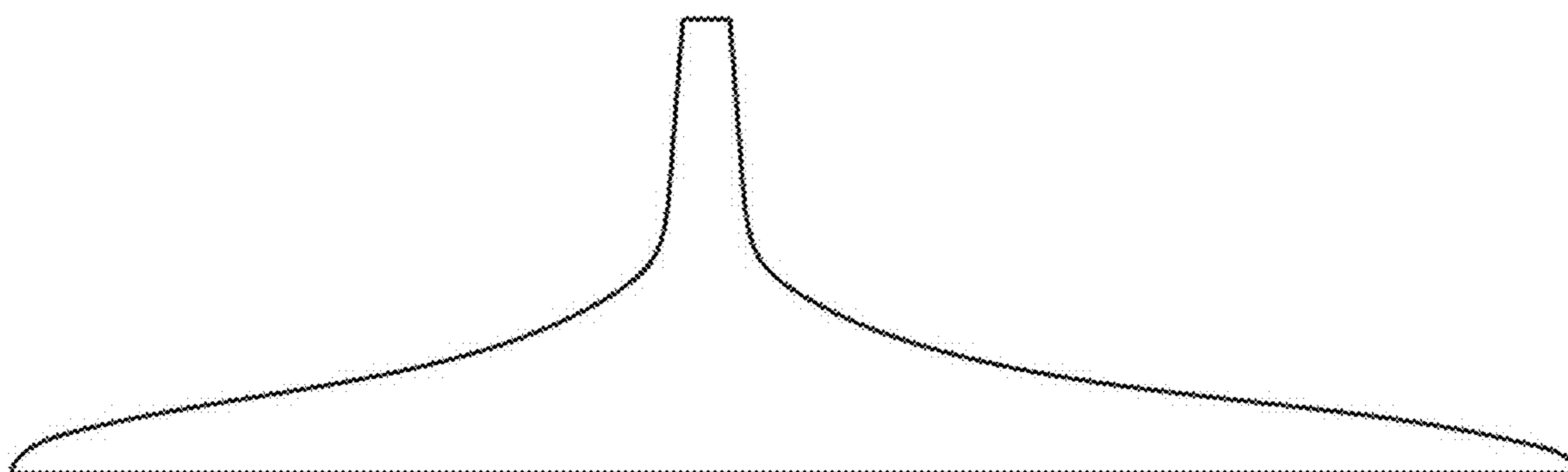
1.3



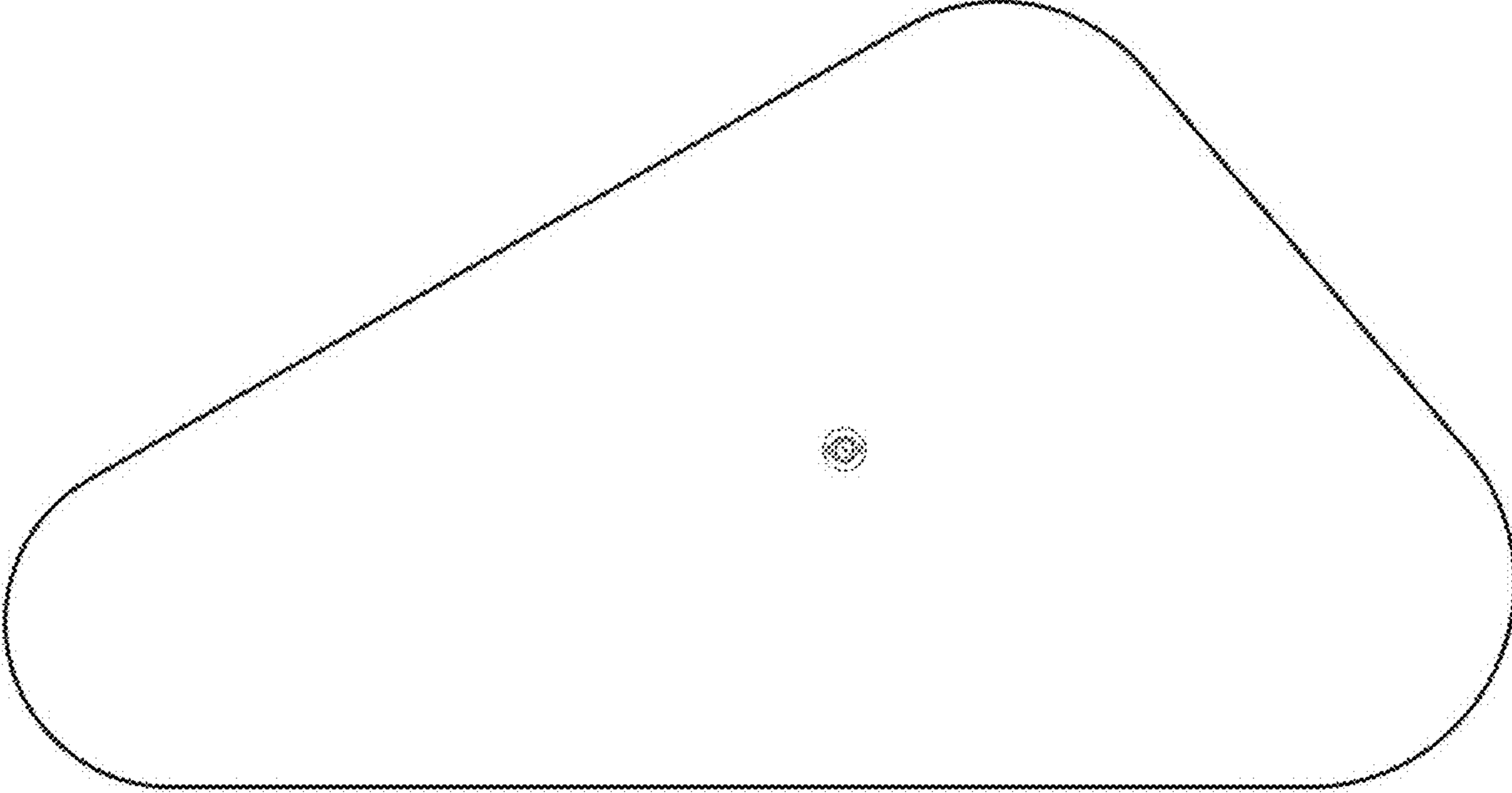
1.4



1.5



1.6



1.7

