



US00D809180S

(12) **United States Design Patent**  
**Oh et al.**

(10) **Patent No.:** **US D809,180 S**  
(45) **Date of Patent:** **\*\* Jan. 30, 2018**

(54) **LAMP**

(71) Applicant: **Samsung Electronics Co., Ltd.**,  
Suwon-si (KR)

(72) Inventors: **Yuna Oh**, Susansi (KR); **Junghyun Shim**,  
Yongin-si (KR); **Seonwoo Yoo**, Seoul (KR)

(73) Assignee: **Samsung Electronics Co., Ltd.**,  
Suwon-si (KR)

(\*\*) Term: **15 Years**

(21) Appl. No.: **29/558,383**

(22) Filed: **Mar. 17, 2016**

(51) **LOC (11) Cl.** ..... **26-03**

(52) **U.S. Cl.**  
USPC ..... **D26/86; D26/88**

(58) **Field of Classification Search**  
USPC ..... D26/80-91, 118, 128  
CPC .... F21S 8/03; F21S 8/033; F21S 8/036; F21S  
8/04; F21S 8/043; F21S 8/046; F21S  
8/06; F21S 8/061; F21S 8/063; F21S  
8/065; F21S 8/068  
See application file for complete search history.

(56) **References Cited**

**U.S. PATENT DOCUMENTS**

- 248,424 A \* 10/1881 Edison ..... F21V 29/004  
362/241
- D40,995 S \* 11/1910 Gardiner ..... D26/88
- D42,118 S \* 1/1912 Benjamin ..... D26/88
- D80,265 S \* 1/1930 Gleason ..... D26/86
- D81,234 S \* 5/1930 Gunnison ..... D26/86
- D89,354 S \* 2/1933 Rogers ..... D26/86
- D90,939 S \* 10/1933 Beck ..... D26/88
- 2,059,868 A \* 11/1936 Hoeveler ..... F21S 13/00  
362/343
- D102,906 S \* 1/1937 Lescaze ..... D26/88
- D132,276 S \* 5/1942 Greppin ..... D26/86

- D134,355 S \* 11/1942 Rolph ..... D26/88
  - 2,309,676 A \* 2/1943 Schmidling ..... F21S 8/04  
252/301.5
  - D150,357 S \* 7/1948 Herbster ..... D23/390
- (Continued)

**FOREIGN PATENT DOCUMENTS**

- EM 001148183-0002 8/2009
- EM 002750356-0001 9/2015
- KR 30-2012-0036053 11/2013

*Primary Examiner* — Clare E Heflin

(74) *Attorney, Agent, or Firm* — NSIP Law

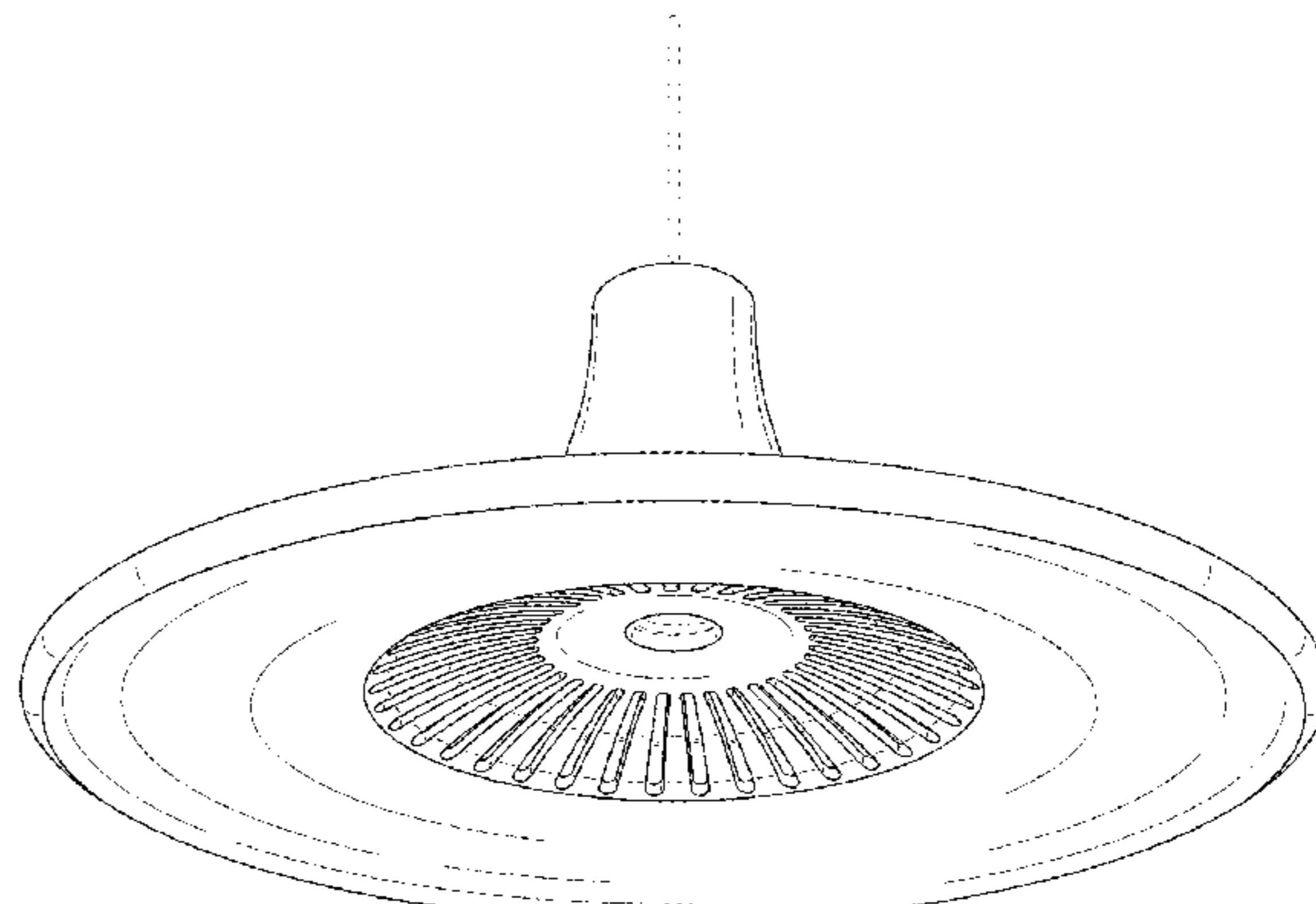
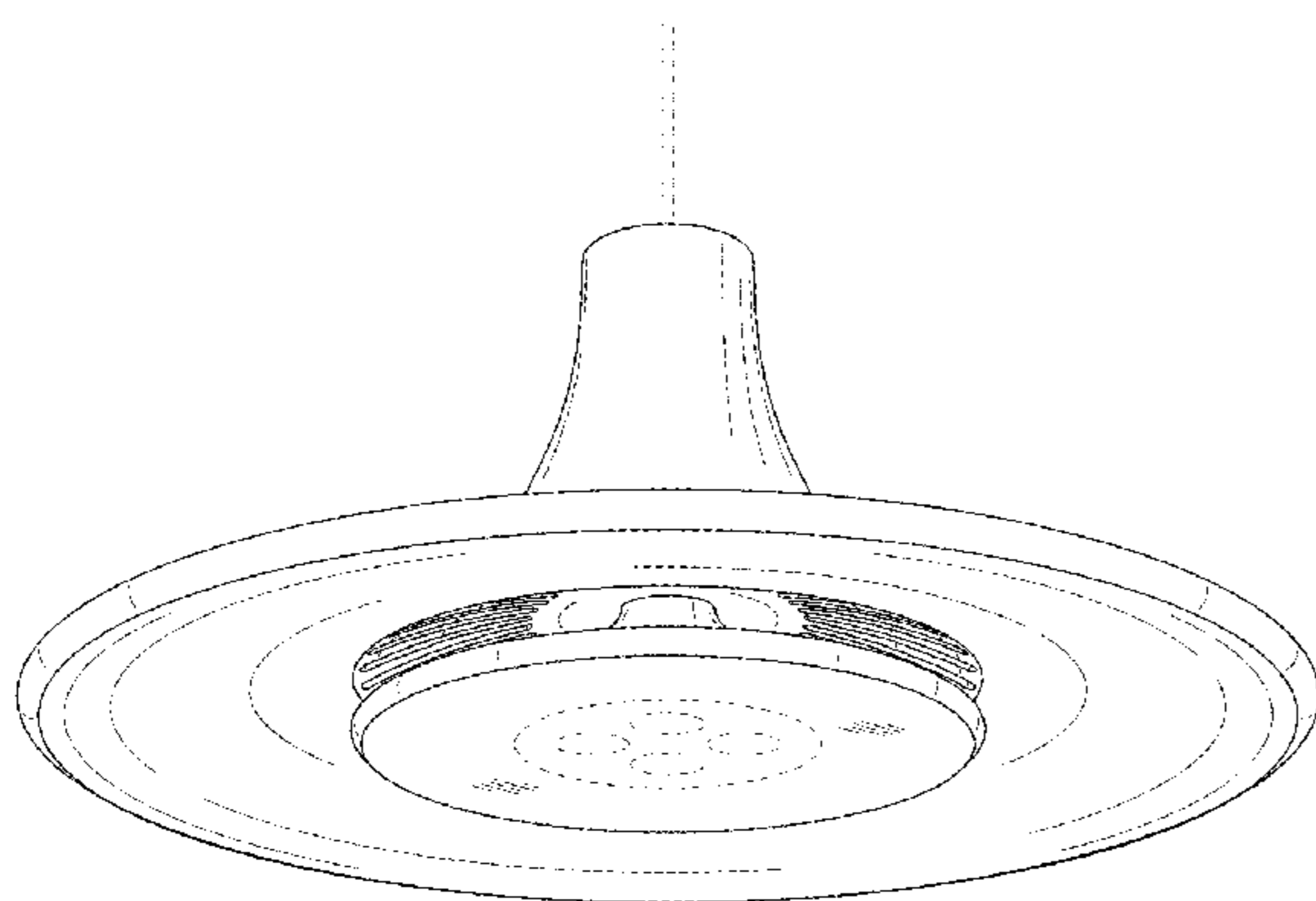
(57) **CLAIM**

We claim the ornamental design for a lamp, as shown and described.

**DESCRIPTION**

FIG. 1 is a front perspective view of a lamp showing our new design;  
 FIG. 2 is a front view thereof;  
 FIG. 3 is a rear view thereof;  
 FIG. 4 is a left-side view thereof;  
 FIG. 5 is a right-side view thereof;  
 FIG. 6 is a top view thereof;  
 FIG. 7 is a bottom view thereof;  
 FIG. 8 is a bottom perspective view thereof;  
 FIG. 9 is a front perspective view of another embodiment of a lamp showing our new design;  
 FIG. 10 is a front view thereof;  
 FIG. 11 is a rear view thereof;  
 FIG. 12 is a left-side view thereof;  
 FIG. 13 is a right-side view thereof;  
 FIG. 14 is a top view thereof;  
 FIG. 15 is a bottom view thereof; and,  
 FIG. 16 is a bottom perspective view thereof.  
 The broken lines in the figures depict environmental subject matter and form no part of the claimed design.

**1 Claim, 16 Drawing Sheets**



(56)

**References Cited**

U.S. PATENT DOCUMENTS

2,603,738 A \* 7/1952 Schubert, Jr. .... A01K 31/20  
119/309  
D303,437 S \* 9/1989 Mason ..... D26/86  
D346,459 S \* 4/1994 King ..... D26/72  
D445,526 S \* 7/2001 Wang ..... D26/76  
D496,124 S \* 9/2004 Parres ..... D26/85  
D655,849 S \* 3/2012 Sabernig ..... D26/85  
D656,265 S \* 3/2012 Sabernig ..... D26/88  
D659,883 S \* 5/2012 Herremans ..... D26/88  
D702,869 S \* 4/2014 Kondou ..... D26/88  
2014/0177227 A1\* 6/2014 Kim ..... F21S 8/063  
362/294  
2017/0016599 A1\* 1/2017 Wang ..... F21S 9/03

\* cited by examiner

FIG. 1

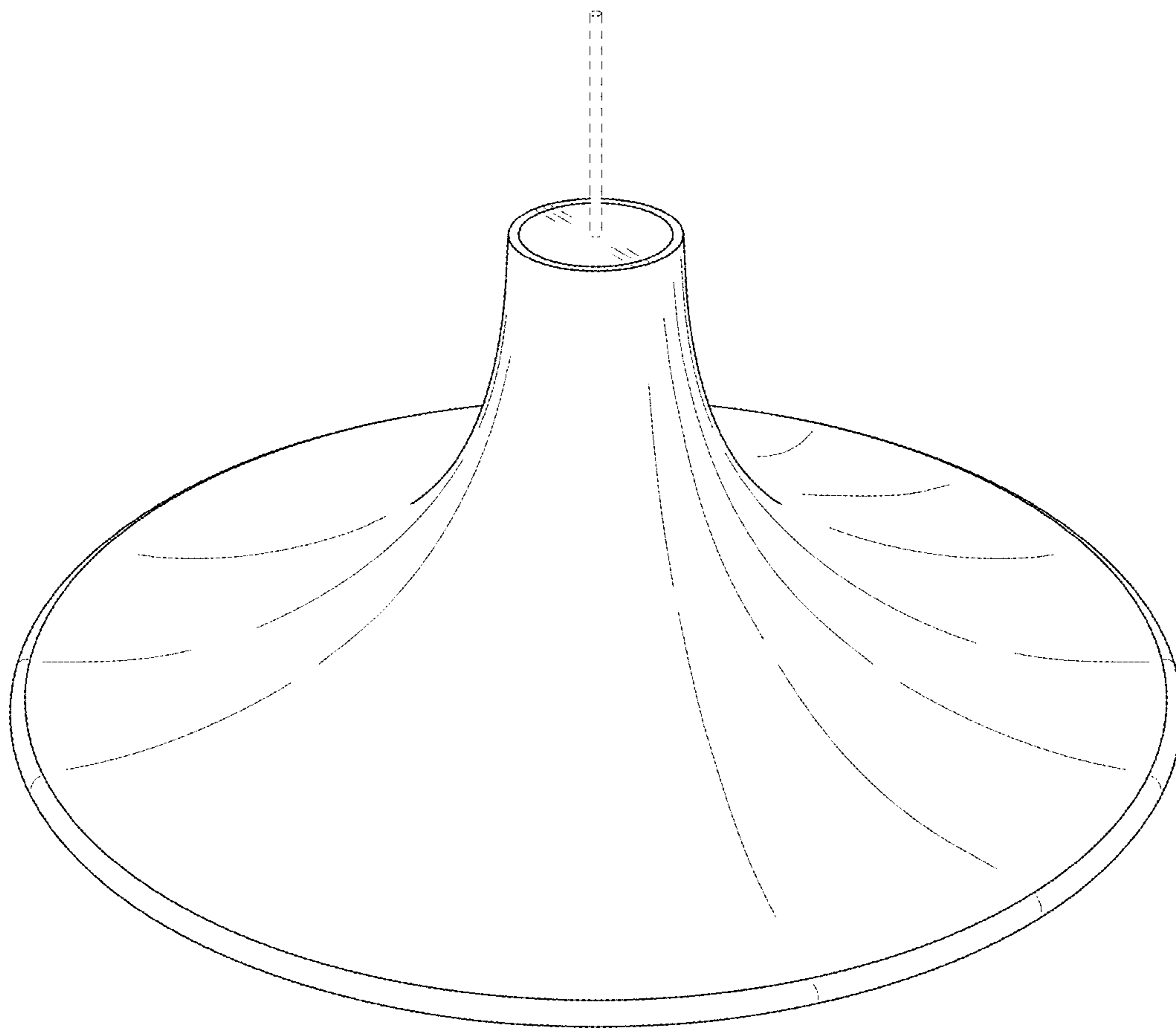


FIG. 2

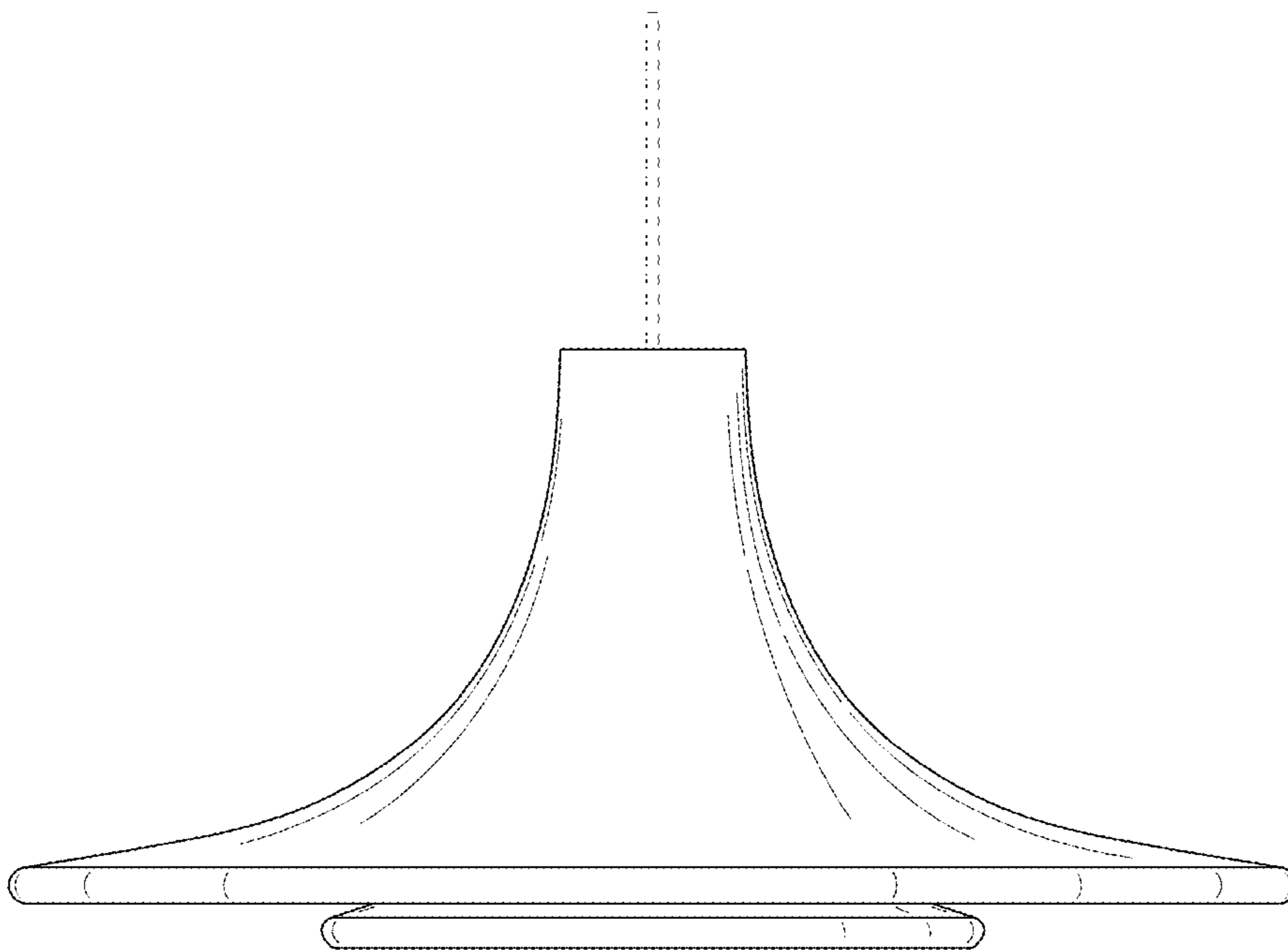


FIG. 3

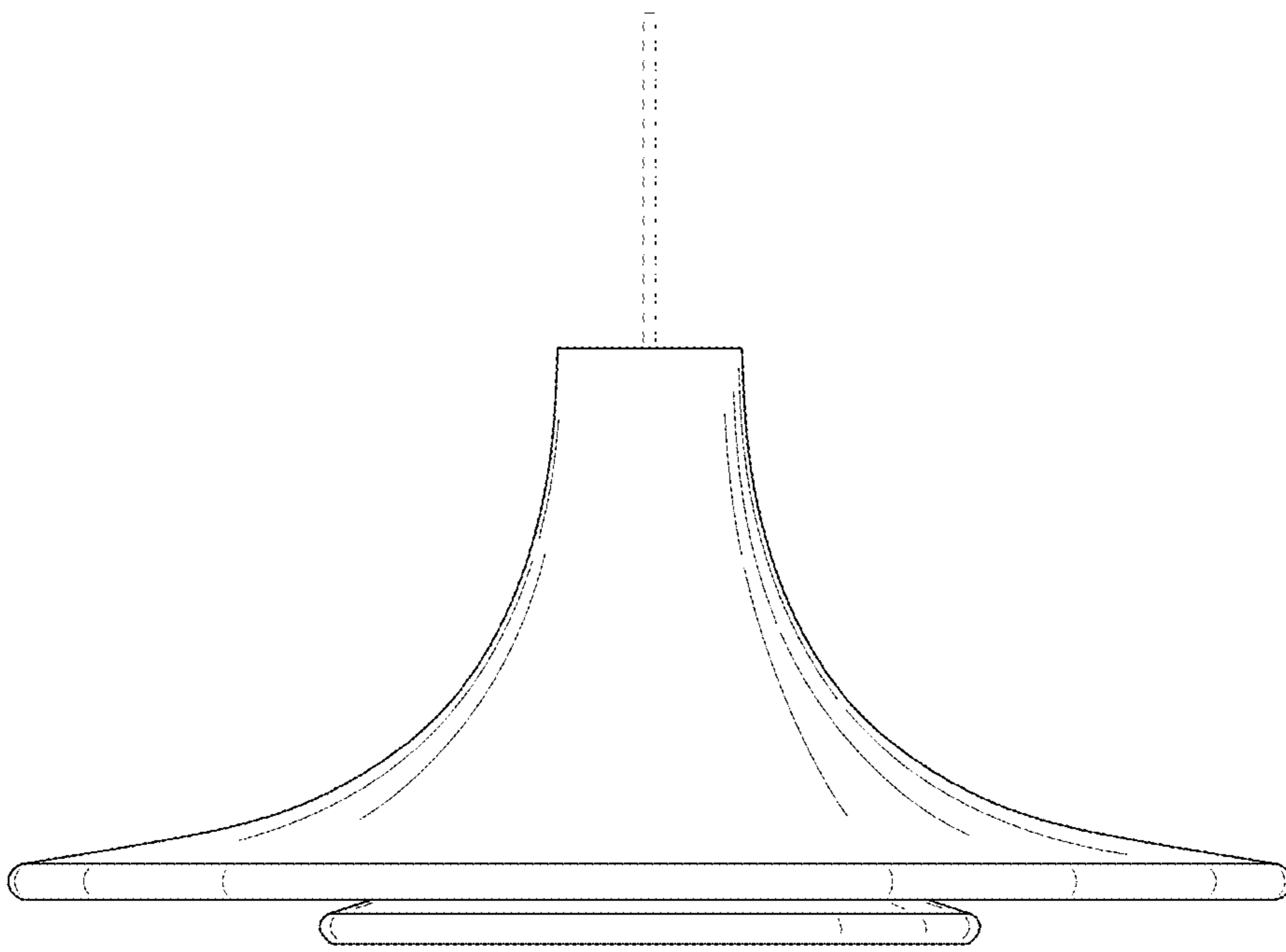


FIG. 4

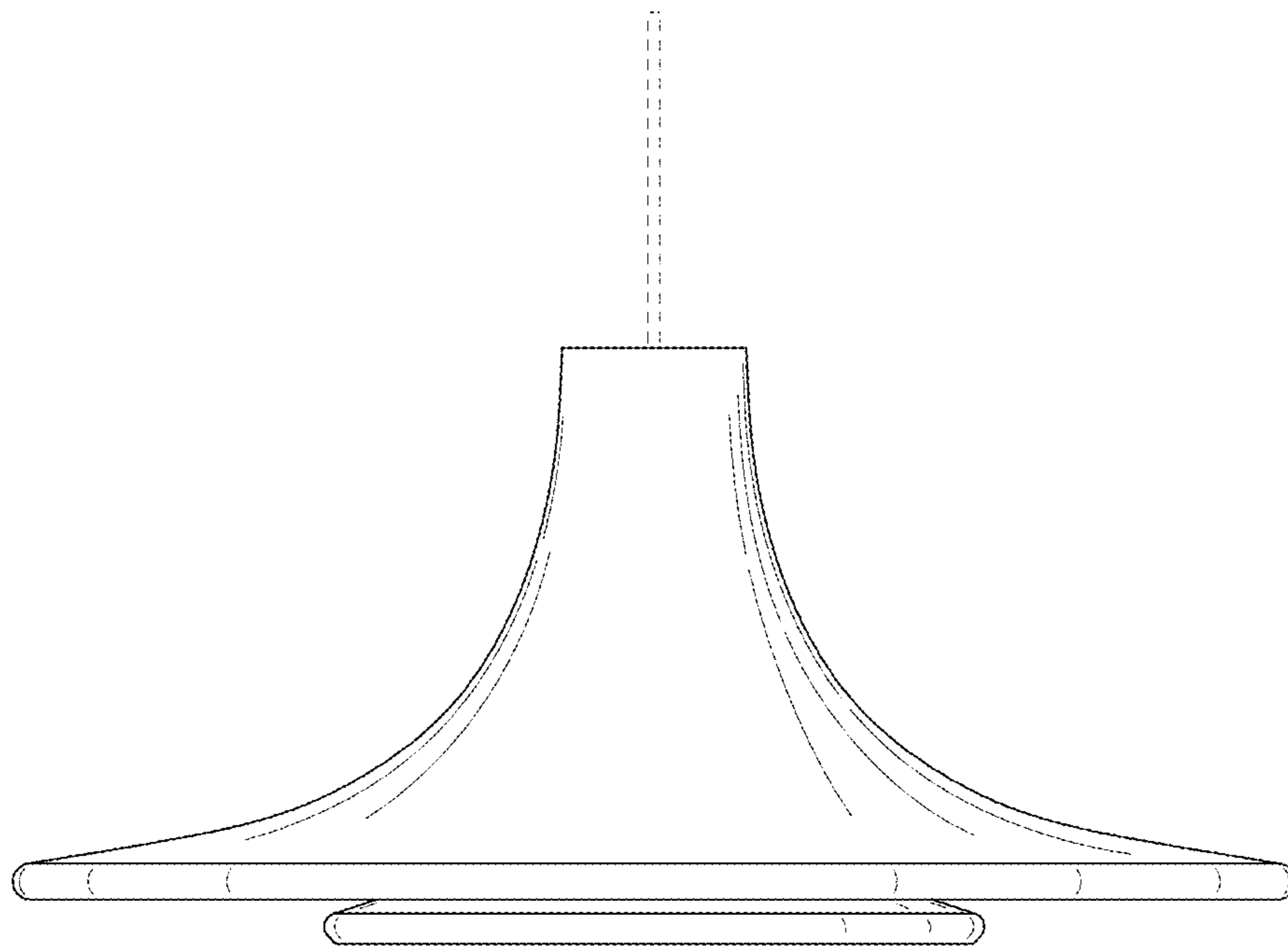


FIG. 5

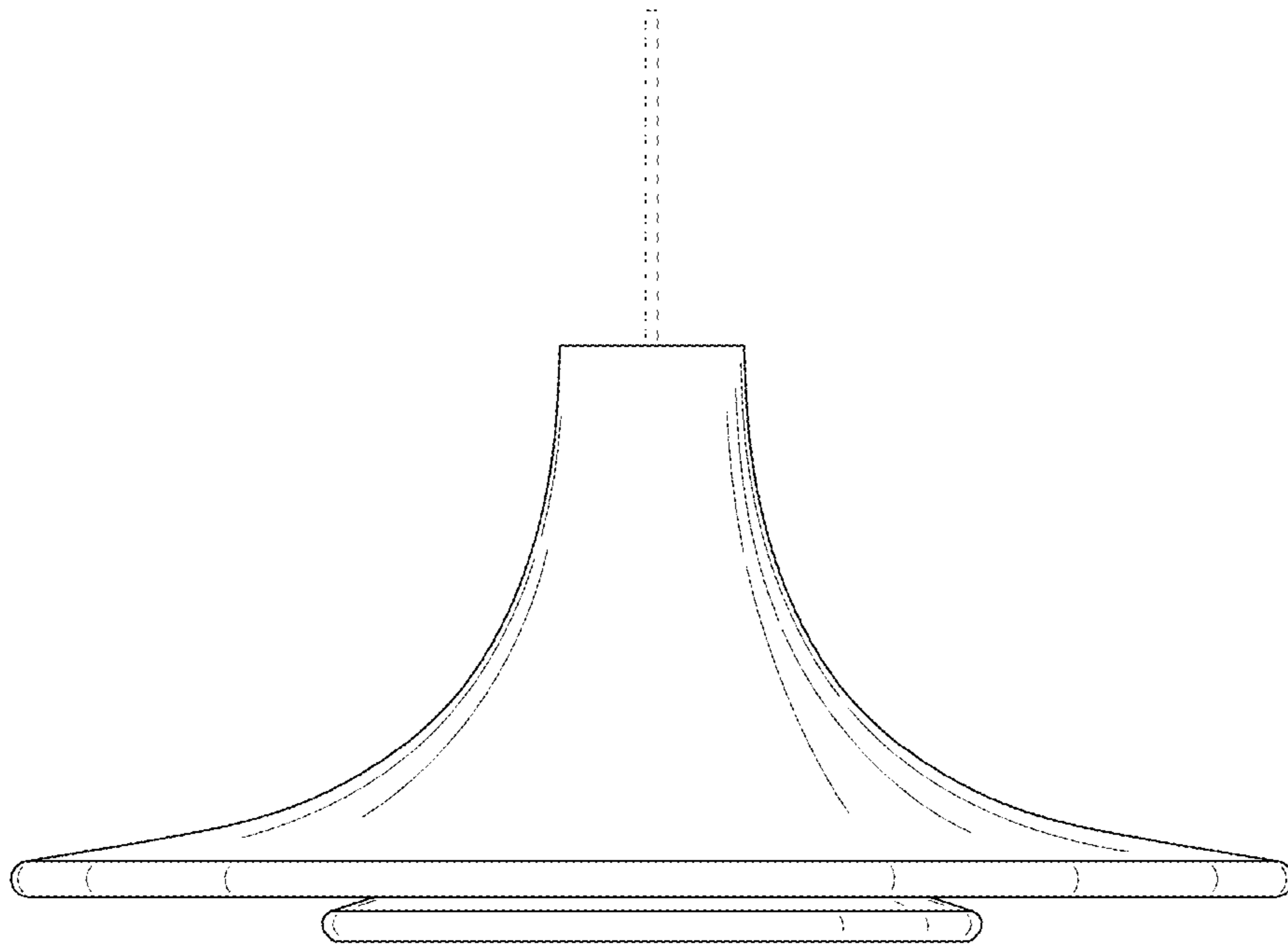


FIG. 6

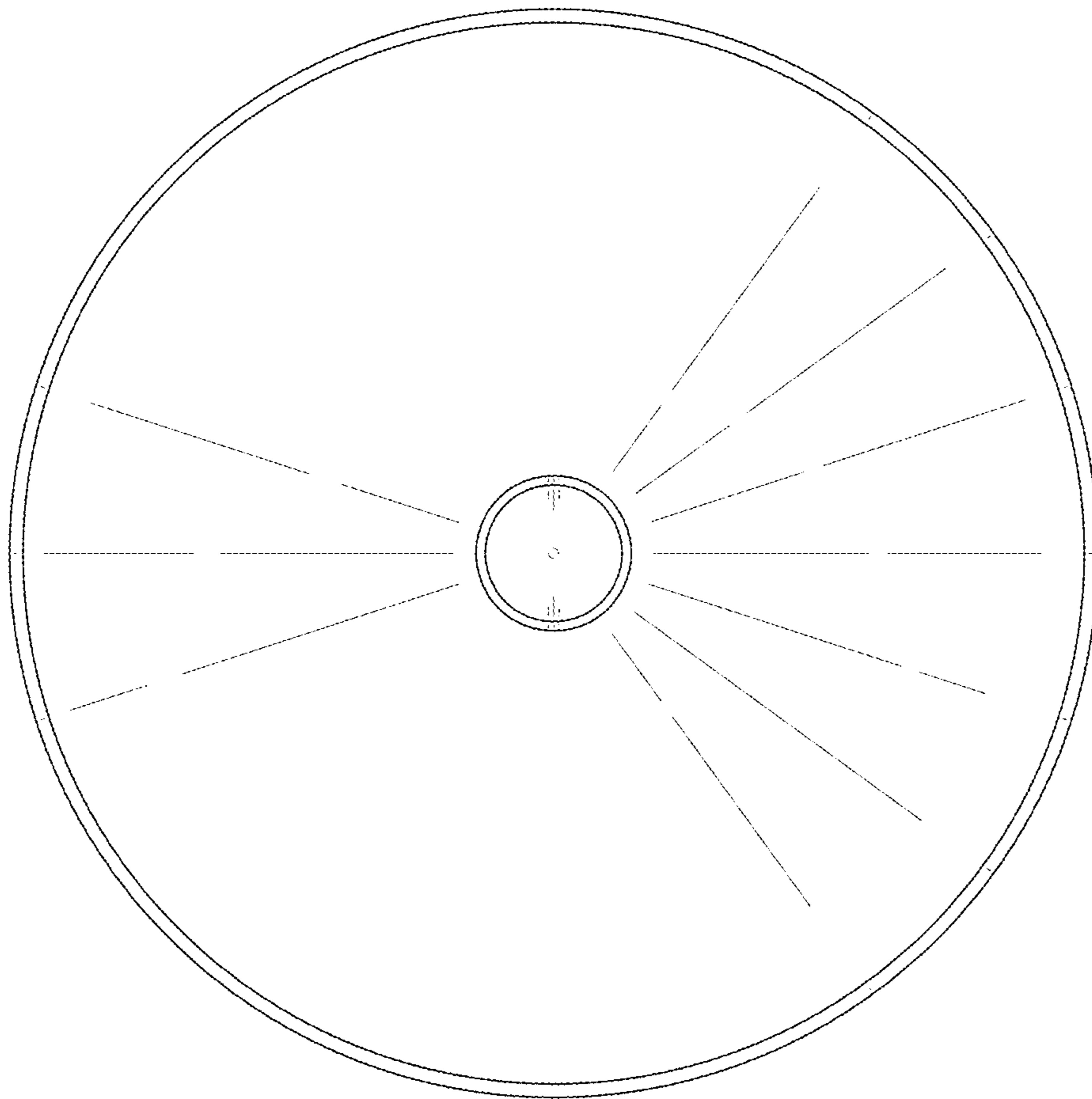




FIG. 7

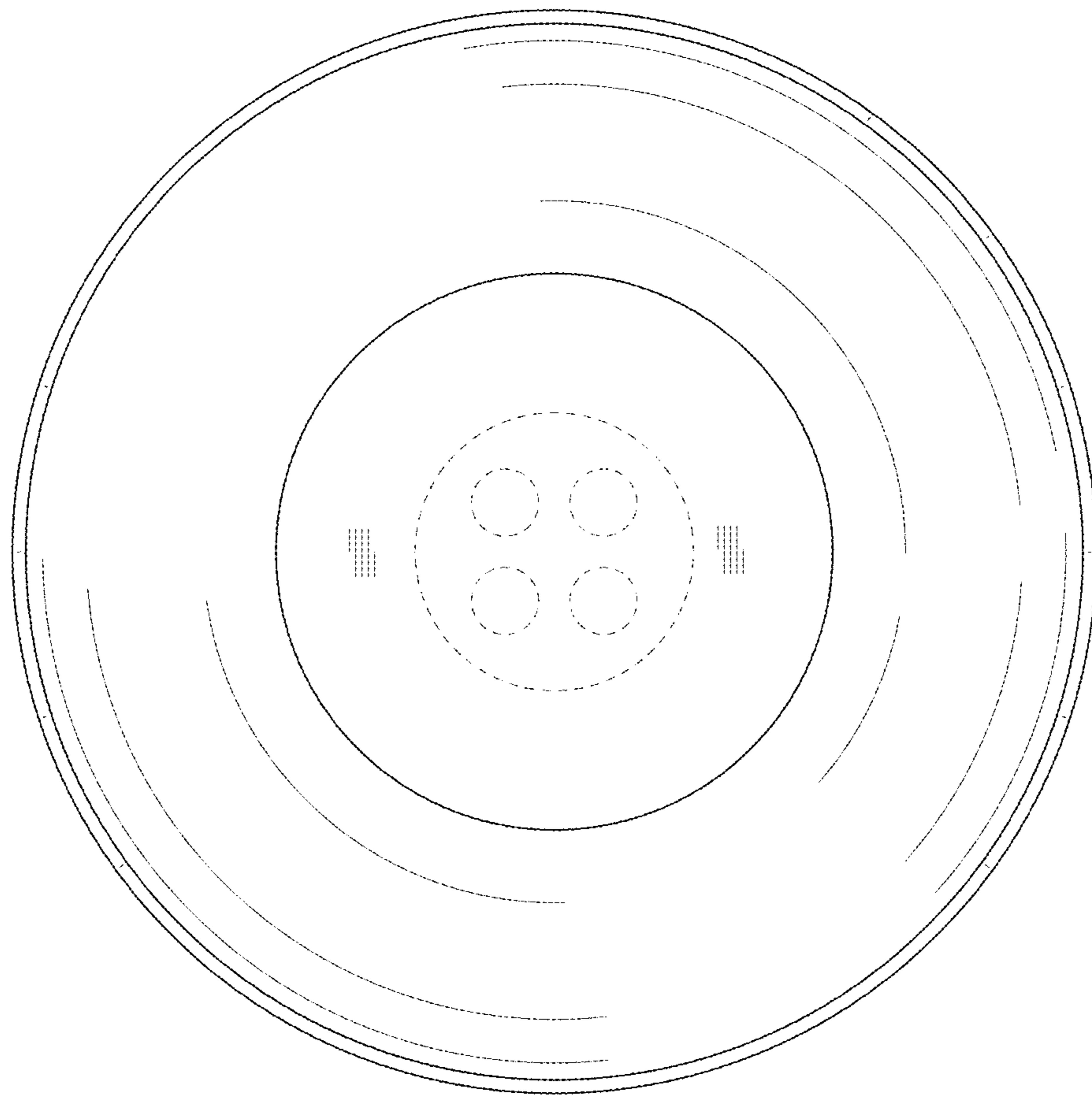


FIG. 8

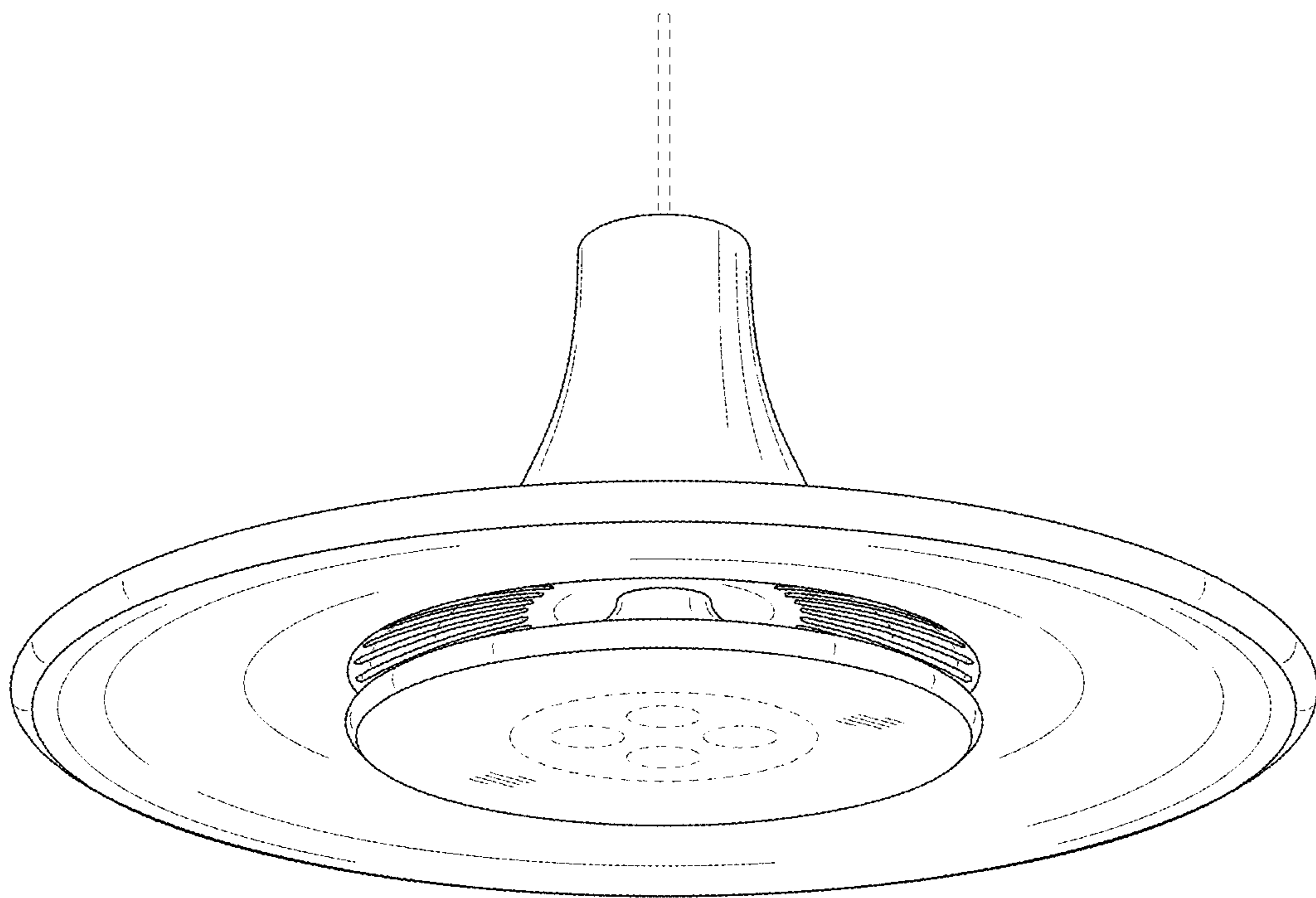


FIG. 9

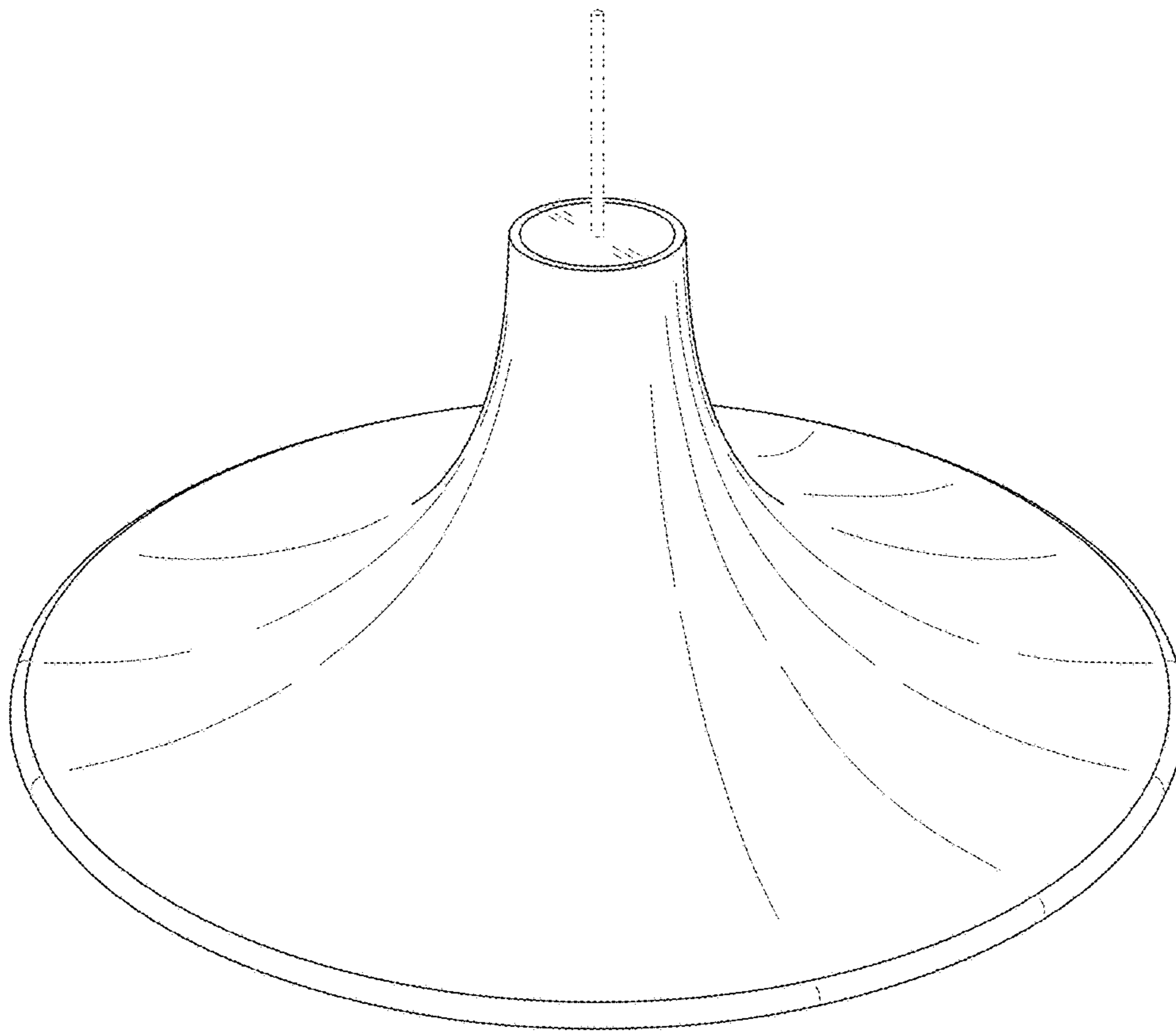


FIG. 10

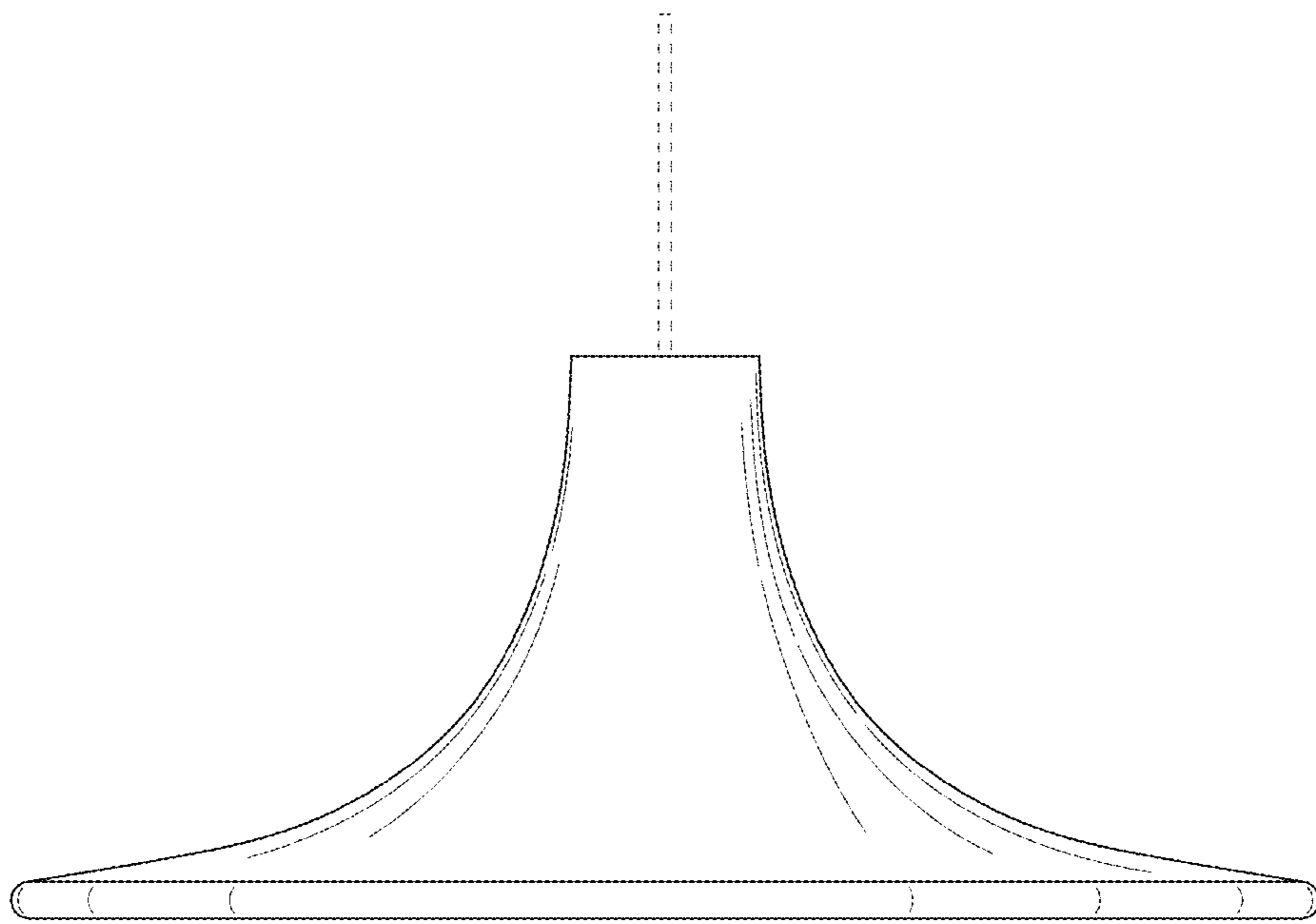


FIG. 11

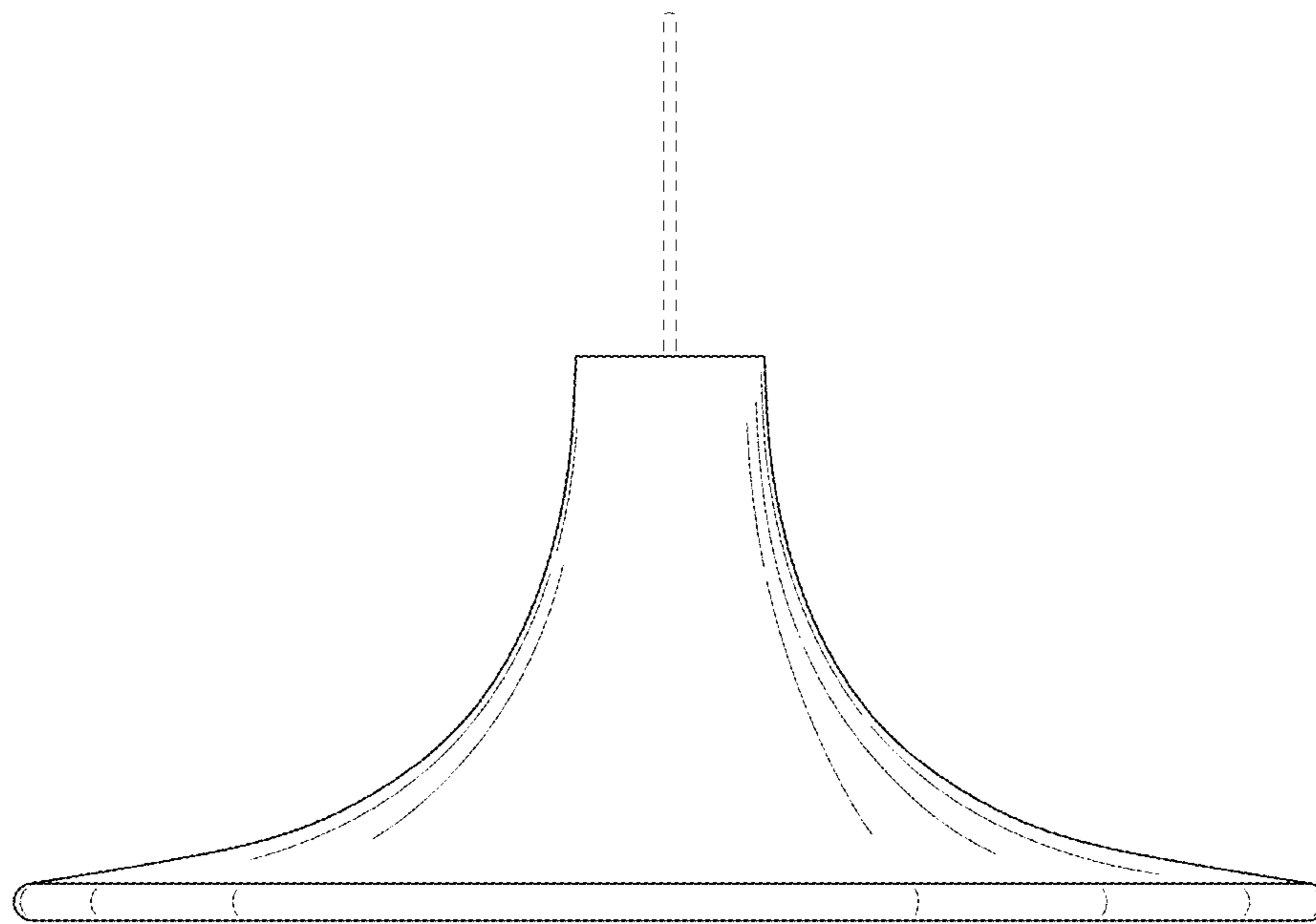


FIG. 12

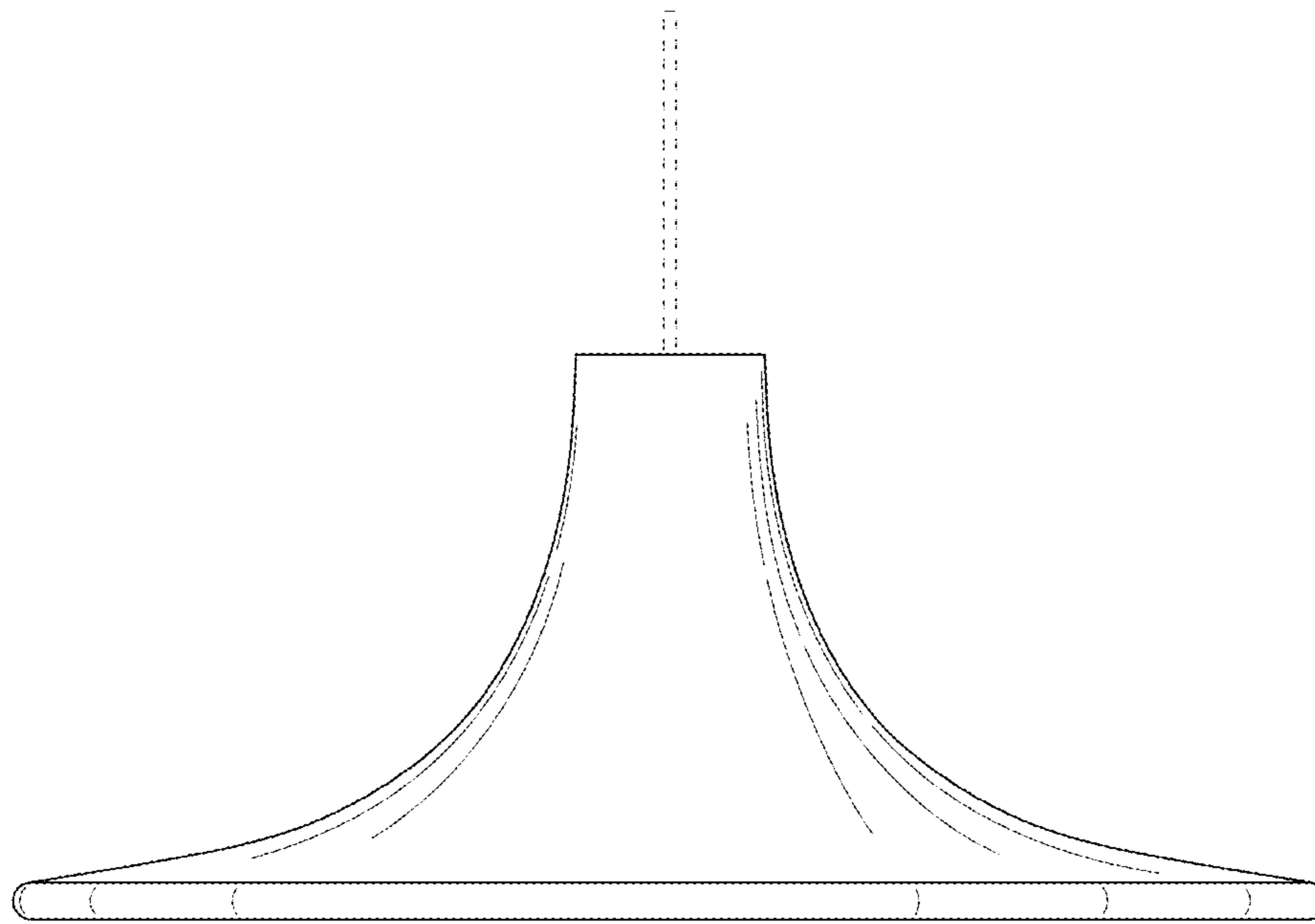


FIG. 13

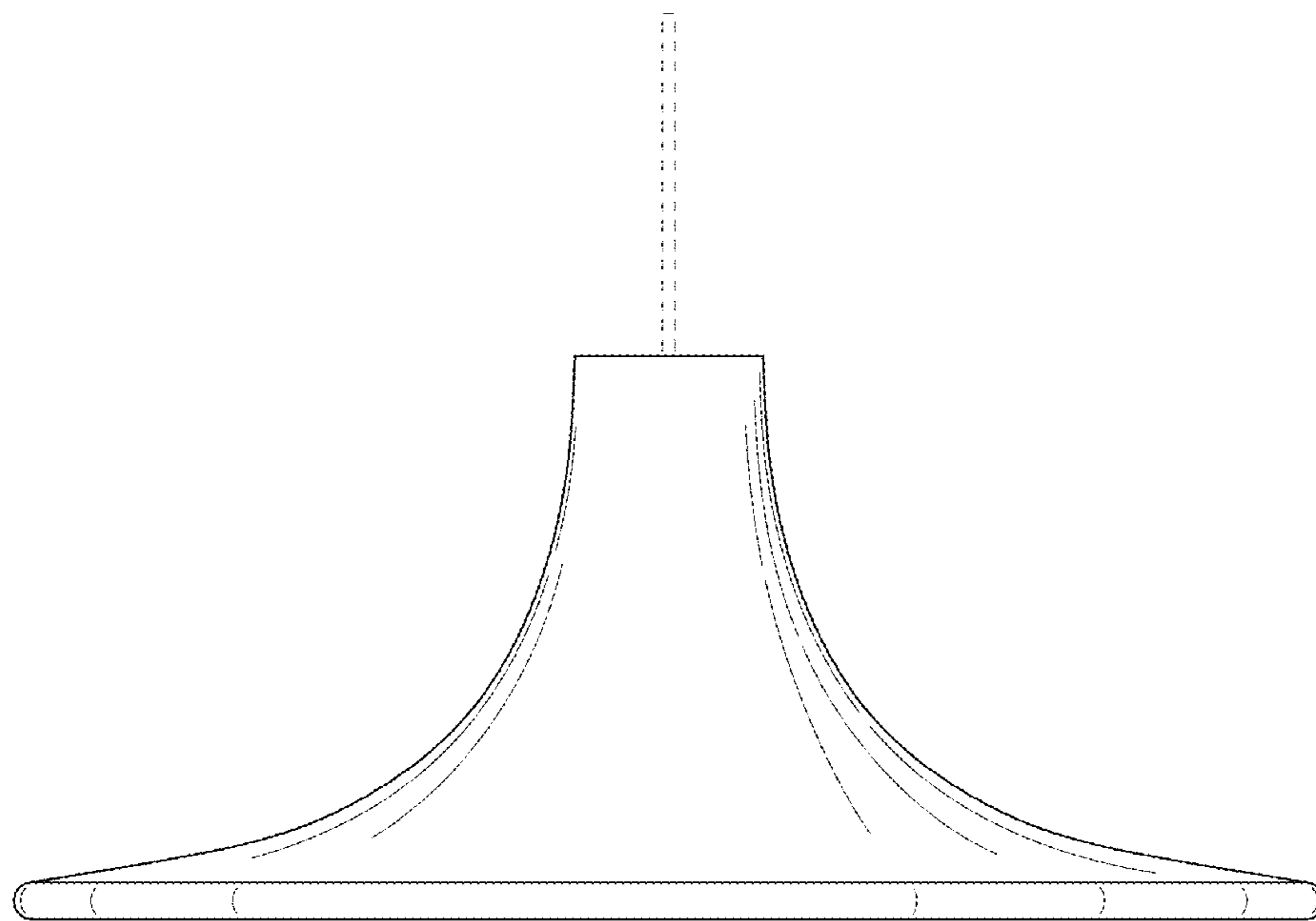


FIG. 14

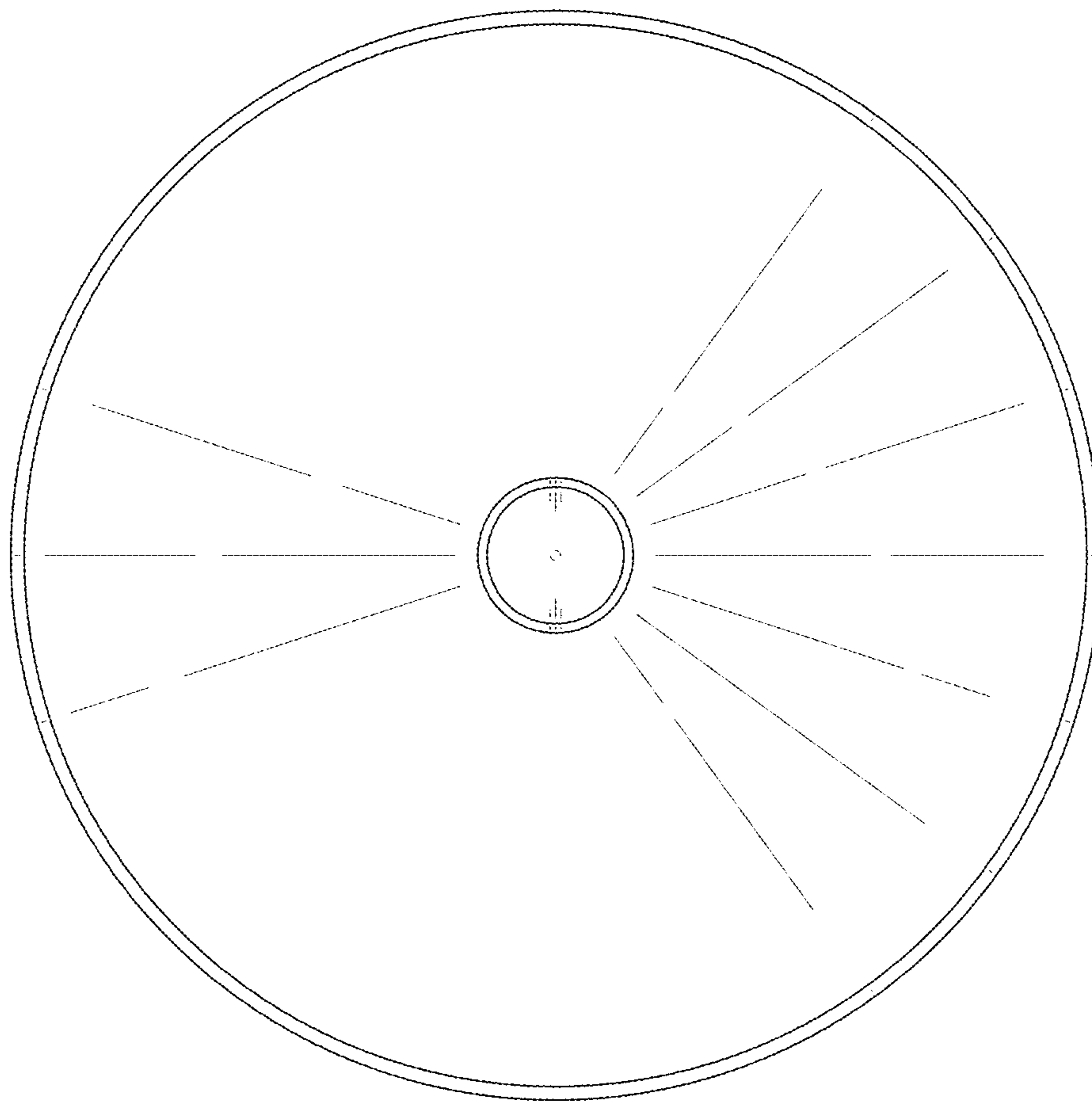




FIG. 15

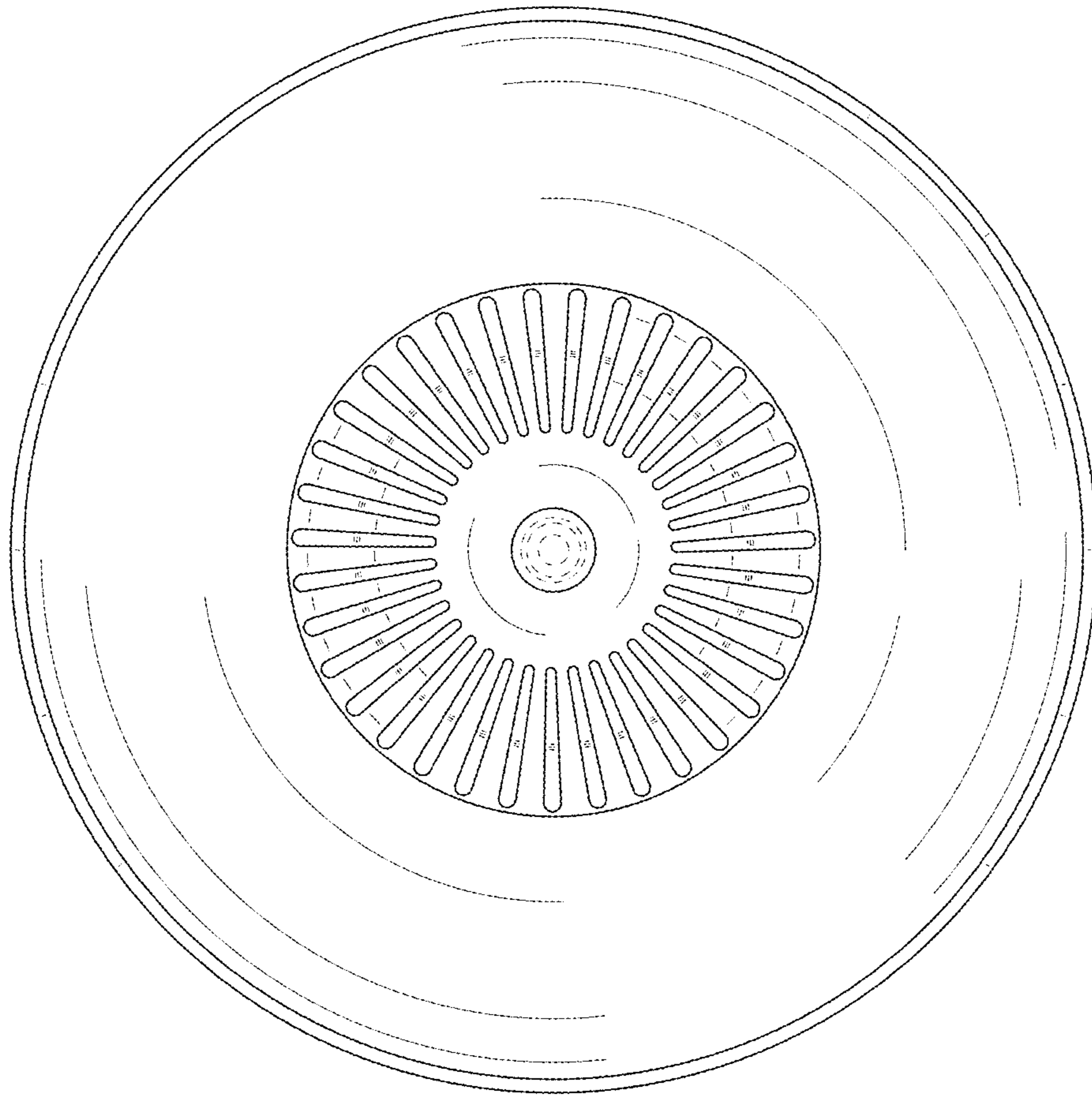


FIG. 16

