



US00D809177S

(12) **United States Design Patent**  
**Fujisawa**

(10) **Patent No.:** **US D809,177 S**  
(45) **Date of Patent:** **\*\* Jan. 30, 2018**

- (54) **RECESSED CEILING LIGHT**
- (71) Applicant: **MINEBEA MITSUMI INC.**, Nagano (JP)
- (72) Inventor: **Shinichi Fujisawa**, Akiruno (JP)
- (73) Assignee: **MINEBEA MITSUMI INC.**, Nagano (JP)
- (\*\*) Term: **15 Years**
- (21) Appl. No.: **29/580,060**
- (22) Filed: **Oct. 5, 2016**

D723,153 S *	2/2015	Borkholder	.....	D23/411
D726,949 S *	4/2015	Redfern	.....	D26/74
D734,526 S *	7/2015	Gordin	.....	D26/74
D768,325 S *	10/2016	Xu	.....	D26/74
D786,472 S *	5/2017	Redfern	.....	D26/74
D786,474 S *	5/2017	Fujisawa	.....	D26/74

\* cited by examiner

*Primary Examiner* — Angela J Lee

(74) *Attorney, Agent, or Firm* — Pearne & Gordon LLP

(57) **CLAIM**

The ornamental design for a recessed ceiling light, as shown and described.

**DESCRIPTION**

- (30) **Foreign Application Priority Data**  
Apr. 21, 2016 (JP) ..... 2016-008810
- (51) **LOC (11) Cl.** ..... **26-05**
- (52) **U.S. Cl.**  
USPC ..... **D26/74**
- (58) **Field of Classification Search**  
USPC ..... D26/74, 72, 75, 76, 77, 78, 85, 88, 89,  
D26/118, 138, 141; 362/364, 365, 373,  
362/145, 146, 147, 148, 150, 153, 153.1,  
362/294, 296.01, 296.07, 296.08  
See application file for complete search history.

FIG. 1 is a front, top and left-side perspective view of a recessed ceiling light showing my new design;  
 FIG. 2 is a rear, bottom and right-side perspective view thereof;  
 FIG. 3 is a front elevational view thereof;  
 FIG. 4 is a rear elevational view thereof;  
 FIG. 5 is a right-side elevational view thereof;  
 FIG. 6 is a left-side elevational view thereof;  
 FIG. 7 is a top plan view thereof;  
 FIG. 8 is a bottom plan view thereof; and,  
 FIG. 9 is an enlarged cross-sectional view taken along a line 9-9 in FIG. 3 in which the internal mechanism is omitted thereof.

The portions of all drawings shown in broken lines are for illustrative purposes only and form no part of the claimed design.

- (56) **References Cited**  
U.S. PATENT DOCUMENTS  
D640,819 S \* 6/2011 Pan ..... D26/74  
D682,458 S \* 5/2013 Calvin ..... D26/74  
D695,941 S \* 12/2013 Rashidi ..... D26/74

**1 Claim, 9 Drawing Sheets**

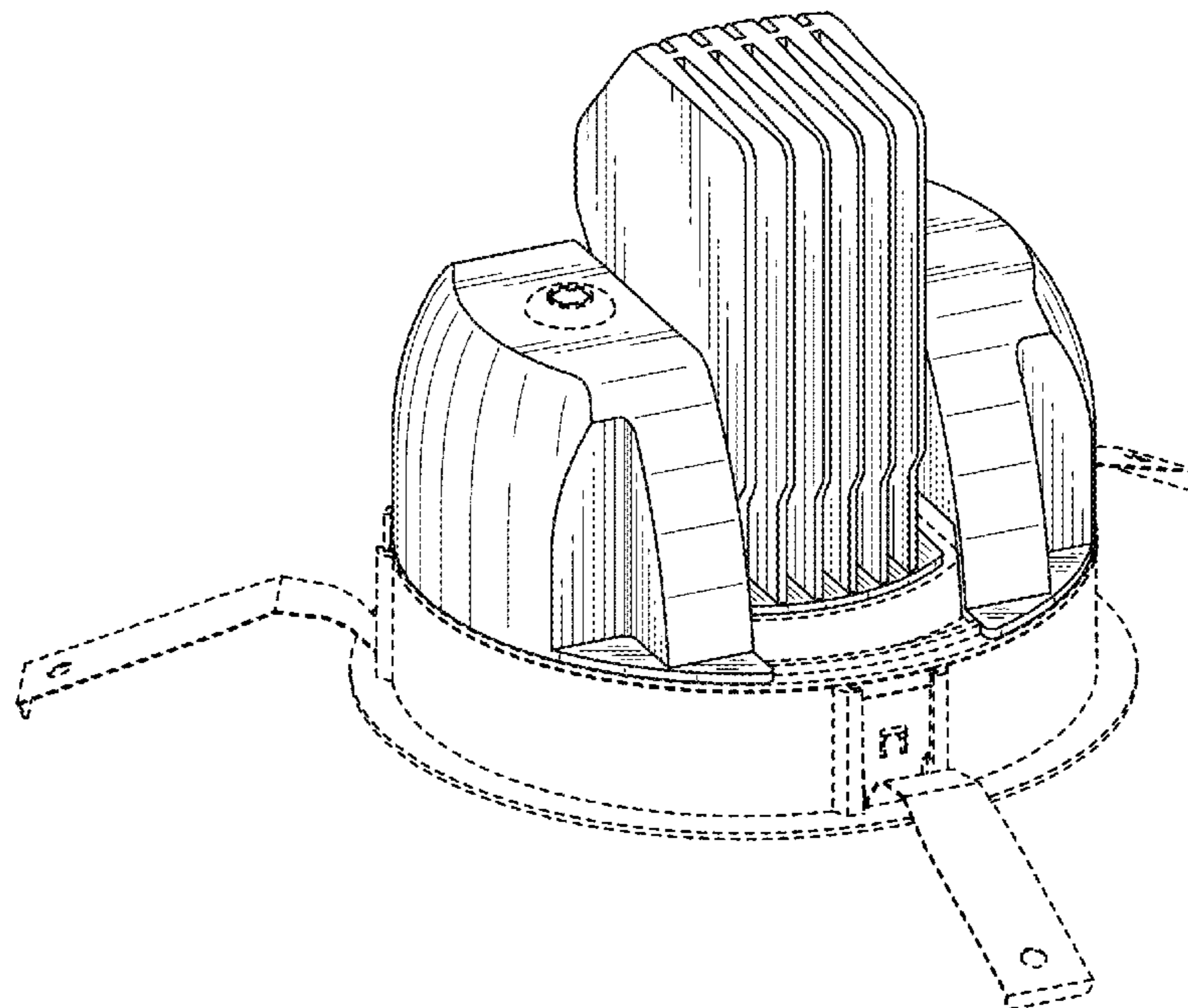


FIG. 1

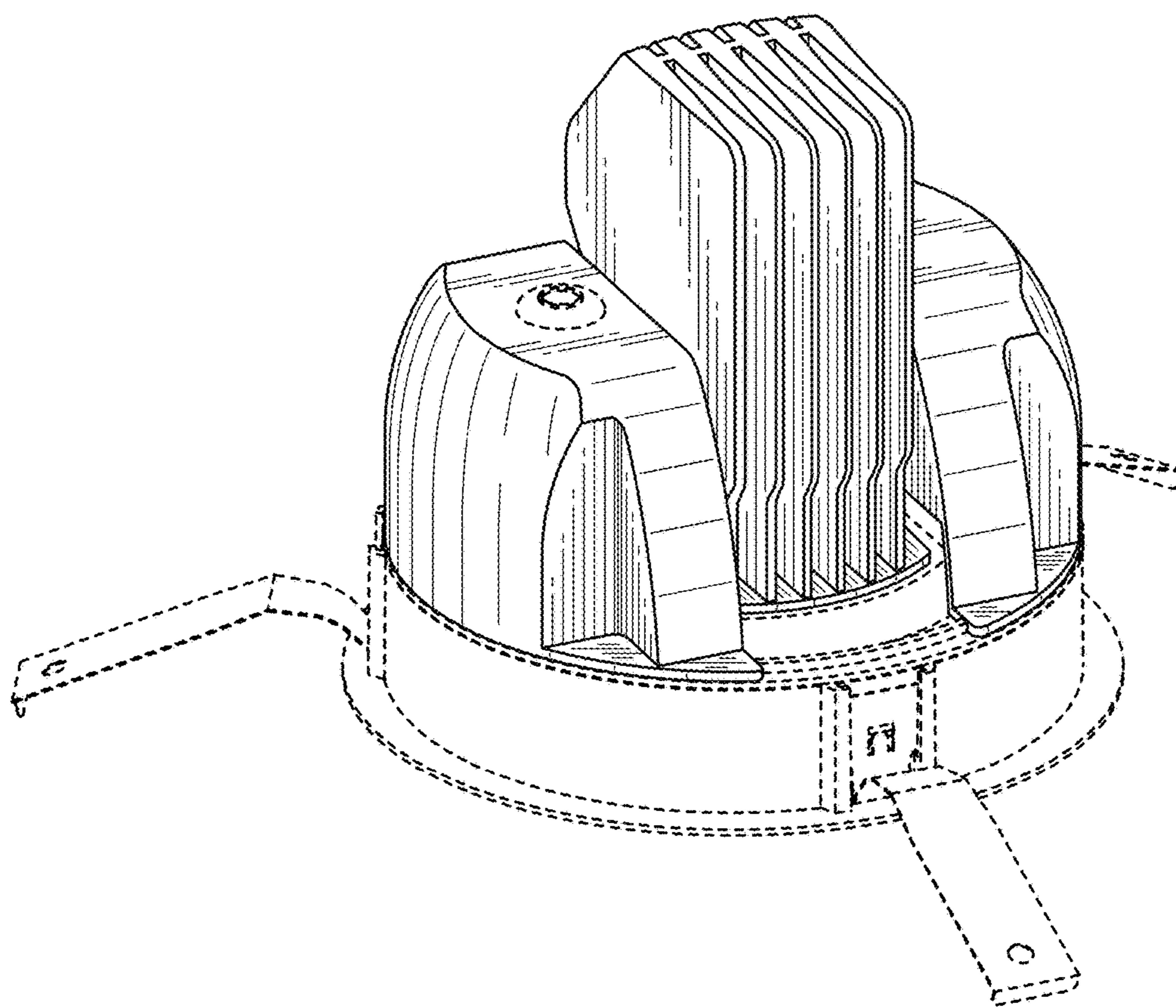


FIG. 2

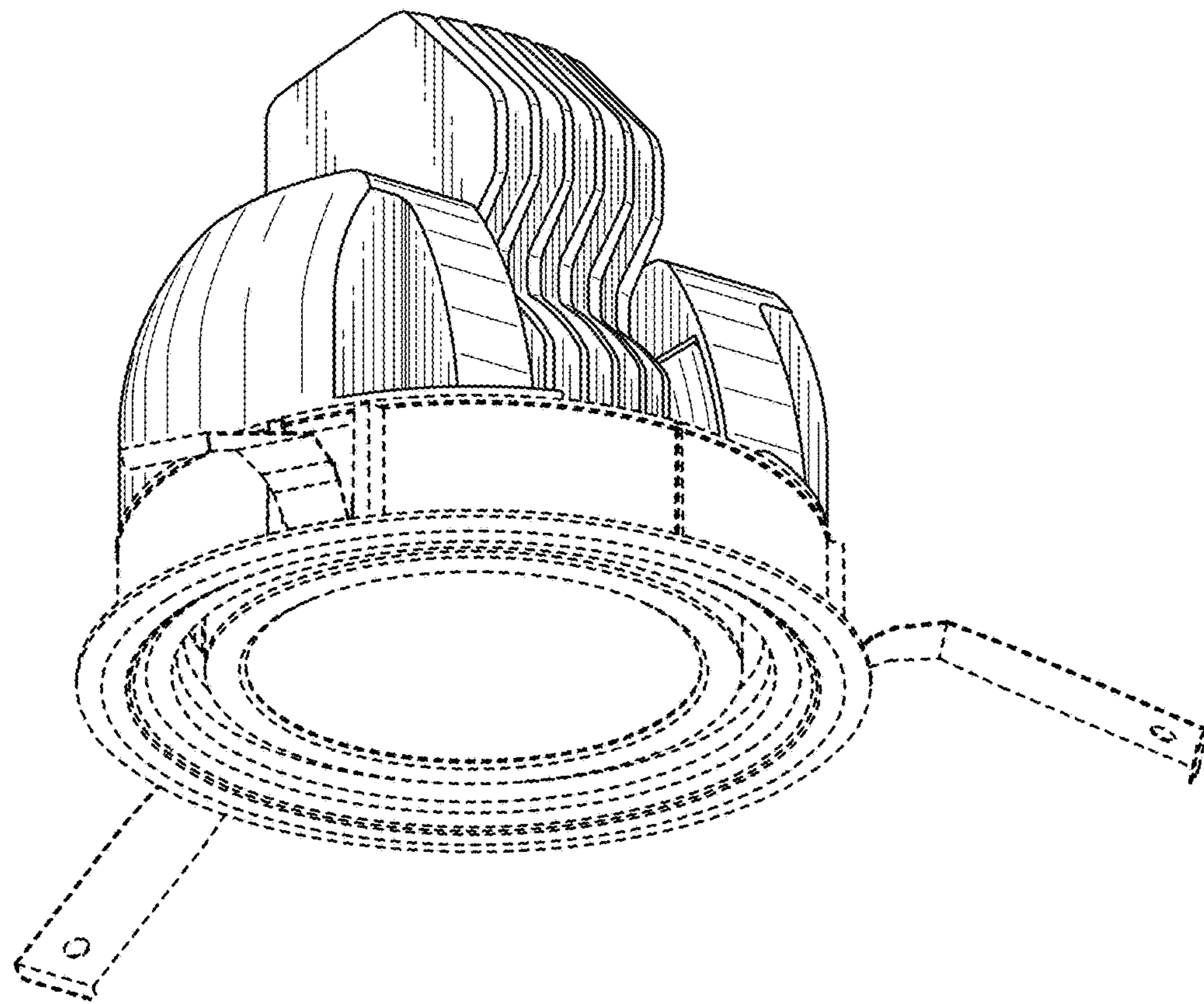


FIG. 3

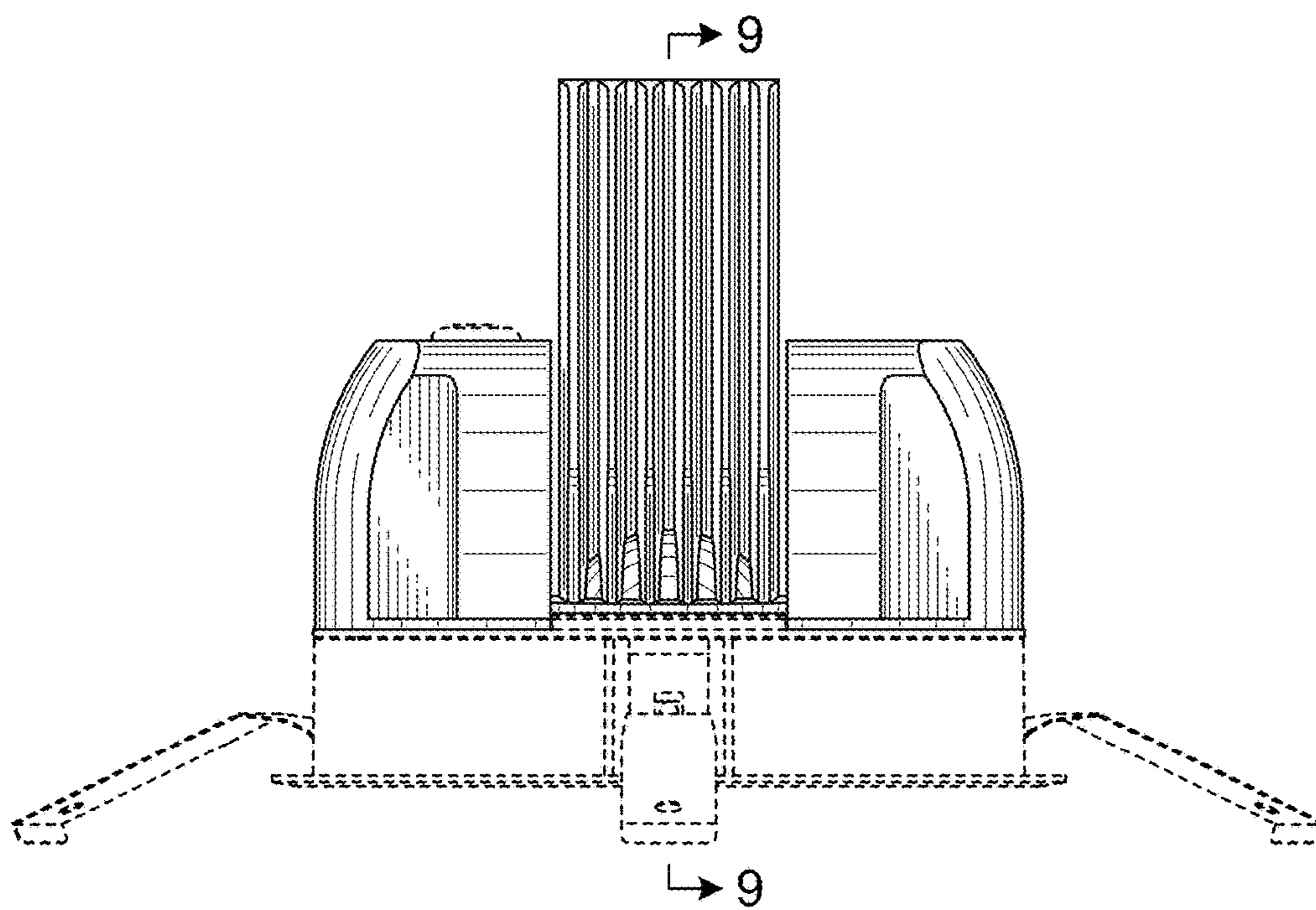




FIG. 4

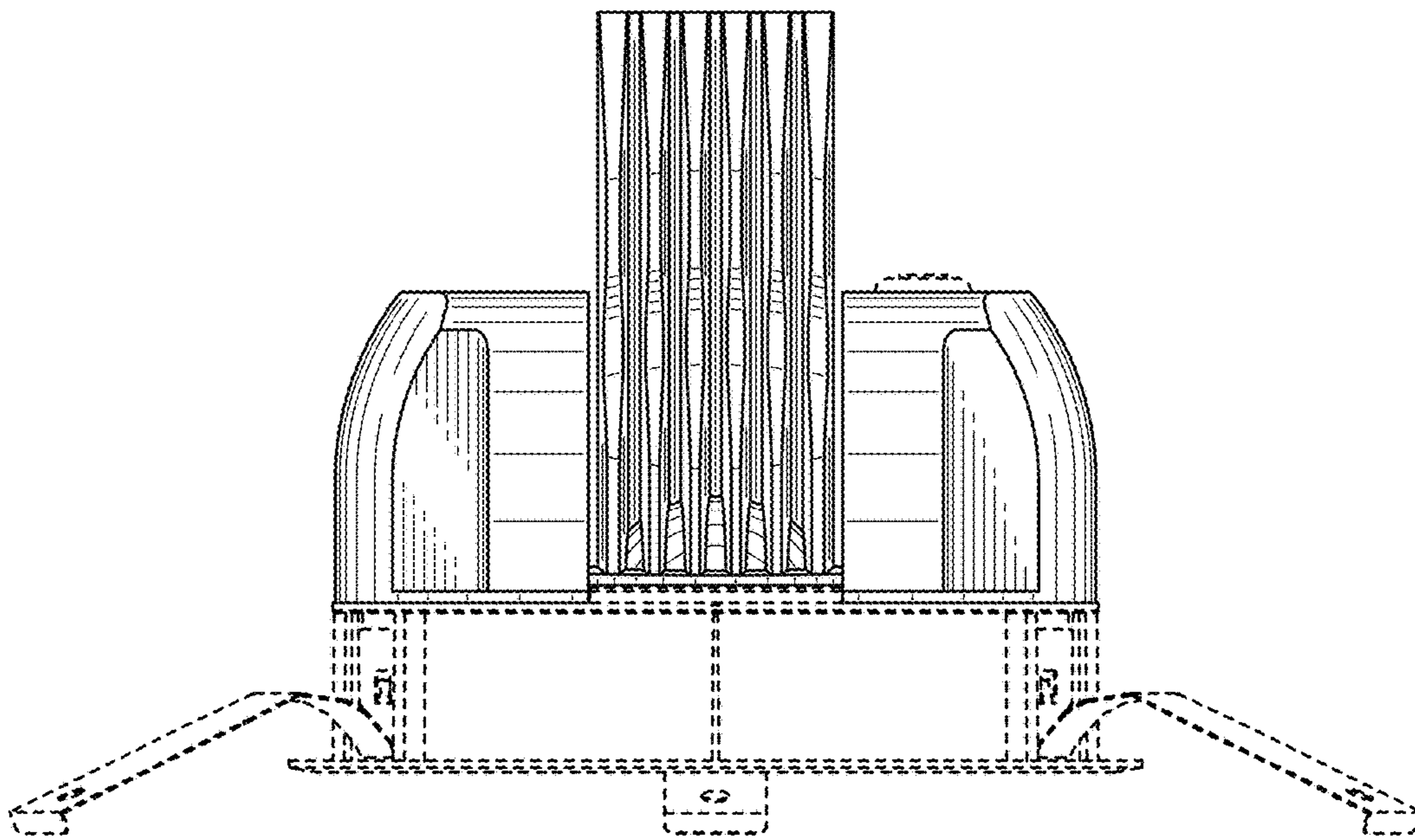


FIG. 5

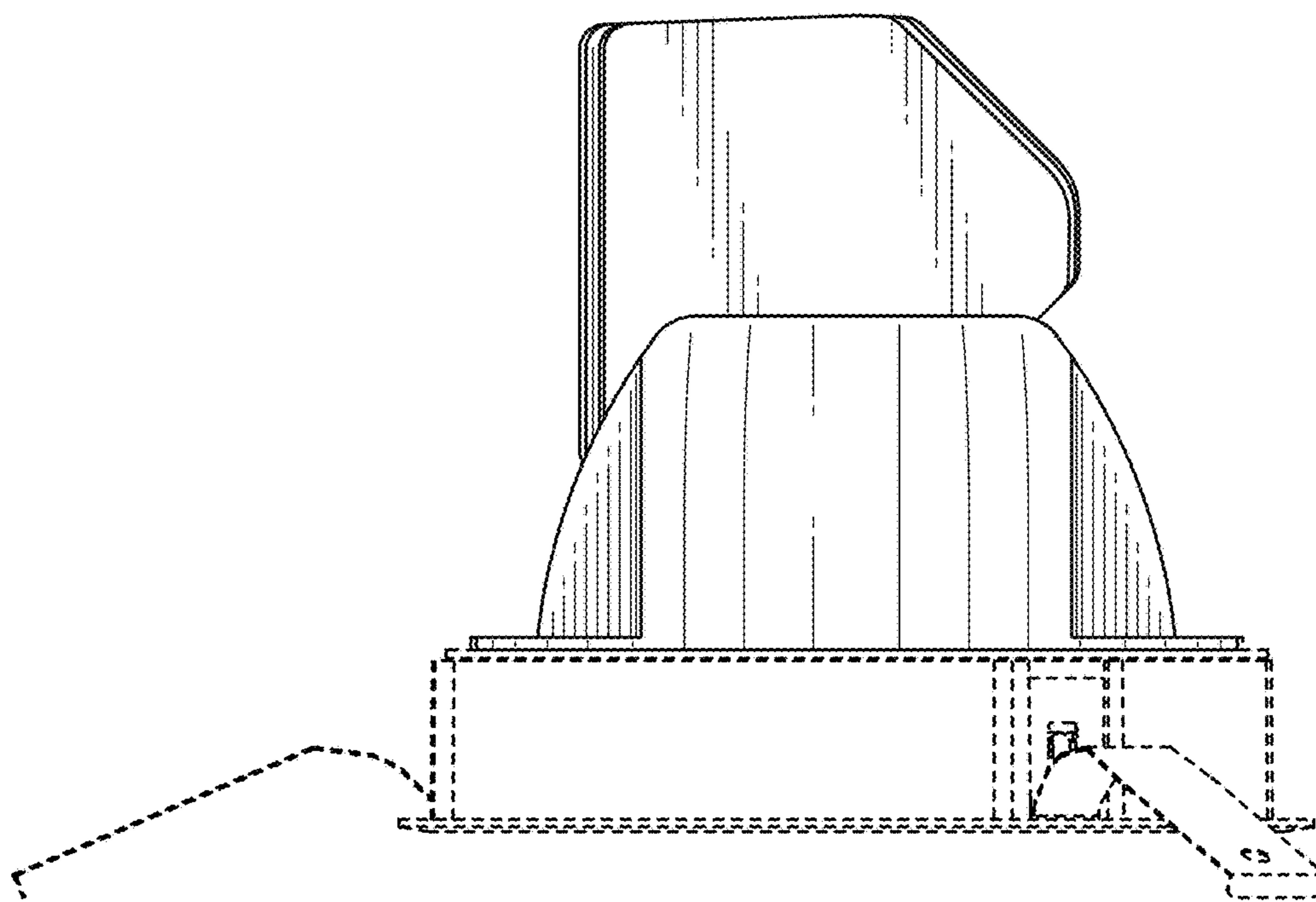


FIG. 6

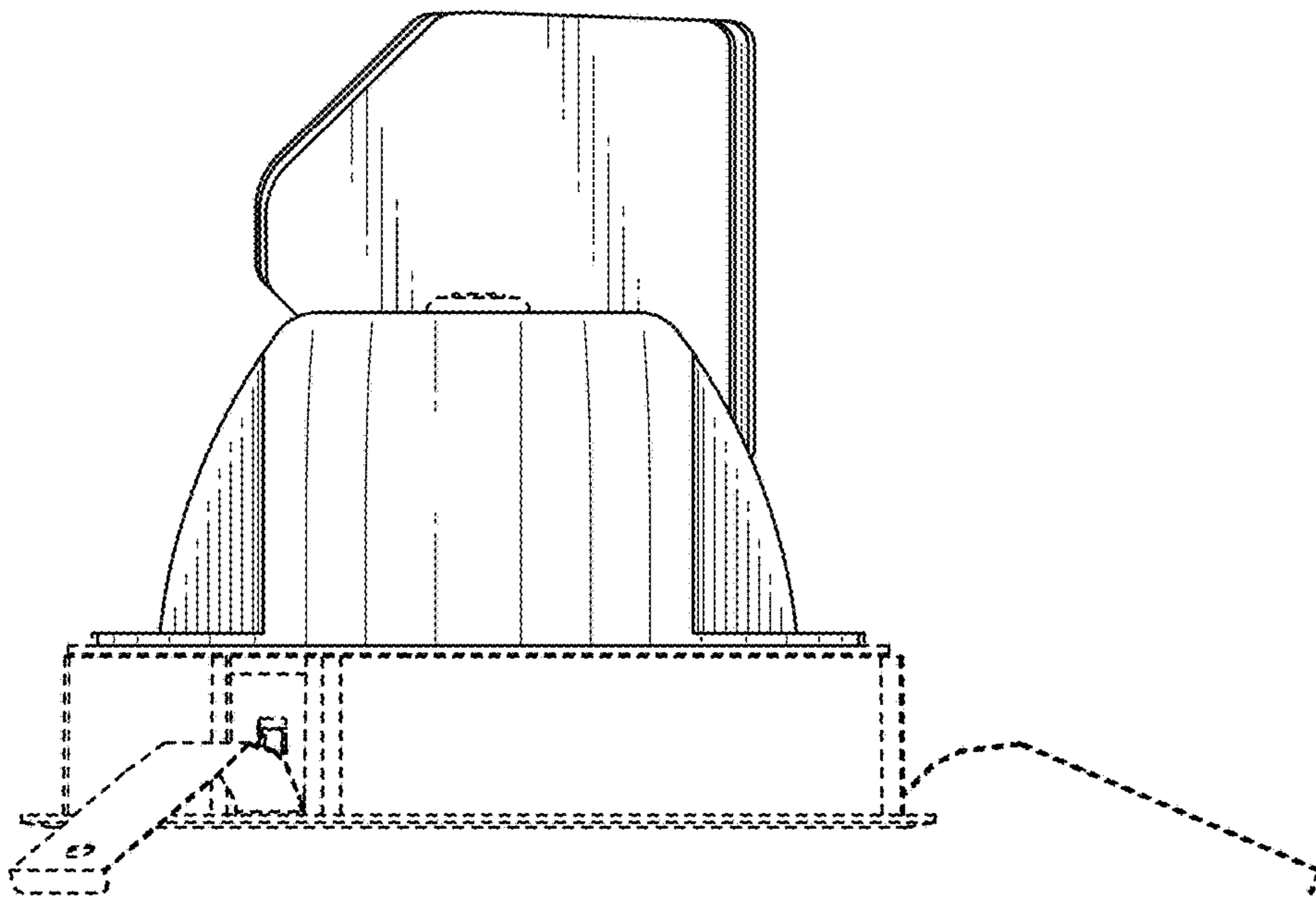


FIG. 7

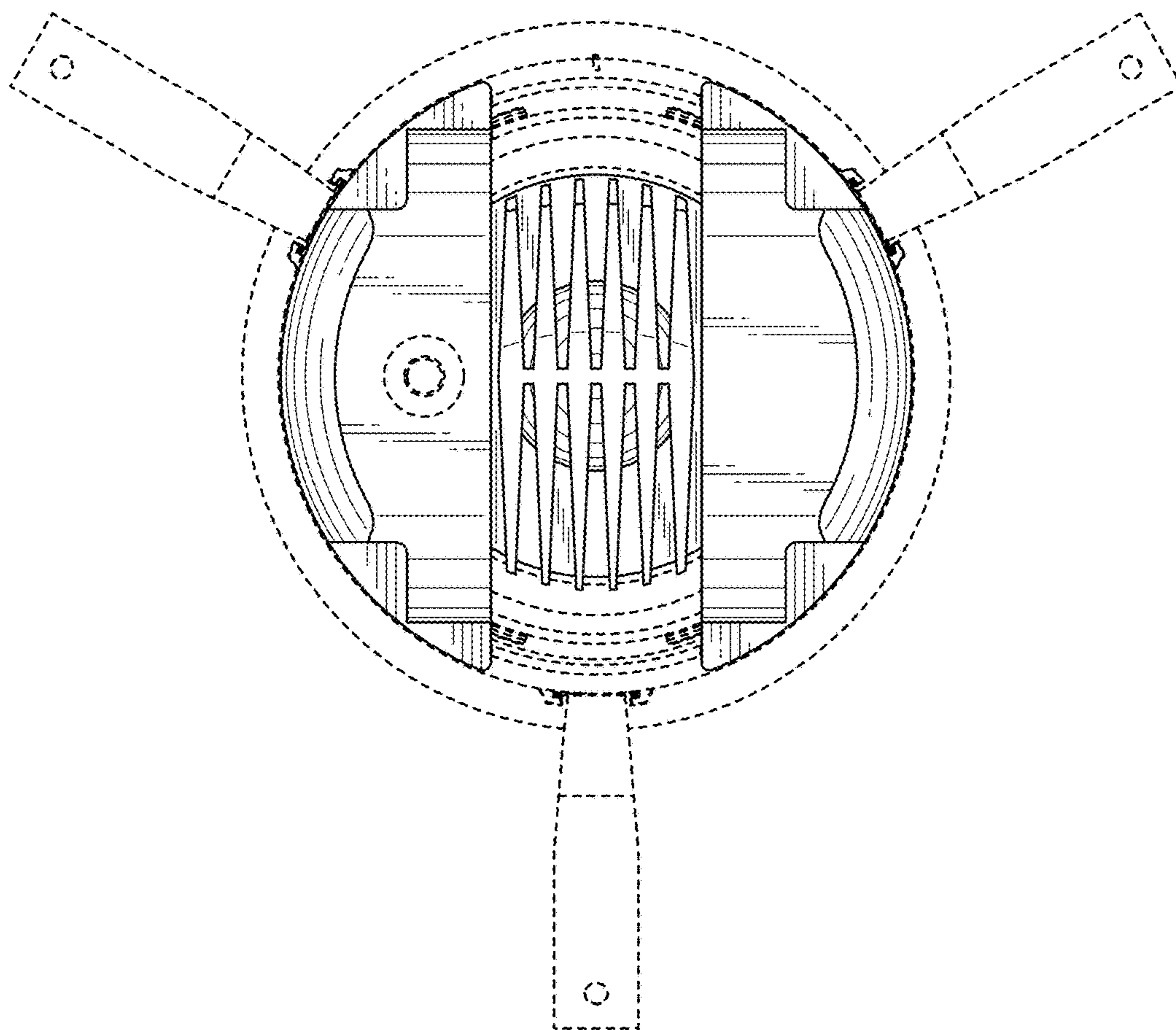




FIG. 8

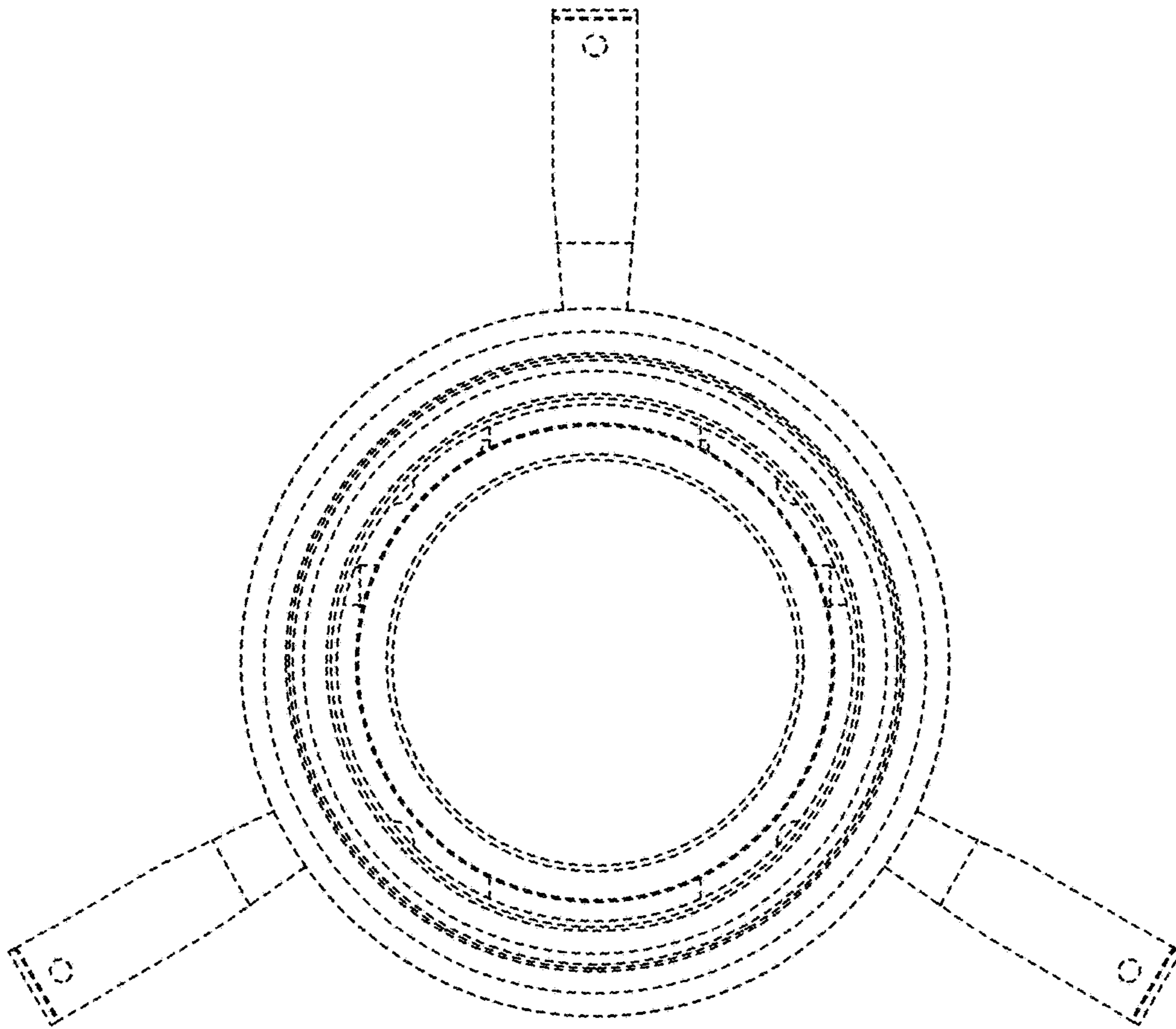


FIG. 9

