

US00D809176S

(12) **United States Design Patent**  
**Partington**

(10) **Patent No.:** **US D809,176 S**  
(45) **Date of Patent:** **\*\* Jan. 30, 2018**

(54) **LUMINAIRE**  
(71) Applicant: **ACDC LED LIMITED**, Lancashire  
(GB)  
(72) Inventor: **Nathan Michael Partington**, Colne  
(GB)  
(73) Assignee: **ACDC LED LIMITED**, Lancashire  
(GB)

D696,447 S \* 12/2013 Huh ..... D26/74  
D696,448 S \* 12/2013 Huh ..... D26/74  
D723,728 S \* 3/2015 Jeswani ..... D26/74  
D726,360 S \* 4/2015 Messiaen ..... D26/74  
D739,590 S \* 9/2015 Redfern ..... D26/74  
D768,326 S \* 10/2016 Guzzini ..... D26/74  
D777,967 S \* 1/2017 Redfern ..... D26/74  
D778,482 S \* 2/2017 Guzzini ..... D26/74  
D779,099 S \* 2/2017 Beck ..... D26/74  
D786,473 S \* 5/2017 Dean ..... D26/74  
D790,102 S \* 6/2017 Guzzini ..... D26/74

\* cited by examiner

(\*\*) Term: **15 Years**  
(21) Appl. No.: **29/573,182**  
(22) Filed: **Aug. 3, 2016**

*Primary Examiner* — Angela J Lee  
(74) *Attorney, Agent, or Firm* — Scully Scott Murphy and  
Presser; Frank Digiglio

(30) **Foreign Application Priority Data**

Feb. 3, 2016 (EM) ..... 002 970 285

(51) **LOC (11) Cl.** ..... **26-05**  
(52) **U.S. Cl.**  
USPC ..... **D26/74**

(58) **Field of Classification Search**  
USPC ..... D26/74, 72, 75, 76, 77, 78, 85, 88, 89,  
D26/118, 138, 141; 362/364, 365, 373,  
362/145, 146, 147, 148, 150, 153, 153.1,  
362/294, 296.01, 296.07, 296.08  
See application file for complete search history.

(56) **References Cited**  
U.S. PATENT DOCUMENTS

D690,864 S \* 10/2013 Rashidi ..... D26/74  
D696,446 S \* 12/2013 Huh ..... D26/74

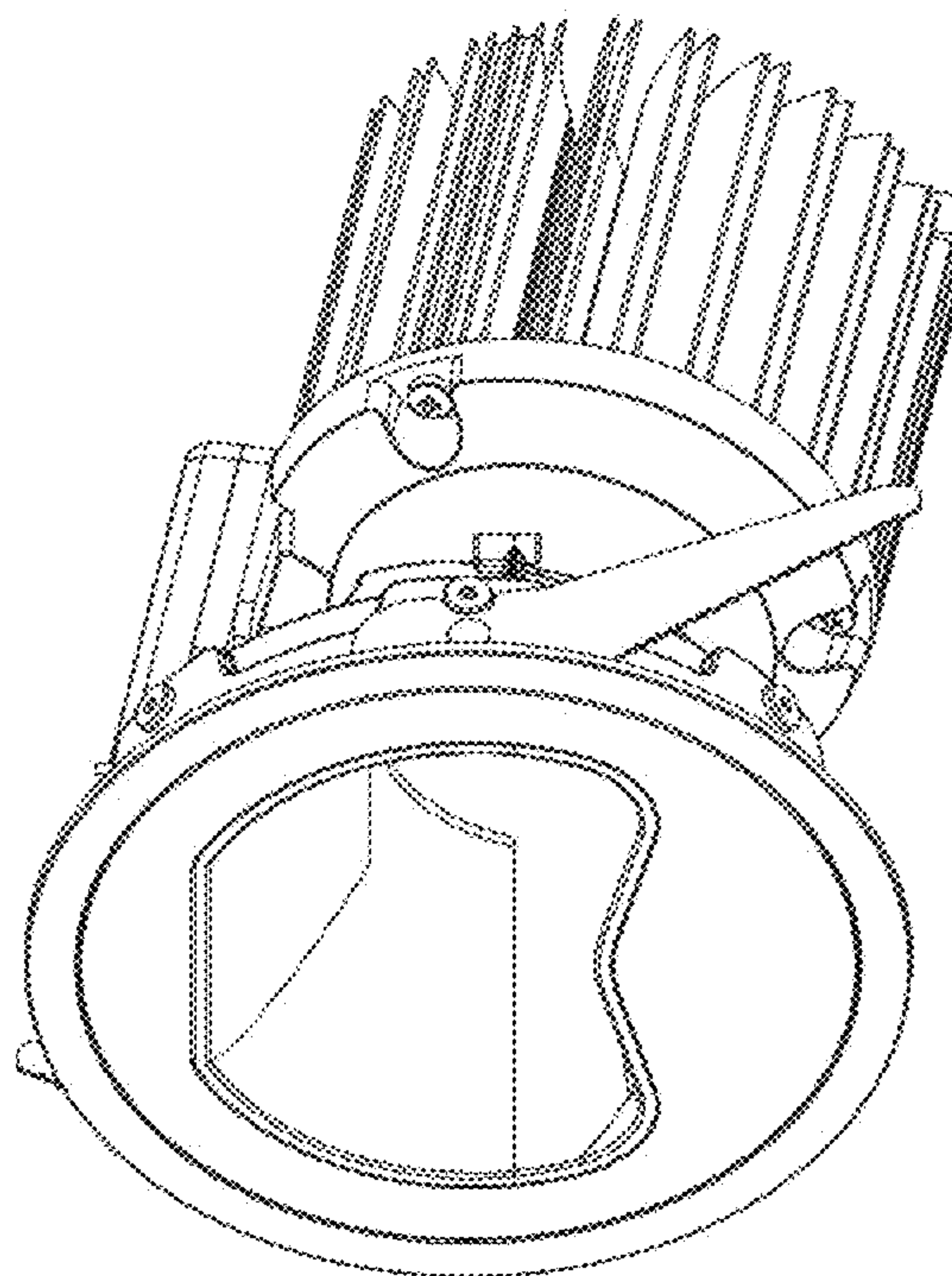
(57) **CLAIM**

The ornamental design for a luminaire, as shown and  
described.

**DESCRIPTION**

FIG. 1 is a perspective view of the luminaire showing our  
new and ornamental design;  
FIG. 2 is a bottom view thereof;  
FIG. 3 is a top view thereof;  
FIG. 4 is a side view thereof;  
FIG. 5 is an alternate side view thereof;  
FIG. 6 is an alternate side view thereof; and,  
FIG. 7 is an alternate side view thereof.

**1 Claim, 7 Drawing Sheets**



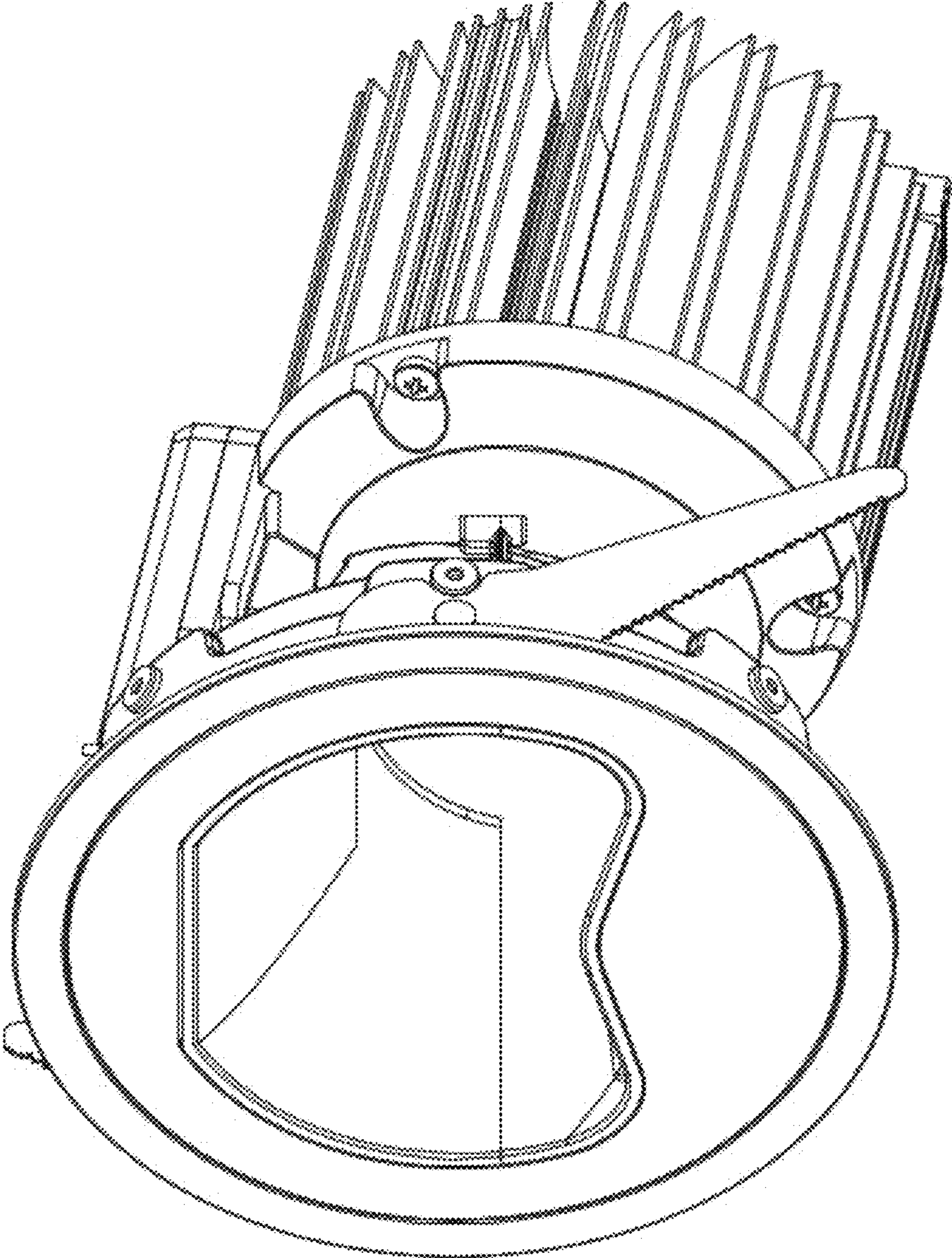


Figure 1



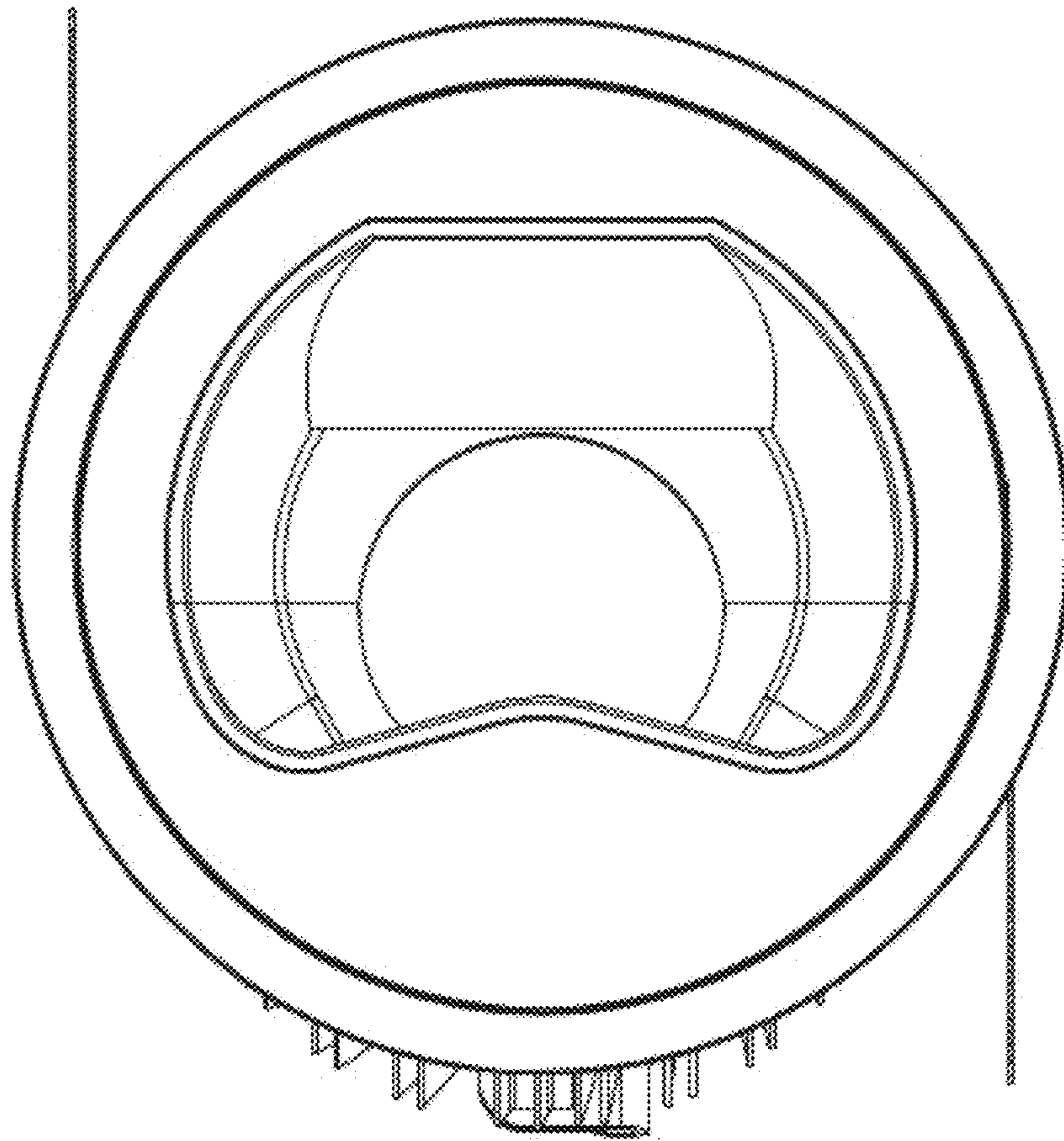


Figure 2

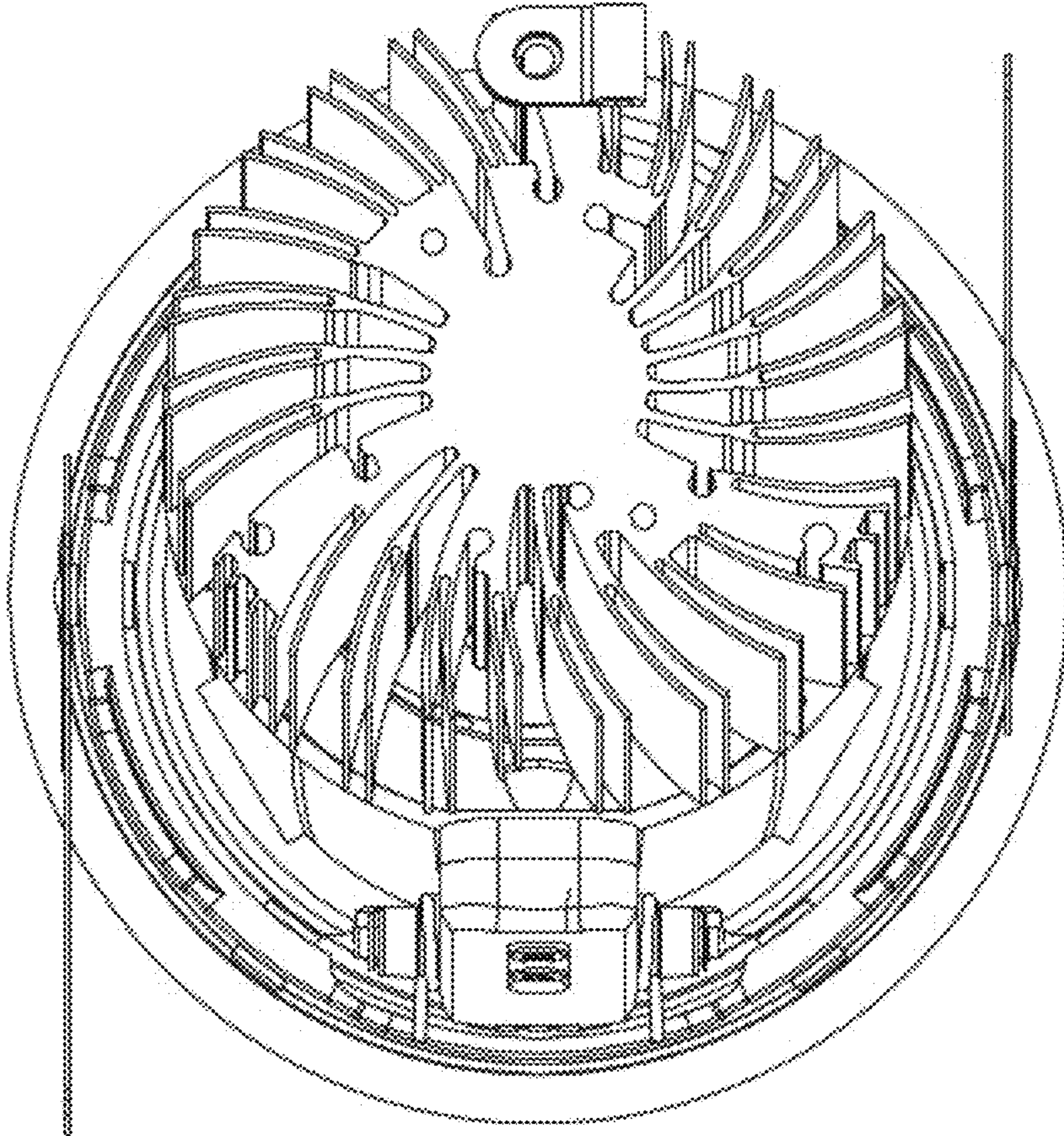


Figure 3



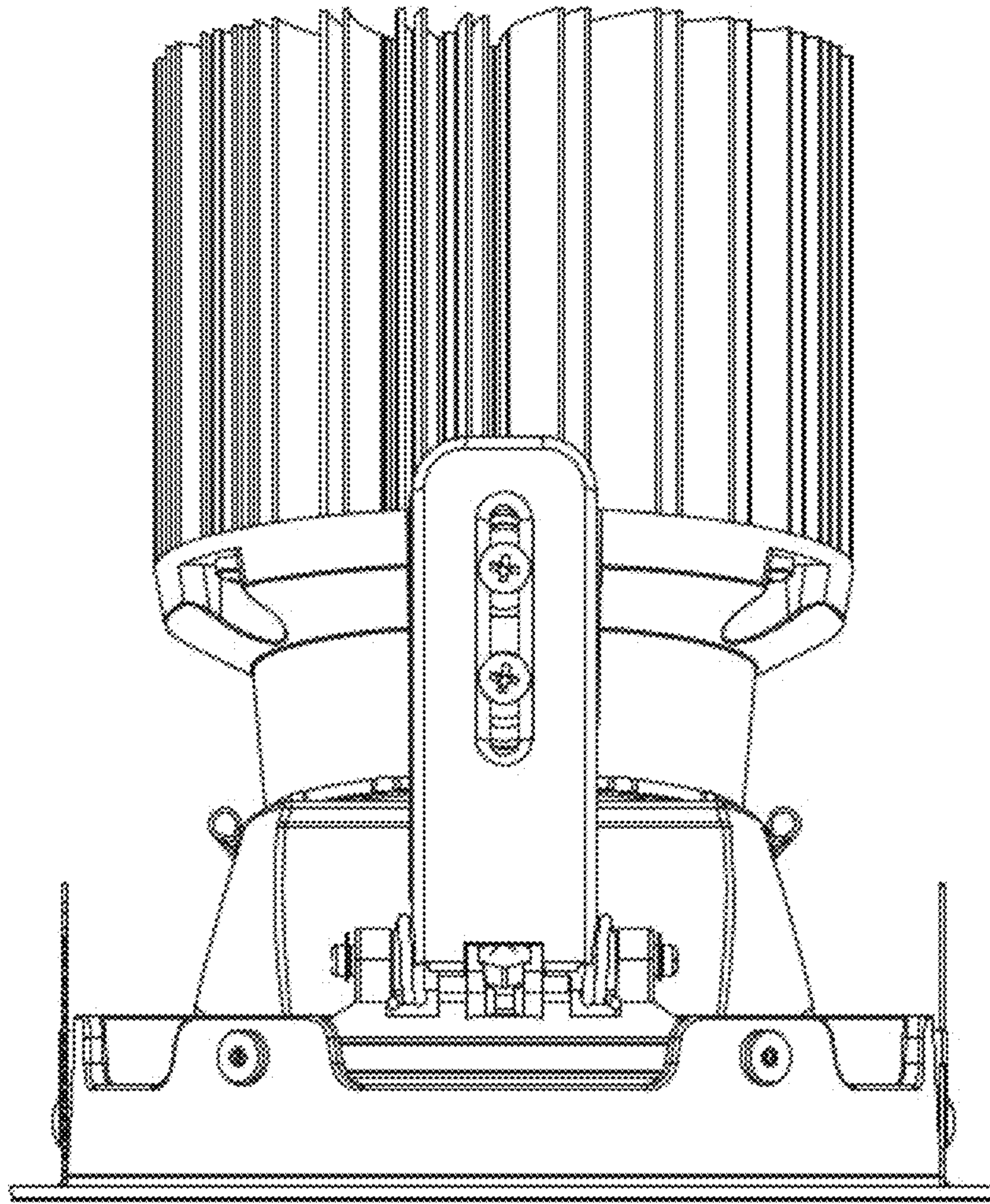


Figure 4

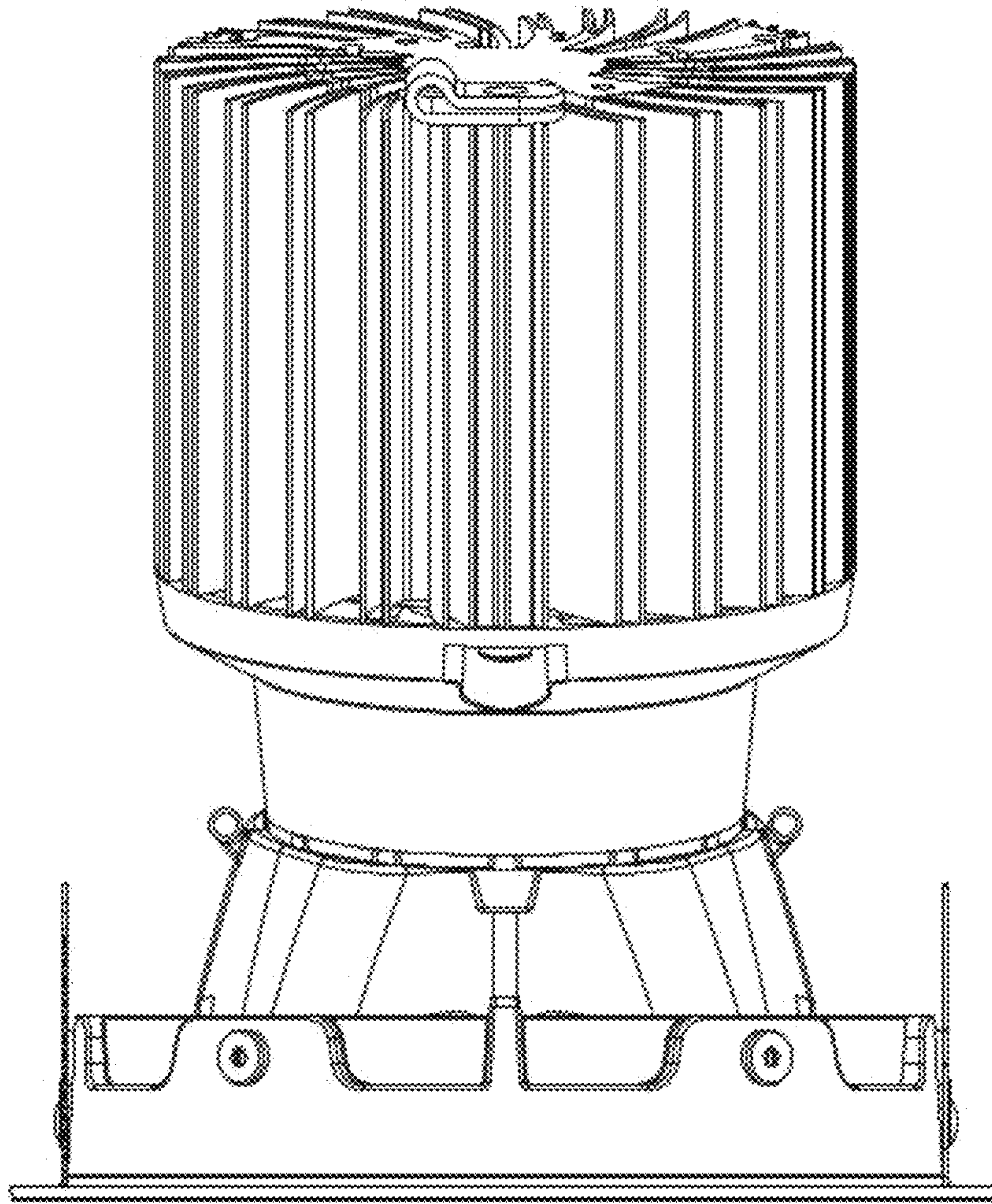


Figure 5



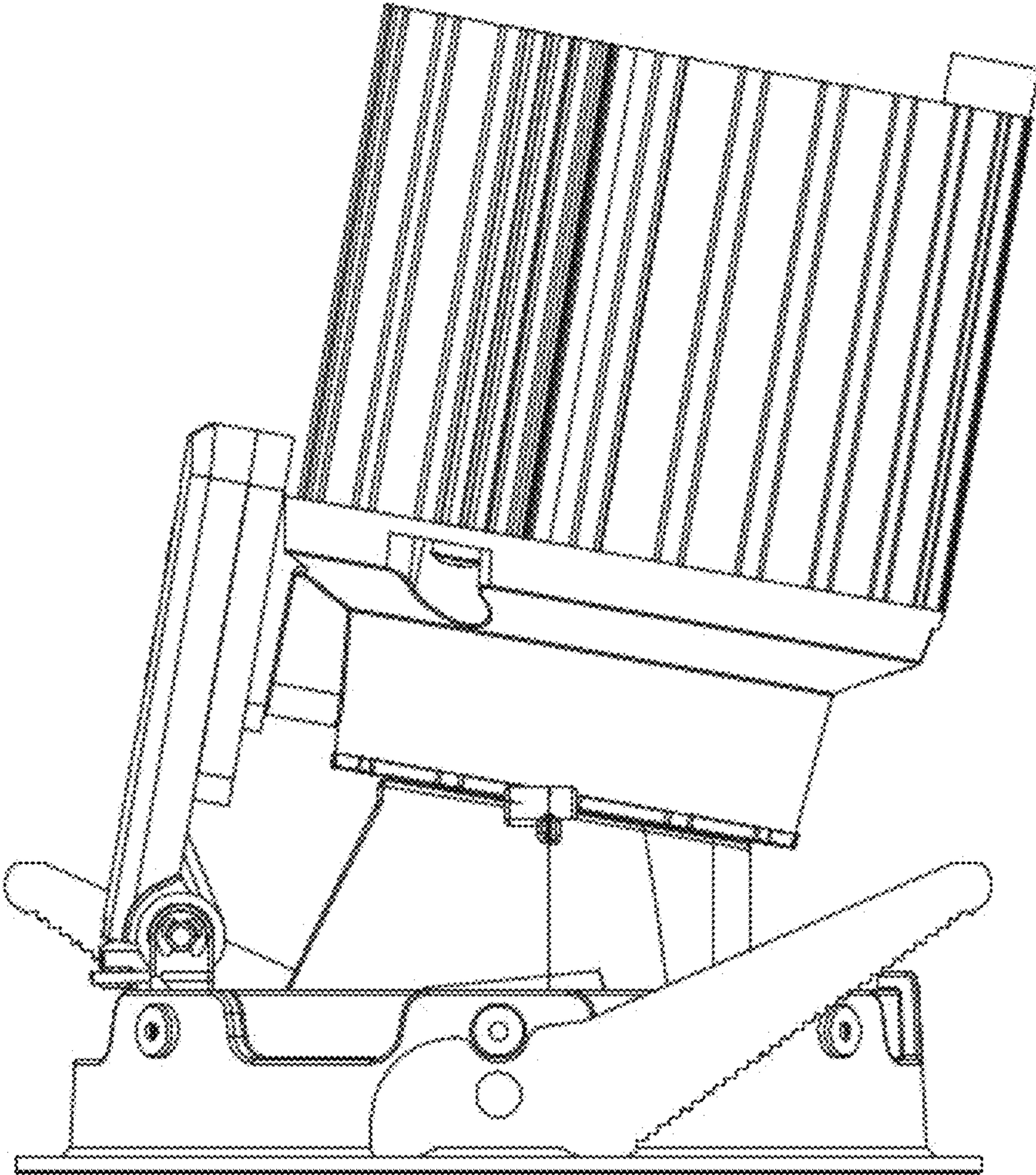


Figure 6

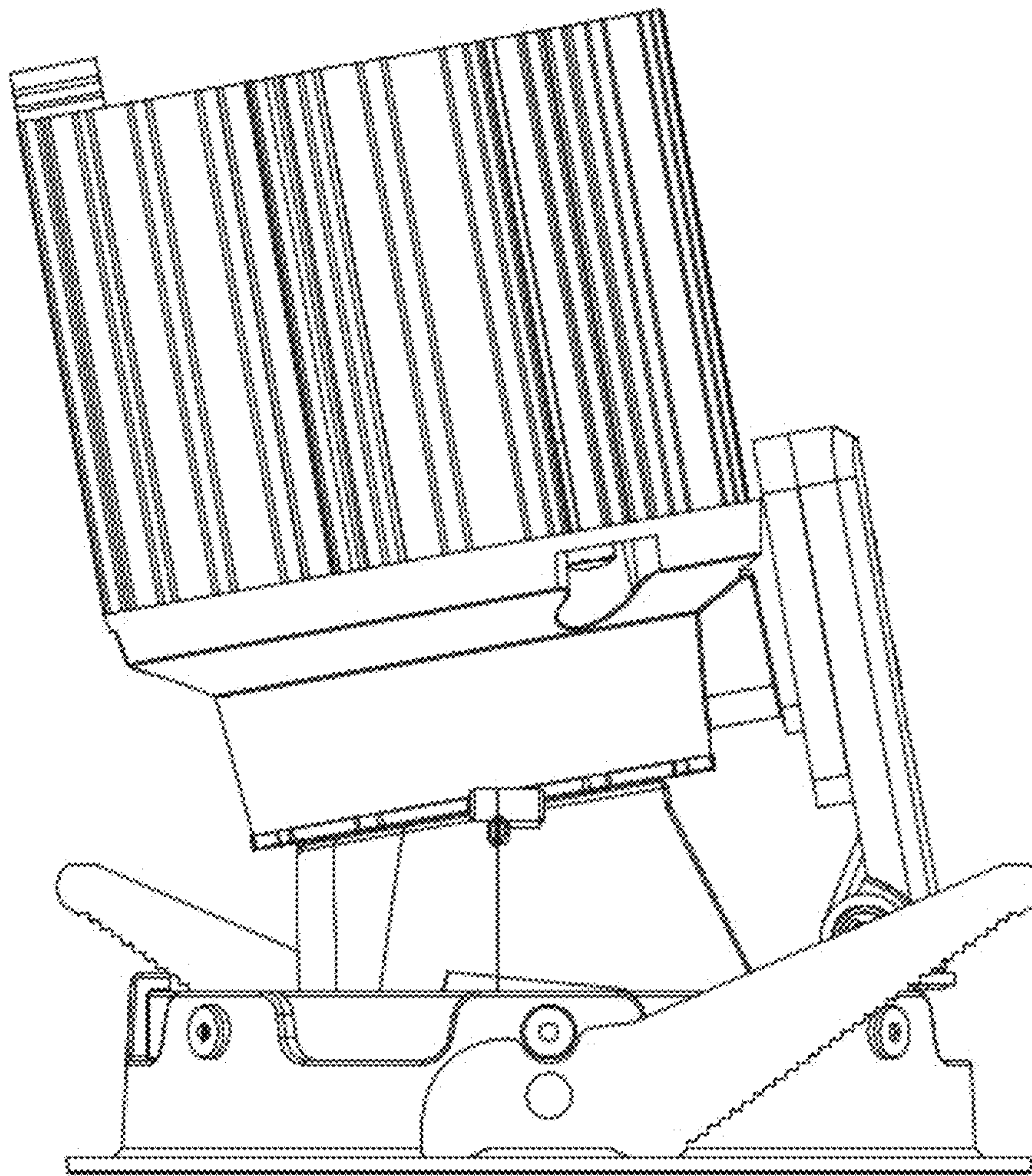


Figure 7