



US00D809175S

(12) **United States Design Patent**  
**Chen**

(10) **Patent No.:** **US D809,175 S**  
(45) **Date of Patent:** **\*\* Jan. 30, 2018**

(54) **LIGHT FIXTURE**

(71) Applicant: **Chia-Teh Chen**, Taipei (TW)

(72) Inventor: **Chia-Teh Chen**, Taipei (TW)

(\*\*) Term: **15 Years**

(21) Appl. No.: **29/565,025**

(22) Filed: **May 17, 2016**

(51) **LOC (11) Cl.** ..... **26-05**

(52) **U.S. Cl.**  
USPC ..... **D26/63**

(58) **Field of Classification Search**  
USPC ..... D26/63, 67, 68, 72, 118  
CPC .... F21S 8/003; F21S 8/08; F21S 8/081; F21S  
8/083; F21S 9/03; F21S 9/032; F21S  
9/035; F21S 9/037; F21V 21/0824; F21V  
21/30; F21W 2121/004; F21W 2131/105;  
F21W 2131/109

See application file for complete search history.

(56) **References Cited**

**U.S. PATENT DOCUMENTS**

2,280,406	A *	4/1942	Gazin	.....	F21V 17/00 248/181.1
3,104,064	A *	9/1963	Bellek	.....	F21S 8/081 362/267
D308,111	S *	5/1990	Banathy	.....	D26/63
D360,963	S *	8/1995	Czerlanis	.....	D26/63
D437,071	S *	1/2001	Andrus	.....	D26/63
D552,282	S *	10/2007	Guercio	.....	D26/63
D552,283	S *	10/2007	Guercio	.....	D26/63

D565,223	S *	3/2008	Guercio	.....	D26/63
D636,515	S *	4/2011	Wang	.....	D26/63
D765,901	S *	9/2016	Chen	.....	D26/63
2010/0259945	A1 *	10/2010	Chiu	.....	B60Q 1/245 362/428
2011/0002122	A1 *	1/2011	Tsao	.....	F21S 8/033 362/277

\* cited by examiner

*Primary Examiner* — Clare E Heflin

(74) *Attorney, Agent, or Firm* — Li & Cai Intellectual Property (USA) Office

(57) **CLAIM**

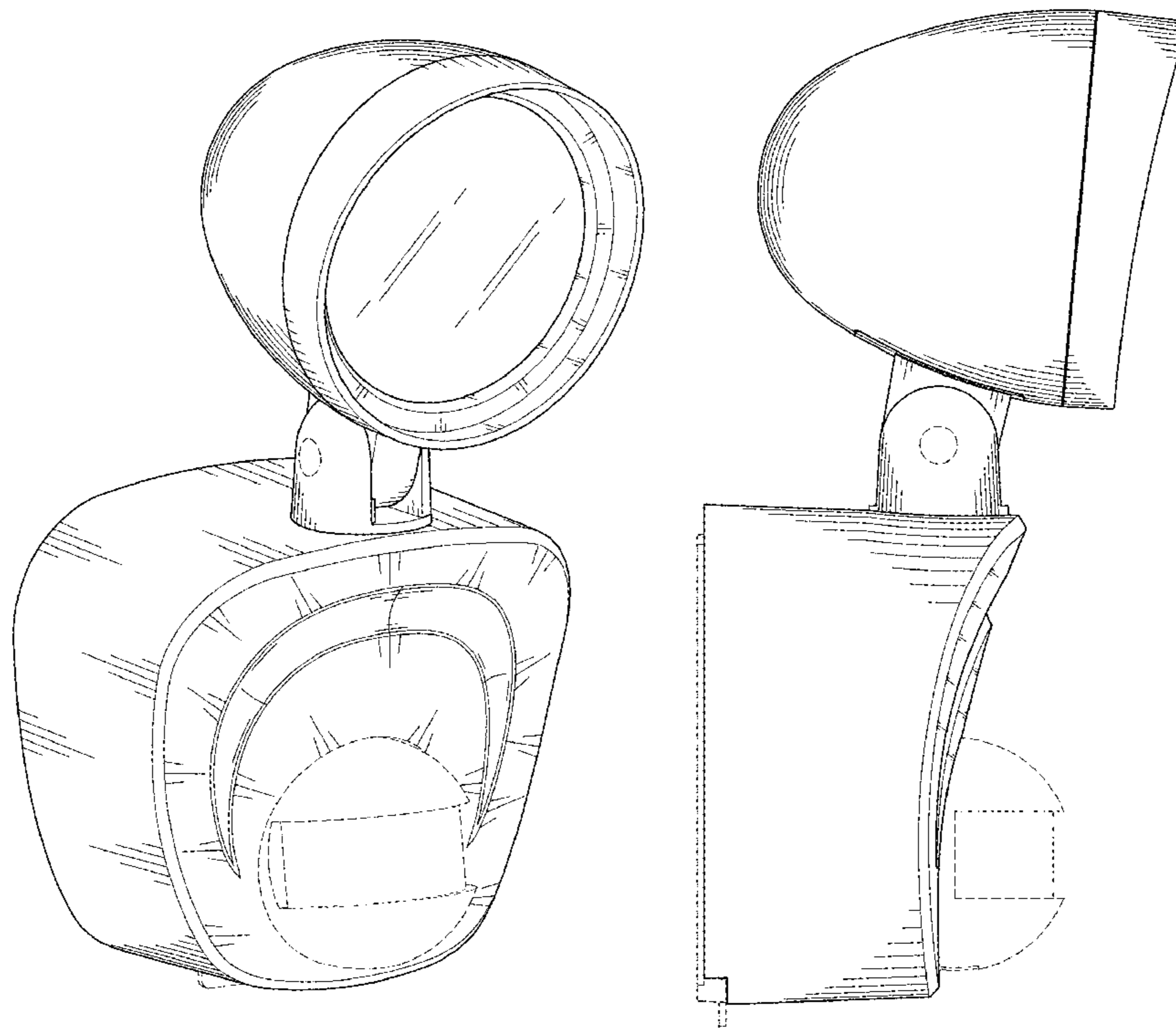
The ornamental design for a “light fixture,” as shown and described.

**DESCRIPTION**

FIG. 1 is a front, top and left side perspective view of a “light fixture” showing our new design;  
FIG. 2 is a front elevation view thereof;  
FIG. 3 is a rear elevation view thereof;  
FIG. 4 is a left side elevation view thereof;  
FIG. 5 is a right side elevation view thereof;  
FIG. 6 is a top plan view thereof;  
FIG. 7 is a bottom plan view thereof; and,  
FIG. 8 is a rear, bottom, and left side perspective view thereof.

The broken lines shown on the drawings depict portions of the light fixture that form no part of the claimed design.

**1 Claim, 8 Drawing Sheets**



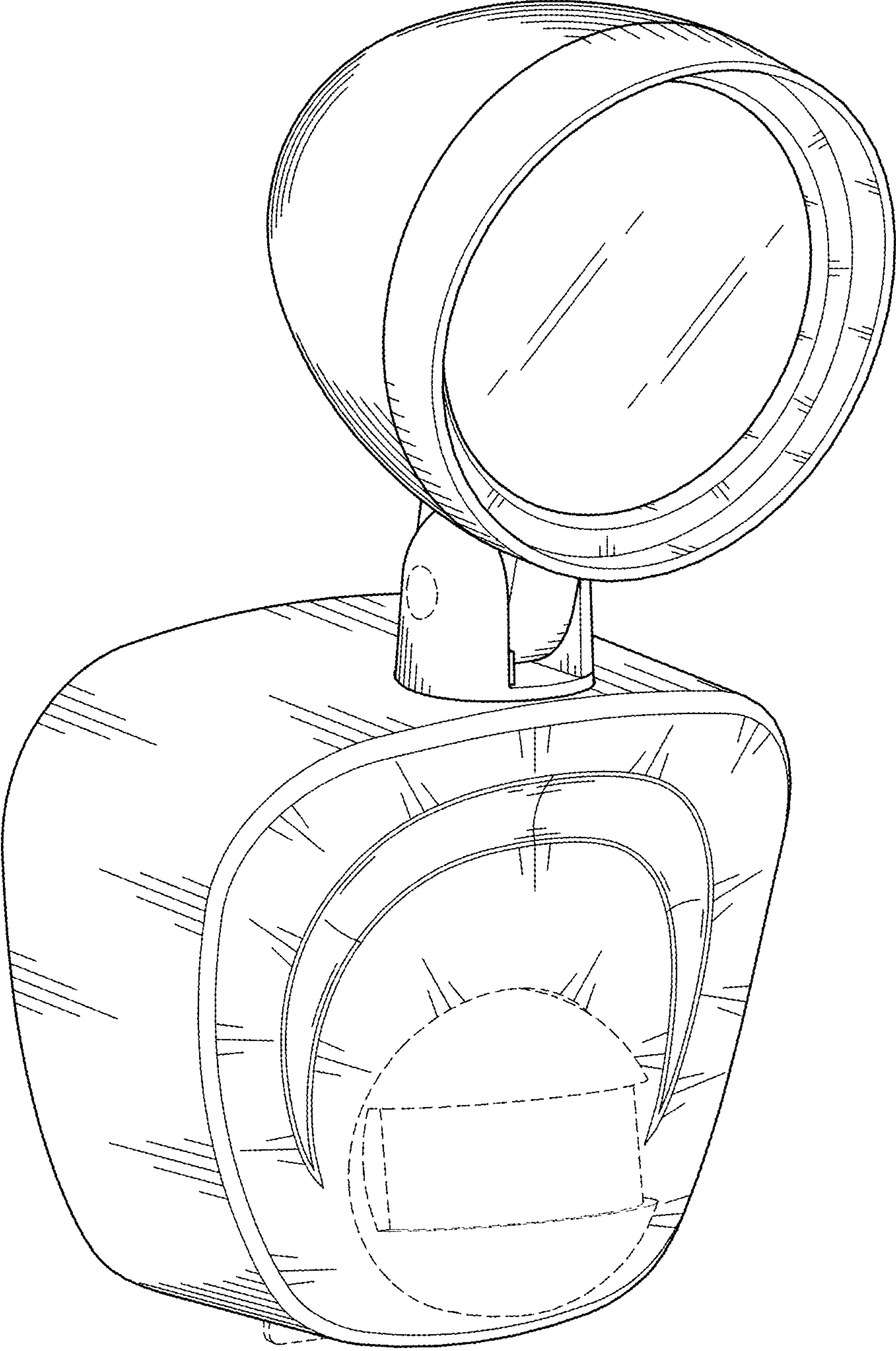


FIG. 1

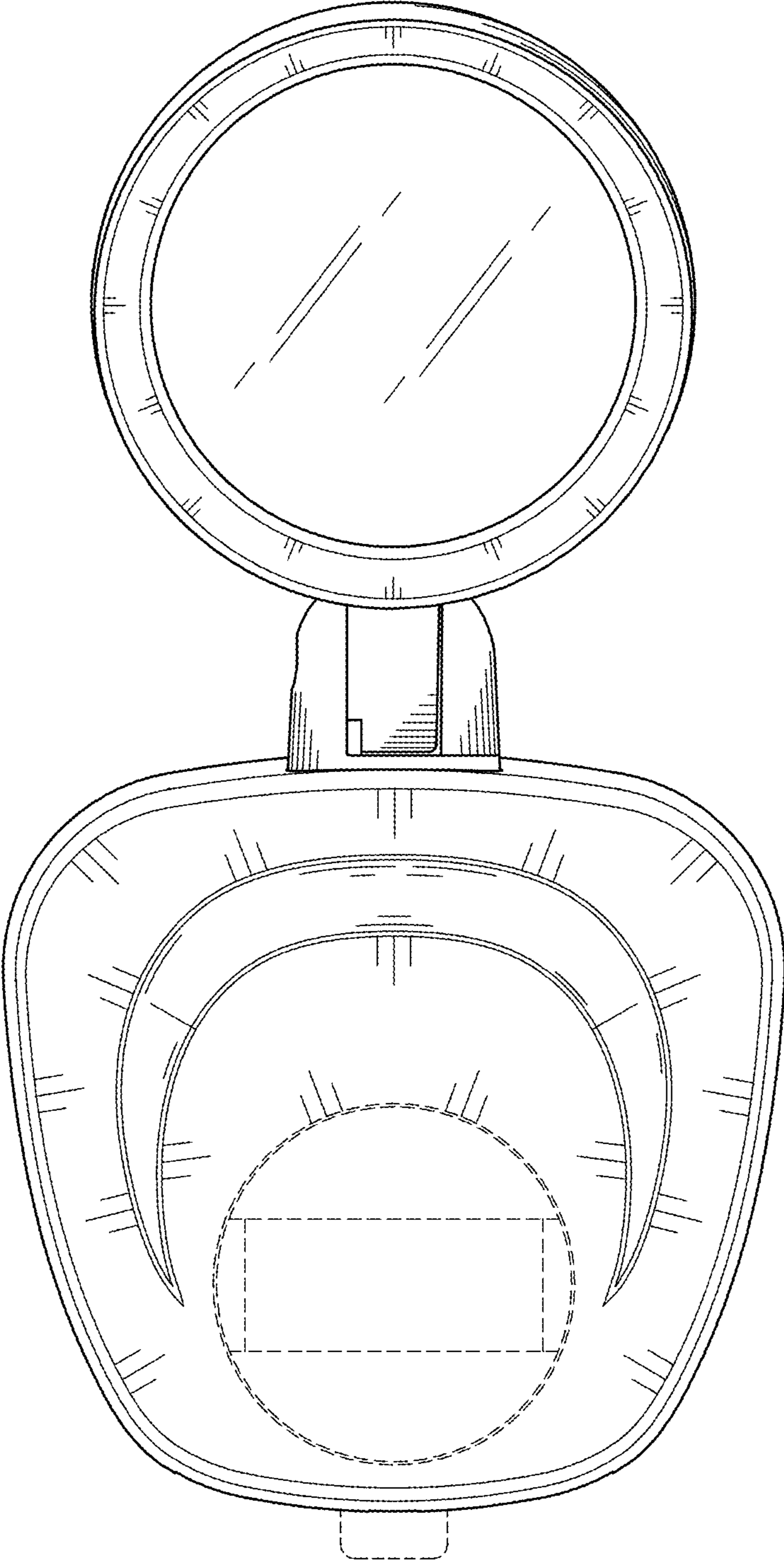


FIG.2

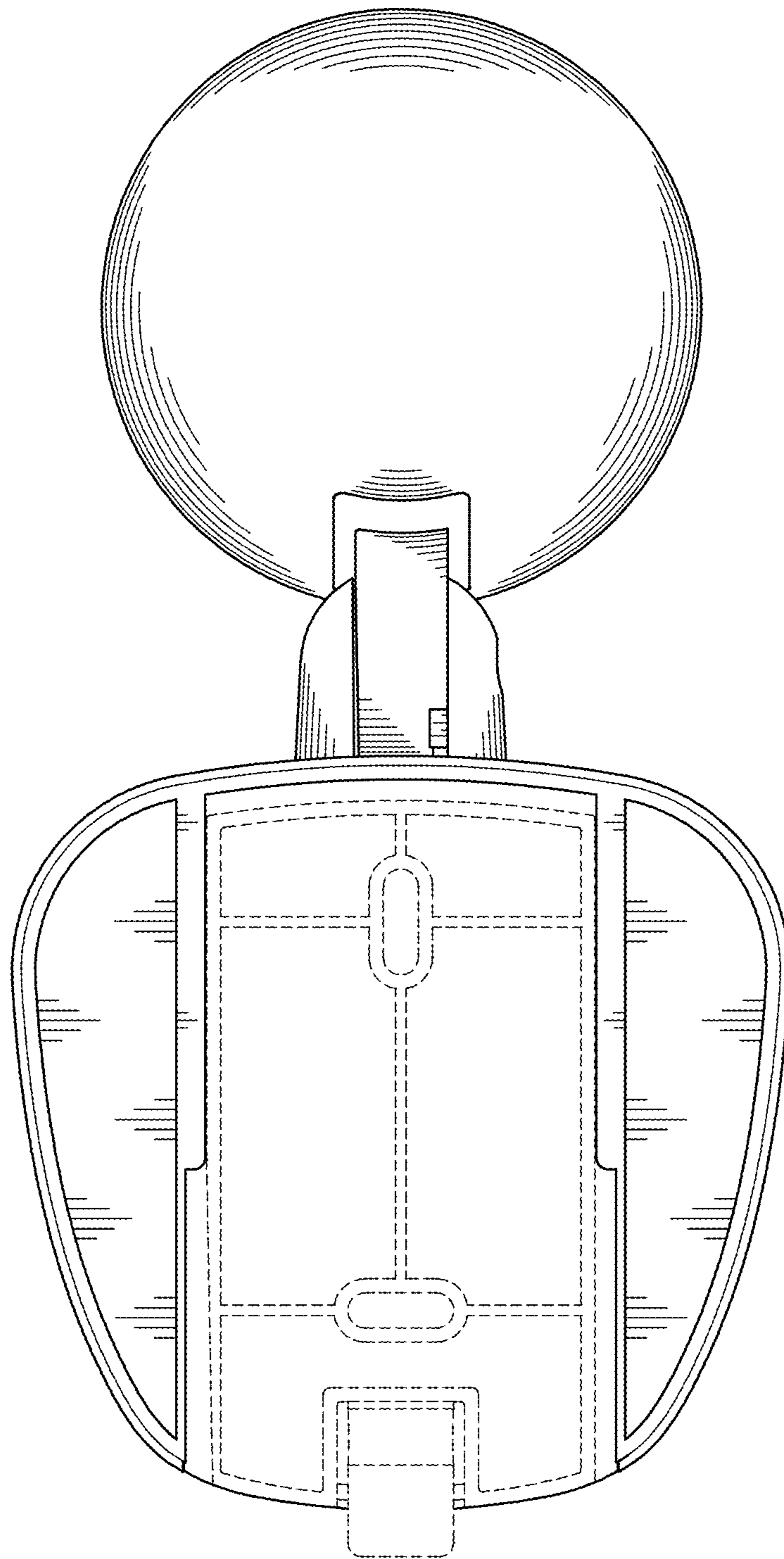


FIG.3

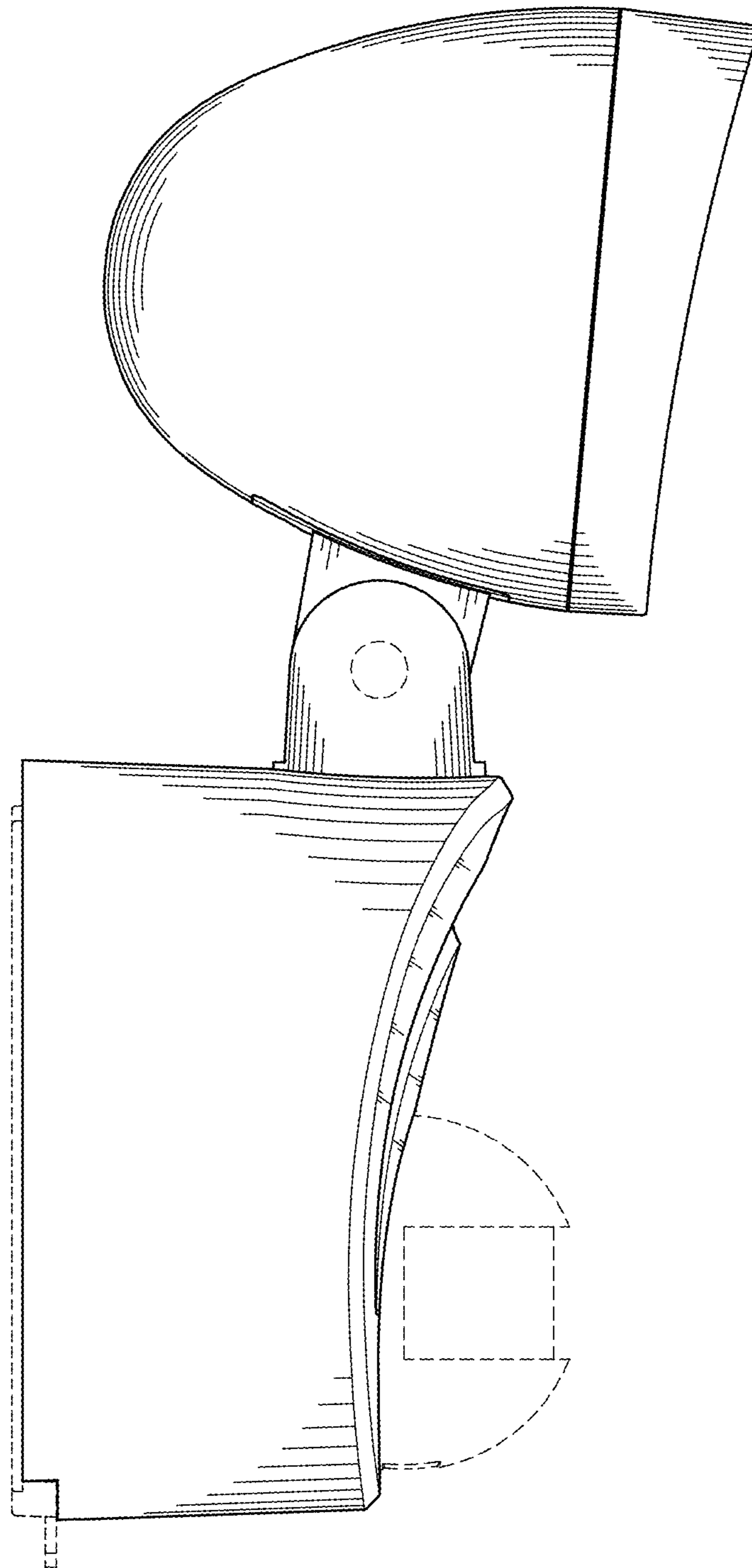


FIG.4

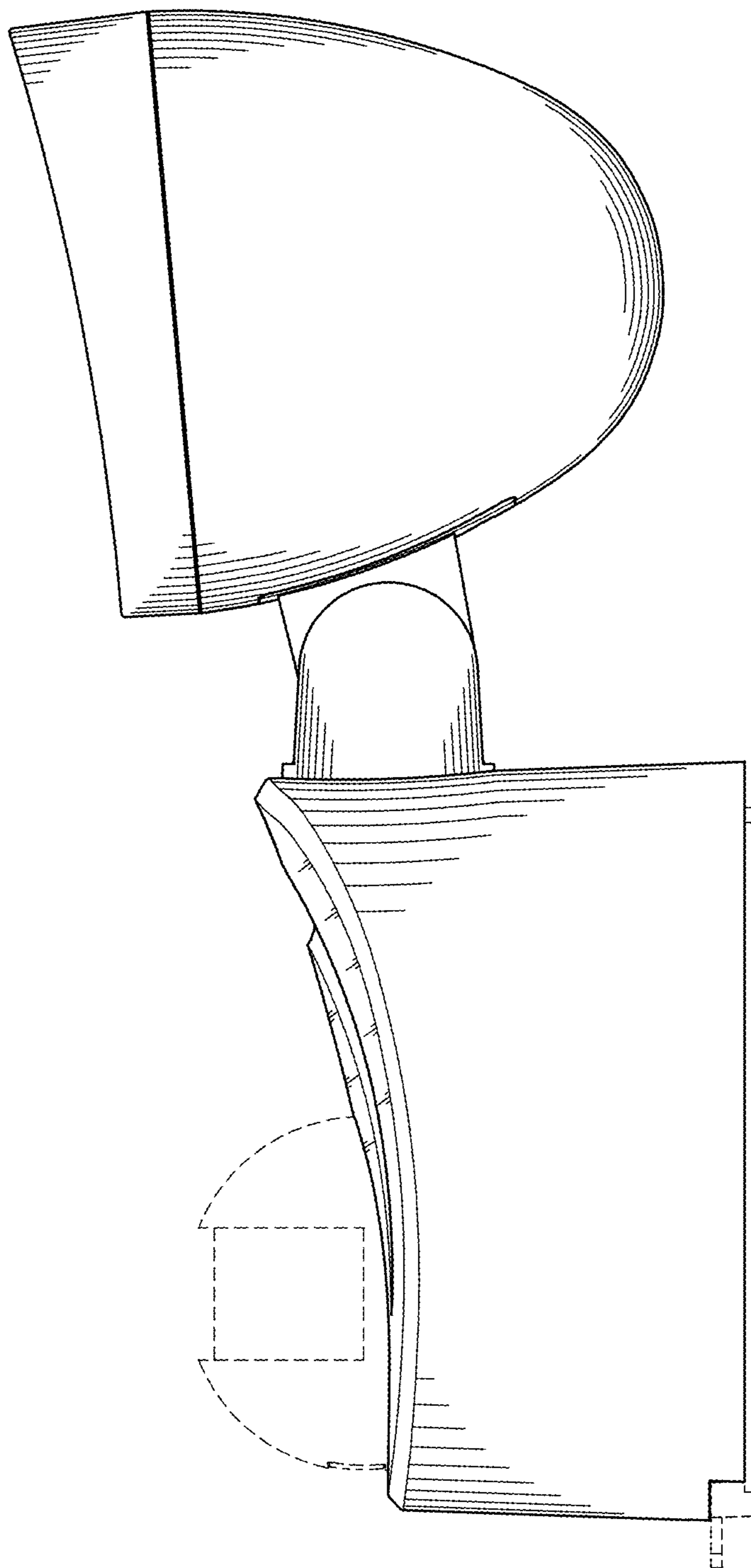


FIG.5

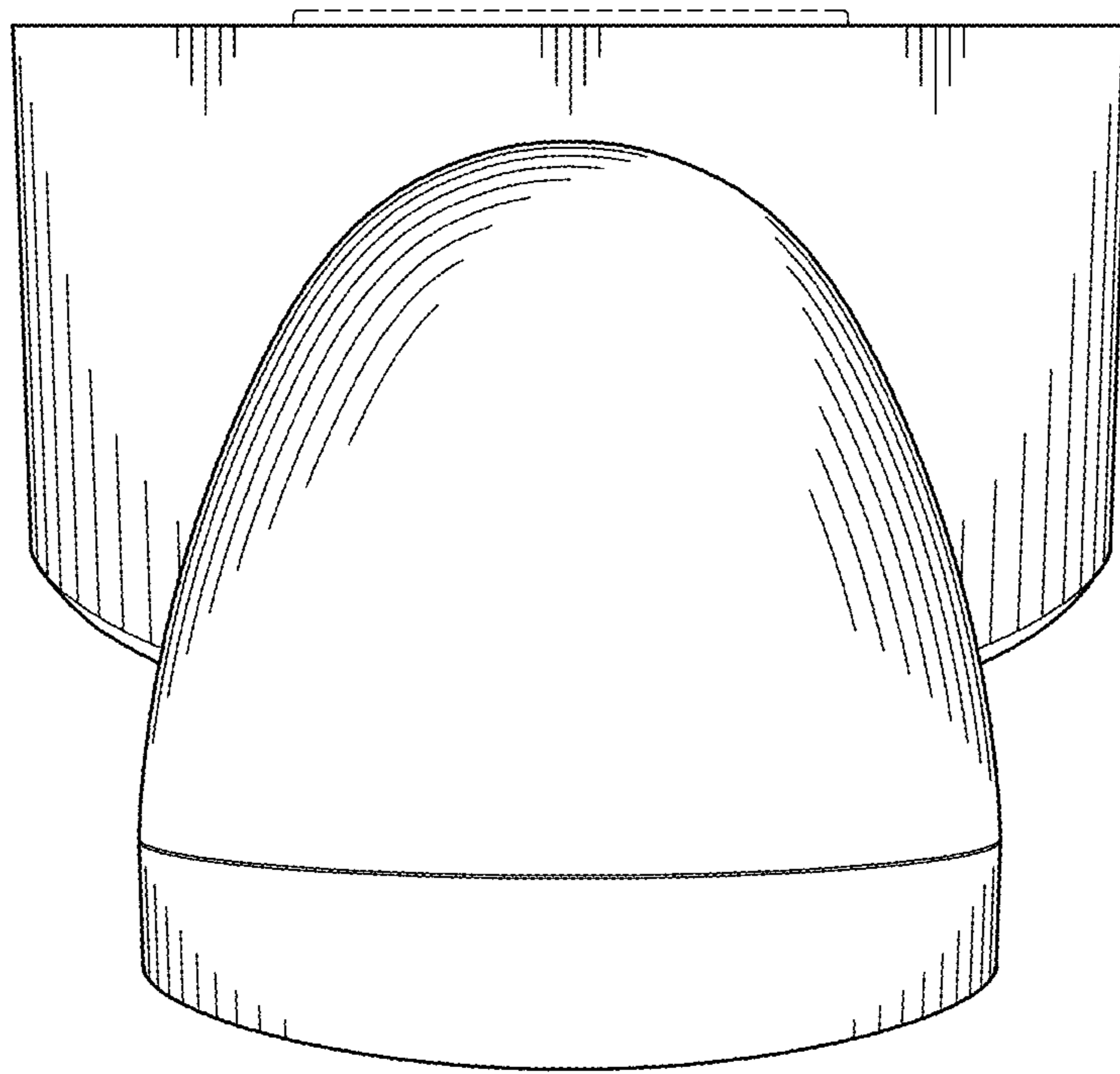


FIG.6

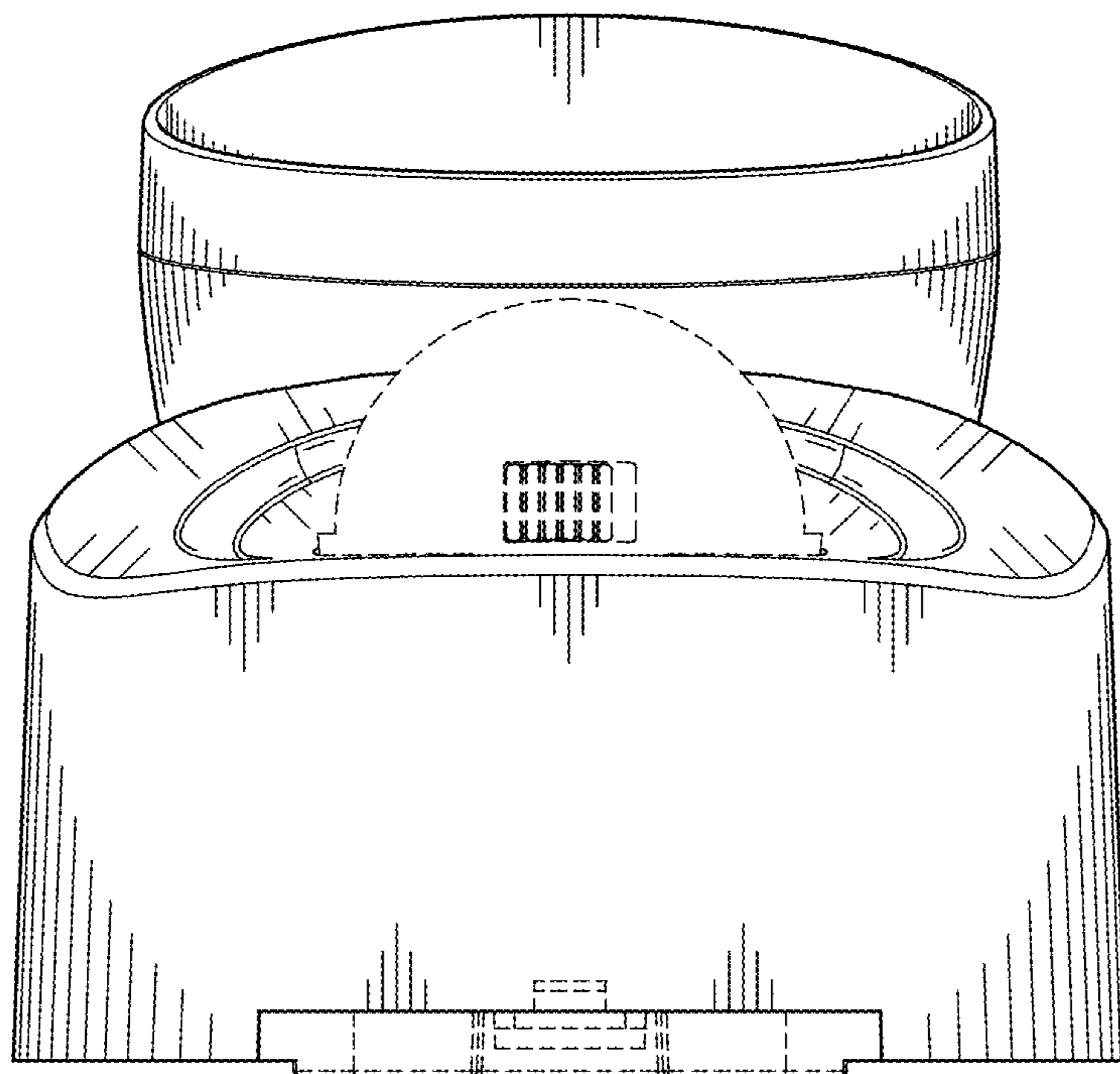


FIG.7



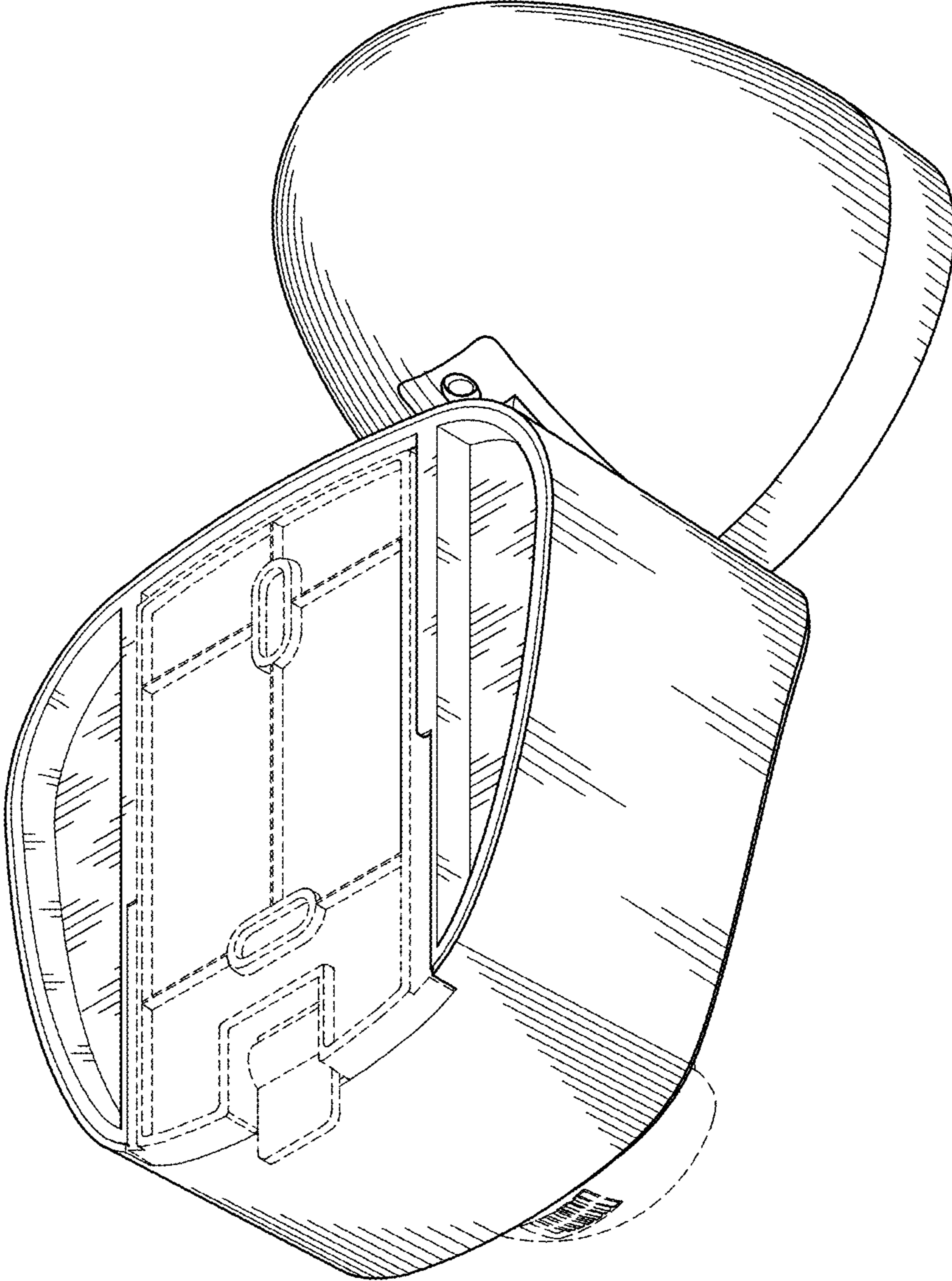


FIG.8