



US00D809174S

(12) **United States Design Patent**
Liang

(10) **Patent No.:** **US D809,174 S**

(45) **Date of Patent:** **** Jan. 30, 2018**

(54) **SOLAR POWERED UMBRELLA LAMP**

(71) Applicant: **Qinghui Liang**, Fujian Province (CN)

(72) Inventor: **Qinghui Liang**, Fujian Province (CN)

(**) Term: **15 Years**

(21) Appl. No.: **29/567,330**

(22) Filed: **Jun. 8, 2016**

(51) **LOC (11) Cl.** **26-03**

(52) **U.S. Cl.**
USPC **D26/60**

(58) **Field of Classification Search**
USPC D26/37, 39, 38, 46, 60
CPC F21V 33/00; F21V 14/025; F21V 21/406;
F21V 21/0085; F21Y 2101/02; F21L
17/00; F21L 13/08
See application file for complete search history.

(56) **References Cited**

U.S. PATENT DOCUMENTS

D301,753 S *	6/1989	Iacovelli	D26/60
D336,351 S *	6/1993	Freese	D26/60
D363,565 S *	10/1995	Sugiura	D26/60
7,118,241 B2 *	10/2006	Sohn	F21V 21/0885 2/209.13

D580,576 S *	11/2008	Wang	D26/60
D605,322 S *	12/2009	Lee	D26/60
8,002,437 B2 *	8/2011	Sohn	F21V 21/0885 362/249.01
D685,511 S *	7/2013	Wu	D26/60
D766,480 S *	9/2016	Bo	D26/60
D780,967 S *	3/2017	Geddes	D26/60
D787,729 S *	5/2017	Jin	D26/60

* cited by examiner

Primary Examiner — Brian N. Vinson

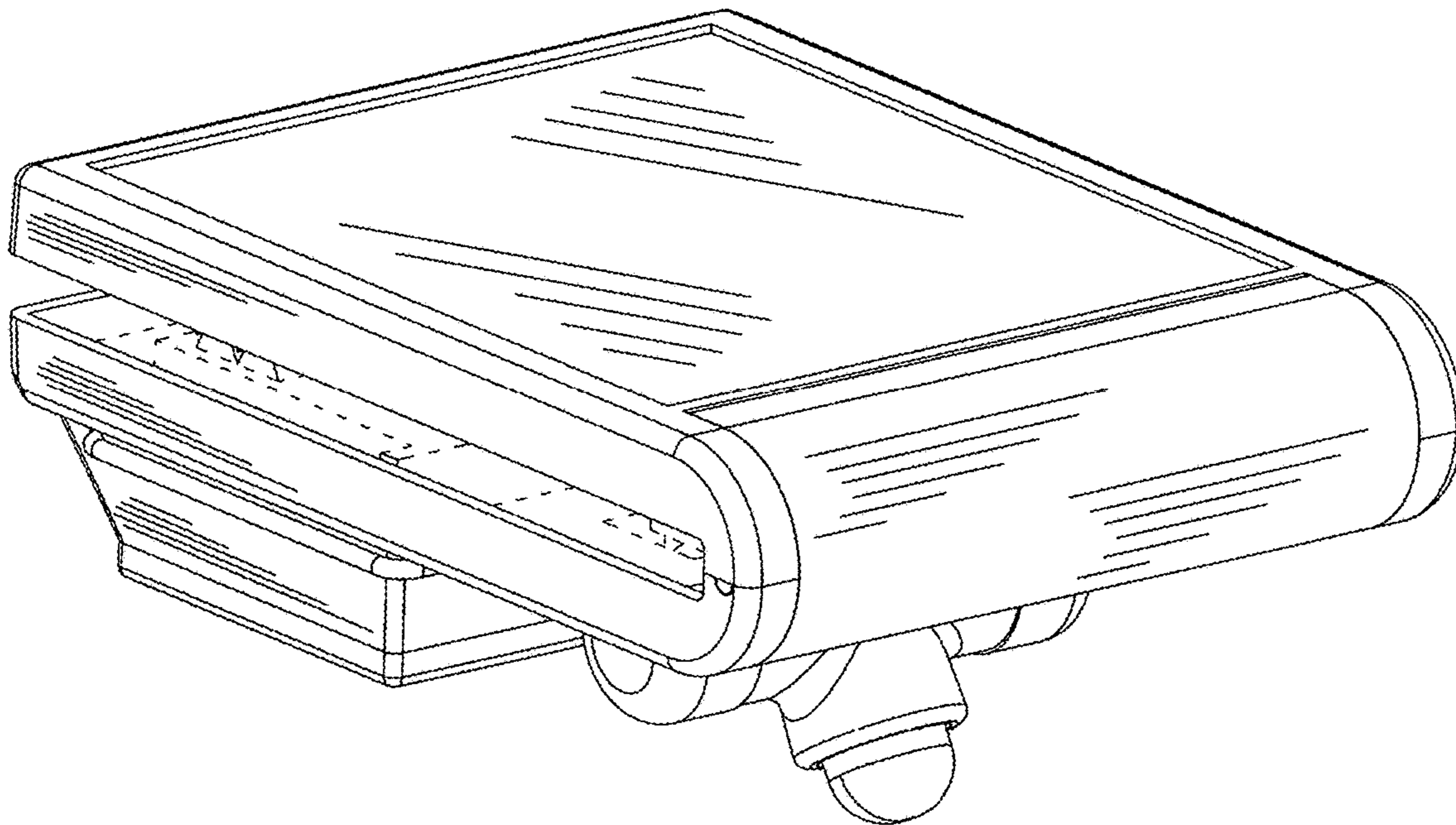
(57) **CLAIM**

The ornamental design for a solar powered umbrella lamp, as shown and described.

DESCRIPTION

FIG. 1 is a front elevational view of a solar powered umbrella lamp showing my new design; FIG. 2 is a rear elevational view thereof; FIG. 3 is a left side view thereof; FIG. 4 is a right side view thereof; FIG. 5 is a top plan view thereof; FIG. 6 is a bottom plan view thereof; FIG. 7 is a perspective view thereof; FIG. 8 is a second perspective view thereof; and, FIG. 9 is a third perspective view thereof. The broken lines shown form no part of the claimed design.

1 Claim, 7 Drawing Sheets



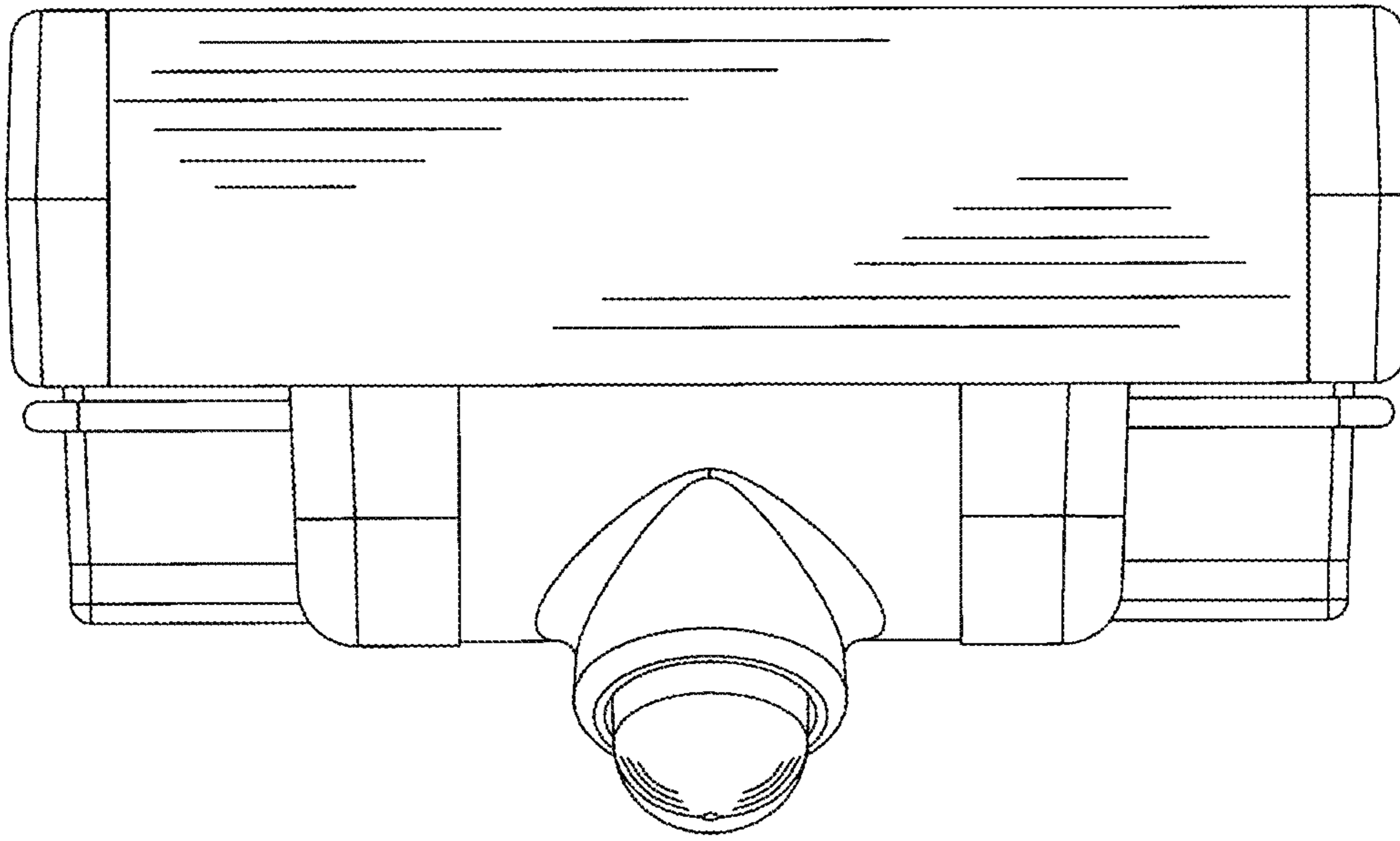


FIG. 1

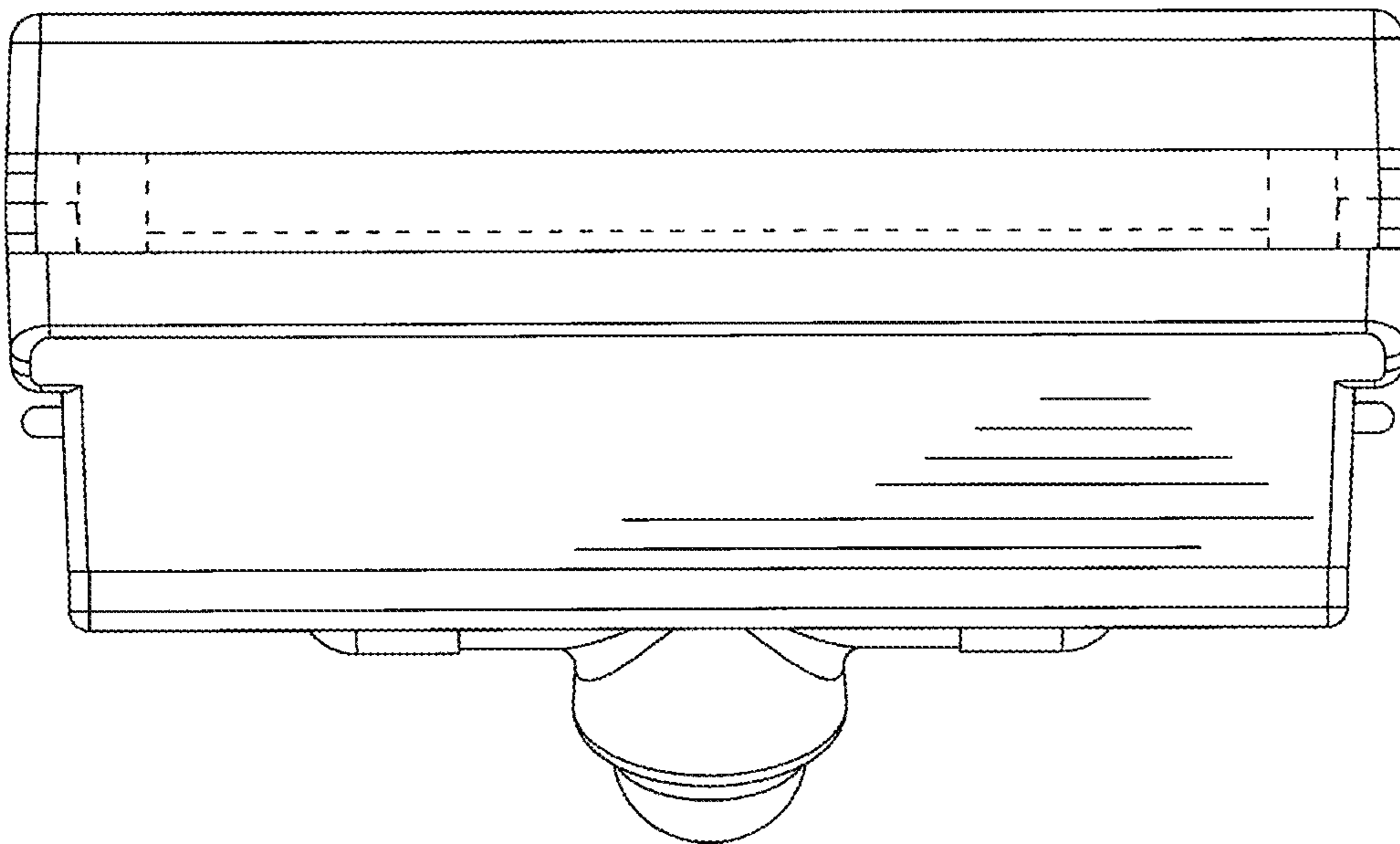


FIG. 2

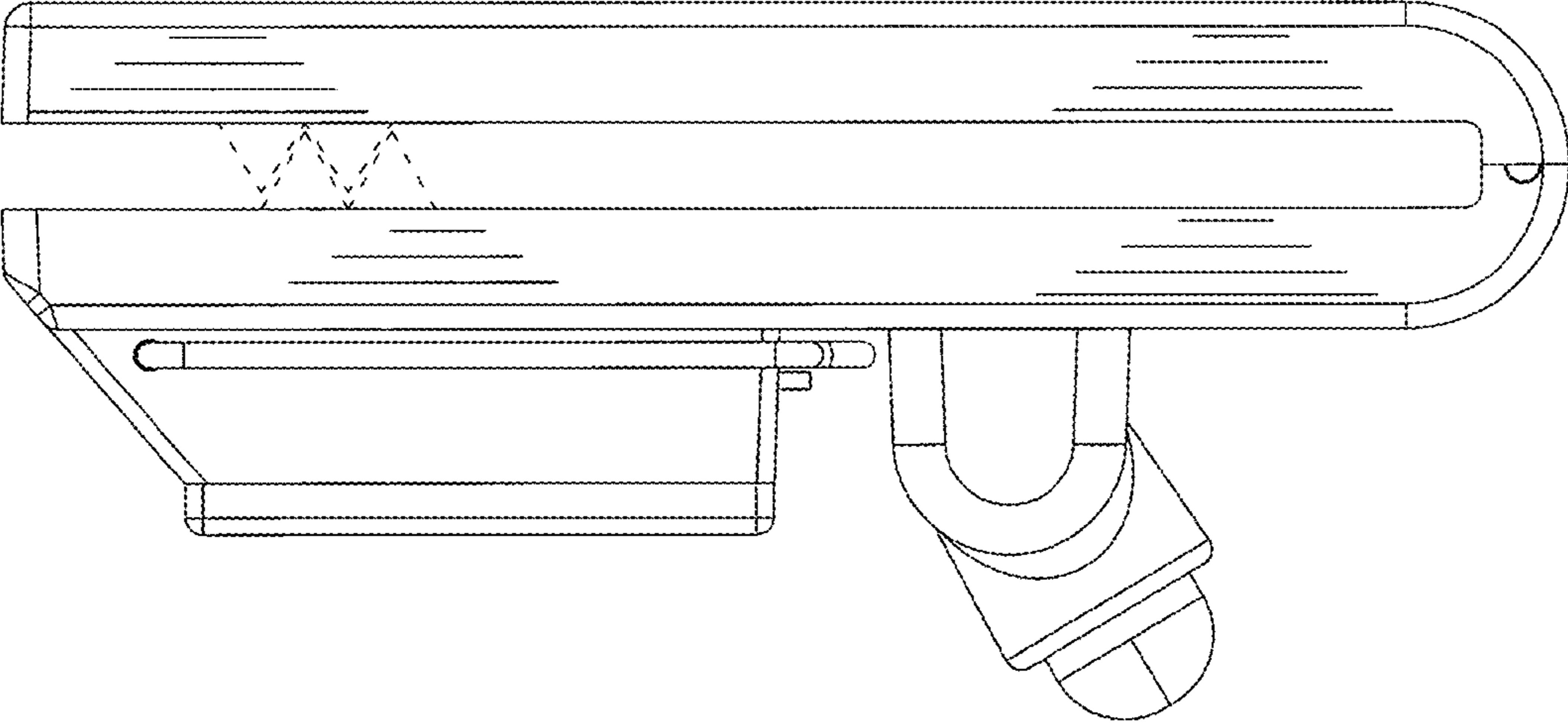


FIG. 3

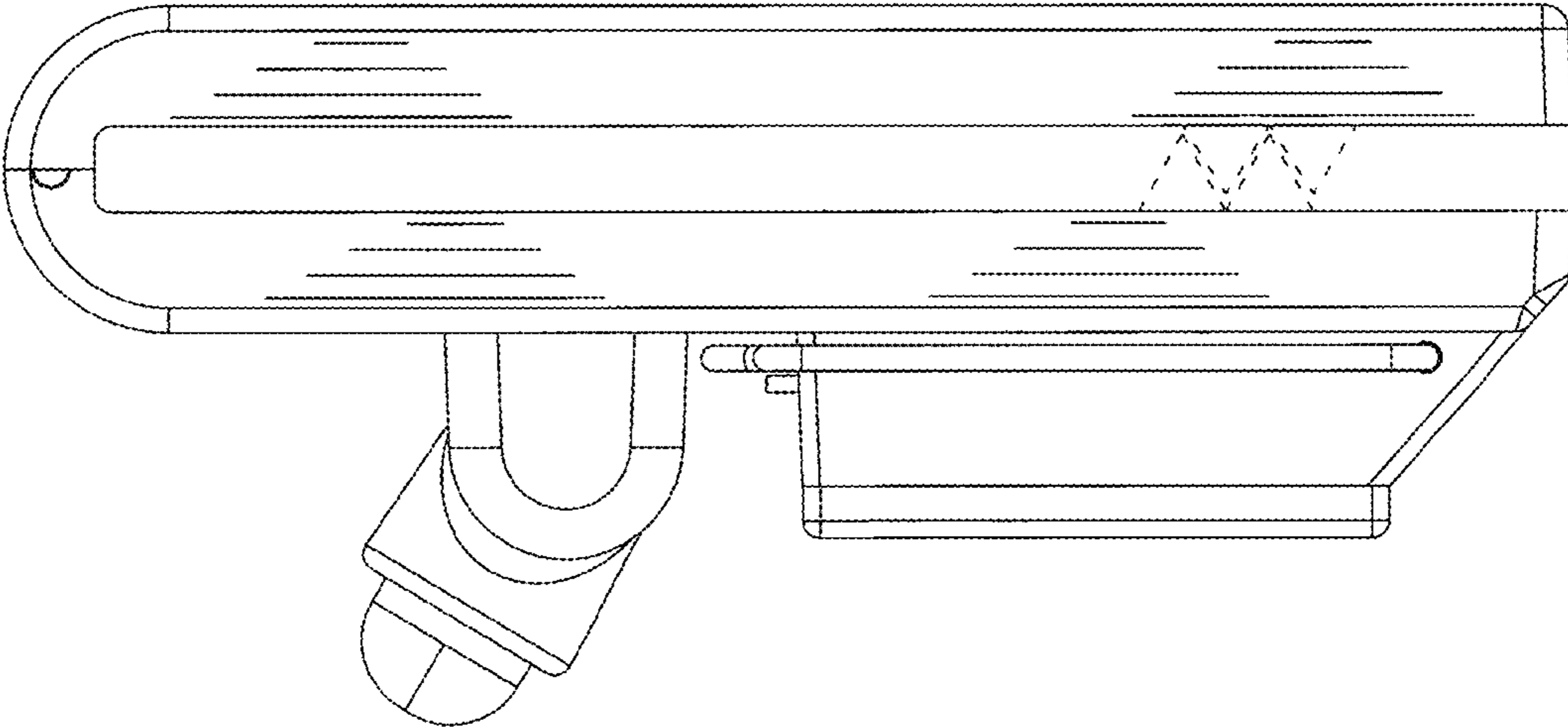


FIG. 4

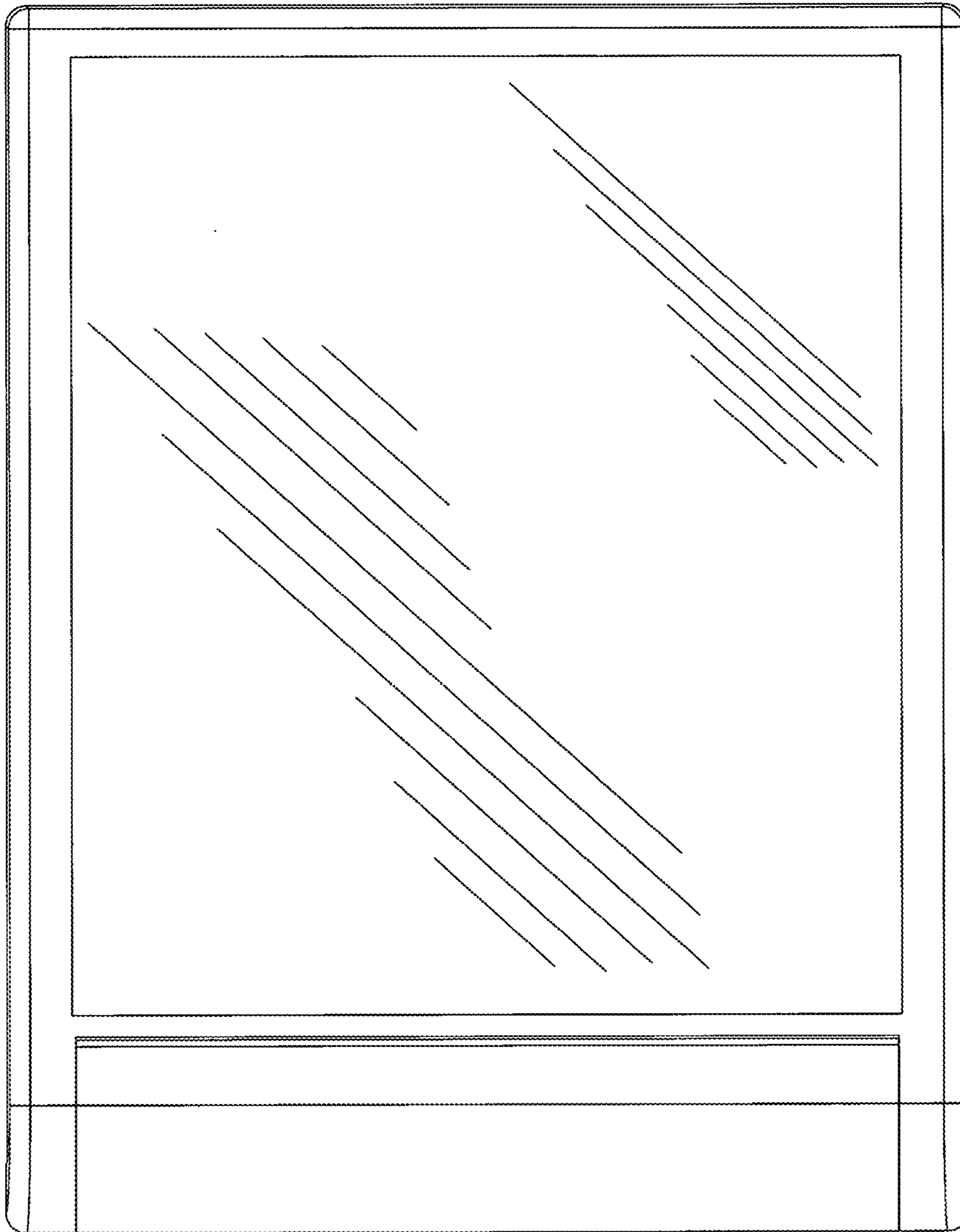


FIG. 5

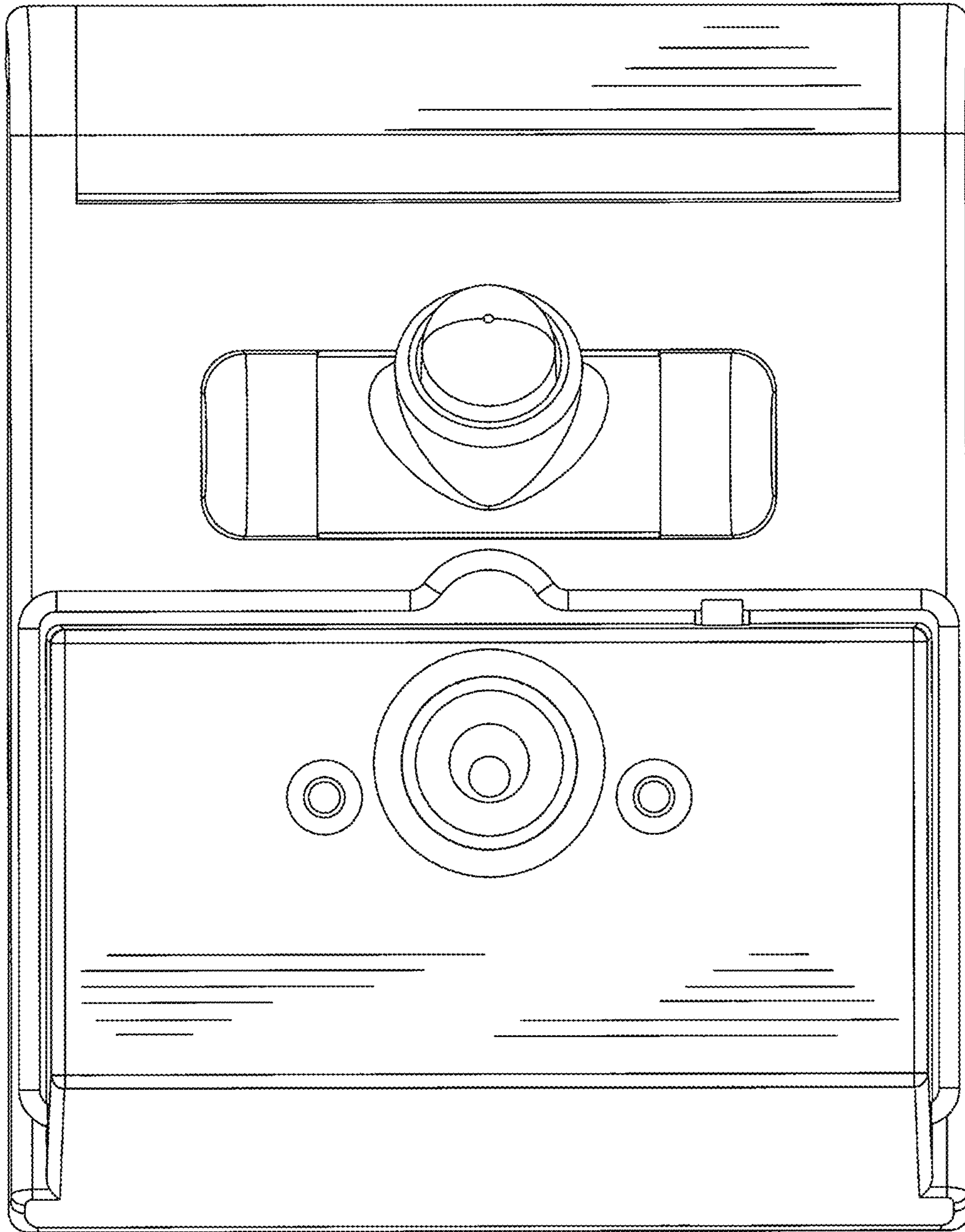


FIG. 6

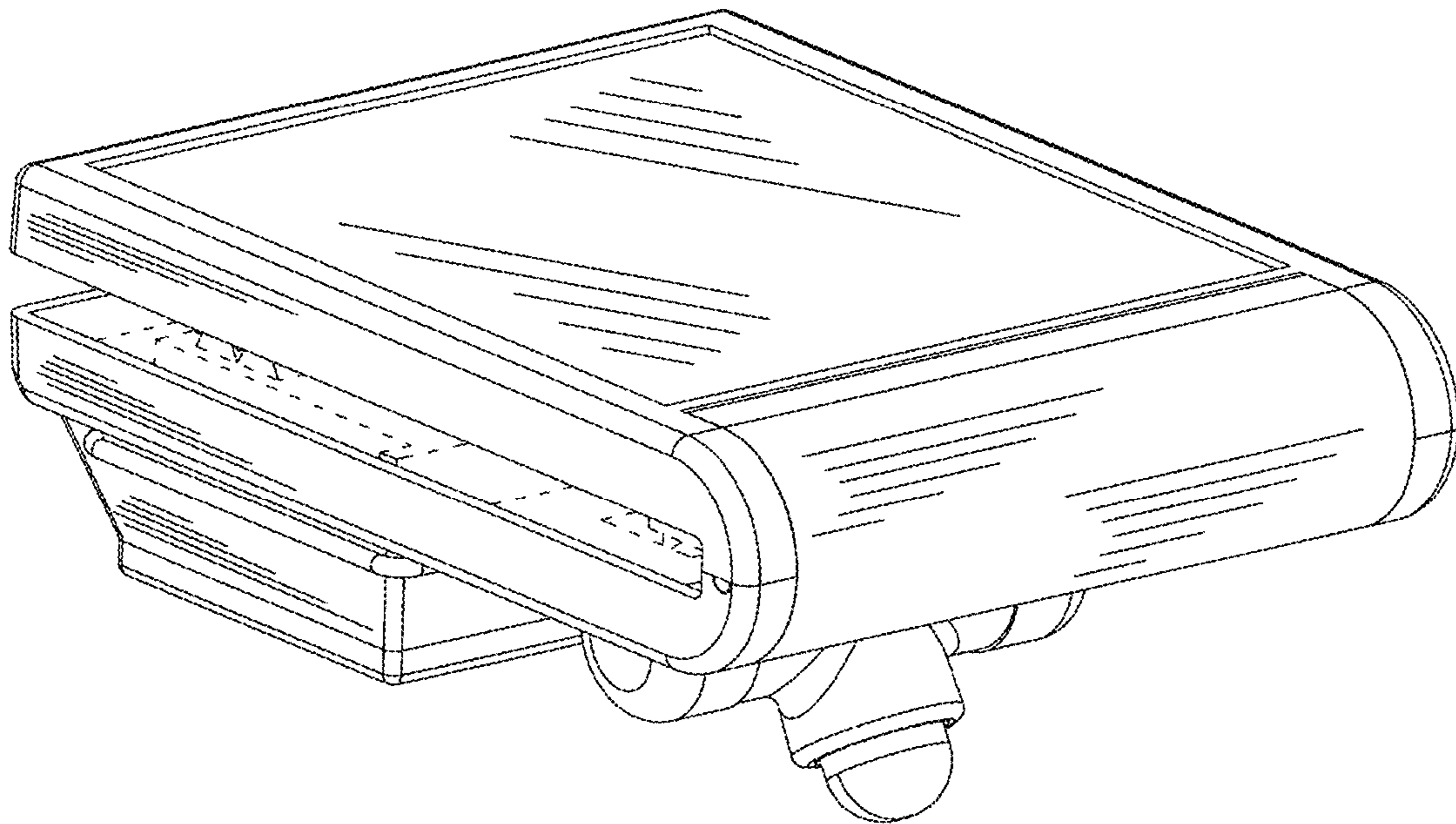


FIG. 7

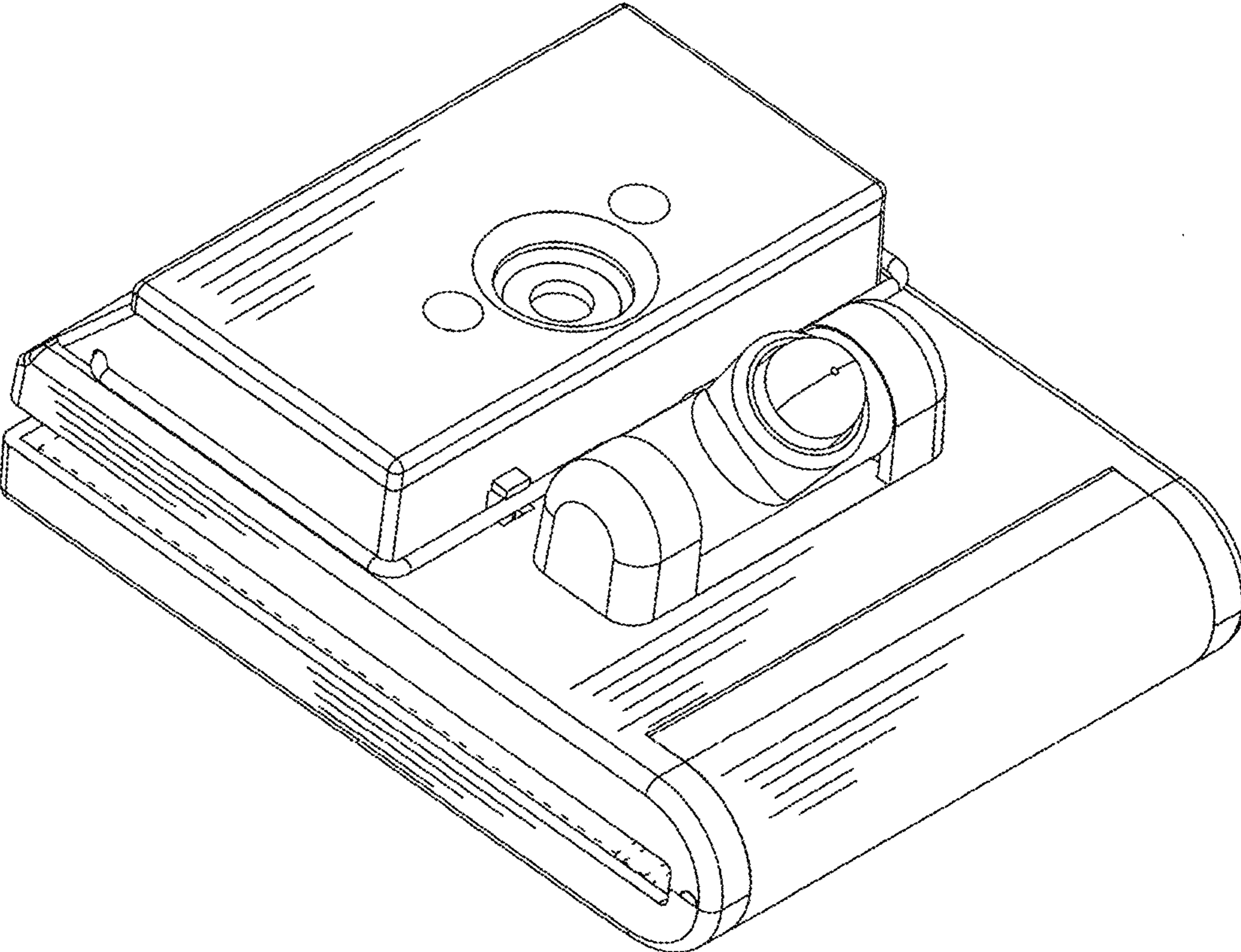


FIG. 8

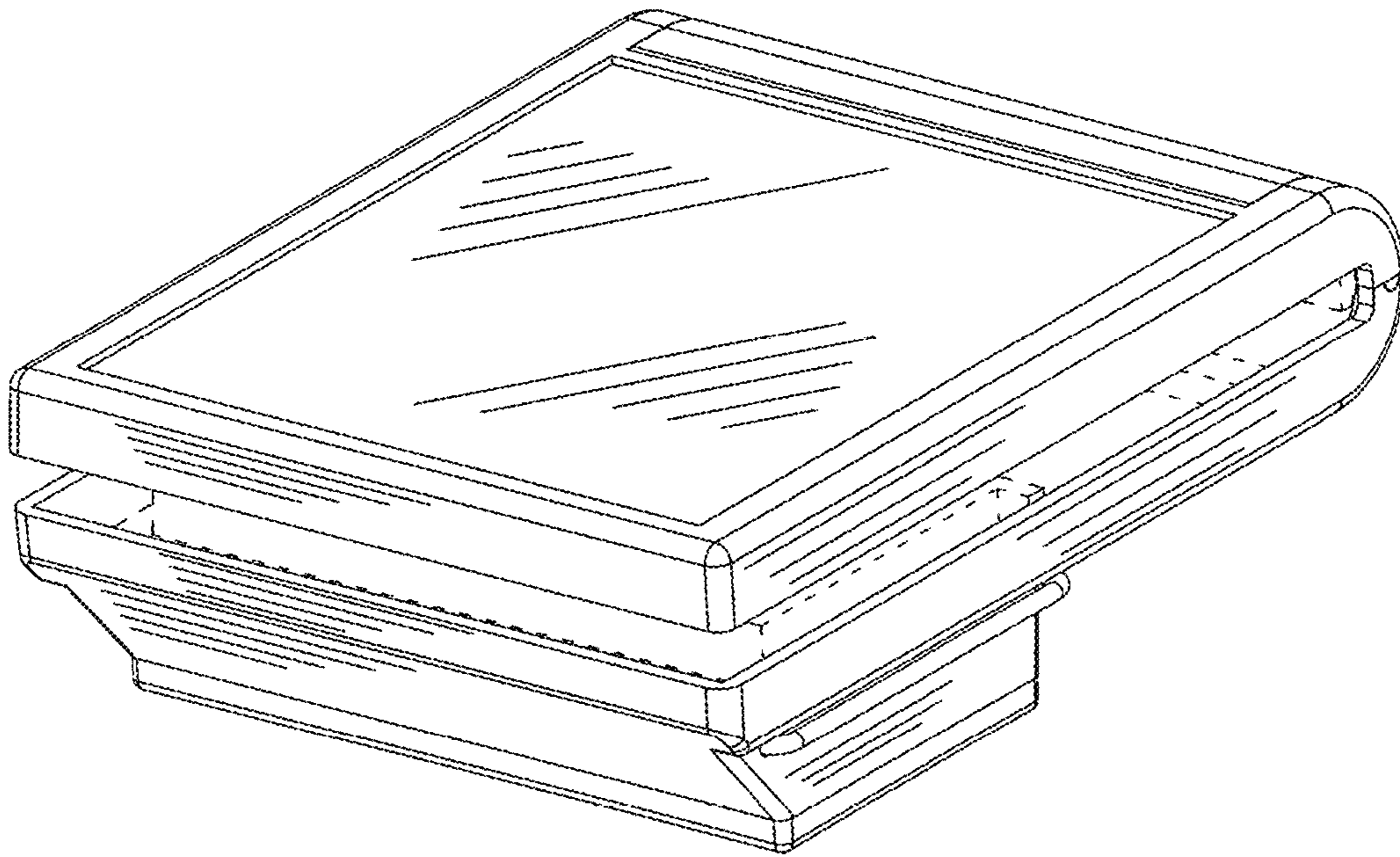


FIG. 9