



US00D809173S

(12) **United States Design Patent**  
**Schneider**

(10) **Patent No.: US D809,173 S**

(45) **Date of Patent: \*\* Jan. 30, 2018**

(54) **CAP LIGHT**

(71) Applicant: **BTS Trading GmbH**, Uetersen (DE)

(72) Inventor: **Torsten Bernd Schneider**, Uetersen (DE)

(73) Assignee: **BTS TRADING GMBH**, Uetersen (DE)

(\*\*) Term: **15 Years**

(21) Appl. No.: **29/544,984**

(22) Filed: **Nov. 9, 2015**

**Related U.S. Application Data**

(62) Division of application No. 29/491,917, filed on May 27, 2014, now Pat. No. Des. 748,311.

(51) **LOC (11) Cl.** ..... **26-03**

(52) **U.S. Cl.**  
USPC ..... **D26/51**

(58) **Field of Classification Search**  
USPC ..... D26/1, 2, 24, 26, 51  
CPC .. F21S 9/00; F21V 21/00; F21V 33/00; F21V 33/0004; F21V 33/0036; F21W 2121/00; F21W 3131/30

See application file for complete search history.

(56) **References Cited**

**U.S. PATENT DOCUMENTS**

D500,152 S *	12/2004	Stekelenburg .....	D26/2
D637,750 S *	5/2011	Griffiths .....	D26/51
D684,281 S *	6/2013	Rioux .....	D26/2
D685,507 S *	7/2013	Sun .....	D26/2
D685,930 S *	7/2013	On .....	D26/2
D743,582 S *	11/2015	Barr .....	D26/2

\* cited by examiner

*Primary Examiner* — Brian N. Vinson

(74) *Attorney, Agent, or Firm* — Rabin & Berdo, P.C.

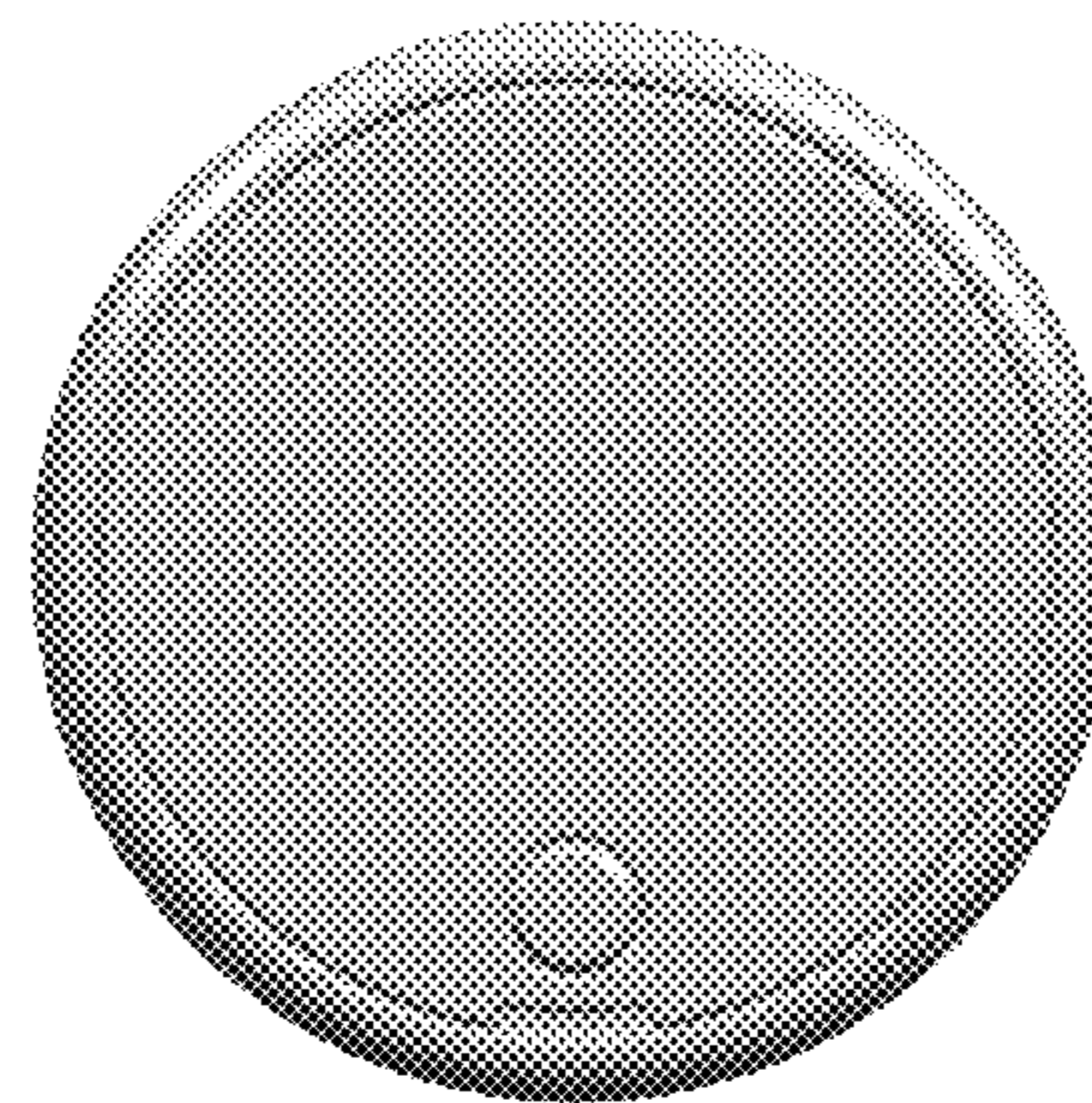
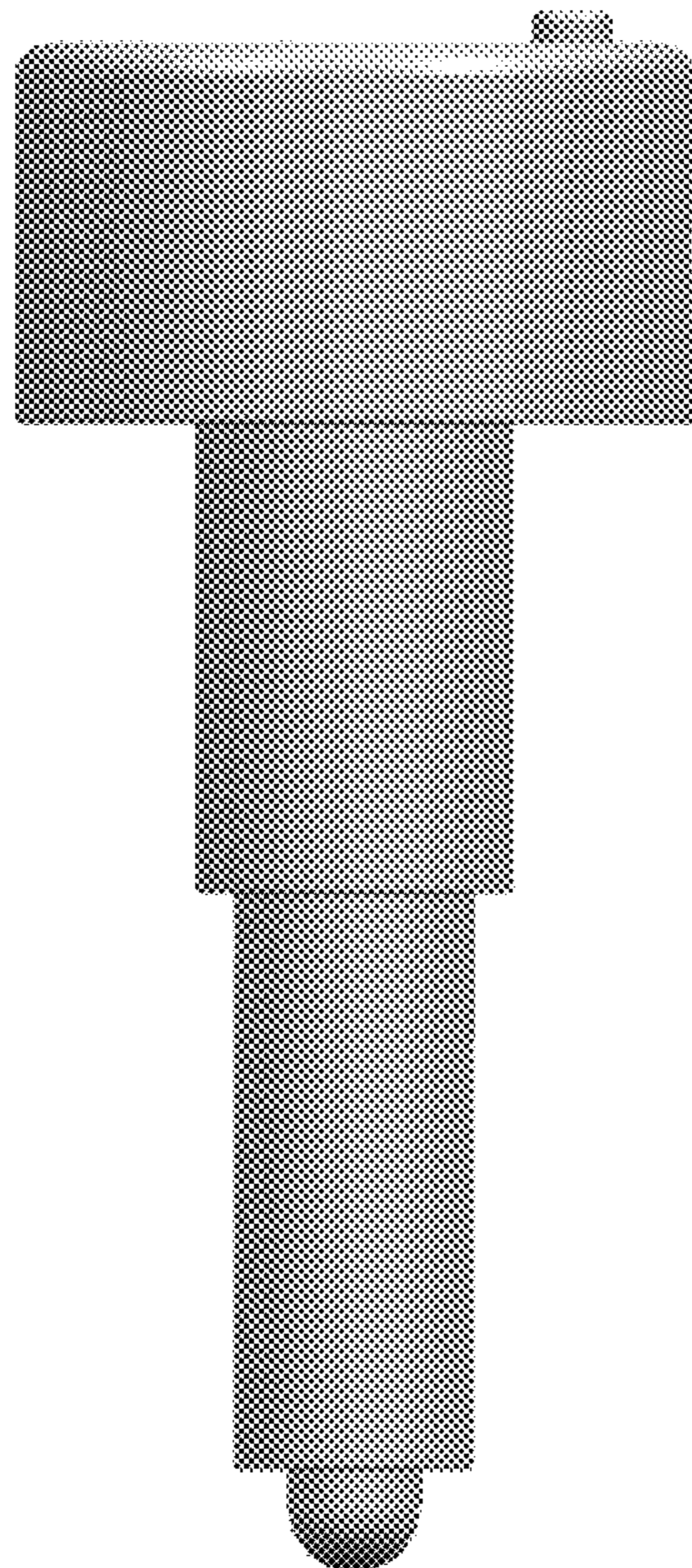
(57) **CLAIM**

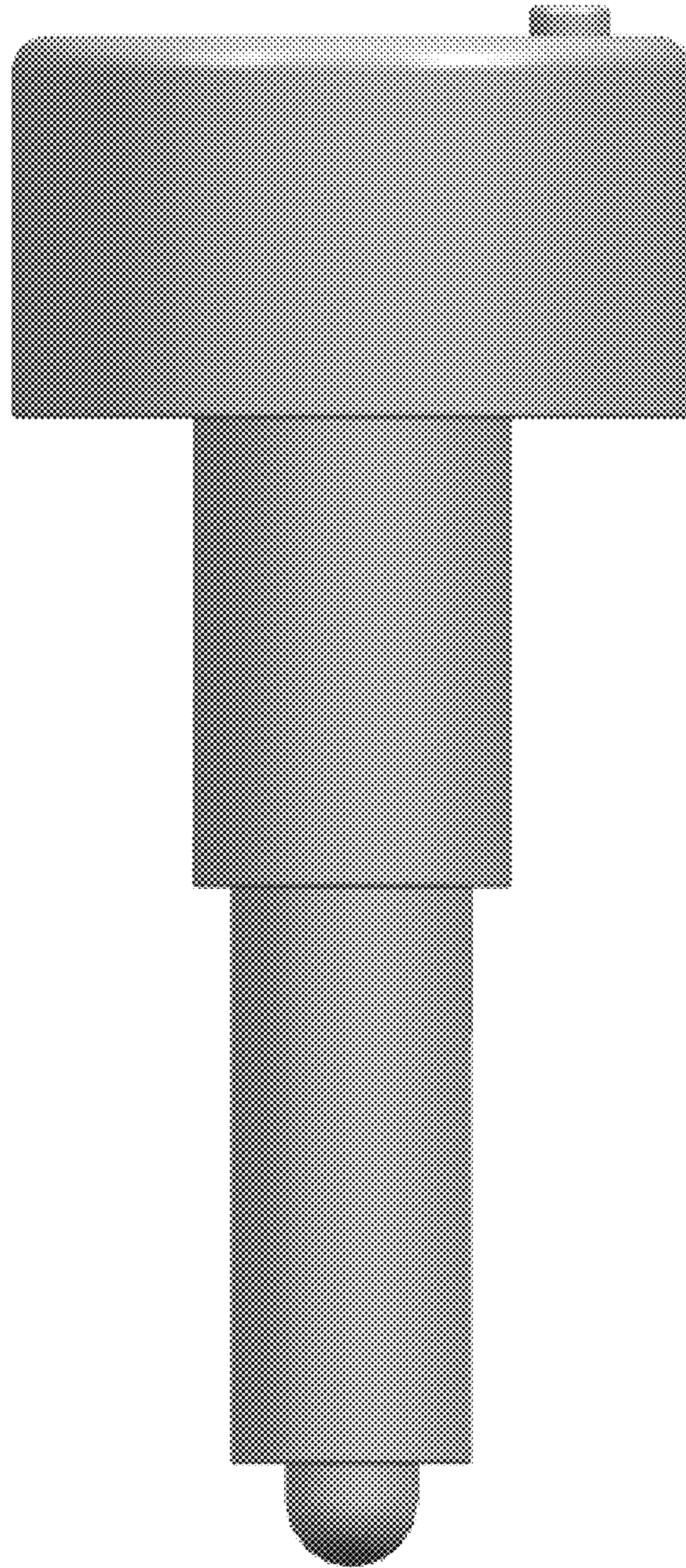
The ornamental design for a cap light, as shown and described.

**DESCRIPTION**

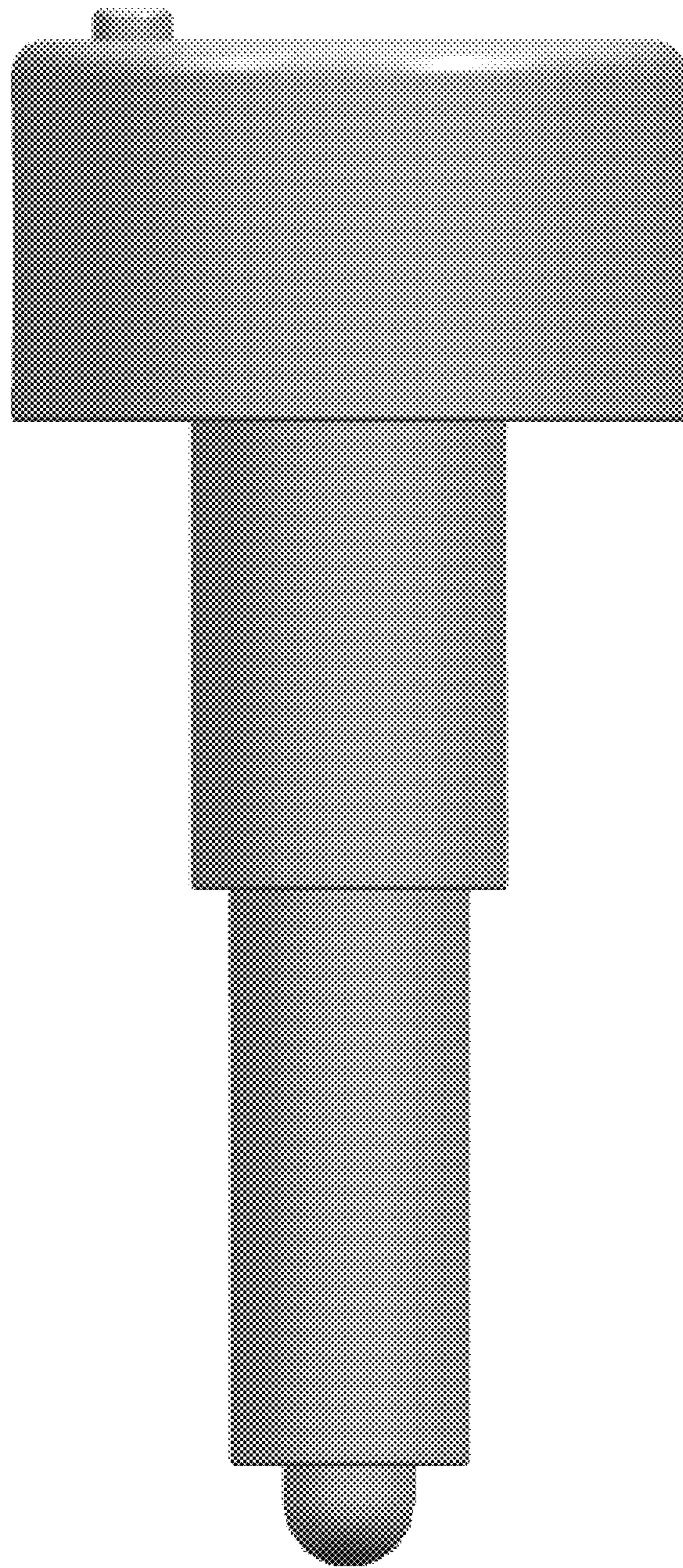
FIG. 1 is front view of a cap light showing my new design; FIG. 2 is a rear view thereof; FIG. 3 is a left side view thereof; FIG. 4 is a right side view thereof; FIG. 5 is a top plan view thereof; FIG. 6 is a bottom plan view thereof; FIG. 7 is a left or right view shown in a position of use; FIG. 8 is a front view shown in a position of use, and, FIG. 9 is a rear view shown in a position of use.

**1 Claim, 9 Drawing Sheets**

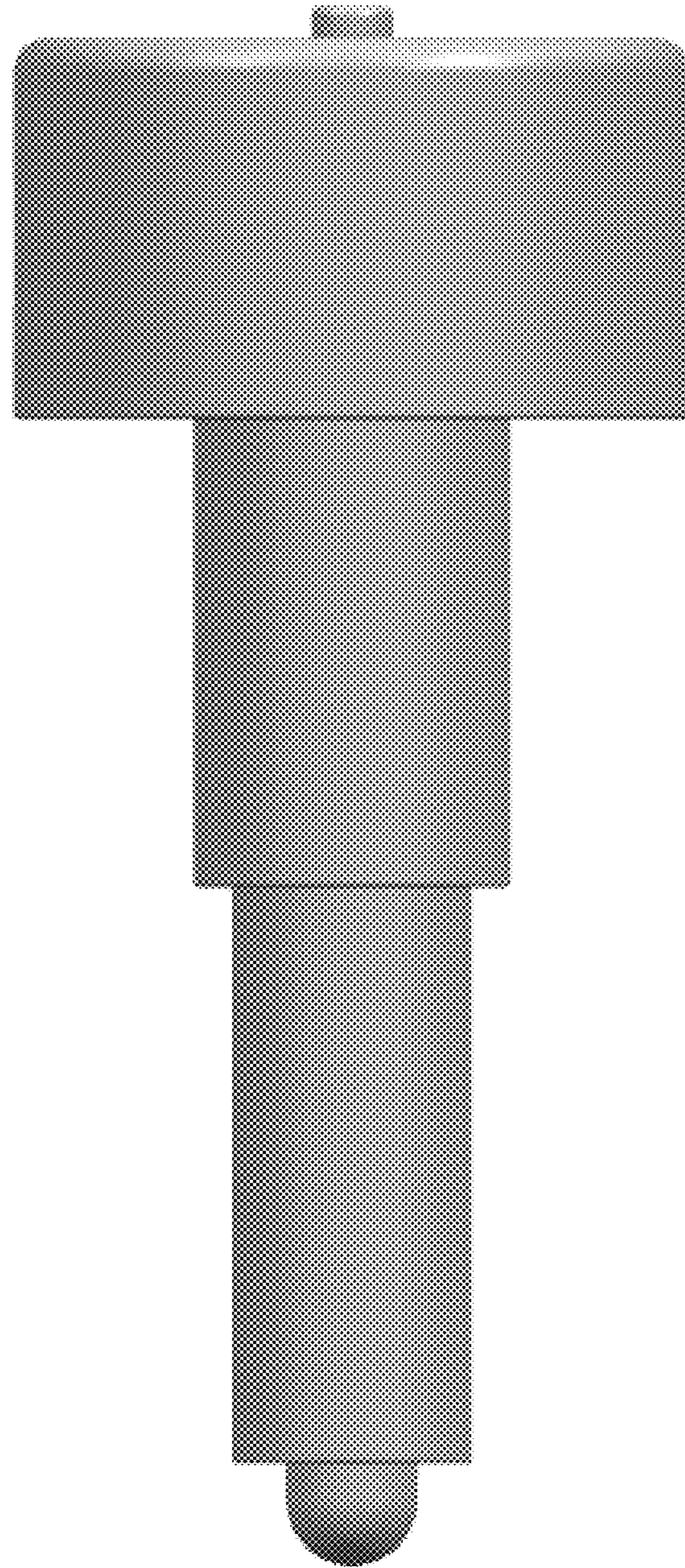




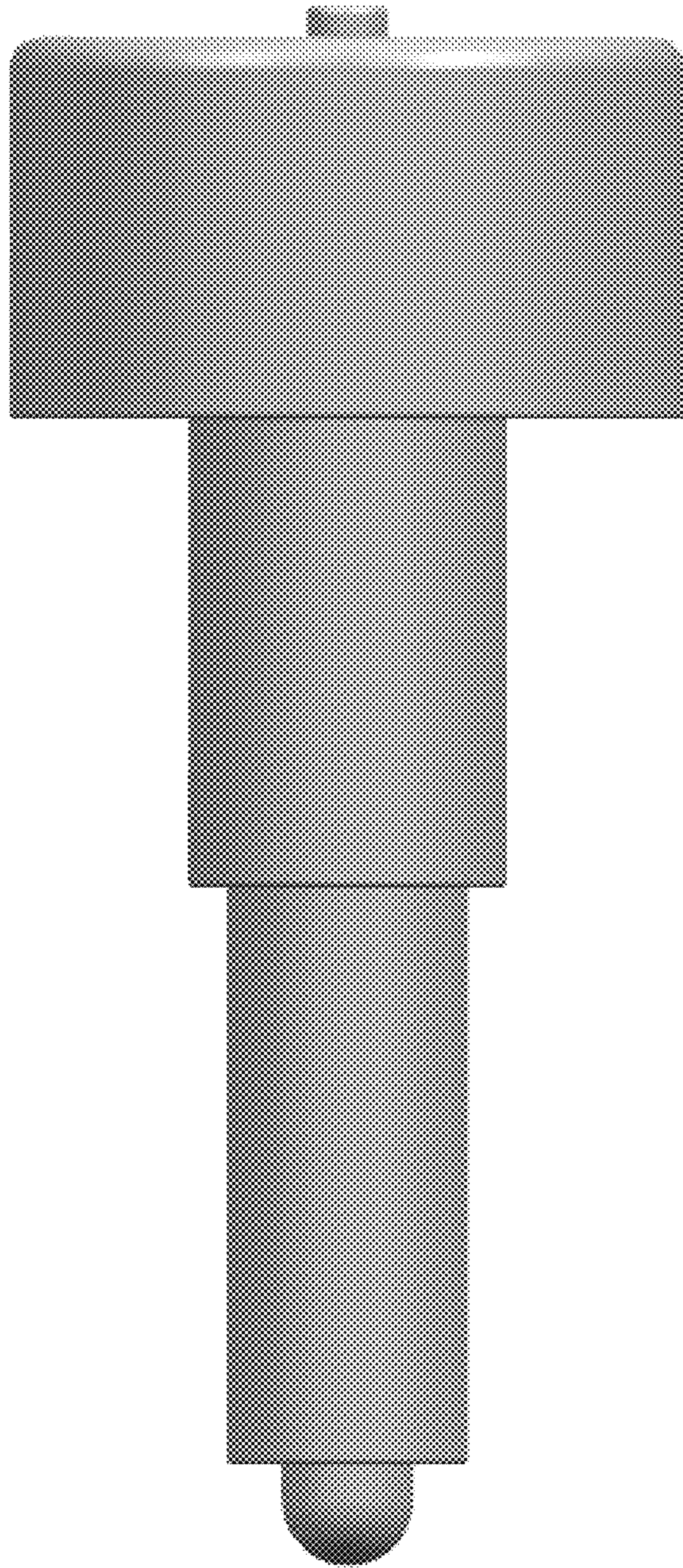
**FIG. 1**



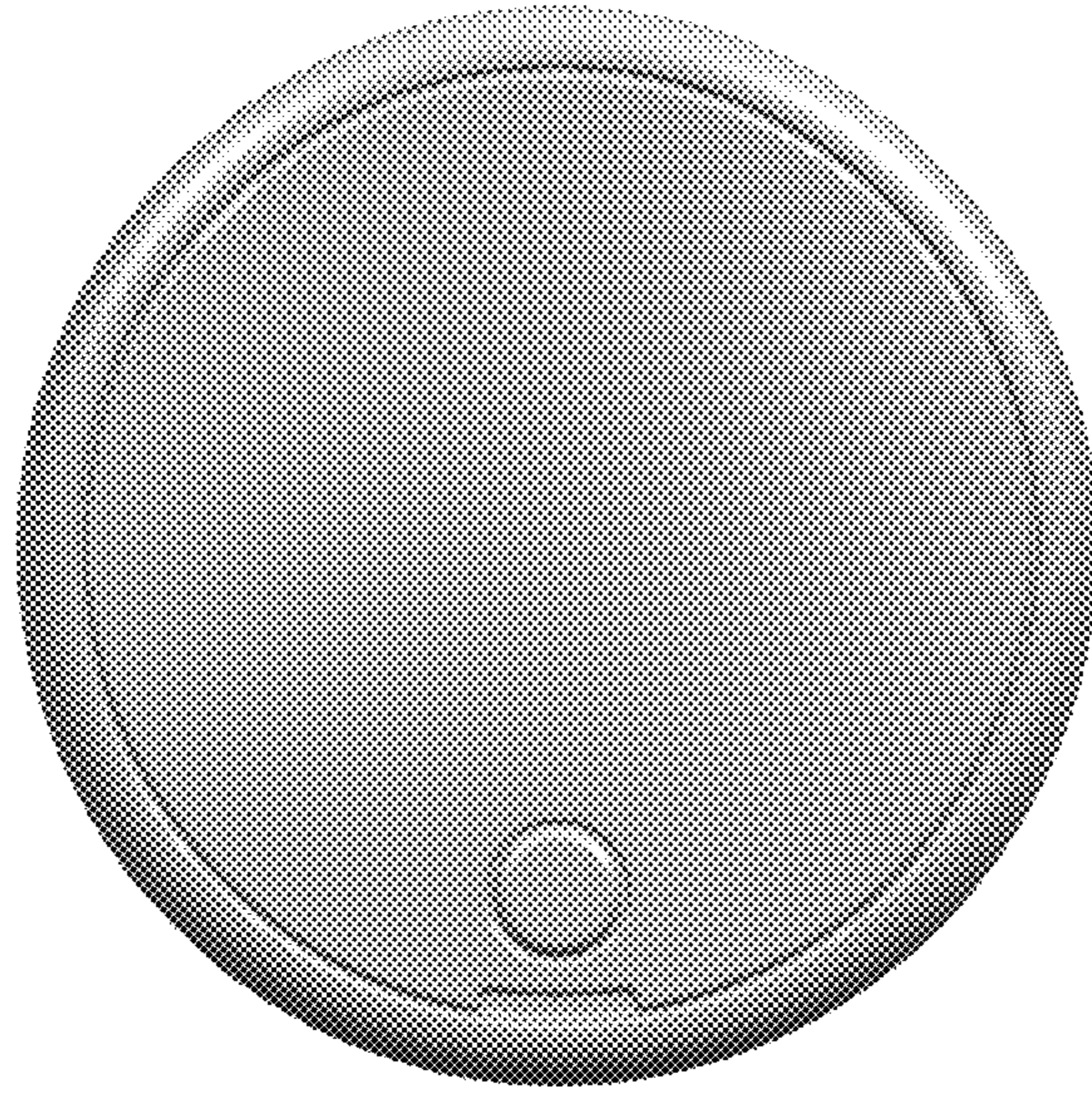
**FIG. 2**



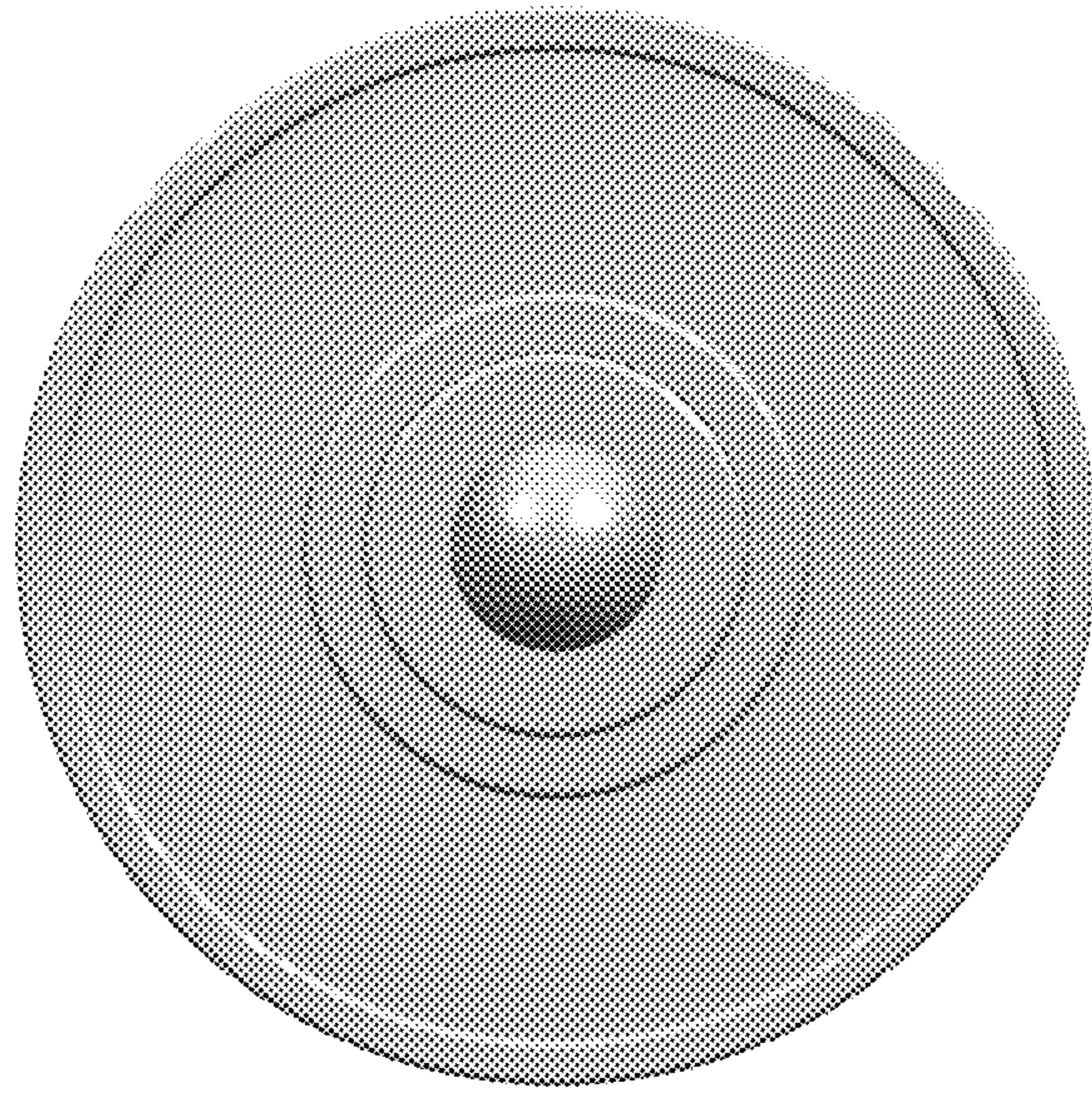
**FIG. 3**



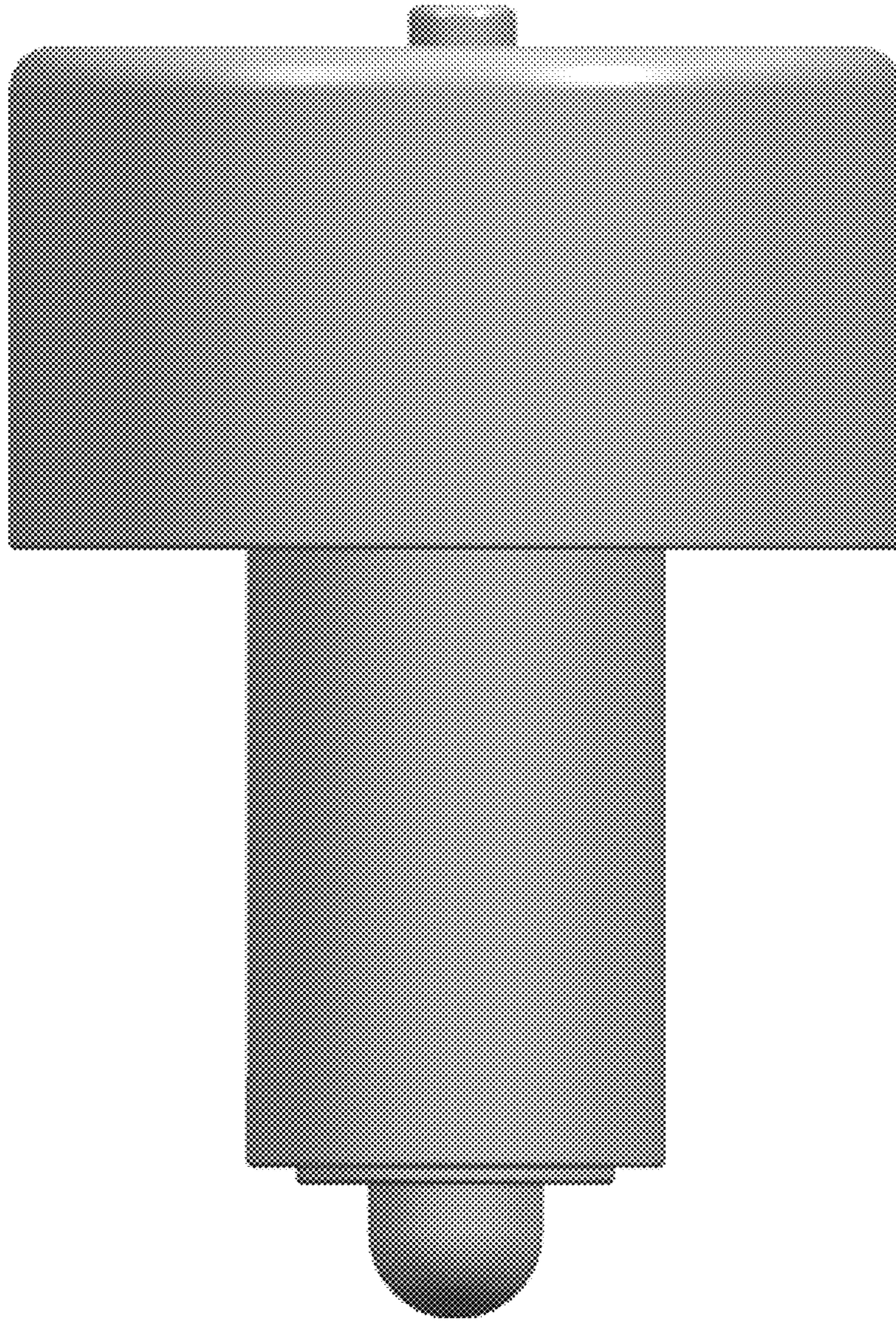
**FIG. 4**



**FIG. 5**

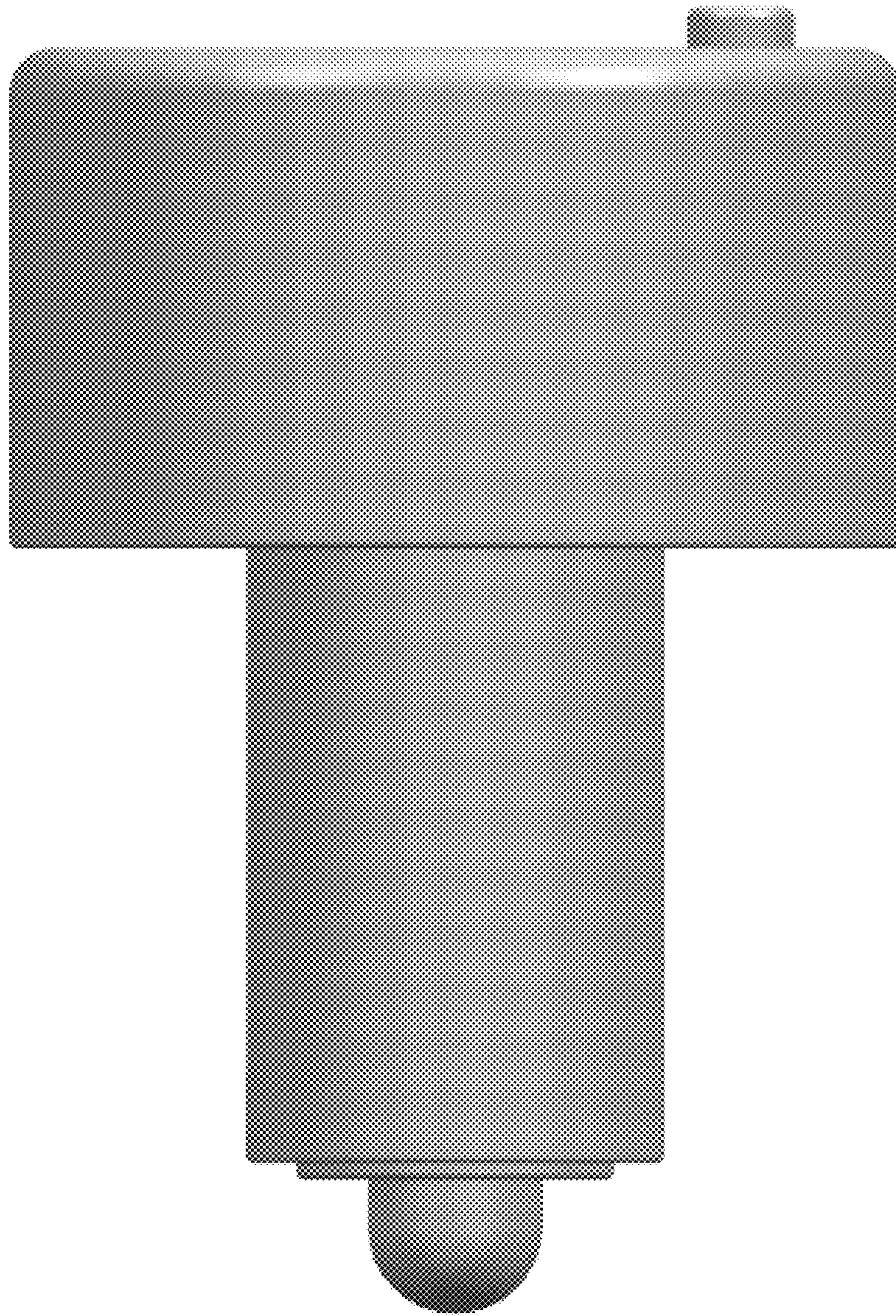


**FIG. 6**

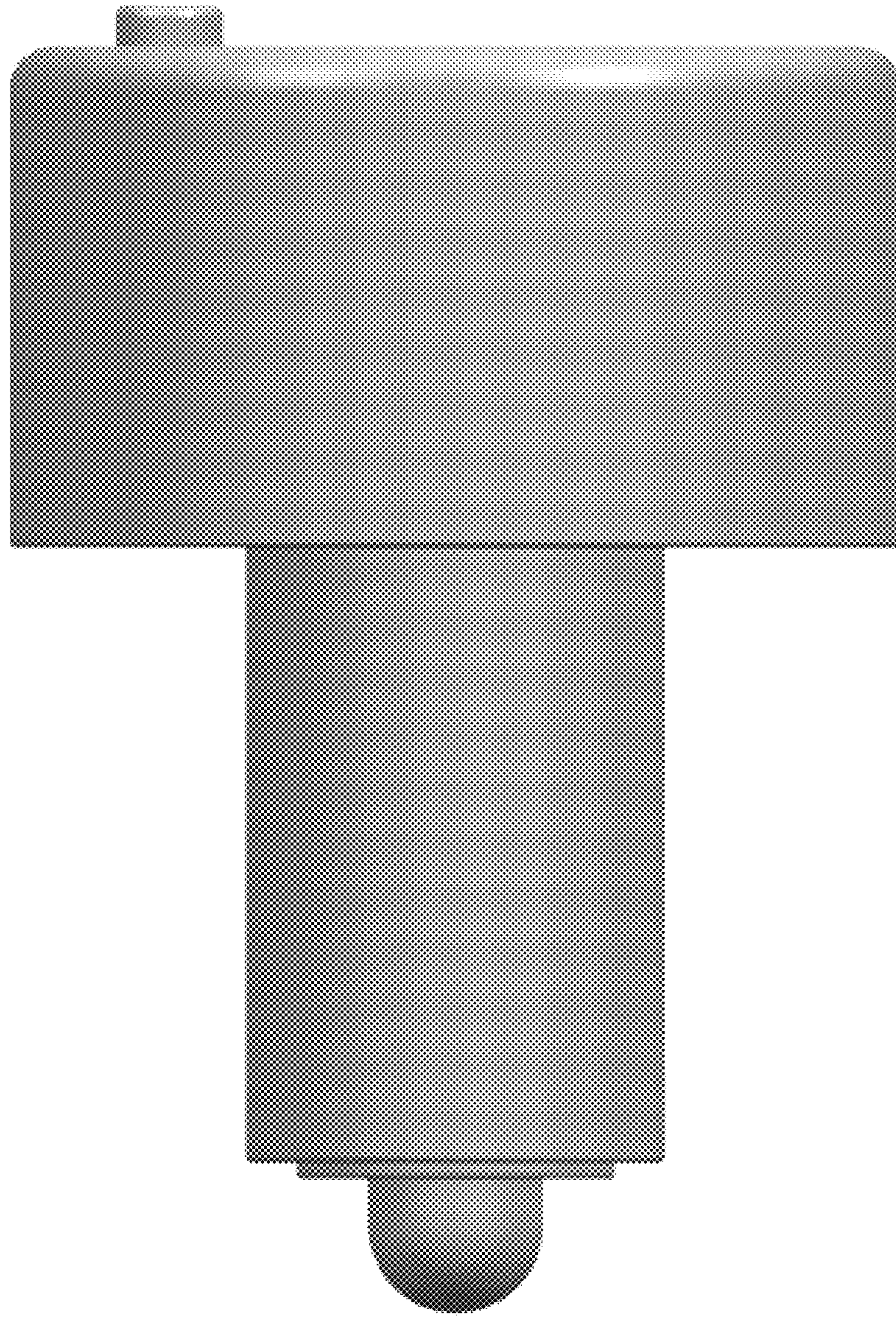


**FIG. 7**





**FIG. 8**



**FIG. 9**