



US00D809172S

(12) **United States Design Patent** (10) **Patent No.:** **US D809,172 S**  
**Goldmeier** (45) **Date of Patent:** **\*\* Jan. 30, 2018**

(54) **TOY VEHICLE FLASHLIGHT**  
 (71) Applicant: **Steven Goldmeier**, Plainview, NY (US)  
 (72) Inventor: **Steven Goldmeier**, Plainview, NY (US)  
 (\*\*) Term: **14 Years**  
 (21) Appl. No.: **29/473,806**  
 (22) Filed: **Nov. 26, 2013**  
 (51) **LOC (11) Cl.** ..... **26-02**  
 (52) **U.S. Cl.**  
 USPC ..... **D26/51**  
 (58) **Field of Classification Search**  
 USPC ... D26/4, 26, 57, 73, 94, 37, 46, 50, 38, 51;  
 362/147, 344, 653, 806, 812, 157, 158,  
 362/183, 184, 194–196, 202–208, 253;  
 D21/560, 562, 552–554  
 CPC ..... F21L 2003/00; F21L 4/00; F21L 4/005;  
 F21L 4/02; F21L 4/025; F21L 4/027;  
 F21L 4/04; F21L 4/08; F21L 2005/00;  
 F21L 7/00; F21L 11/00; F21L 13/00;  
 F21L 13/04; F21L 13/08; F21L 14/02;  
 F21L 17/00; F21L 19/00; F21L 25/00  
 See application file for complete search history.

(56) **References Cited**  
 U.S. PATENT DOCUMENTS  
 3,030,497 A \* 4/1962 Cheng ..... F21L 2/00  
 340/321  
 D204,902 S \* 5/1966 Bridges ..... D26/50  
 D250,141 S \* 10/1978 TenEyck ..... D26/46  
 4,536,169 A 8/1985 Fekete et al.  
 D287,058 S 12/1986 Silverman  
 4,740,872 A \* 4/1988 Chou ..... F21L 2/00  
 362/183  
 D313,664 S \* 1/1991 Gibson ..... D26/42  
 5,173,072 A 12/1992 Ozawa  
 5,259,808 A 11/1993 Garr

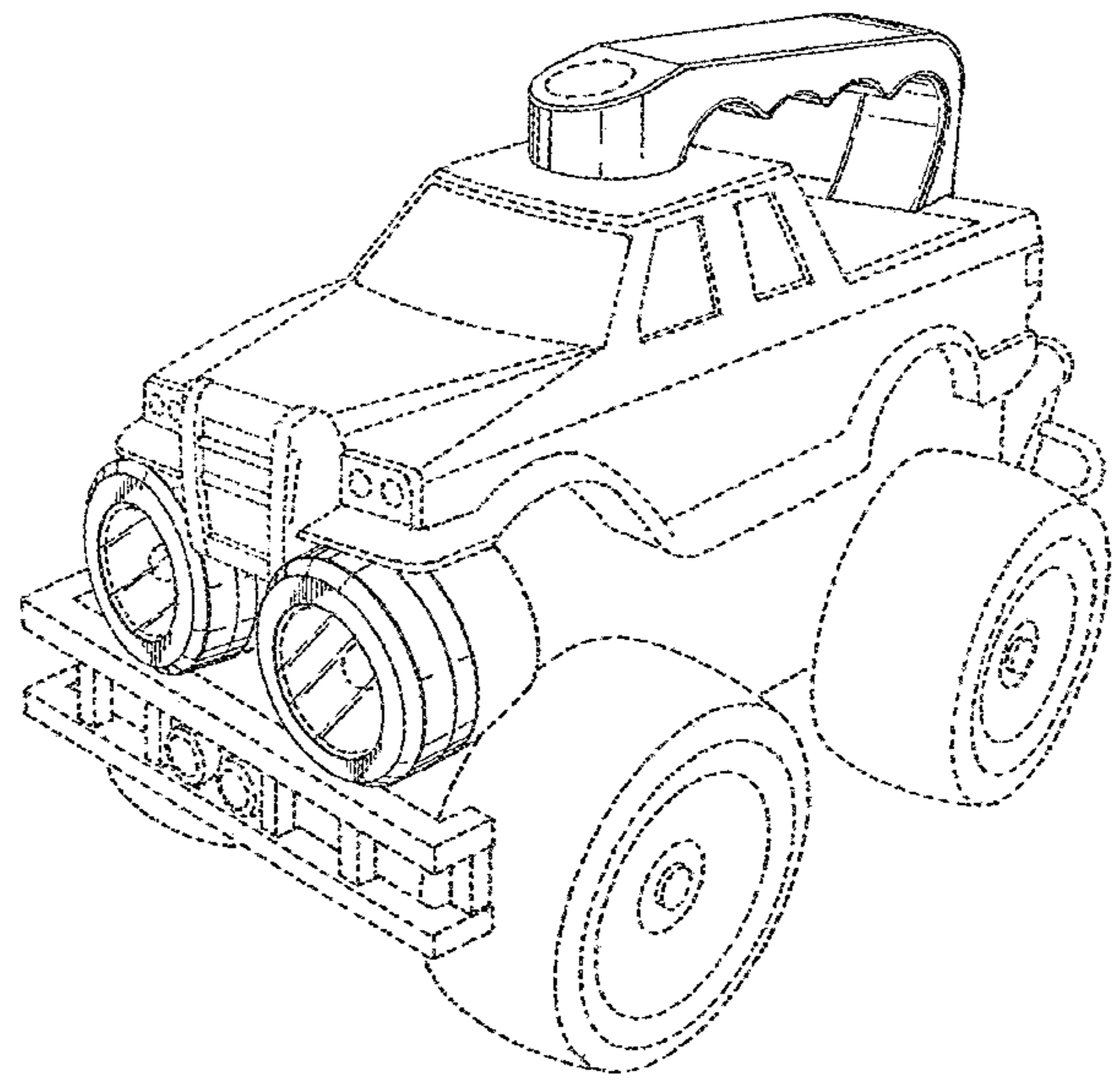
5,273,478 A 12/1993 Yamasaki  
 5,482,494 A 1/1996 Ishimoto  
 5,512,001 A 4/1996 Kent et al.  
 D383,863 S \* 9/1997 Yuen ..... D26/46  
 D424,224 S \* 5/2000 Petterson ..... D26/46  
 D424,721 S \* 5/2000 Garrity ..... D26/26  
 D425,228 S \* 5/2000 Kibler ..... D26/37  
 6,106,362 A 8/2000 Keller et al.  
 D432,596 S \* 10/2000 Rosen ..... D21/552  
 D443,708 S \* 6/2001 Lynch ..... D26/46  
 D445,935 S \* 7/2001 Shing ..... D26/50  
 D481,153 S \* 10/2003 Wilson ..... D26/97  
 6,814,634 B2 11/2004 Roberts  
 D514,722 S \* 2/2006 Shen ..... D26/46  
 D526,638 S 8/2006 Farkas  
 D529,926 S \* 10/2006 Krieger ..... D15/9  
 D531,336 S \* 10/2006 Yuen ..... D26/46  
 D532,542 S \* 11/2006 Yuen ..... D26/46  
 D532,916 S \* 11/2006 Yuen ..... D26/46  
 D542,447 S \* 5/2007 Krieger ..... D26/38  
 D550,883 S 9/2007 Nunes  
 D553,281 S \* 10/2007 Rugendyke ..... D26/46  
 (Continued)

Primary Examiner — Ian Simmons  
 Assistant Examiner — Carissa C Fitts  
 (74) Attorney, Agent, or Firm — Alfred M. Walker

(57) **CLAIM**  
 I claim the ornamental design for a toy vehicle flashlight, as shown and described.

**DESCRIPTION**  
 FIG. 1 is a perspective view of a preferred embodiment for a toy vehicle flashlight, showing a “monster truck” vehicle; FIG. 2 is a right side elevation view thereof; FIG. 3 is a left side elevation view thereof; FIG. 4 is a front elevation view thereof; FIG. 5 is a rear elevation view thereof; FIG. 6 is a top plan view thereof; and, FIG. 7 is a bottom view thereof.

**1 Claim, 7 Drawing Sheets**



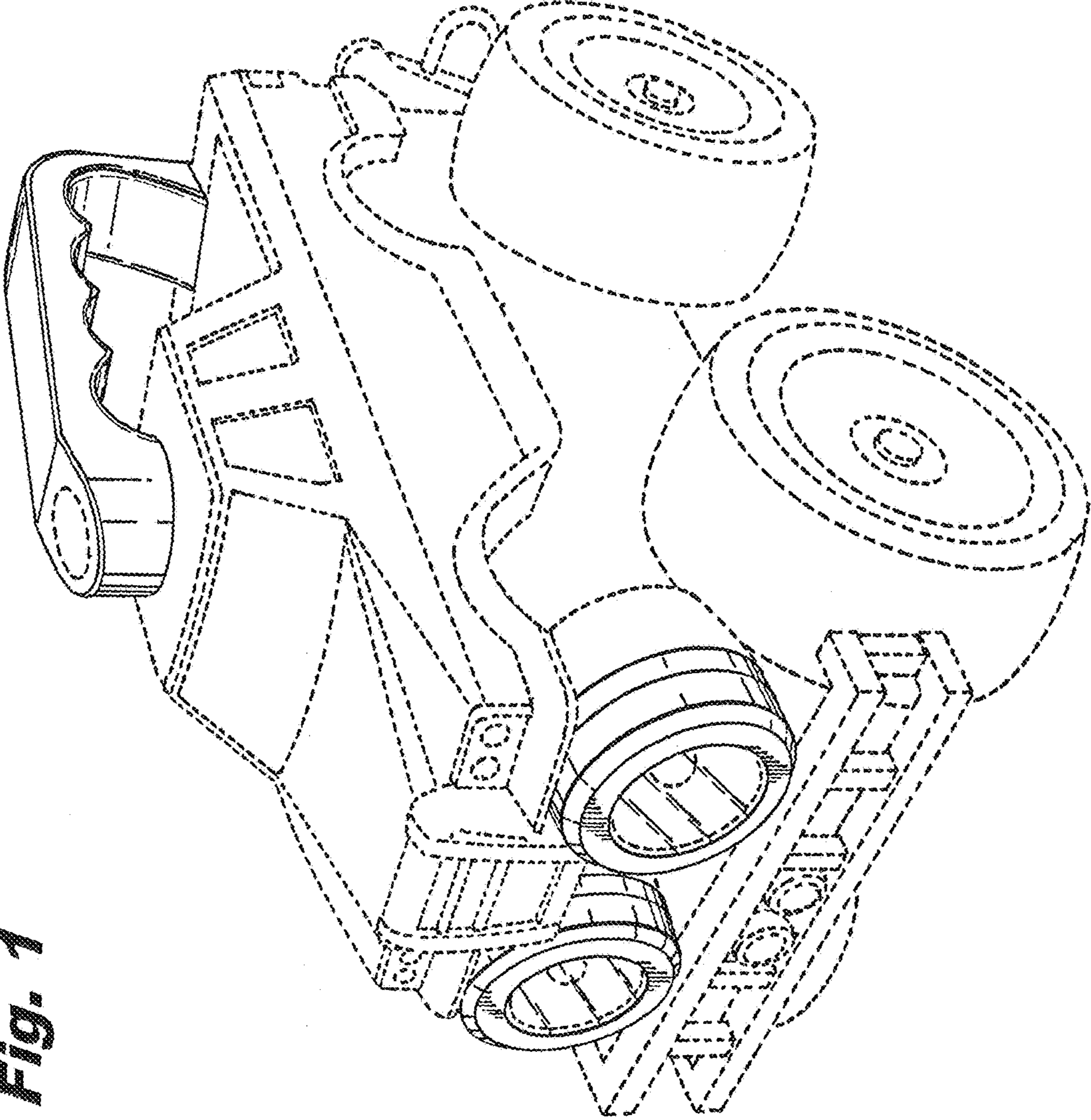
(56)

**References Cited**

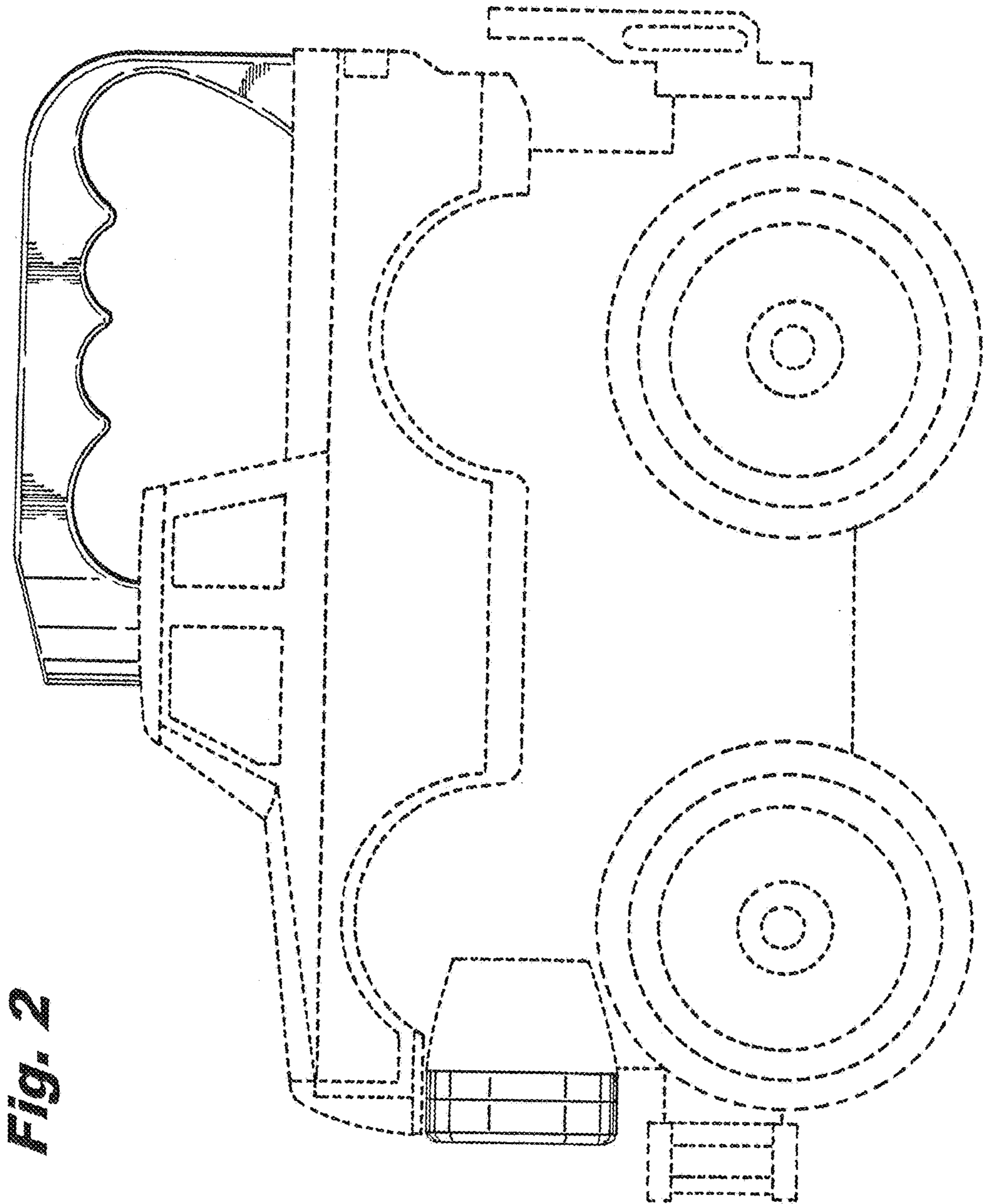
U.S. PATENT DOCUMENTS

D569,022 S *	5/2008	Lin	.....	D26/46
D586,936 S *	2/2009	Nunes	.....	D26/73
8,933,800 B1 *	1/2015	Biles	.....	B60Q 1/302 340/468

\* cited by examiner

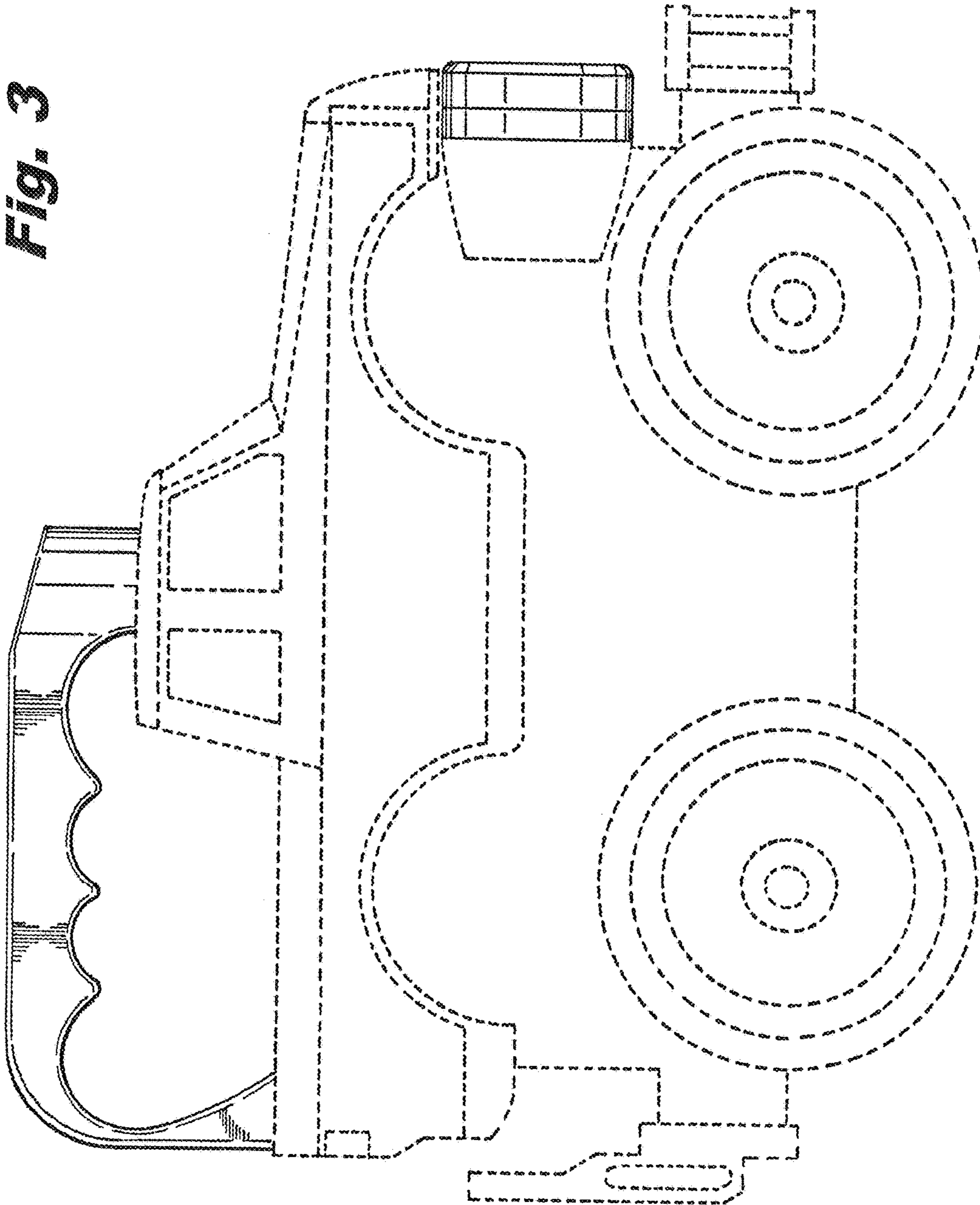


**Fig. 1**

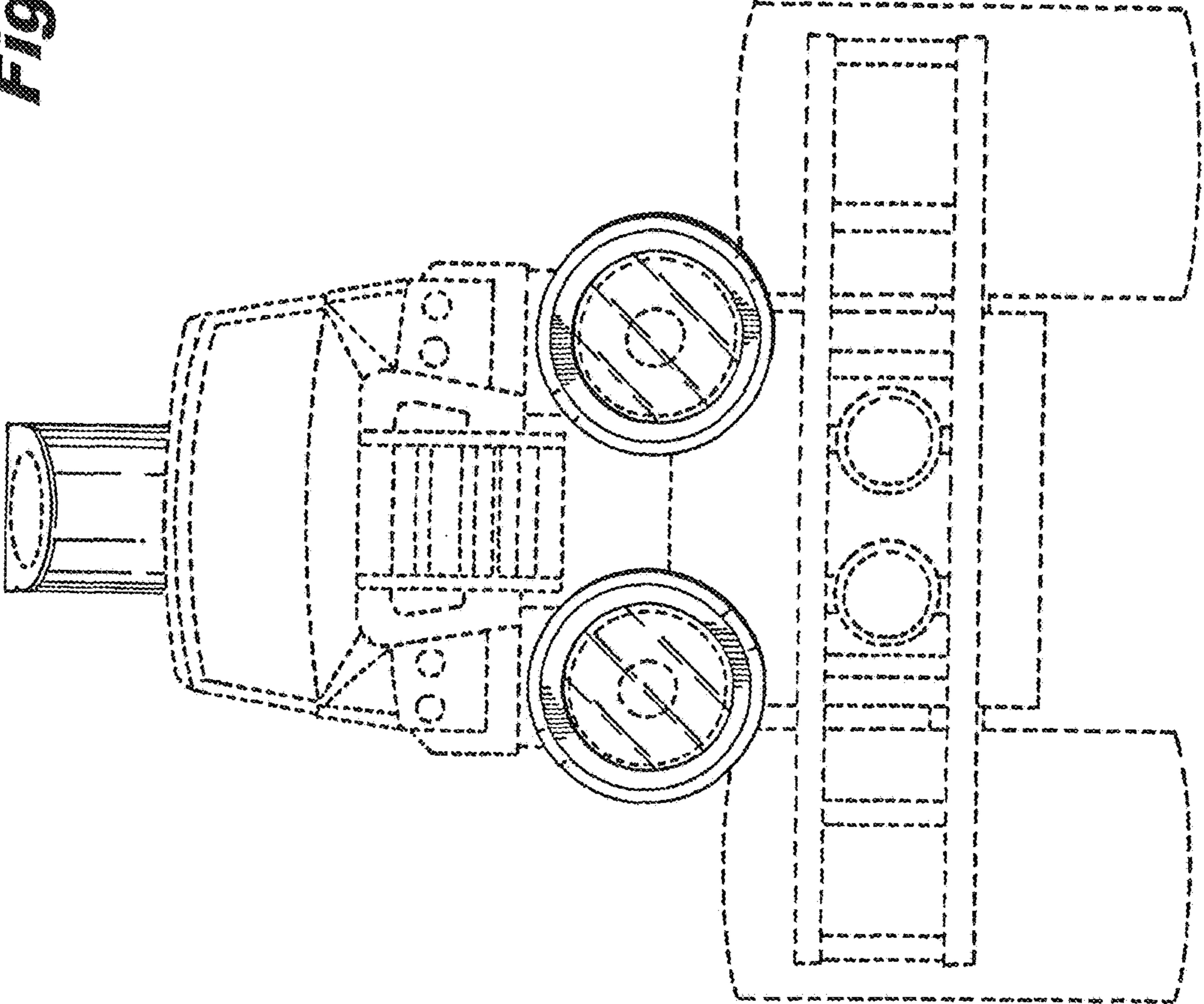


**Fig. 2**

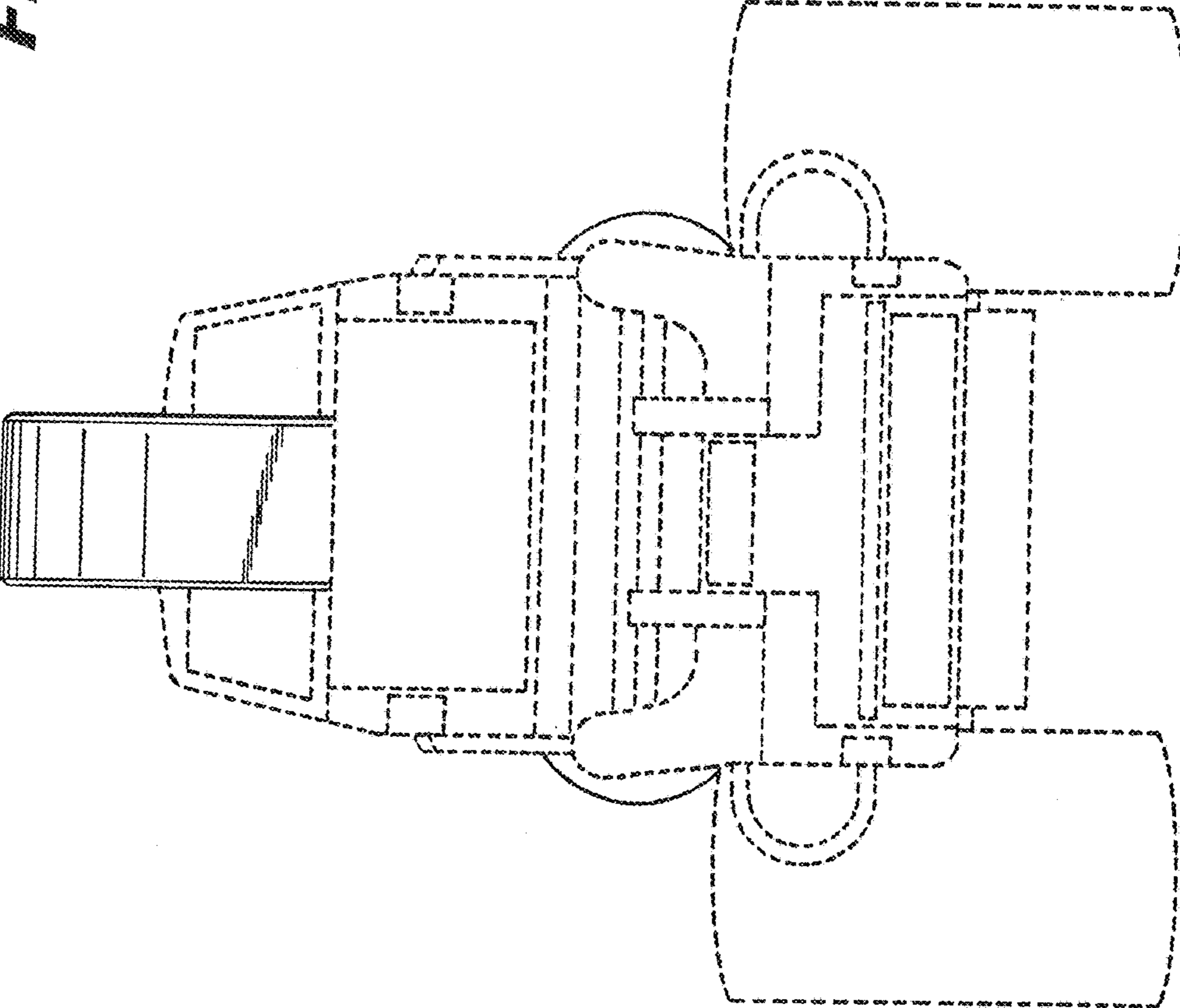
**Fig. 3**

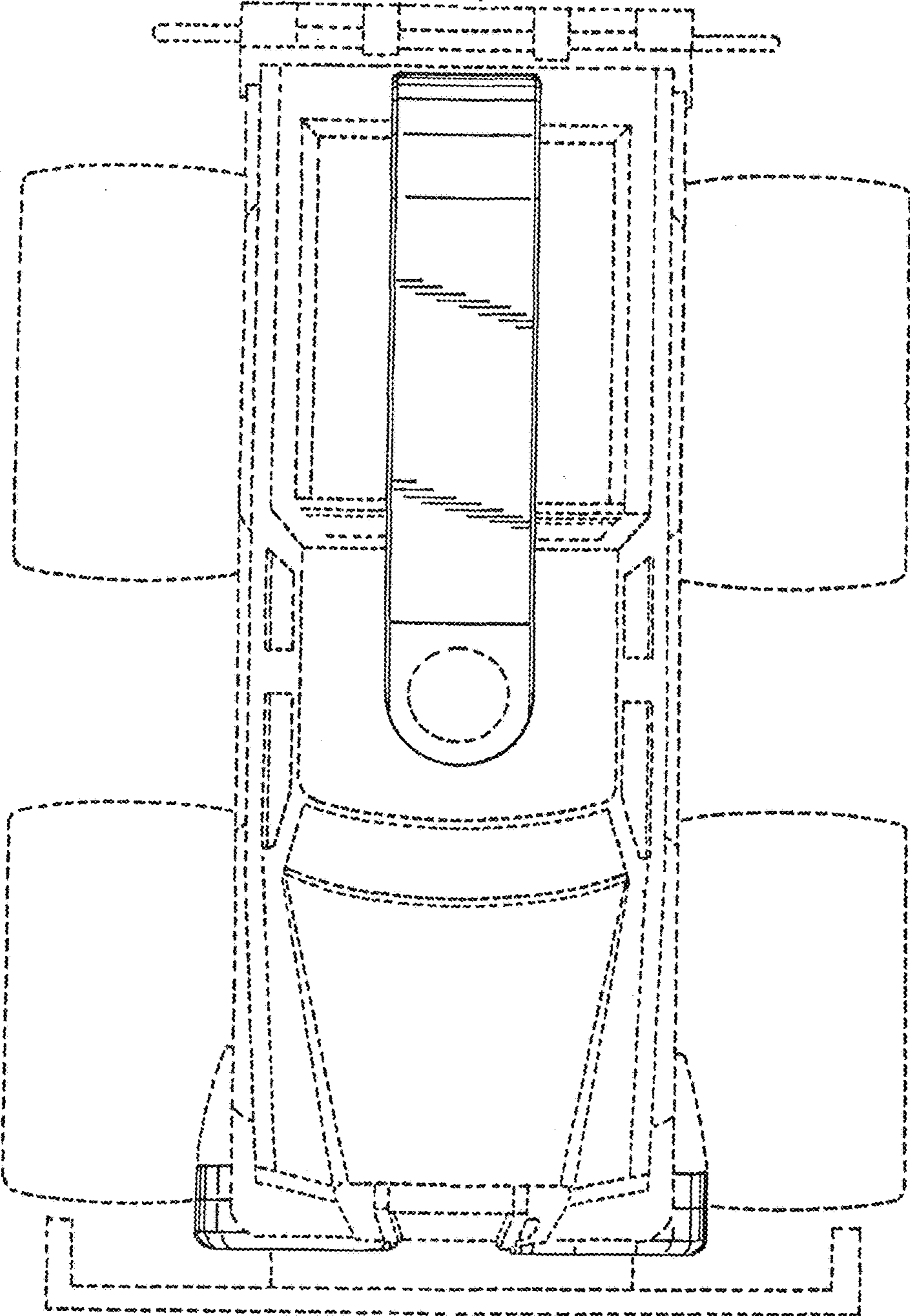


**Fig. 4**



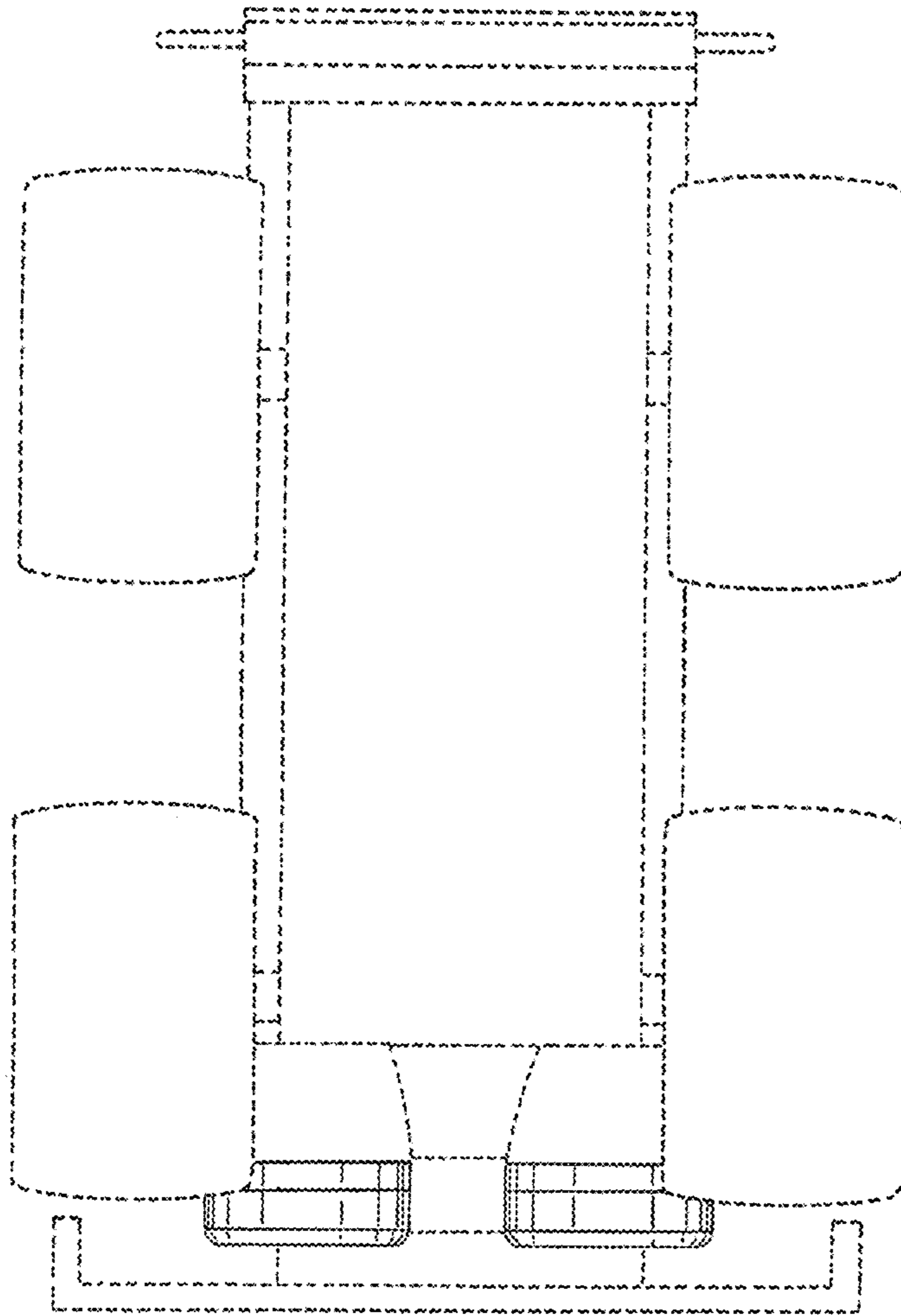
**Fig. 5**





**Fig. 6**





*Fig. 7*