



US00D809171S

(12) **United States Design Patent**
Ma

(10) **Patent No.:** **US D809,171 S**

(45) **Date of Patent:** **** *Jan. 30, 2018**

(54) **LIGHTING DEVICE**

(71) Applicant: **Energizer Brands, LLC**, St. Louis,
MO (US)

(72) Inventor: **Lai King Ma**, Fanling (HK)

(73) Assignee: **Energizer Brands, LLC**, St. Louis,
MO (US)

(*) Notice: This patent is subject to a terminal disclaimer.

(**) Term: **14 Years**

(21) Appl. No.: **29/475,442**

(22) Filed: **Dec. 3, 2013**

Related U.S. Application Data

(63) Continuation of application No. 29/457,010, filed on Jun. 6, 2013, now abandoned.

(51) **LOC (11) Cl.** **26-02**

(52) **U.S. Cl.**
USPC **D26/49**

(58) **Field of Classification Search**
USPC D26/37, 46, 49, 38; 362/157, 158, 183,
362/184, 194-196, 202-208
CPC F21L 2/00; F21L 4/00; F21L 4/005; F21L
17/00; F21L 13/08
See application file for complete search history.

(56) **References Cited**

U.S. PATENT DOCUMENTS

D308,109 S * 5/1990 Maglica D26/49
D371,214 S * 6/1996 Terry, Sr. D26/49
D413,401 S * 8/1999 McDonald D26/49
D417,022 S * 11/1999 Chiu D26/49

D419,254 S * 1/2000 Chiu D26/49
D445,926 S * 7/2001 Cheong D26/37
D455,511 S * 4/2002 Chang D26/46
D465,045 S * 10/2002 Yamamoto D26/49
D478,391 S * 8/2003 Saunders D26/49
D488,245 S * 4/2004 McDonald D26/49
D515,719 S * 2/2006 Shiu D26/37
D533,674 S * 12/2006 Julius D26/49
D535,418 S * 1/2007 Martin D26/37
D563,004 S * 2/2008 Biglarians D26/38
D563,007 S * 2/2008 Opolka D26/49
D567,416 S * 4/2008 Shiu D26/37
D572,395 S * 7/2008 Guelzow D26/49
D578,687 S * 10/2008 Hong D26/37
D593,239 S * 5/2009 Caniparoli D26/49
D593,240 S * 5/2009 Caniparoli D26/49
D659,868 S * 5/2012 Deguglimo D26/49
D685,940 S * 7/2013 Lee D26/49

* cited by examiner

Primary Examiner — Ian Simmons

Assistant Examiner — Carissa C Fitts

(74) *Attorney, Agent, or Firm* — Alston & Bird LLP

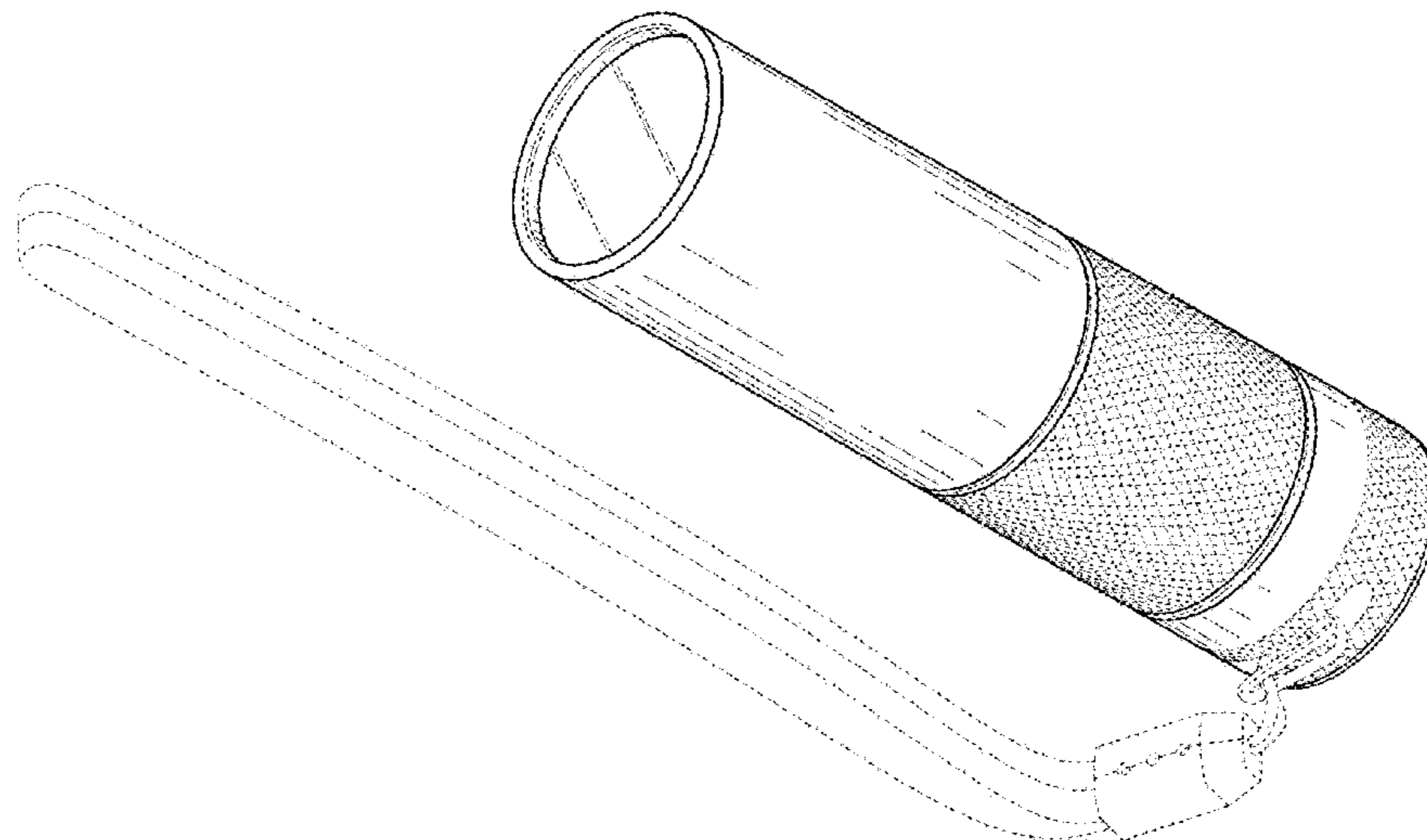
(57) **CLAIM**

I claim the ornamental design for a lighting device, as shown and described.

DESCRIPTION

FIG. 1 is a bottom perspective view of the design.
FIG. 2 is a top perspective view of the design.
FIG. 3 is a left side view of the design.
FIG. 4 is a right side view rear view of the design.
FIG. 5 is a top view of the design.
FIG. 6 is a bottom view of the design.
FIG. 7 is a front view of the design; and,
FIG. 8 is a back view of the design.
Any broken line(s) shown are for illustrative purposes only and form no part of the claimed design.

1 Claim, 4 Drawing Sheets



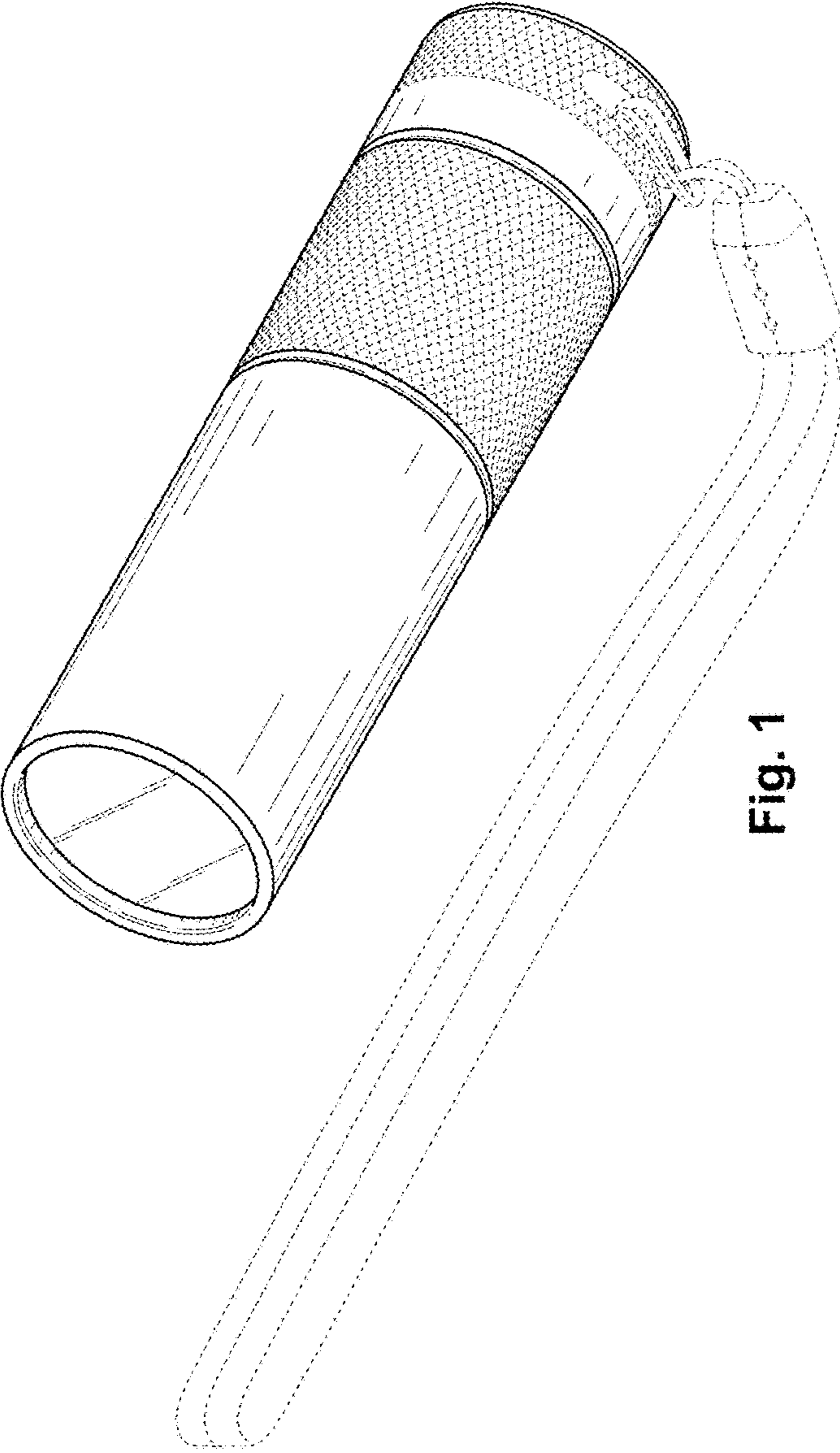


Fig. 1

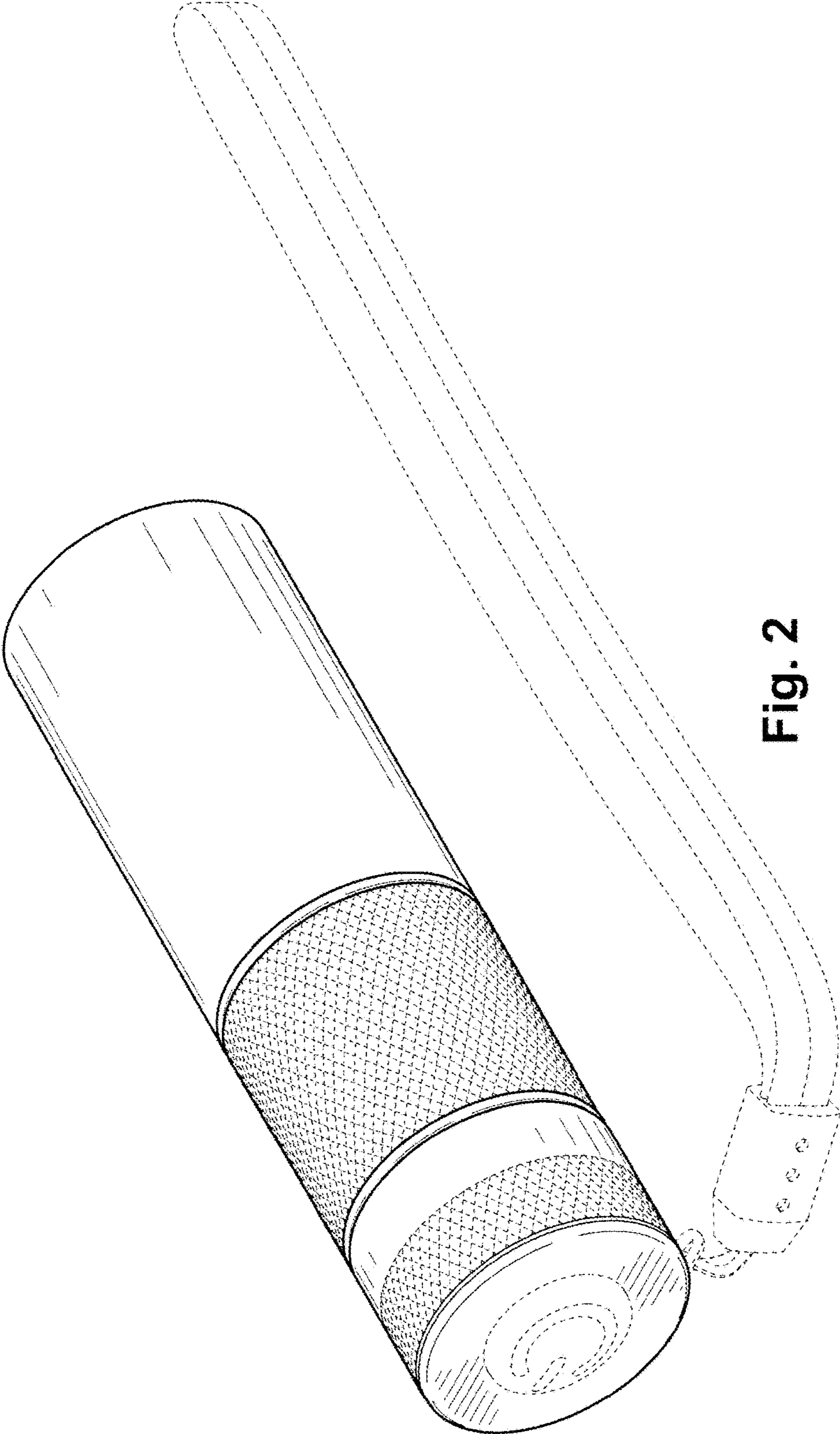


Fig. 2

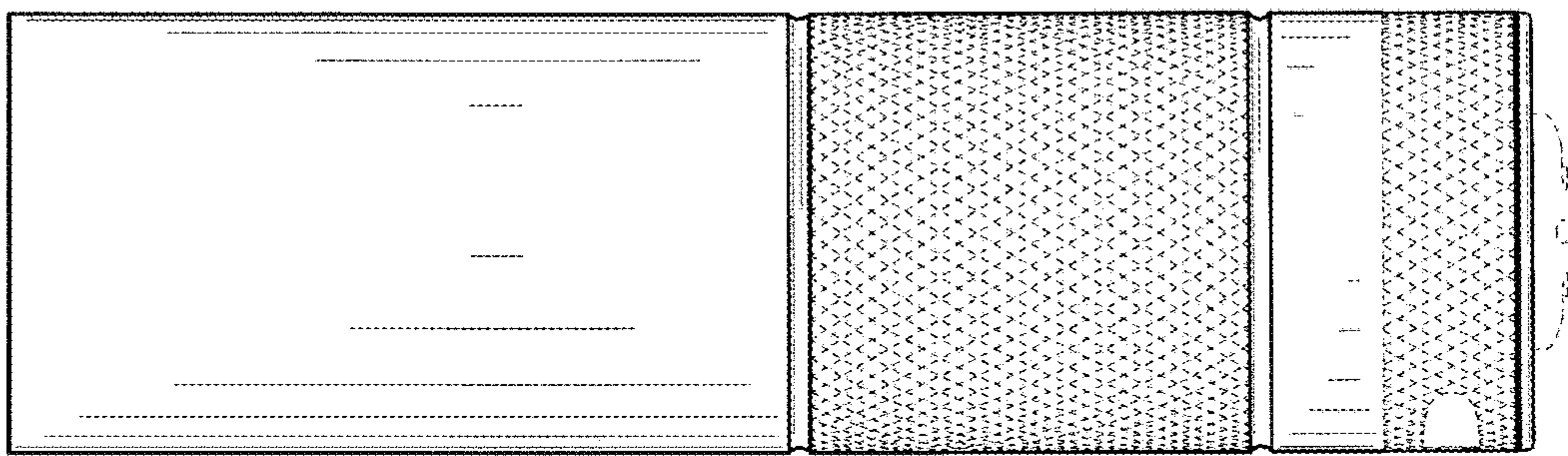


Fig. 3

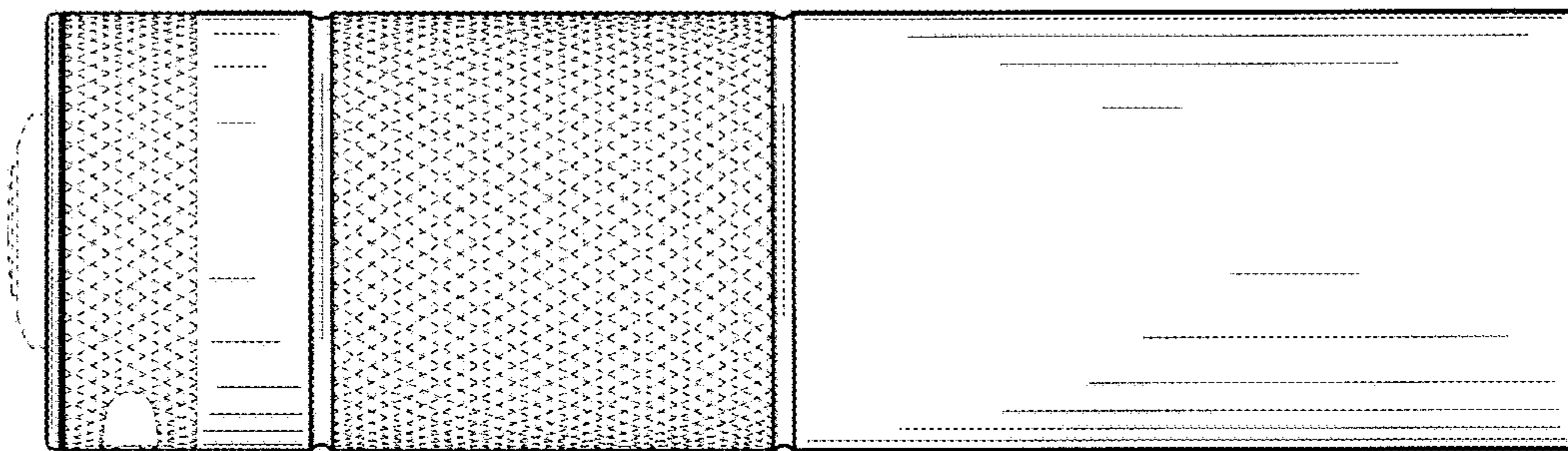


Fig. 4

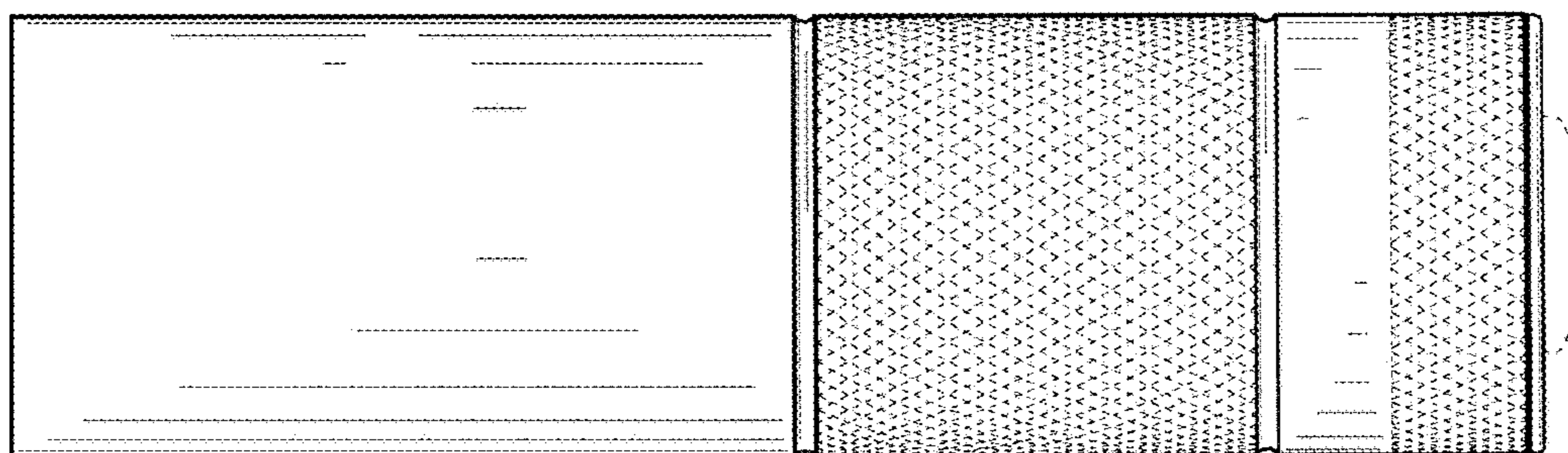


Fig. 5

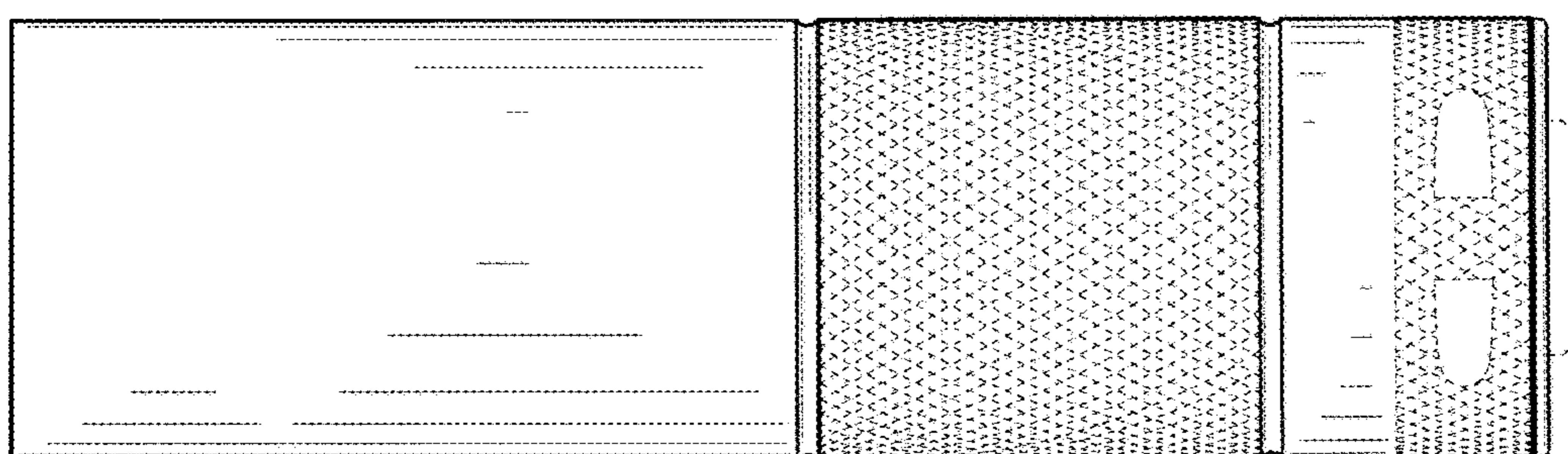


Fig. 6

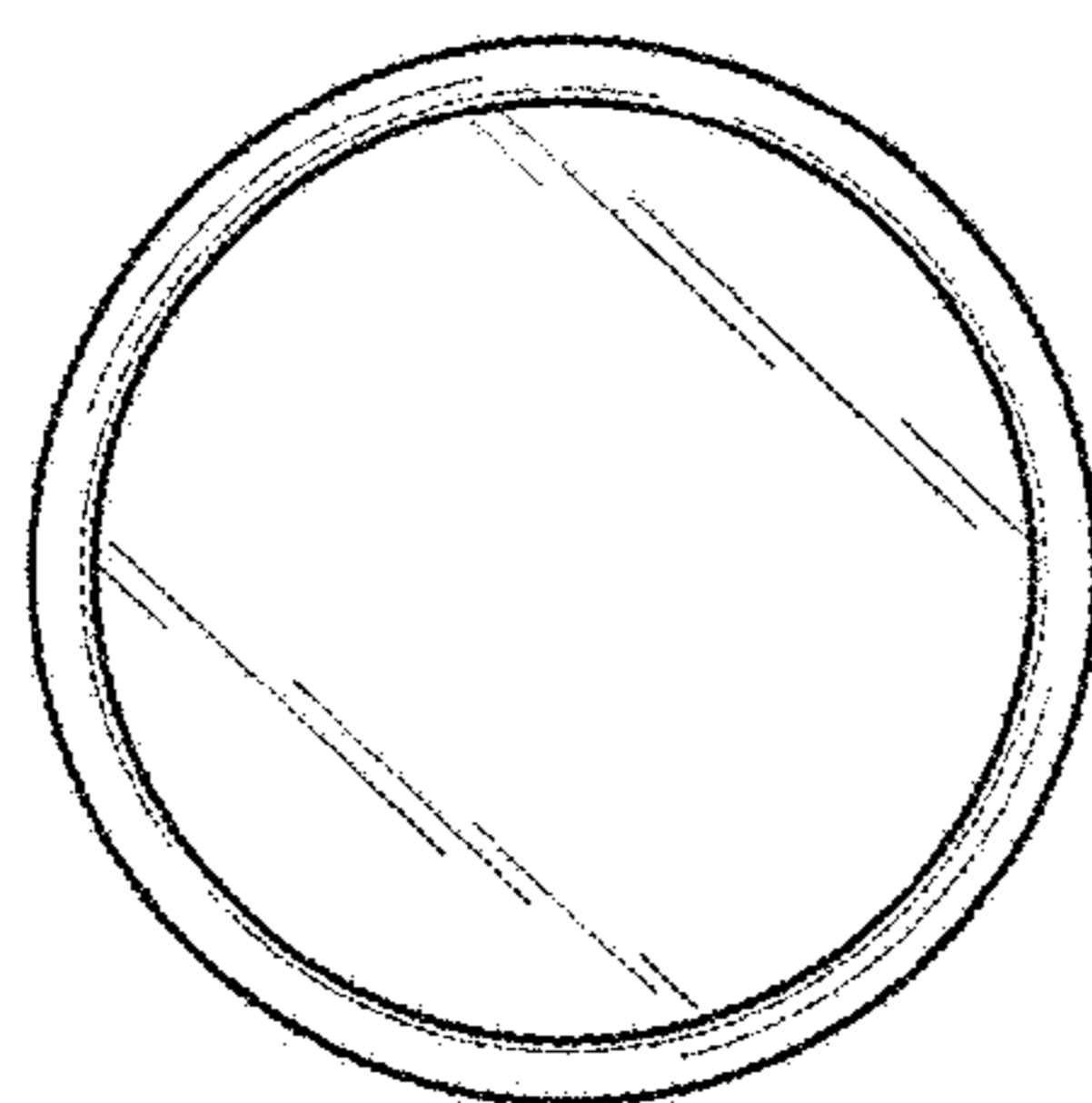


Fig. 7

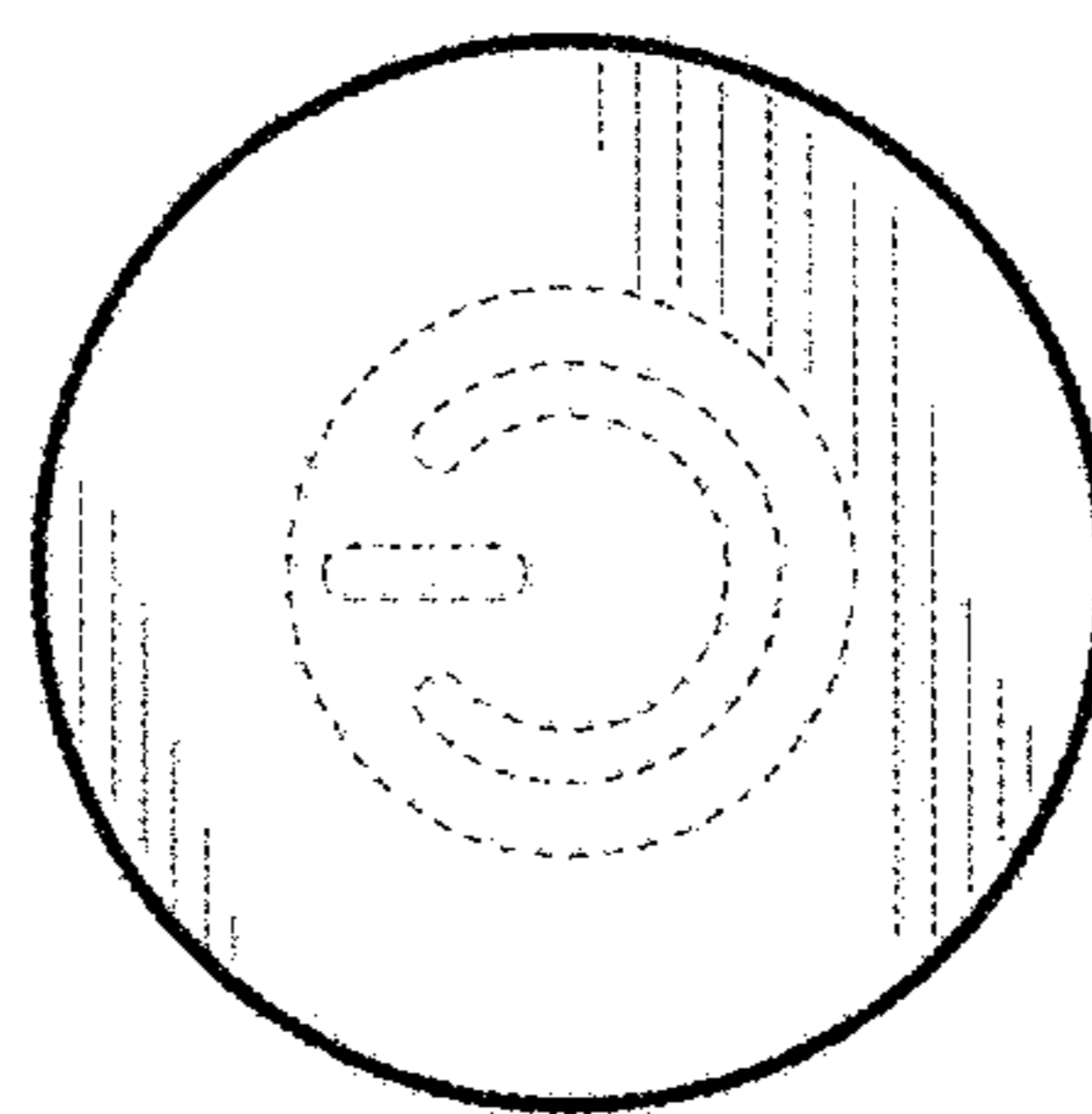


Fig. 8