



US00D809170S

(12) **United States Design Patent**
Marzynski

(10) **Patent No.:** **US D809,170 S**
(45) **Date of Patent:** **** Jan. 30, 2018**

(54) **STROBE LIGHT**

(71) Applicant: **Fluke Corporation**, Everett, WA (US)

(72) Inventor: **Matthew Marzynski**, Seattle, WA (US)

(73) Assignee: **Fluke Corporation**, Everett, WA (US)

(**) Term: **15 Years**

(21) Appl. No.: **29/551,161**

(22) Filed: **Jan. 11, 2016**

Related U.S. Application Data

(62) Division of application No. 29/406,482, filed on Nov. 15, 2011, now Pat. No. Des. 750,301.

(51) **LOC (11) Cl.** **26-02**

(52) **U.S. Cl.**
USPC **D26/45**

(58) **Field of Classification Search**
USPC D26/37, 38, 44, 42, 43, 46, 48, 49, 51
CPC F21L 2003/00; F21L 4/00; F21L 4/005;
F21L 4/02; F21L 4/025; F21L 4/027;
F21L 4/04; F21L 4/08; F21L 2005/00;
F21L 7/00; F21L 11/00; F21L 13/00;
F21L 13/04; F21L 13/08; F21L 14/02;
F21L 17/00; F21L 19/00

See application file for complete search history.

(56) **References Cited**

U.S. PATENT DOCUMENTS

2,445,304	A	7/1948	Grace	
D362,735	S	9/1995	Hirumori	
D404,840	S	1/1999	Van Deursen et al.	
D420,156	S	2/2000	Poon	
D427,346	S	6/2000	Schoen	
D427,697	S	7/2000	Brazell et al.	
D428,503	S	7/2000	Rann et al.	
D430,726	S *	9/2000	Burbrink	D26/38

D445,925	S	7/2001	Parker	
D448,876	S *	10/2001	Osiecki	D26/46
D449,395	S *	10/2001	Dalton	D26/49
6,350,040	B1	2/2002	Parker	
D461,266	S	8/2002	Cheong et al.	
D483,135	S *	12/2003	Meoli	D26/37
D492,805	S	7/2004	Woolfson	
D498,318	S *	11/2004	Yuen	D26/26
D524,957	S *	7/2006	Lobert	D26/28
D524,961	S *	7/2006	Garrity	D26/37
D536,464	S *	2/2007	Kingston	H05B 35/00
				D26/43
D552,279	S *	10/2007	Osiecki	D26/44
D564,113	S *	3/2008	Yuen	D26/42
D605,795	S	12/2009	Baker et al.	
D606,684	S	12/2009	Sokuza	
D612,962	S *	3/2010	Marville	D26/37
7,731,385	B2	6/2010	Spartano et al.	

(Continued)

Primary Examiner — Lakiya Rogers

Assistant Examiner — Carissa C Fitts

(74) *Attorney, Agent, or Firm* — Seed IP Law Group LLP

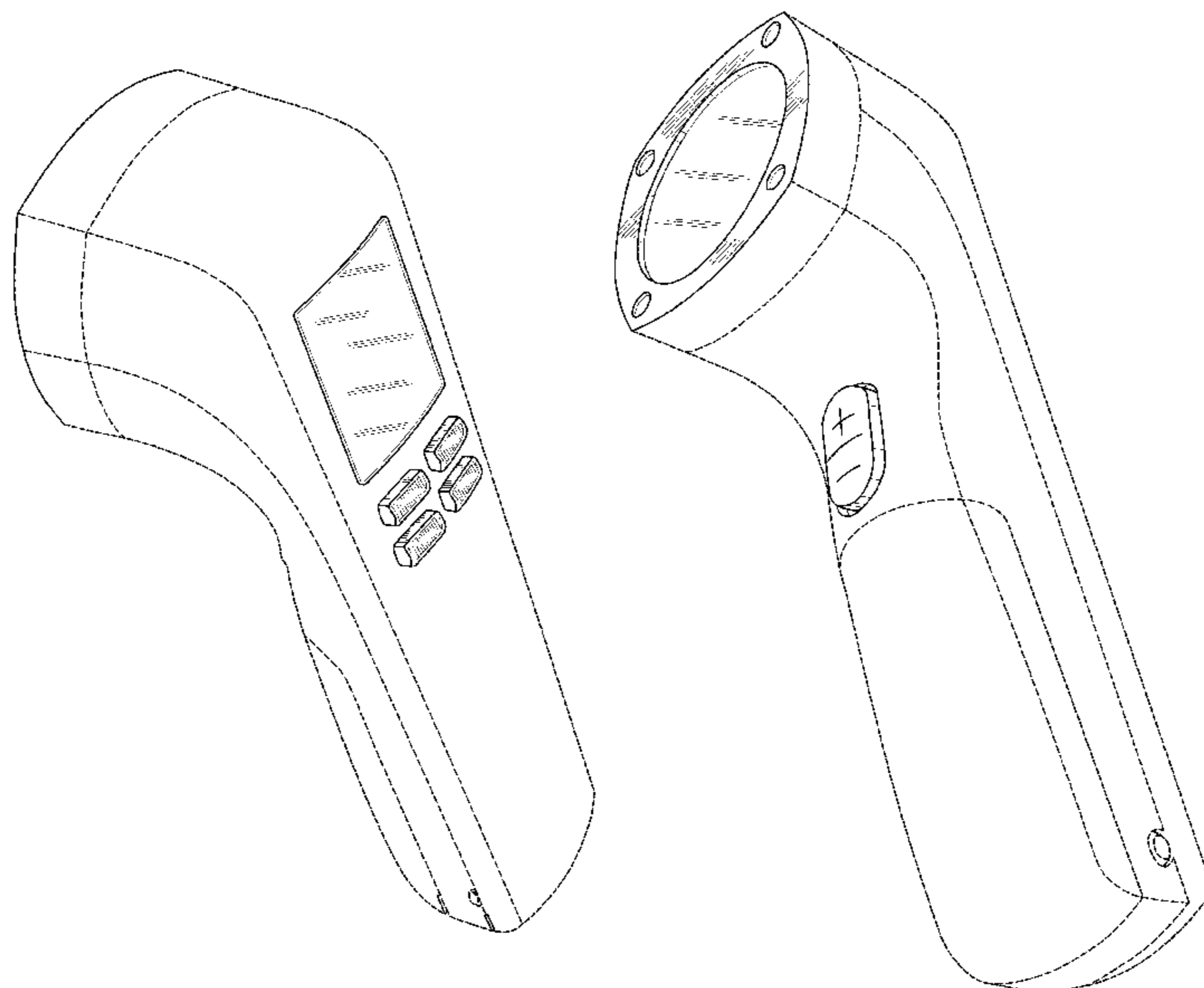
(57) **CLAIM**

The ornamental design for a strobe light, as shown and described.

DESCRIPTION

FIG. 1 is a front plan view of a strobe light.
FIG. 2 is a back view thereof.
FIG. 3 is a left side view thereof.
FIG. 4 is a right side view thereof.
FIG. 5 is a top view thereof.
FIG. 6 is a bottom view thereof.
FIG. 7 is a first perspective view thereof.
FIG. 8 is second perspective view thereof.
FIG. 9 is a third perspective view thereof; and,
FIG. 10 is a fourth perspective view thereof.
The broken line showing represents portions of the article not claimed and forms no part of the claimed design.

1 Claim, 7 Drawing Sheets



(56)

References Cited

U.S. PATENT DOCUMENTS

D623,323	S	9/2010	Kung	
D655,012	S *	2/2012	Nanda	D24/176
D681,247	S *	4/2013	Kung	D26/46
D681,858	S *	5/2013	Sharra	D26/45
D712,080	S *	8/2014	Trude	D26/37
D713,077	S *	9/2014	Hao	D26/37
D742,047	S *	10/2015	Lee	D26/37

* cited by examiner

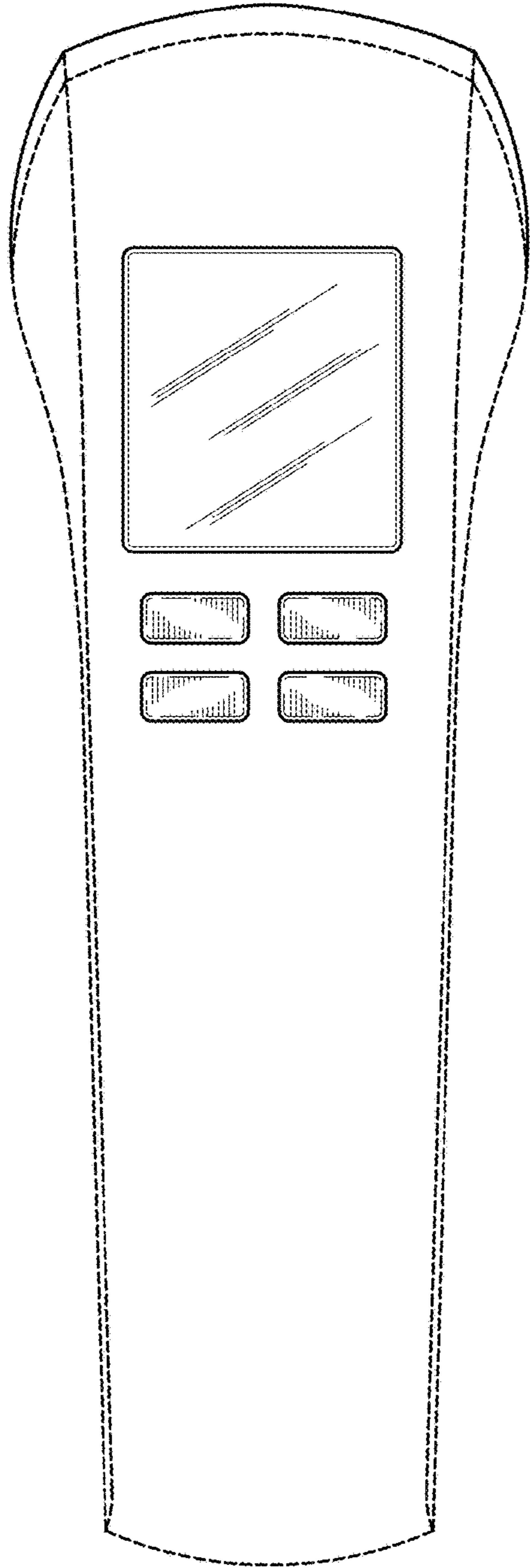


FIG. 1

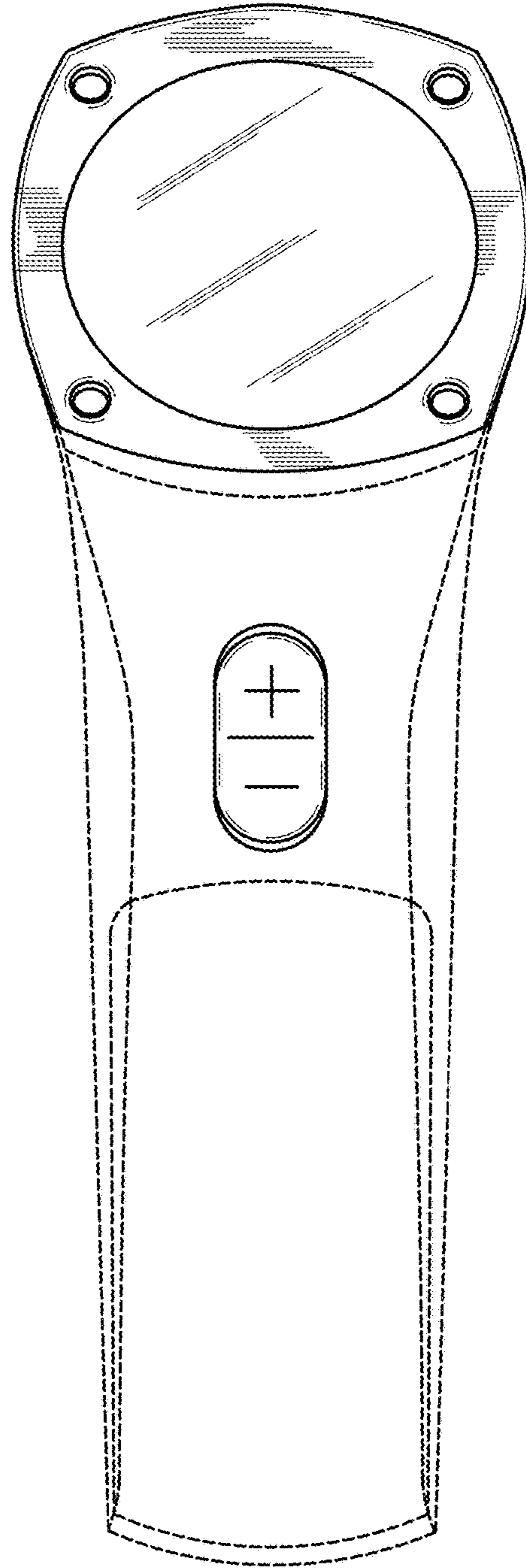


FIG. 2

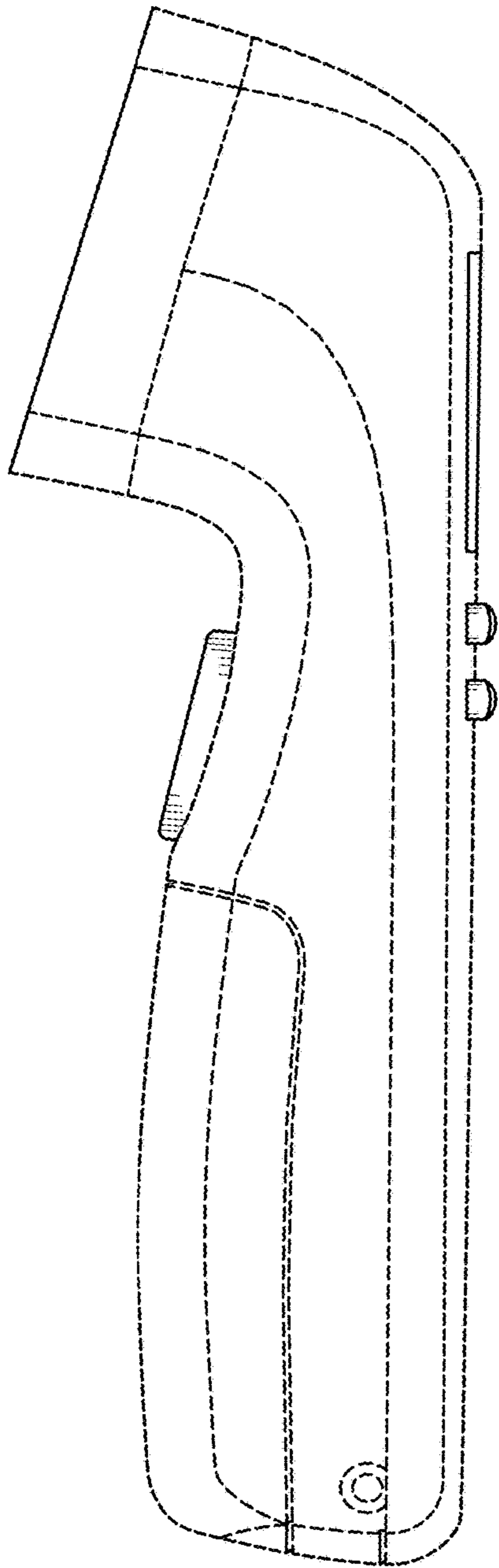


FIG. 3

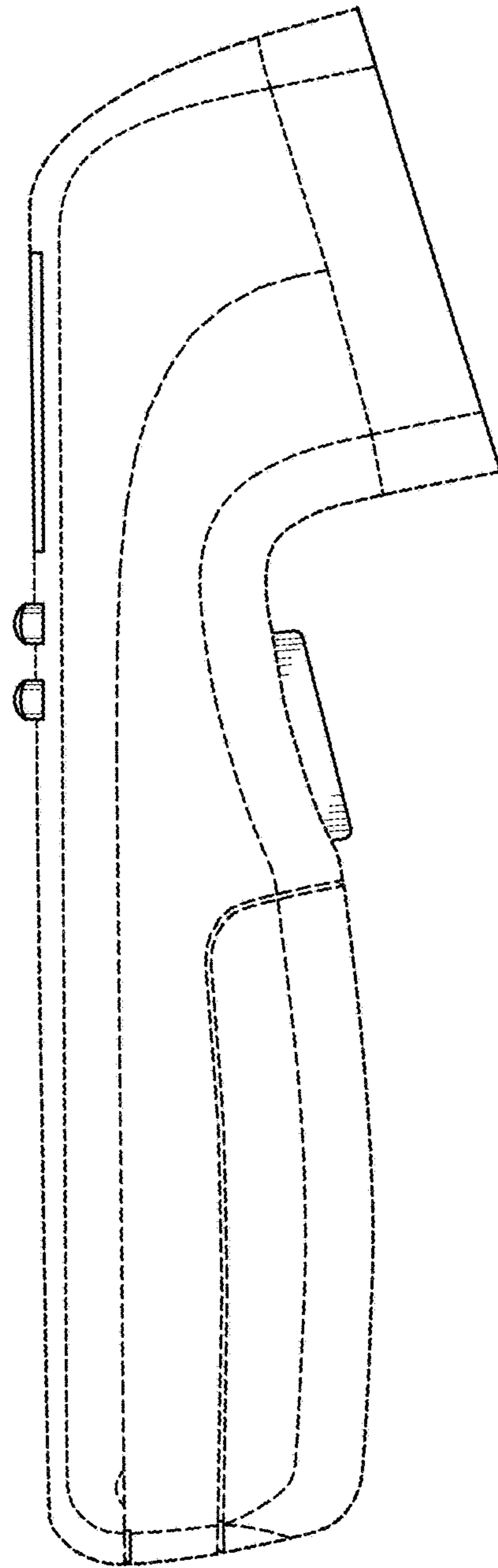


FIG. 4

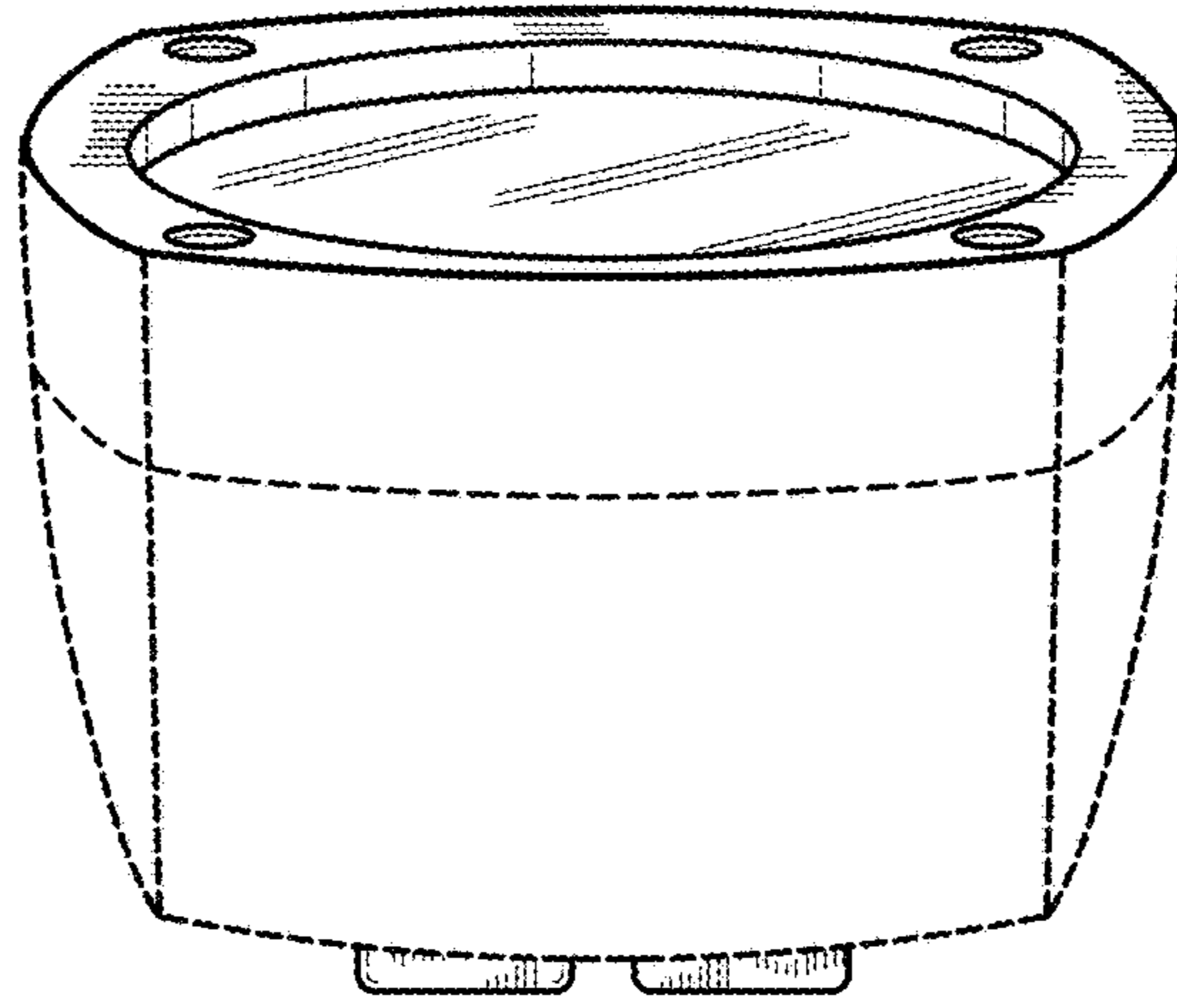


FIG. 5

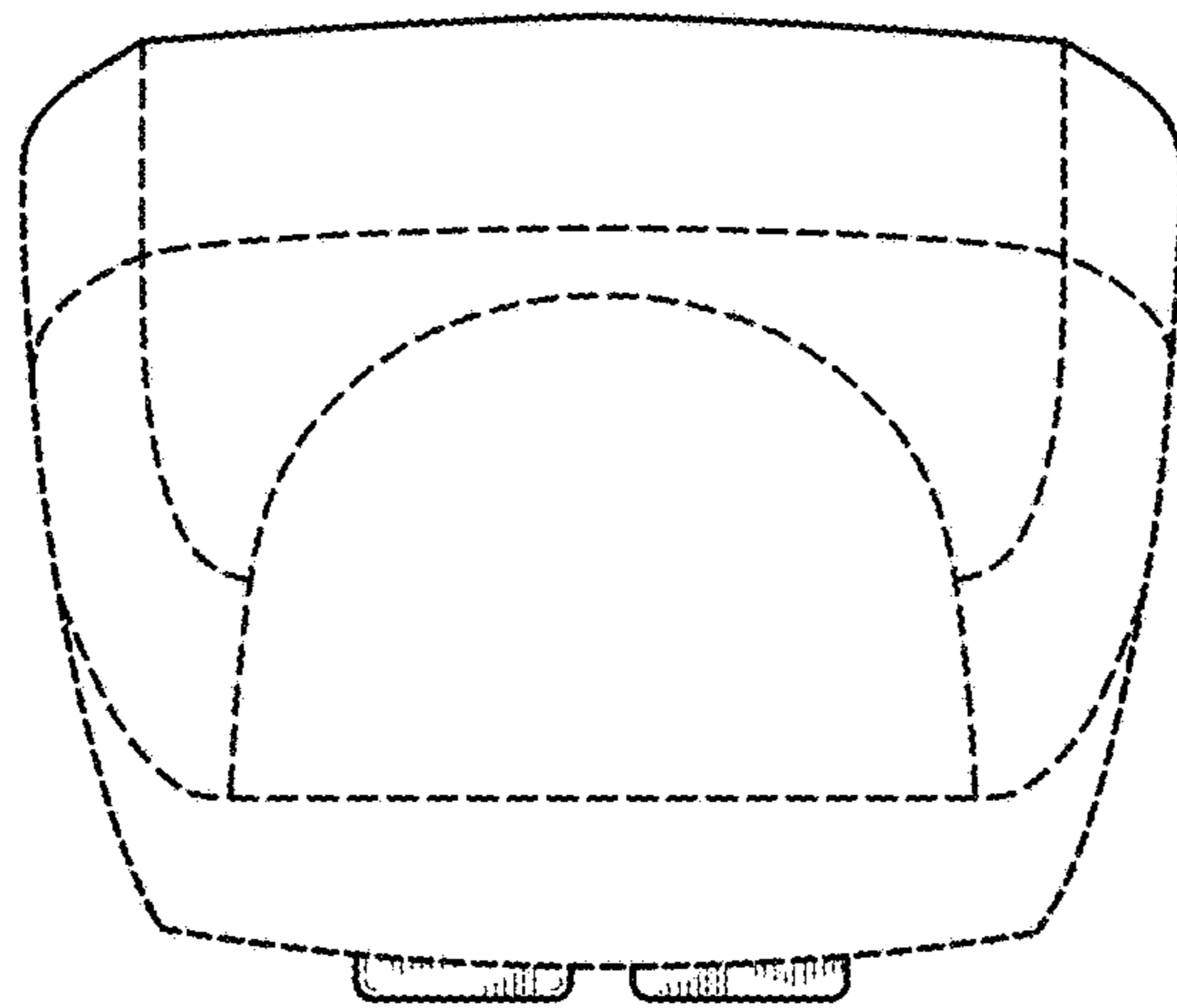


FIG. 6

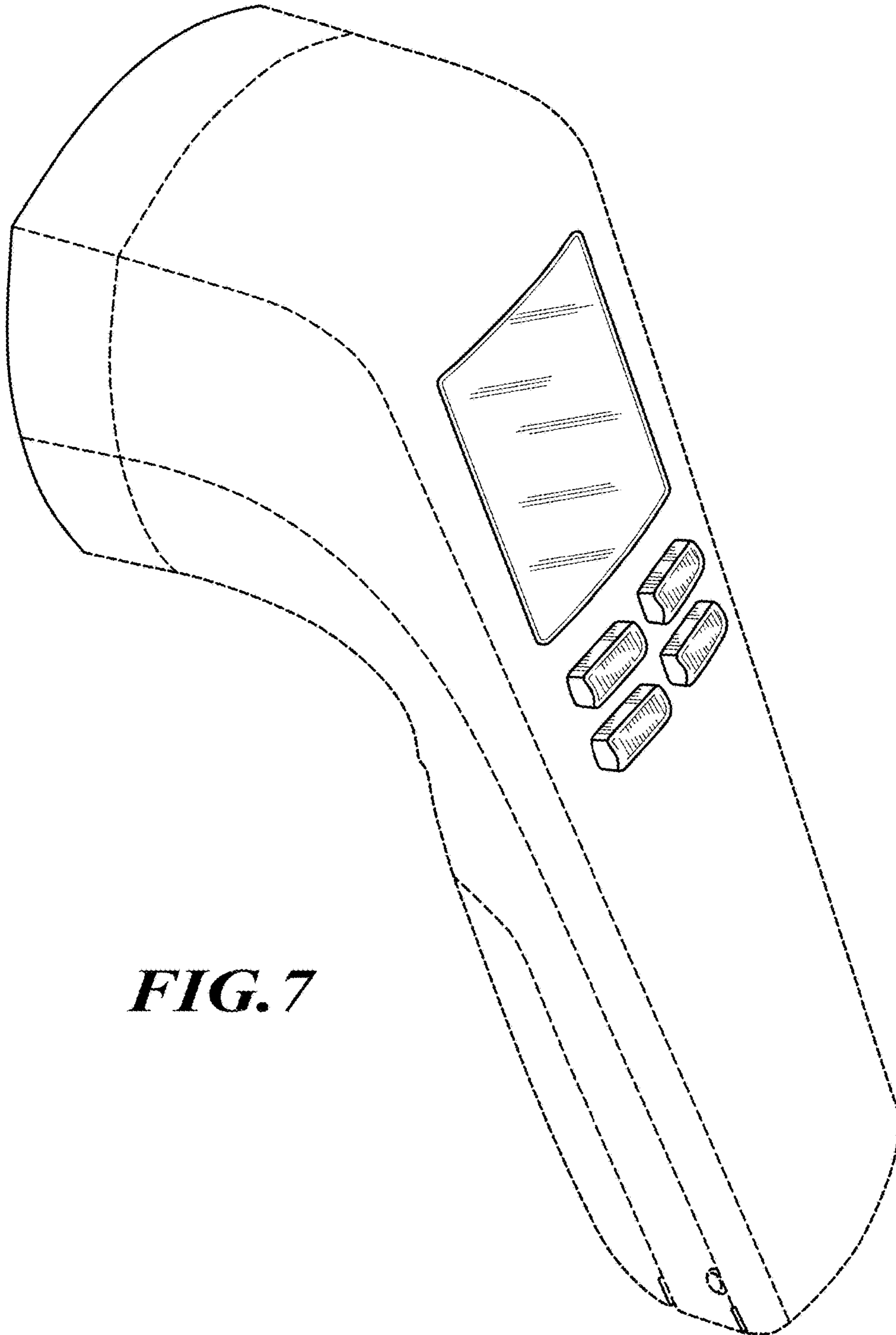


FIG. 7

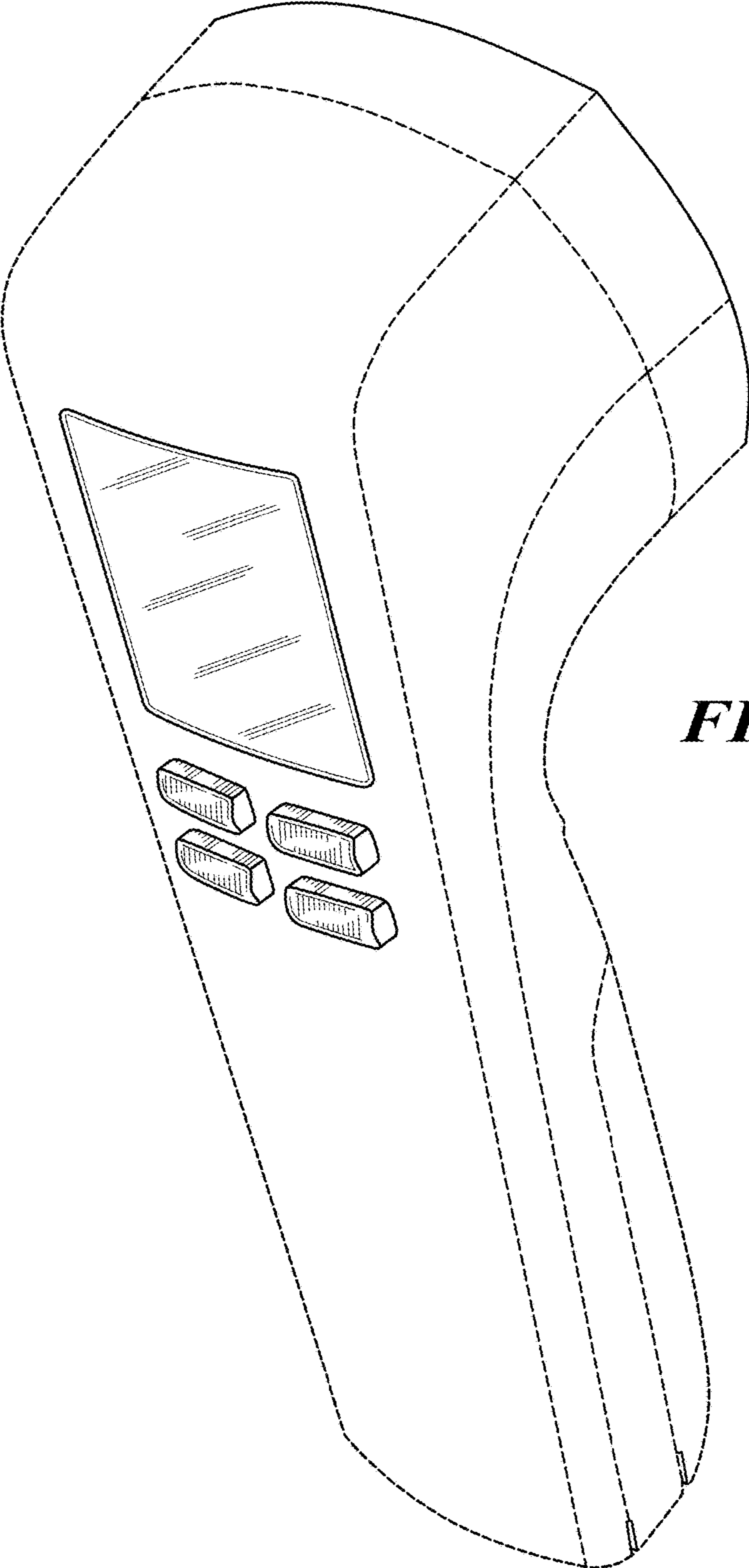


FIG. 8

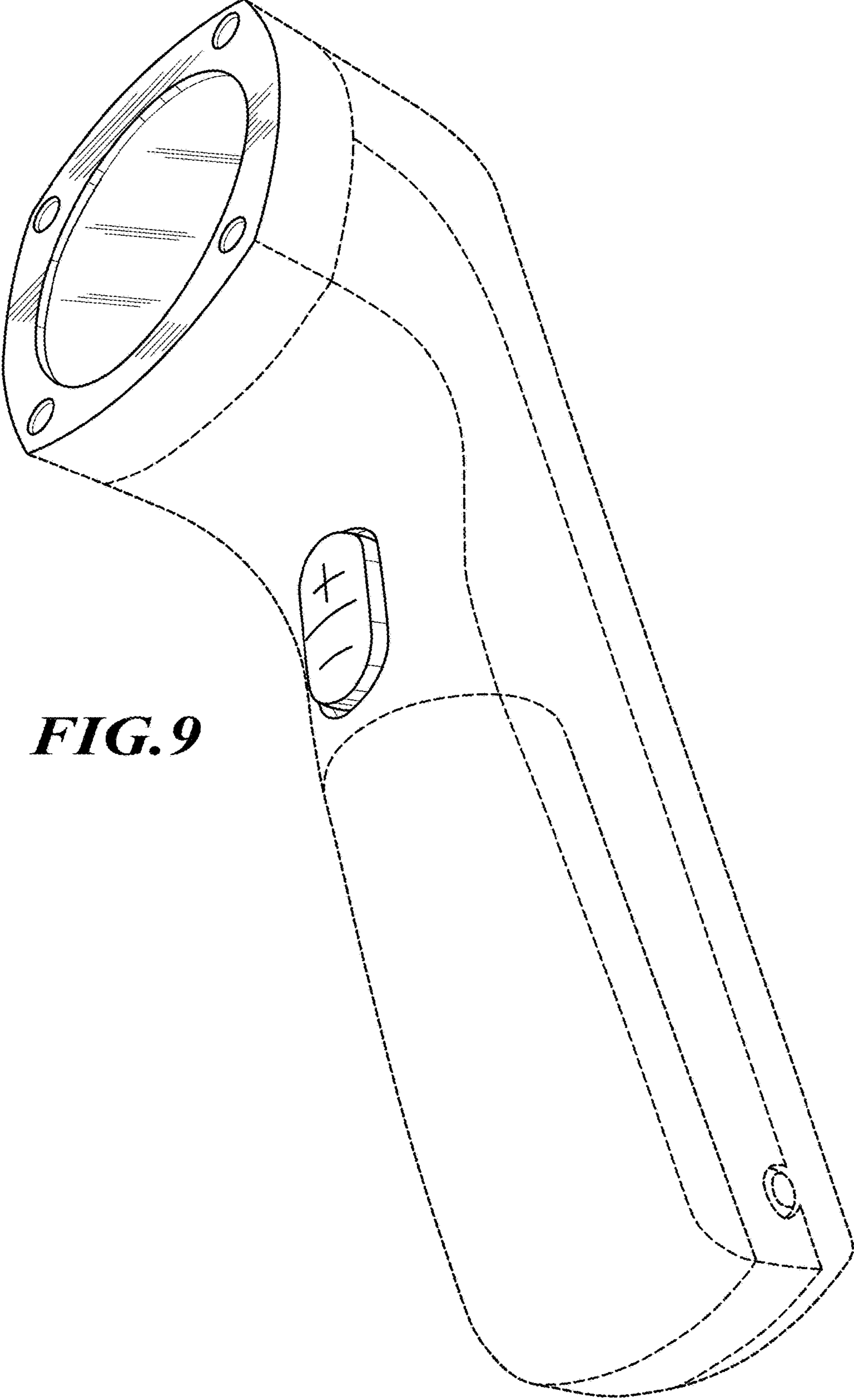


FIG. 9

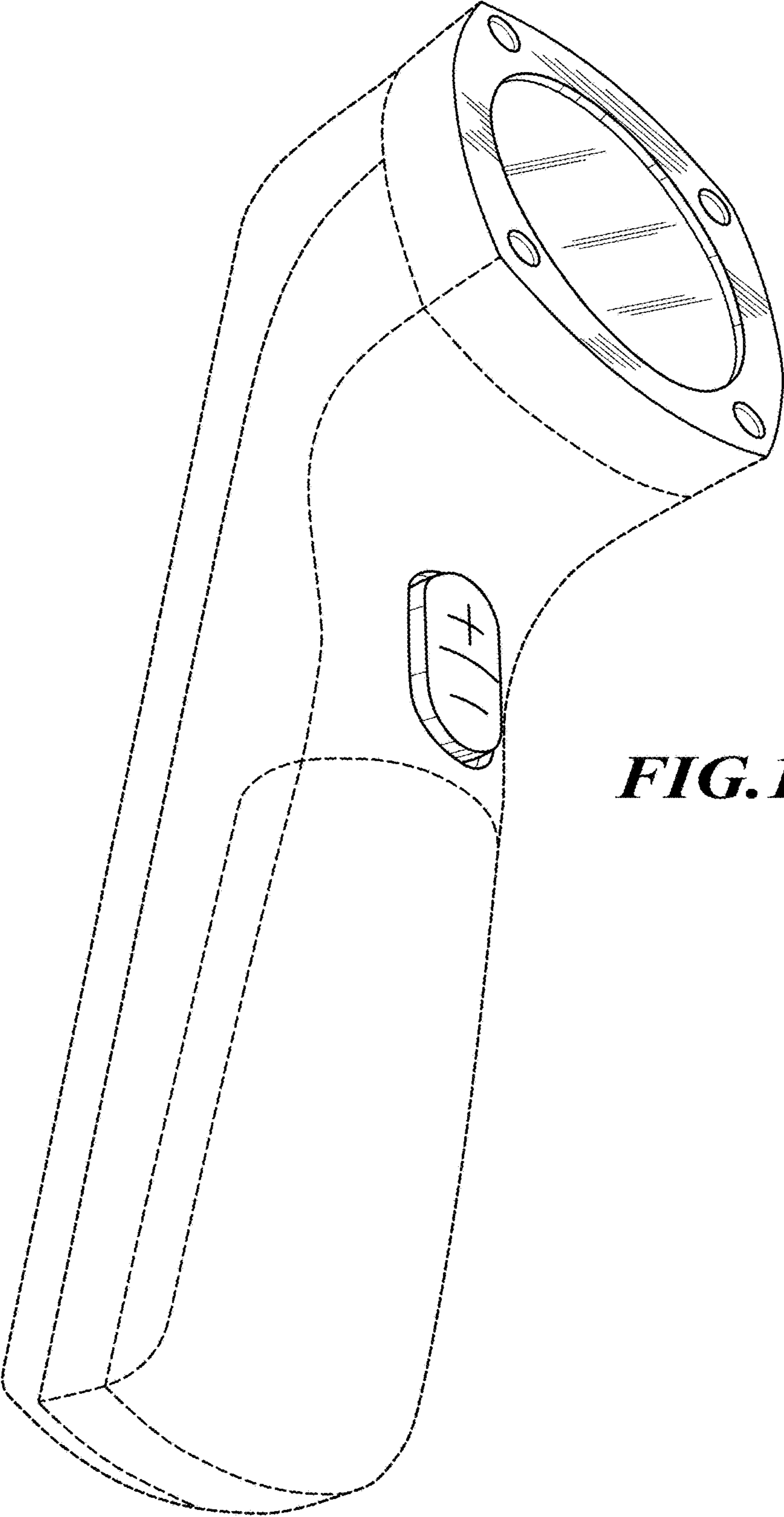


FIG. 10