



US00D809169S

(12) **United States Design Patent**
Grandadam

(10) **Patent No.:** **US D809,169 S**

(45) **Date of Patent:** **** Jan. 30, 2018**

(54) **PEN LIGHT WITH KNURLED SEGMENTS**
(71) Applicant: **Promier Products, Inc.**, Peru, IL (US)
(72) Inventor: **Cody Duane Grandadam**, Peru, IL (US)

D306,492 S * 3/1990 Sharrah D26/49
D308,109 S * 5/1990 Maglica D26/49
D308,258 S * 5/1990 Kung-Kit D26/49
4,956,755 A * 9/1990 Maglica F21L 4/005
362/206
D316,455 S 4/1991 Krol
(Continued)

(73) Assignee: **Promier Products, Inc.**, Peru, IL (US)

(**) Term: **15 Years**

(21) Appl. No.: **29/563,984**

(22) Filed: **May 10, 2016**

(51) **LOC (11) Cl.** **26-02**

(52) **U.S. Cl.**
USPC **D26/38; D26/42; D26/49**

(58) **Field of Classification Search**
USPC D26/1, 2, 4, 5, 6, 22, 36, 40, 41, 42, 46,
D26/49, 50, 51, 67, 71, 74, 76, 91, 96,
D26/122, 123, 124, 130, 148, 149;
362/18, 23.07, 33, 188, 301, 612, 555;
320/110; D13/180; 340/321; D6/332,
D6/641, 643, 714

CPC F21V 33/00; F21V 14/025; F21V 21/406;
F21L 13/08; F21L 17/00; F21Y 2101/02
See application file for complete search history.

(56) **References Cited**

U.S. PATENT DOCUMENTS

1,606,219 A 11/1926 Havens
D241,972 S 10/1976 Nau
D252,170 S * 6/1979 Simmons D26/49
4,399,498 A 8/1983 Bacevius
4,533,982 A 8/1985 Kozar
4,581,686 A * 4/1986 Nelson F21L 15/06
362/186
4,623,957 A 11/1986 Moore et al.
4,654,764 A 3/1987 Hsiao
4,841,417 A * 6/1989 Maglica F21L 4/005
362/187

OTHER PUBLICATIONS

E-Z RED, website, Jan. 9, 2010, <https://web.archive.org/web/20100109050858/http://www.ezred.com/>.
(Continued)

Primary Examiner — Ian Simmons
Assistant Examiner — Altaira J Swangin
(74) *Attorney, Agent, or Firm* — McDermott Will & Emery LLP

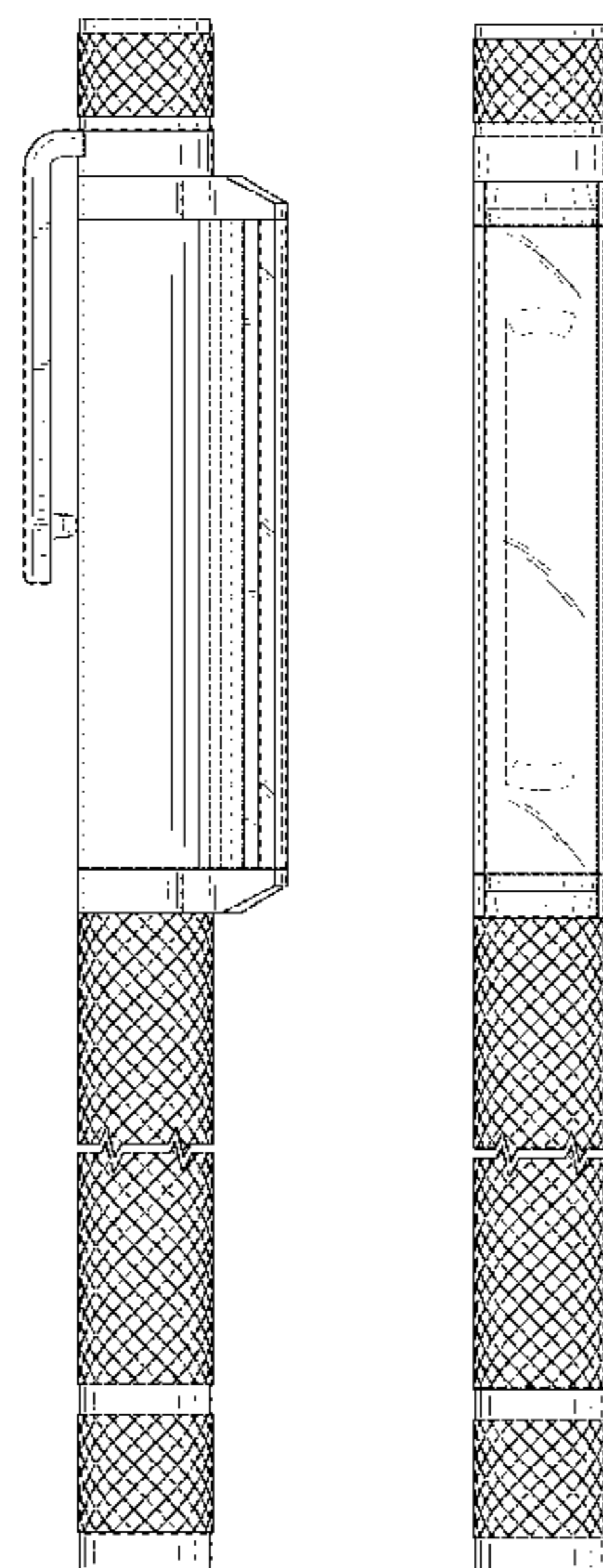
(57) **CLAIM**

I claim the ornamental design for a pen light with knurled segments, as shown and described.

DESCRIPTION

FIG. 1 is a top perspective view of a pen light with knurled segments according to a new design.
FIG. 2 is a right side view of the pen light shown in FIG. 1.
FIG. 3 is a left side view of the pen light shown in FIG. 1.
FIG. 4 is a front view of the pen light shown in FIG. 1.
FIG. 5 is a rear view of the pen light shown in FIG. 1.
FIG. 6 is a top view of the pen light shown in FIG. 1; and, FIG. 7 is a bottom view of the pen light shown in FIG. 1.
Features shown in broken lines in the drawings represent unclaimed portions of the design. The use of a separation break within a lower handle portion of the pen light in FIGS. 1-7 indicates that any portion of the article between the break lines not shown forms no part of the claimed design.

1 Claim, 3 Drawing Sheets



(56)

References Cited

U.S. PATENT DOCUMENTS

D323,717 S	2/1992	Fung		D548,837 S *	8/2007	Oikawa	D24/158
D324,110 S	2/1992	Yuen		D554,783 S	11/2007	Shiu	
5,101,333 A	3/1992	Glassford		D556,926 S	12/2007	Thirouin	
5,158,358 A *	10/1992	Maglica	F21L 4/005	7,318,657 B2	1/2008	Booty, Jr.	
			200/60	D563,007 S *	2/2008	Opolka	D26/49
D349,776 S	8/1994	Yuen		7,325,944 B2	2/2008	Kovacik et al.	
5,400,227 A *	3/1995	Maglica	F21L 4/005	7,334,918 B2	2/2008	Newton et al.	
			362/188	D567,977 S	4/2008	Jianwei	
5,404,670 A *	4/1995	Noll	A01K 97/06	7,390,105 B2	6/2008	Nelson et al.	
			242/405.1	D572,656 S *	7/2008	Schein	D13/108
5,442,380 A *	8/1995	McCormick	B43K 29/08	7,410,272 B2	8/2008	Halasz	
			346/14 MR	D578,236 S	10/2008	Dalton	
5,448,463 A	9/1995	Leen		D581,568 S *	11/2008	Bertken	D26/38
D371,214 S *	6/1996	Terry, Sr.	D26/49	7,481,554 B2	1/2009	Anderson et al.	
D376,865 S	12/1996	Chan		7,513,662 B2	4/2009	Parker et al.	
D378,434 S	3/1997	Petterson et al.		7,517,107 B2	4/2009	Dallas et al.	
D397,478 S	8/1998	Booty, Jr.		D593,239 S *	5/2009	Caniparoli	D26/49
D404,839 S	1/1999	Petterson et al.		D593,240 S *	5/2009	Caniparoli	D26/49
D410,557 S	6/1999	Petterson et al.		D593,695 S	6/2009	Levine	
5,993,022 A	11/1999	Neyer et al.		7,540,623 B2	6/2009	Petzl et al.	
6,000,809 A *	12/1999	Belo	B43K 29/10	7,572,024 B2	8/2009	Ko et al.	
			362/118	D605,795 S	12/2009	Baker et al.	
D428,175 S	7/2000	Lynch et al.		D612,969 S	3/2010	Schoch et al.	
D430,321 S *	8/2000	Sharrah	D26/37	D615,226 S	5/2010	Levine	
6,176,592 B1	1/2001	Kovacik et al.		7,717,586 B2	5/2010	Tucker	
D445,932 S	7/2001	Ceder		D620,627 S	7/2010	Kovacik et al.	
6,280,046 B1 *	8/2001	Perez	A45C 11/321	D625,860 S	10/2010	Bertken	
			362/109	7,850,329 B2	12/2010	Henry et al.	
D450,873 S *	11/2001	Opolka	D19/173	8,025,420 B2	9/2011	Henry et al.	
D455,511 S *	4/2002	Chang	D26/46	8,038,324 B2	10/2011	Chen	
6,366,028 B1	4/2002	Wener et al.		D649,275 S	11/2011	Crawford	
D462,802 S	9/2002	Kovacik et al.		D655,027 S	2/2012	Milz	
6,457,841 B1	10/2002	Lynch et al.		D656,646 S	3/2012	Kawase et al.	
D467,375 S	12/2002	Lynch et al.		D656,647 S	3/2012	Hodgson	
6,575,587 B2	6/2003	Cramer et al.		D658,322 S *	4/2012	Wu	D26/37
6,585,400 B2	7/2003	Leen		8,152,329 B2	4/2012	Liao	
D495,442 S *	8/2004	Packard	D26/37	D668,806 S *	10/2012	Chapman	D26/49
D495,815 S *	9/2004	Saunders	D26/37	8,348,454 B2	1/2013	Henry et al.	
D496,483 S	9/2004	Christianson		D676,170 S *	2/2013	Feng	D26/38
6,802,623 B1	10/2004	Hsu et al.		8,414,142 B2	4/2013	Tucker et al.	
D498,551 S	11/2004	Chan		D681,858 S	5/2013	Sharrah	
D501,055 S *	1/2005	Packard	D26/37	8,628,210 B2	1/2014	Tucker et al.	
6,857,756 B2	2/2005	Reiff et al.		D703,356 S	4/2014	Grandadam	
D504,529 S *	4/2005	Vickers	D26/37	8,690,378 B2 *	4/2014	Choo	F21L 4/005
D504,530 S *	4/2005	Shiu	D26/37				362/187
D505,217 S	5/2005	Bayat et al.		D729,963 S *	5/2015	Windom	D26/38
6,893,143 B2	5/2005	Opolka		D736,975 S *	8/2015	Tang	D22/117
6,905,223 B2	6/2005	Halasz		D737,488 S	8/2015	Chen	
6,913,370 B2	7/2005	Ping		D739,063 S	9/2015	Su	
D509,008 S *	8/2005	Shiu	D26/37	D742,568 S	11/2015	Abernethy	
6,979,098 B2	12/2005	Petzl et al.		D745,987 S	12/2015	Nawaz	
7,011,423 B2	3/2006	Chen		D752,792 S *	3/2016	Grandadam	D26/42
D521,166 S *	5/2006	Yamamoto	D26/37	D754,899 S *	4/2016	Cooper	D26/44
7,040,783 B1	5/2006	Christianson		D760,927 S *	7/2016	Bao	D26/24
D523,839 S	6/2006	Li		D760,928 S *	7/2016	Bao	D26/24
D523,981 S *	6/2006	Galli	D26/37	D770,071 S *	10/2016	Windom	D26/49
D524,474 S	7/2006	Lo et al.		D798,482 S *	9/2017	O'Doherty	D26/49
D526,077 S *	8/2006	Leen	D26/42	2003/0095408 A1	5/2003	Opolka	
D527,129 S	8/2006	Hodgson		2004/0246726 A1	12/2004	Opolka	
7,083,298 B2	8/2006	Pritchard et al.		2005/0152137 A1	7/2005	Opolka	
7,108,403 B1	9/2006	Walters et al.		2005/0265035 A1	12/2005	Brass et al.	
7,111,965 B2	9/2006	Hsu		2006/0262526 A1	11/2006	Dubois	
D530,843 S	10/2006	Yamamoto		2007/0216980 A1	9/2007	Shirakura et al.	
D532,131 S	11/2006	Thuma et al.		2007/0250117 A1 *	10/2007	Kwong	A61B 5/1104
7,172,310 B2	2/2007	Hsu					606/219
7,175,303 B2	2/2007	Kovacik et al.		2008/0055888 A1	3/2008	Sharrah et al.	
7,175,318 B2	2/2007	Booty, Jr.		2008/0174991 A1	7/2008	Tucker	
D538,456 S	3/2007	Trigiani et al.		2009/0122562 A1	5/2009	Lee	
D541,962 S	5/2007	Bayat		2009/0147519 A1	6/2009	Klipstein et al.	
D541,965 S	5/2007	Shiu		2009/0154161 A1	6/2009	Parker et al.	
D542,450 S	5/2007	Shiu		2009/0290335 A1	11/2009	Levine	
7,220,012 B2	5/2007	Liu		2009/0323344 A1	12/2009	Crawford et al.	
7,222,996 B2	5/2007	Lin		2010/0008082 A1	1/2010	Brass et al.	
7,241,024 B2	7/2007	Kindberg					

(56)

References Cited

U.S. PATENT DOCUMENTS

2010/0254122 A1 10/2010 Bayat et al.
2011/0096537 A1 4/2011 Steele et al.

OTHER PUBLICATIONS

E-Z RED, website, Mar. 26, 2010, https://web.archive.org/web/20100326143017/http://www.ezred.com/Product_Pages/PCLED6.htm.

Amazon.com, website, Aug. 1, 2016, https://www.amazon.com/E-Z-Red-PCLED6-Pocket-Light/dp/B002Z36V6M/ref=sr_1_13?s.

Too1Topia.com, website, Mar. 29, 2010, <https://web.archive.org/web/20100329150711/http://www.too1topia.com/e-z-red-pcled6.aspx>.

* cited by examiner

FIG. 1

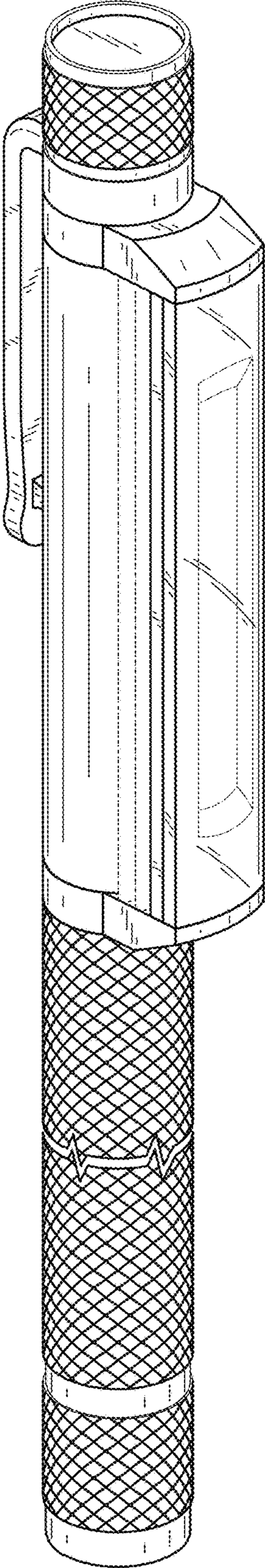


FIG. 2

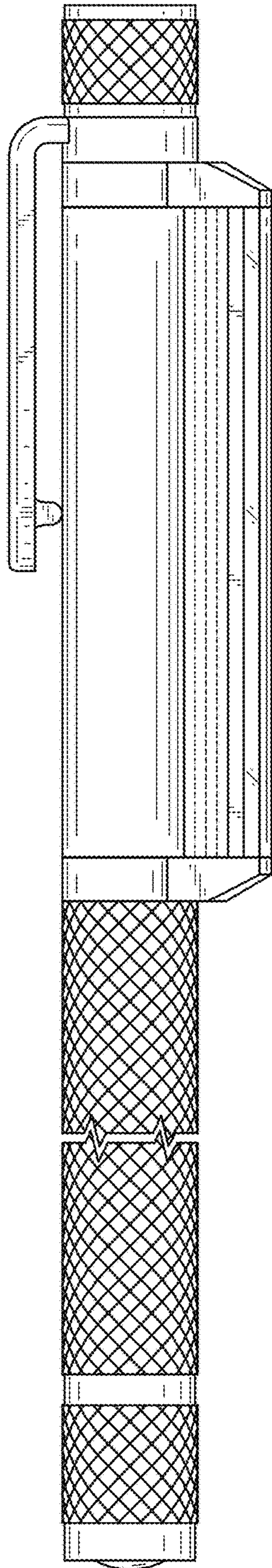


FIG. 3

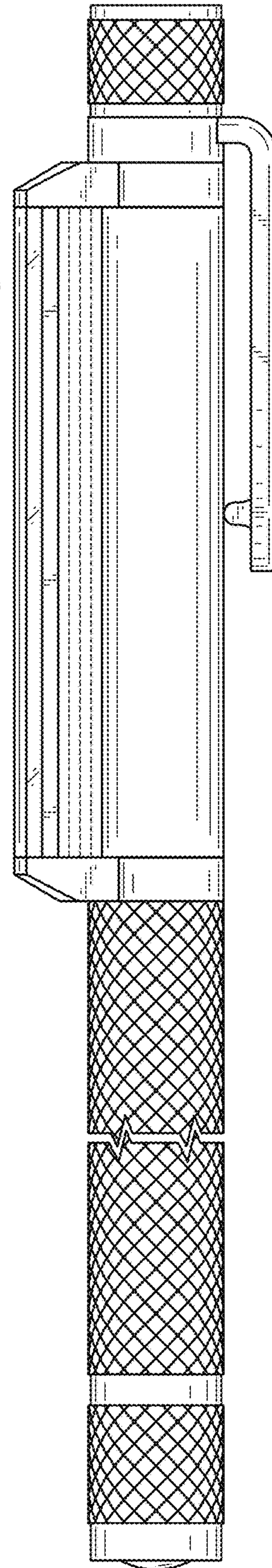


FIG. 4

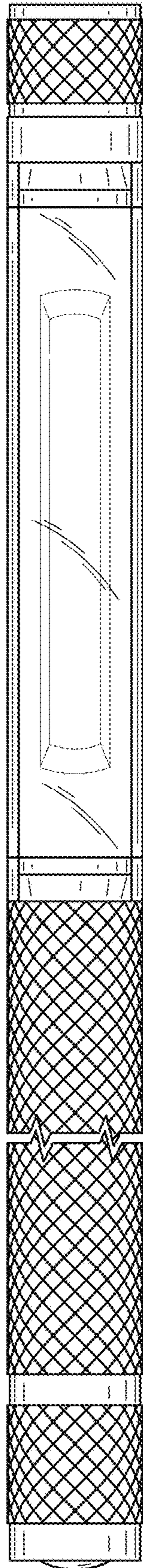


FIG. 5

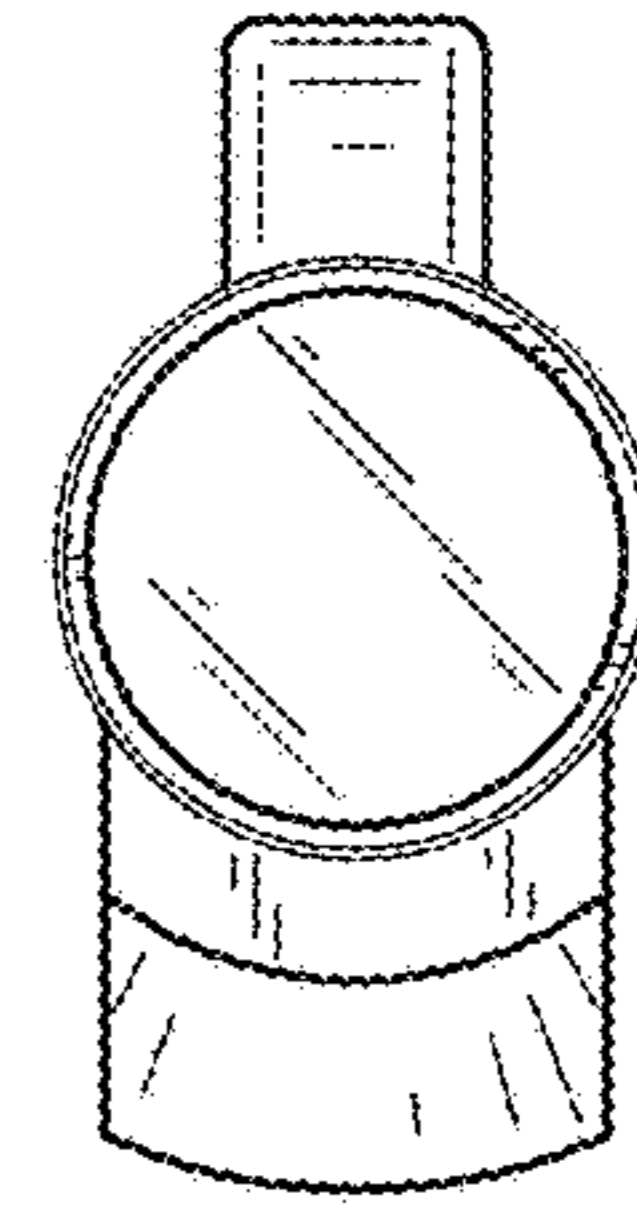
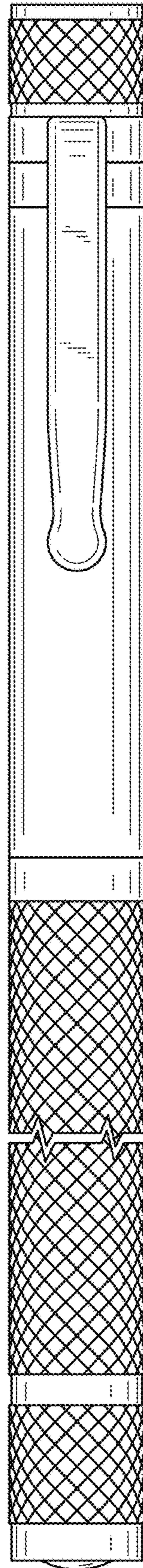


FIG. 6

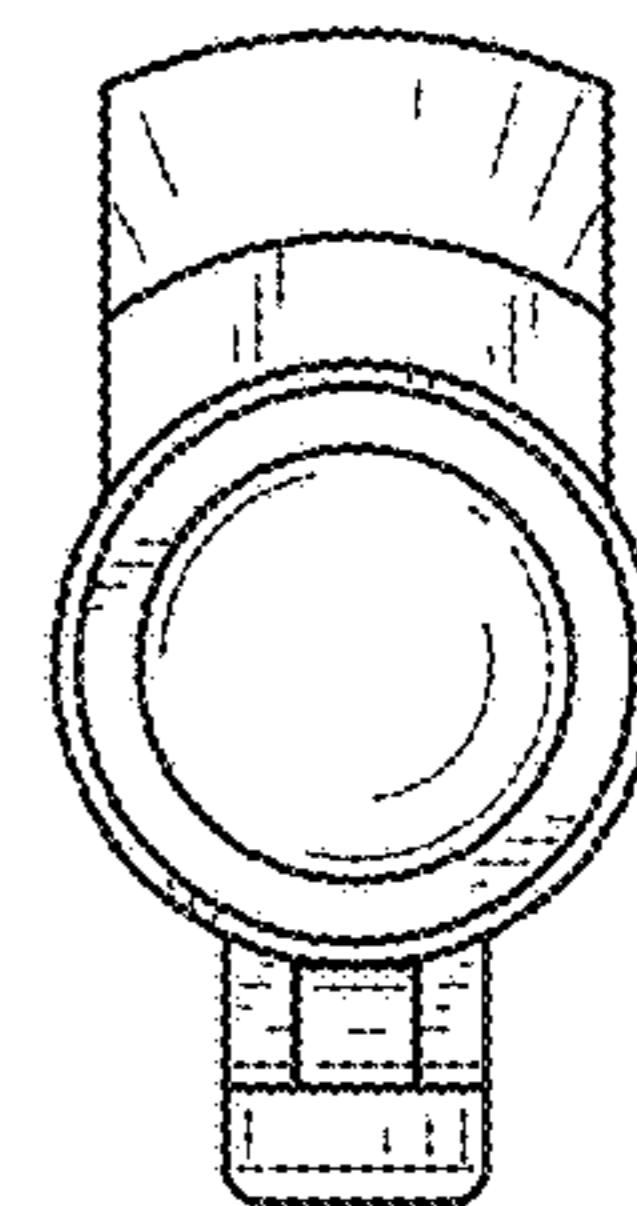


FIG. 7