



US00D809168S

(12) **United States Design Patent**  
**Kennemer et al.**

(10) **Patent No.:** **US D809,168 S**  
(45) **Date of Patent:** **\*\* Jan. 30, 2018**

(54) **LIGHT BAR**

(71) Applicant: **Tractor Supply Company**, Nashville, TN (US)

(72) Inventors: **Brian Kennemer**, Chapel Hill, TN (US); **Christian D. Fogg**, Columbia, TN (US); **Ty Rager**, Hendersonville, TN (US); **Adam Prater**, Thompson Station, TN (US)

(73) Assignee: **Tractor Supply Company**, Brentwood, TN (US)

(\*\*) Term: **15 Years**

(21) Appl. No.: **29/591,579**

(22) Filed: **Jan. 20, 2017**

(51) **LOC (11) Cl.** ..... **26-07**

(52) **U.S. Cl.**  
USPC ..... **D26/28**

(58) **Field of Classification Search**  
USPC ..... D26/28-36; 362/459-468, 475-478, 362/485-487  
CPC ..... F21S 48/00; F21S 48/10; F21S 48/115; F21S 48/225; F21S 48/1233; F21S 48/1266; F21S 48/1388; F21S 48/2268; F21V 21/04

See application file for complete search history.

(56) **References Cited**

**U.S. PATENT DOCUMENTS**

4,791,402	A	12/1988	Vaughn
4,816,968	A	3/1989	Yamada et al.
5,101,326	A	3/1992	Roney
5,188,445	A	2/1993	Haun et al.
5,309,277	A	5/1994	Deck
5,373,426	A	12/1994	O'Sullivan
5,798,691	A	8/1998	Kao
5,988,840	A	11/1999	Wirtz

D418,929	S	*	1/2000	Allen	.....	D10/114.1
6,190,026	B1		2/2001	Moore		
6,520,669	B1		2/2003	Chen et al.		
6,561,690	B2		5/2003	Balestiero et al.		
6,592,238	B2		7/2003	Cleaver et al.		
6,986,597	B2		1/2006	Elwell		
D526,430	S		8/2006	Hernandez et al.		
7,095,318	B1		8/2006	Bekhor		
D530,029	S	*	10/2006	Neufeglise	.....	D26/28
7,163,320	B2		1/2007	Liu		
7,217,004	B2		5/2007	Park et al.		
D576,754	S		9/2008	Wang		
7,695,164	B2		4/2010	Berben et al.		
7,726,845	B2		6/2010	Zheng et al.		
7,758,211	B2		7/2010	Zheng et al.		

(Continued)

*Primary Examiner* — Angela J Lee

(74) *Attorney, Agent, or Firm* — Lucian Wayne Beavers; Patterson Intellectual Property Law, PC

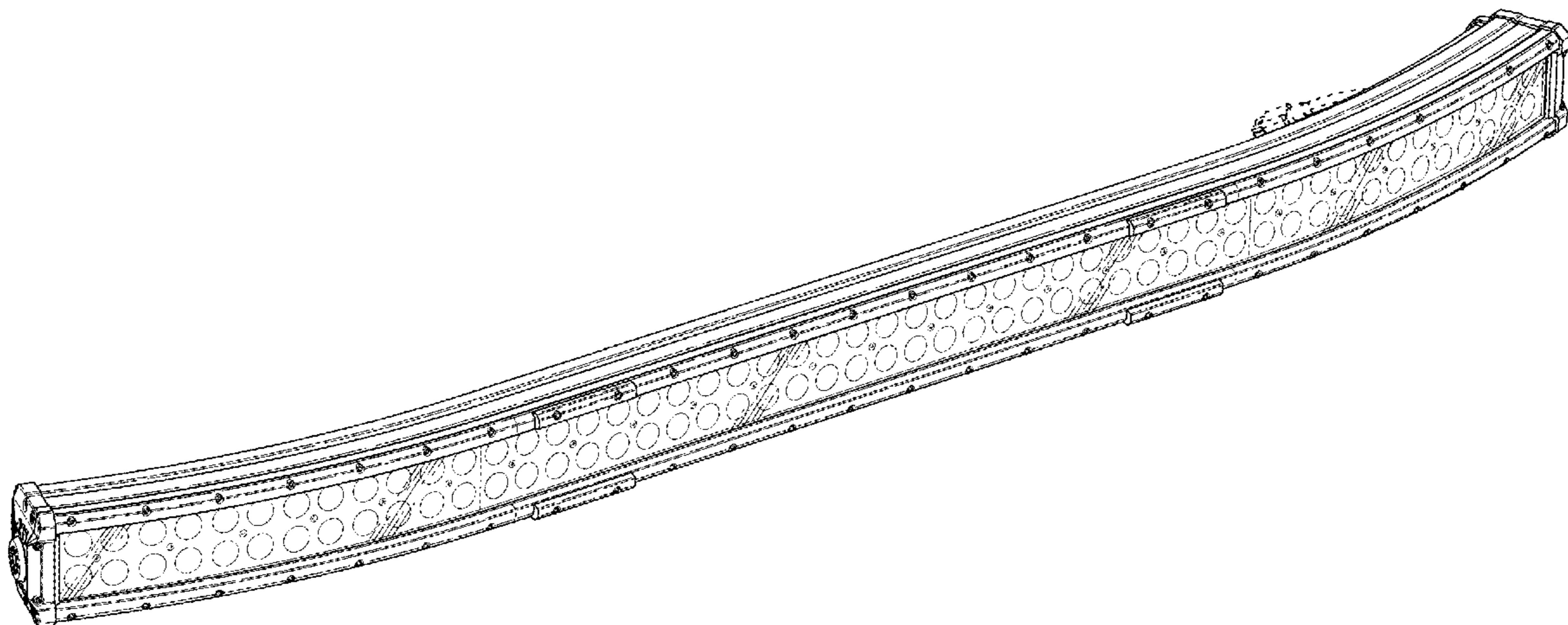
(57) **CLAIM**

What is claimed is the ornamental design for a light bar, as shown and described.

**DESCRIPTION**

FIG. 1 is a top front perspective view of the light bar.  
 FIG. 2 is a bottom rear perspective view of the light bar of FIG. 1.  
 FIG. 3 is a front elevation view of the light bar of FIG. 1.  
 FIG. 4 is a rear elevation view of the light bar of FIG. 1.  
 FIG. 5 is a left end view of the light bar of FIG. 1.  
 FIG. 6 is a right end view of the light bar of FIG. 1.  
 FIG. 7 is a cross-sectional view of the light bar of FIG. 1, taken along line 7-7 of FIG. 3.  
 FIG. 8 is a bottom view of the light bar of FIG. 1; and, FIG. 9 is a top view of the light bar of FIG. 1.  
 Features shown in dashed lines are shown for background only and are not a part of the claimed design. The internal area within the dashed border in FIG. 7 is not a part of the claimed design.

**1 Claim, 3 Drawing Sheets**



(56)

References Cited

U.S. PATENT DOCUMENTS

7,806,560 B2	10/2010	Schultz et al.			
D642,302 S	7/2011	Schiavone et al.			
D643,951 S	8/2011	Cai			
8,092,049 B2	1/2012	Kinnune et al.			
D653,783 S	2/2012	Biro et al.			
8,220,976 B2	7/2012	Liu et al.			
8,246,219 B2	8/2012	Teng et al.			
8,313,222 B2	11/2012	Kinnune et al.			
8,317,369 B2	11/2012	McCanless			
D676,990 S *	2/2013	Adams .....	D26/31		
8,430,195 B2	4/2013	Jansen et al.			
8,591,057 B2	11/2013	Kawabata et al.			
D713,574 S	9/2014	Adams			
8,888,306 B2	11/2014	Thomas et al.			
8,979,303 B2	3/2015	Adams			
D740,473 S *	10/2015	Chen .....	D26/35		
D749,253 S *	2/2016	Marroquin .....	D26/31		
				D751,753 S	3/2016 Adams et al.
				D759,278 S *	6/2016 Kim .....
				D772,454 S *	11/2016 Ma .....
				D775,751 S *	1/2017 Jones, Jr. ....
				D776,314 S *	1/2017 Aho .....
				D781,474 S *	3/2017 Graham .....
				D782,090 S *	3/2017 Graham .....
				2004/0170017 A1	9/2004 Zhan et al.
				2008/0290357 A1	11/2008 Lin et al.
				2009/0323342 A1	12/2009 Liu
				2010/0073637 A1	3/2010 Matsumoto et al.
				2010/0091507 A1	4/2010 Li et al.
				2010/0328947 A1	12/2010 Chang et al.
				2011/0176297 A1	7/2011 Hsia et al.
				2011/0233568 A1	9/2011 An et al.
				2013/0107519 A1	5/2013 Kim et al.
				2014/0016313 A1	1/2014 Adams
				2014/0078762 A1	3/2014 Adams
				2014/0268771 A1	9/2014 Heikman
				2016/0258598 A1	9/2016 Adams

\* cited by examiner

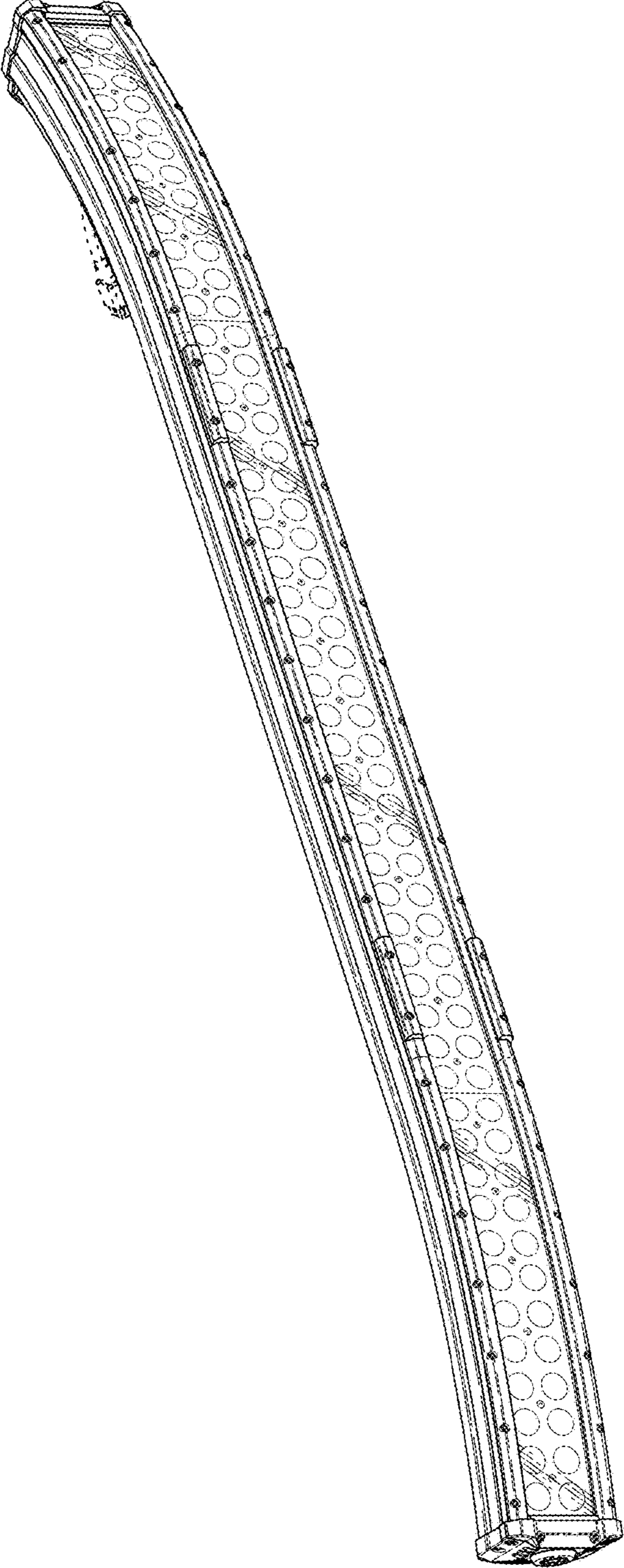


FIG. 1

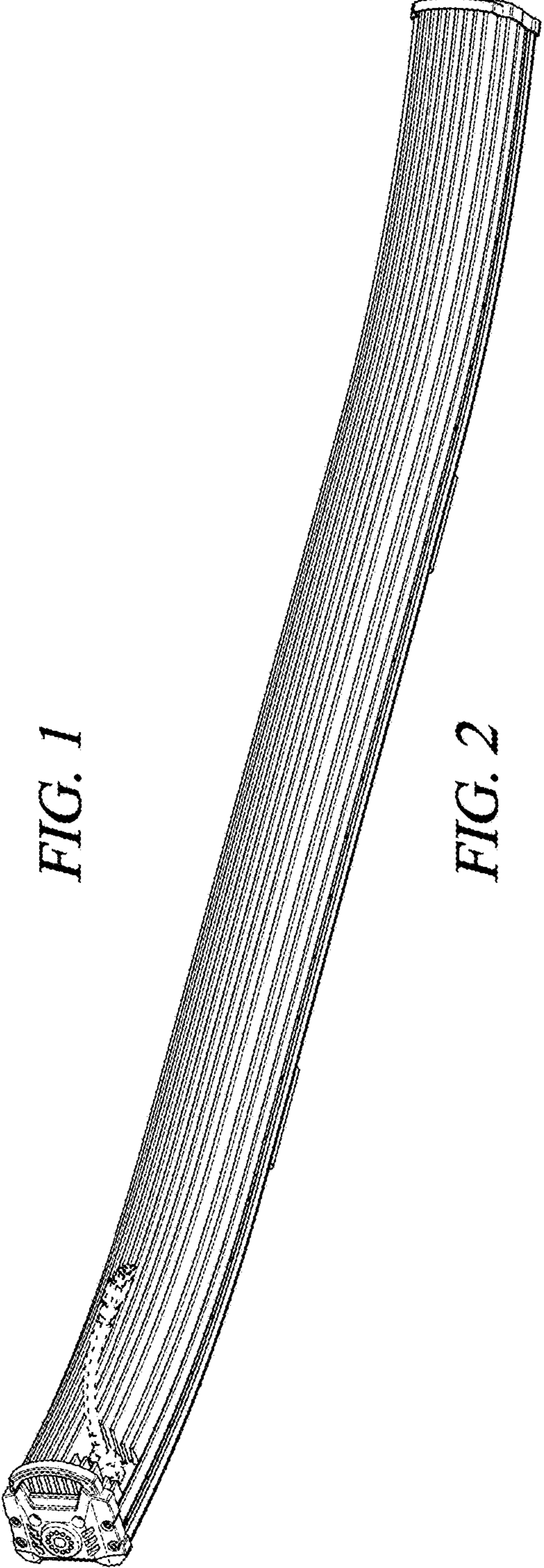


FIG. 2

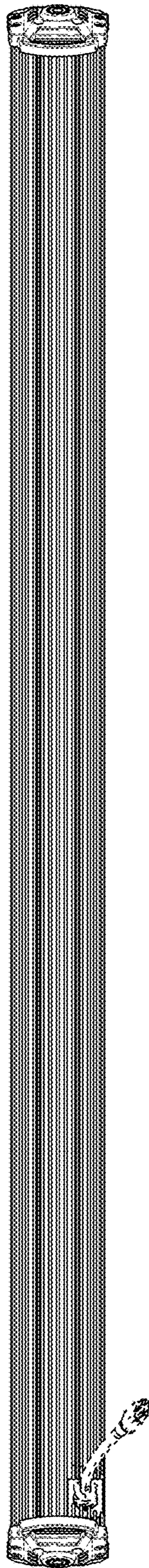
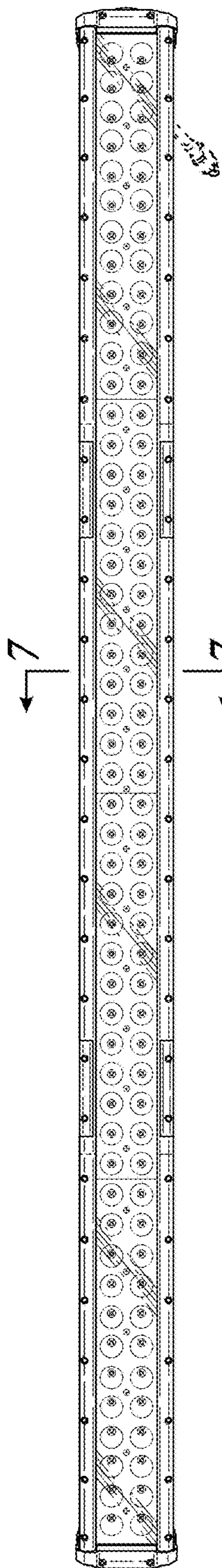


FIG. 4

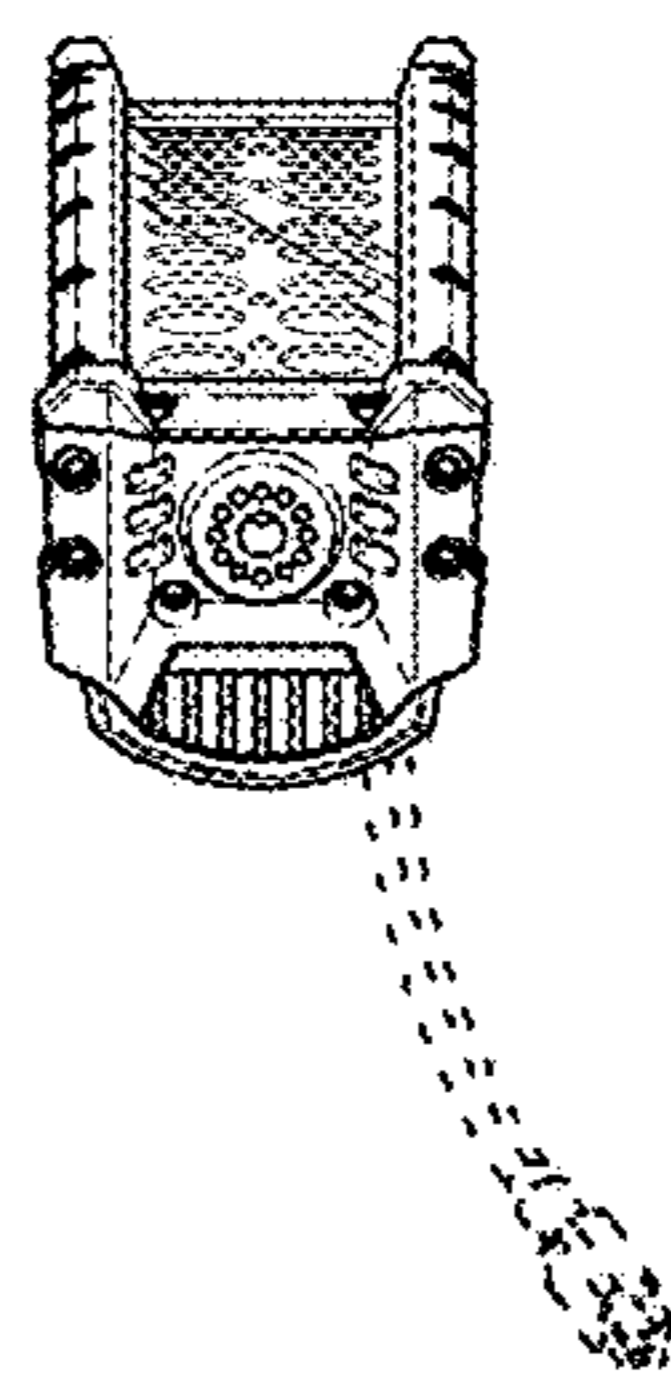
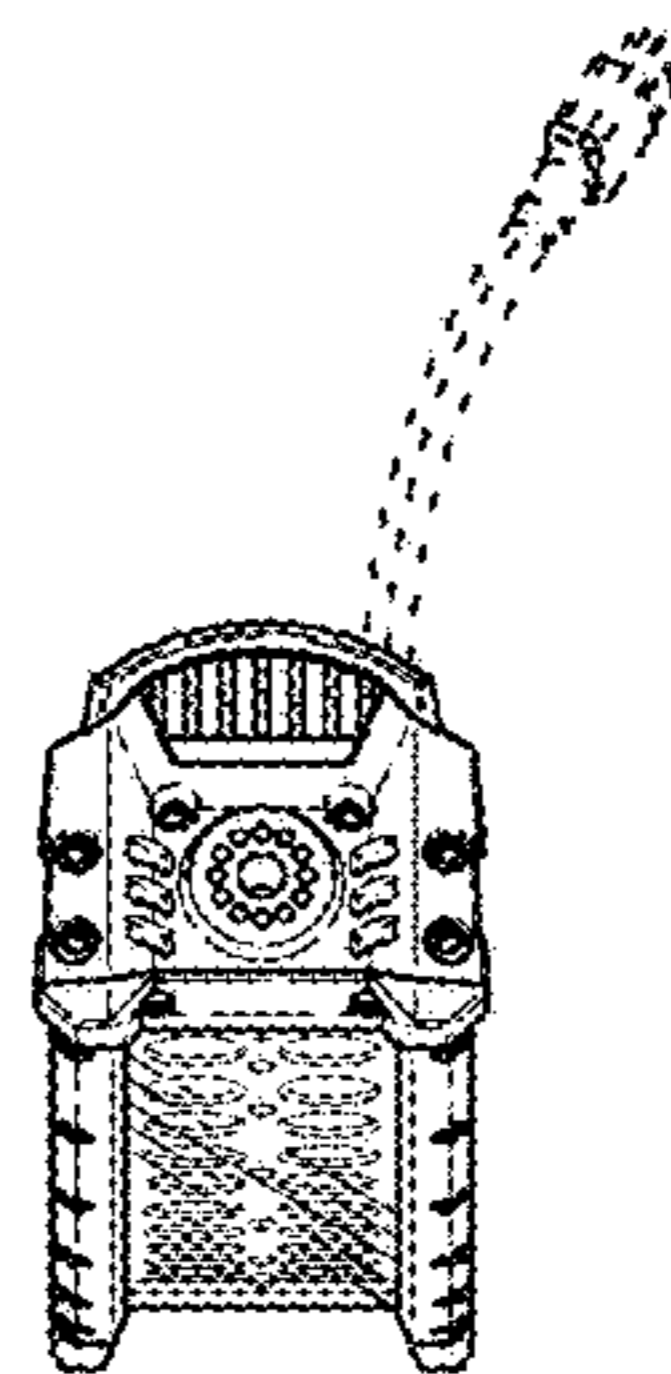
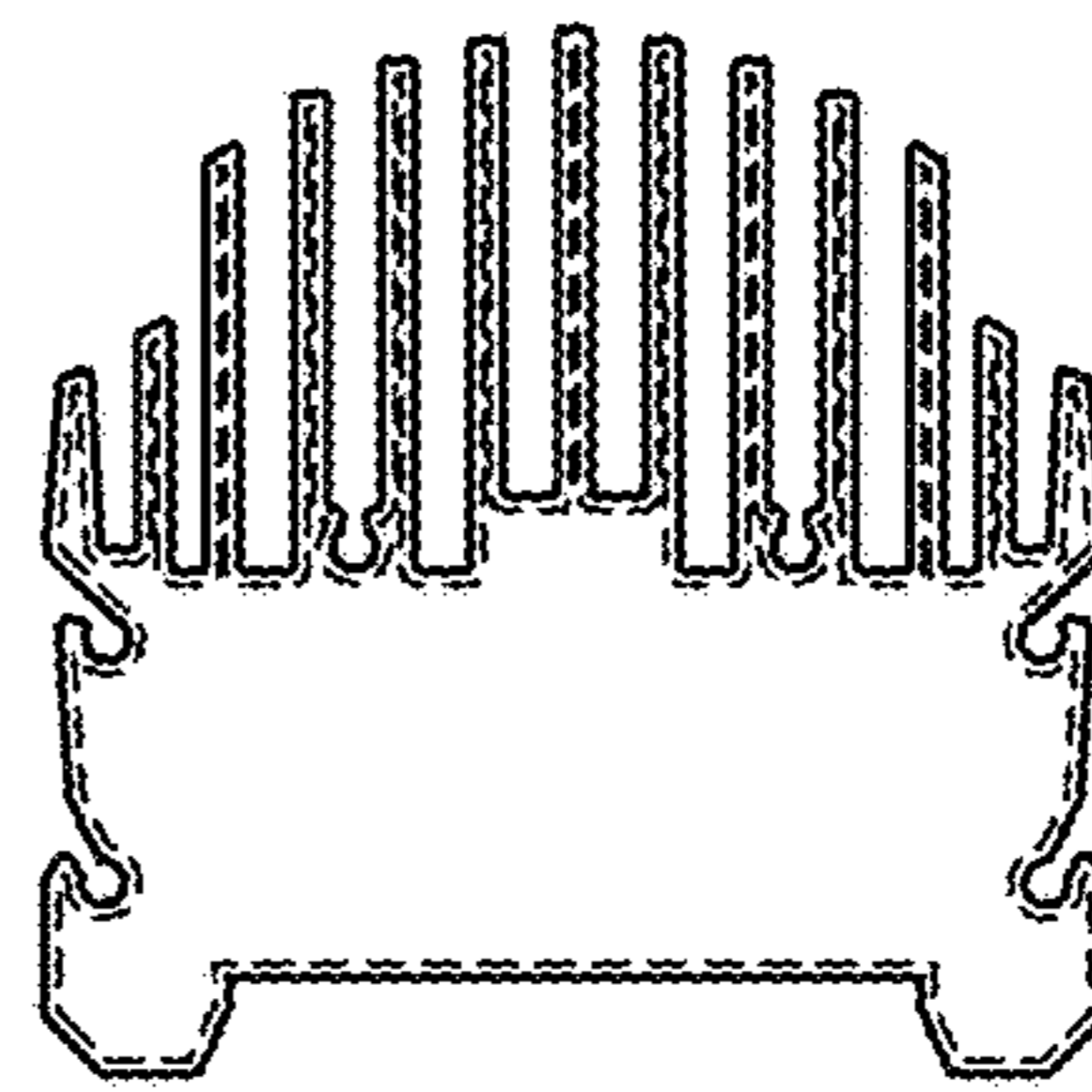
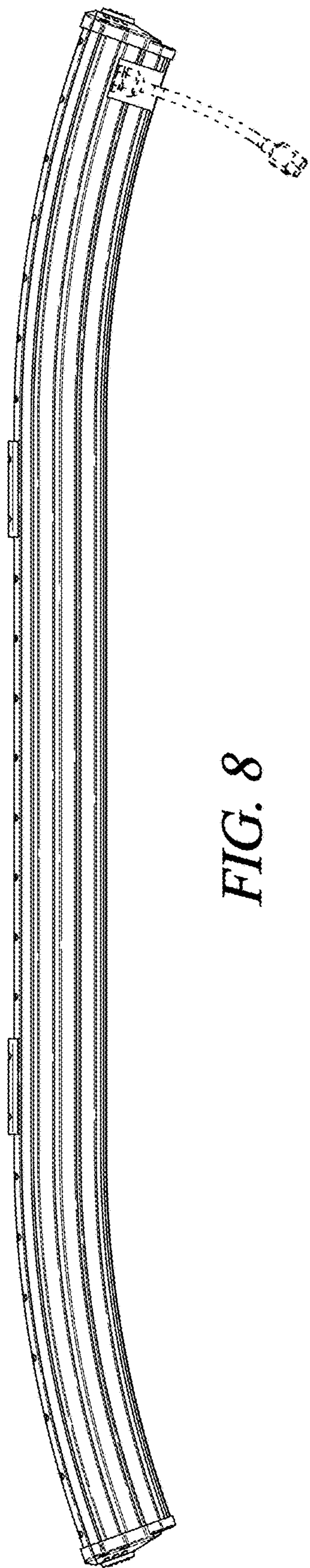


FIG. 6

FIG. 5



*FIG. 8*



*FIG. 9*