



US00D809166S

(12) **United States Design Patent**
Georgitsis et al.

(10) **Patent No.:** **US D809,166 S**
(45) **Date of Patent:** **** Jan. 30, 2018**

(54) **HEADLIGHT**

D475,646 S 6/2003 Mashevsky
6,641,284 B2 11/2003 Stopa et al.
6,652,124 B2 11/2003 Schubert

(71) Applicant: **VISION MOTOR SPORTS INC.,**
Algona, WA (US)

(Continued)

(72) Inventors: **Anthony C. Georgitsis**, Algona, WA
(US); **Nicholas B. Irwin**, Algona, WA
(US); **Joseph Biro**, Scottsdale, AZ (US)

Primary Examiner — Marcus Jackson

(74) *Attorney, Agent, or Firm* — Barnes & Thornburg
LLP

(73) Assignee: **VISION MOTOR SPORTS, INC.,**
Algona, WA (US)

(57) **CLAIM**

We claim the ornamental design for a headlight, as shown
and described.

(**) Term: **15 Years**

DESCRIPTION

(21) Appl. No.: **29/573,345**

FIG. 1 is a perspective view, taken from the front, right side,
of a headlight in accordance with a first embodiment of my
new design;

(22) Filed: **Aug. 4, 2016**

FIG. 2 is a front elevational view of the headlight shown in
FIG. 1;

(51) **LOC (11) Cl.** **26-06**

FIG. 3 is a rear elevational view thereof;

(52) **U.S. Cl.**

FIG. 4 is a right-side elevational view thereof;

USPC **D26/28**

FIG. 5 is a left-side elevational view thereof;

(58) **Field of Classification Search**

USPC D26/28–36; 362/80–83, 267–269,
362/459–468, 475–478, 485–487

FIG. 6 is a top view thereof;

CPC F21S 48/00; F21S 48/10; F21S 48/115;
F21S 48/1233; F21S 48/1266; F21S
48/1388; F21S 48/2268; F21V 21/04

FIG. 7 is a bottom view thereof;

See application file for complete search history.

FIG. 8 is a perspective view, taken from the rear, left side,
of the headlight shown in FIG. 1;

(56) **References Cited**

FIG. 9 is a perspective view, taken from the front, right side,
of a headlight in accordance with a second embodiment of
my new design;

U.S. PATENT DOCUMENTS

4,254,453	A	3/1981	Mouyard et al.
4,336,580	A	6/1982	Mouyard et al.
4,914,731	A	4/1990	Chen
4,935,665	A	6/1990	Murata
6,050,710	A	4/2000	Grossman et al.
D436,679	S	1/2001	Leen
D436,680	S	1/2001	Leen
D448,371	S	9/2001	Kim
D452,027	S	12/2001	Mashevsky
6,367,949	B1	4/2002	Pederson
6,502,967	B2	1/2003	Mullen
6,536,913	B1	3/2003	Yajima et al.

FIG. 10 is a front elevational view of the headlight shown in
FIG. 9;

FIG. 11 is a rear elevational view thereof;

FIG. 12 is a right-side elevational view thereof;

FIG. 13 is a left-side elevational view thereof;

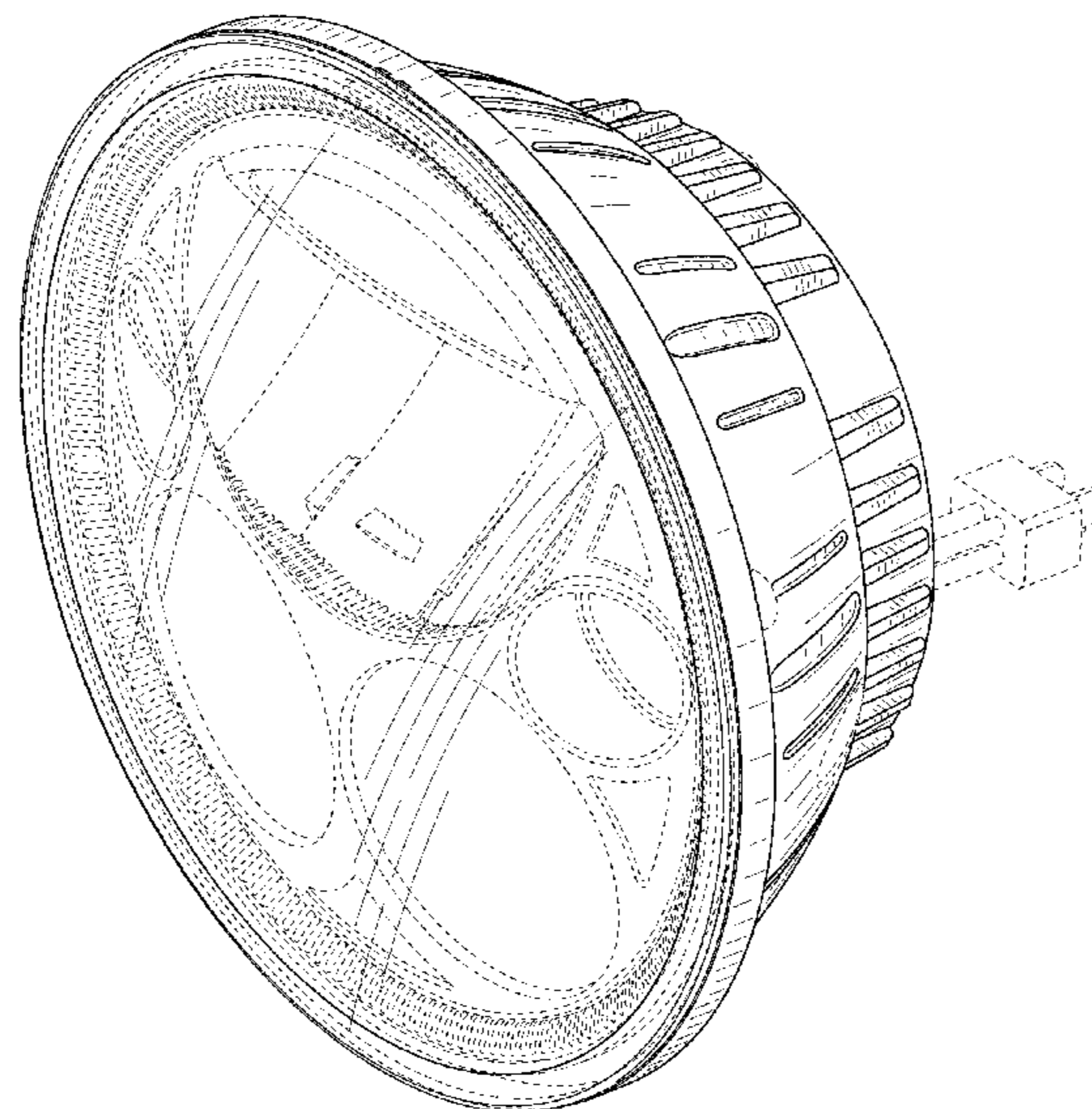
FIG. 14 is a top view thereof;

FIG. 15 is a bottom view thereof; and,

FIG. 16 is a perspective view, taken from the rear, left side,
of the headlight shown in FIG. 9.

The broken lines depict environmental structure for illus-
trative purposes only and form no part of the claimed design.

1 Claim, 16 Drawing Sheets



(56)

References Cited

U.S. PATENT DOCUMENTS

D490,172 S	5/2004	Yamamoto		D638,963 S	5/2011	Huang
7,001,049 B2	2/2006	Lee		D642,721 S	8/2011	Li et al.
7,070,310 B2	7/2006	Pond et al.		8,021,024 B2	9/2011	Huang
D532,537 S	11/2006	Shiu		8,025,422 B1	9/2011	Huang
7,152,997 B1	12/2006	Kovacik et al.		8,029,173 B2	10/2011	Ko
D550,380 S *	9/2007	Lin	D26/28	8,047,682 B2	11/2011	Zheng
D560,291 S *	1/2008	Koyama	D26/28	8,066,404 B2	11/2011	Song et al.
D561,358 S *	2/2008	Tachibana	D26/28	8,087,807 B2	1/2012	Liu et al.
D561,359 S *	2/2008	Hsu	D26/28	8,092,042 B2	1/2012	Wilcox
D563,576 S *	3/2008	Hanaoka	D26/28	8,172,434 B1	5/2012	Olsson
D564,683 S	3/2008	Roach et al.		8,201,970 B2	6/2012	Wang
D570,007 S *	5/2008	Hsu	D26/28	8,246,219 B2	8/2012	Teng et al.
D570,009 S	5/2008	Kani et al.		D674,949 S	1/2013	Georgitsis et al.
D574,978 S	8/2008	Hyodo et al.		8,348,461 B2	1/2013	Wilcox
7,420,811 B2	9/2008	Chan		8,419,217 B2	4/2013	Lu et al.
D578,685 S	10/2008	Manus		D704,363 S	5/2014	Adams
D581,069 S	11/2008	Vanderhoek		D704,365 S	5/2014	Adams
D585,575 S	1/2009	Crispin et al.		D718,478 S	11/2014	Adams
7,484,866 B1	2/2009	Buse		D722,713 S	2/2015	Burns
7,513,639 B2	4/2009	Wang		D735,908 S	8/2015	Ko
D591,883 S	5/2009	Gill		D736,430 S	8/2015	Ko
D593,232 S *	5/2009	Koman	D26/28	9,494,306 B1	11/2016	Newton
D598,144 S	8/2009	Ko		2006/0056169 A1	3/2006	Lodhie
7,588,355 B1	9/2009	Liu et al.		2007/0070618 A1	3/2007	Talamo et al.
7,651,253 B2	1/2010	Shuy		2007/0230185 A1	10/2007	Shuy
D610,725 S	2/2010	Georgitsis et al.		2008/0089071 A1	4/2008	Wang
7,762,690 B2	7/2010	Li		2010/0053950 A1	3/2010	Higuchi et al.
7,857,486 B2	12/2010	Long		2012/0106174 A1	5/2012	Chuang
7,914,162 B1	3/2011	Huang		2013/0148351 A1	6/2013	Georgitsis et al.
				2013/0235583 A1	9/2013	Chang et al.
				2014/0063811 A1	3/2014	Yun
				2014/0334149 A1	11/2014	Nolan

* cited by examiner

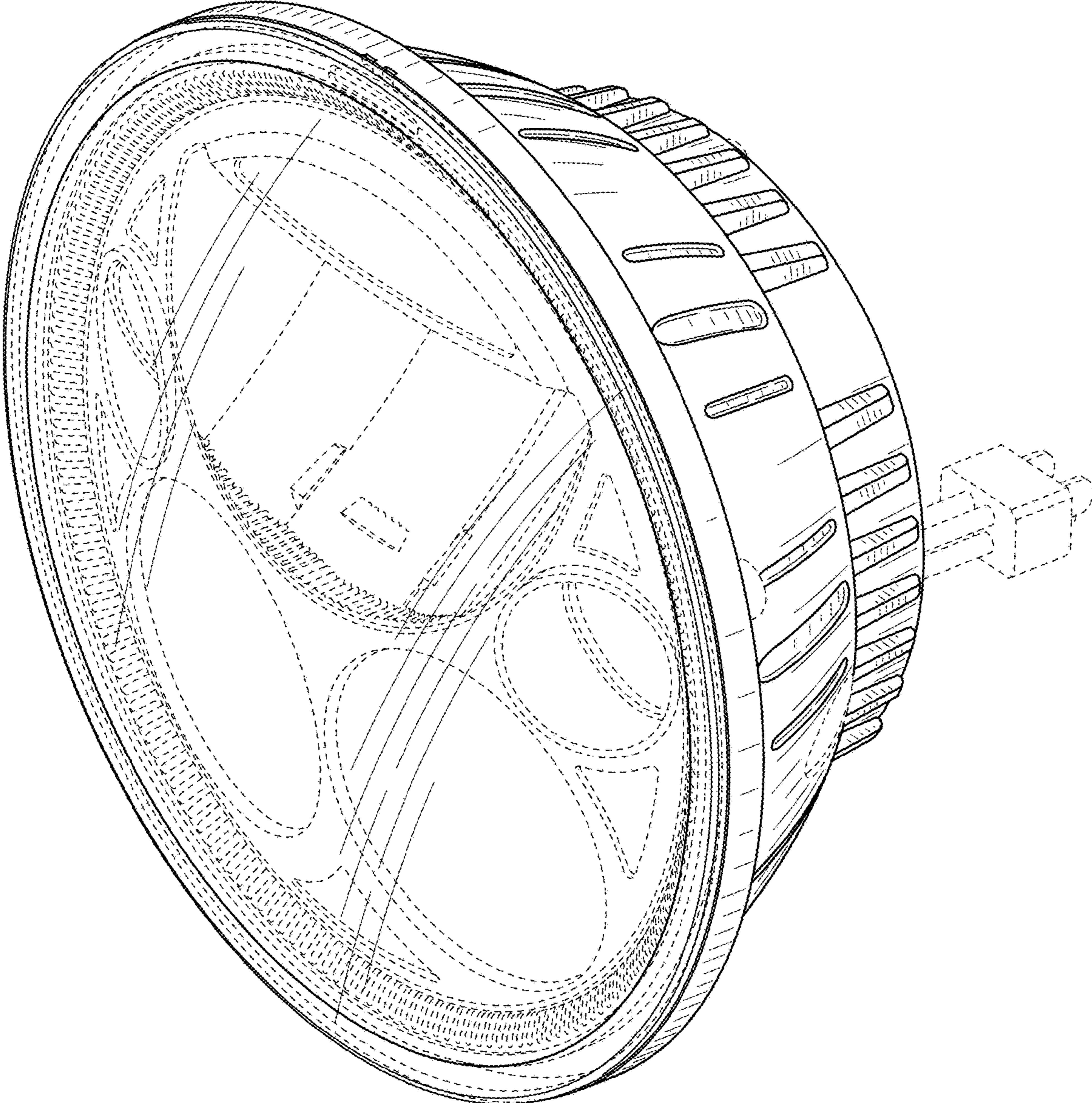


FIG. 1

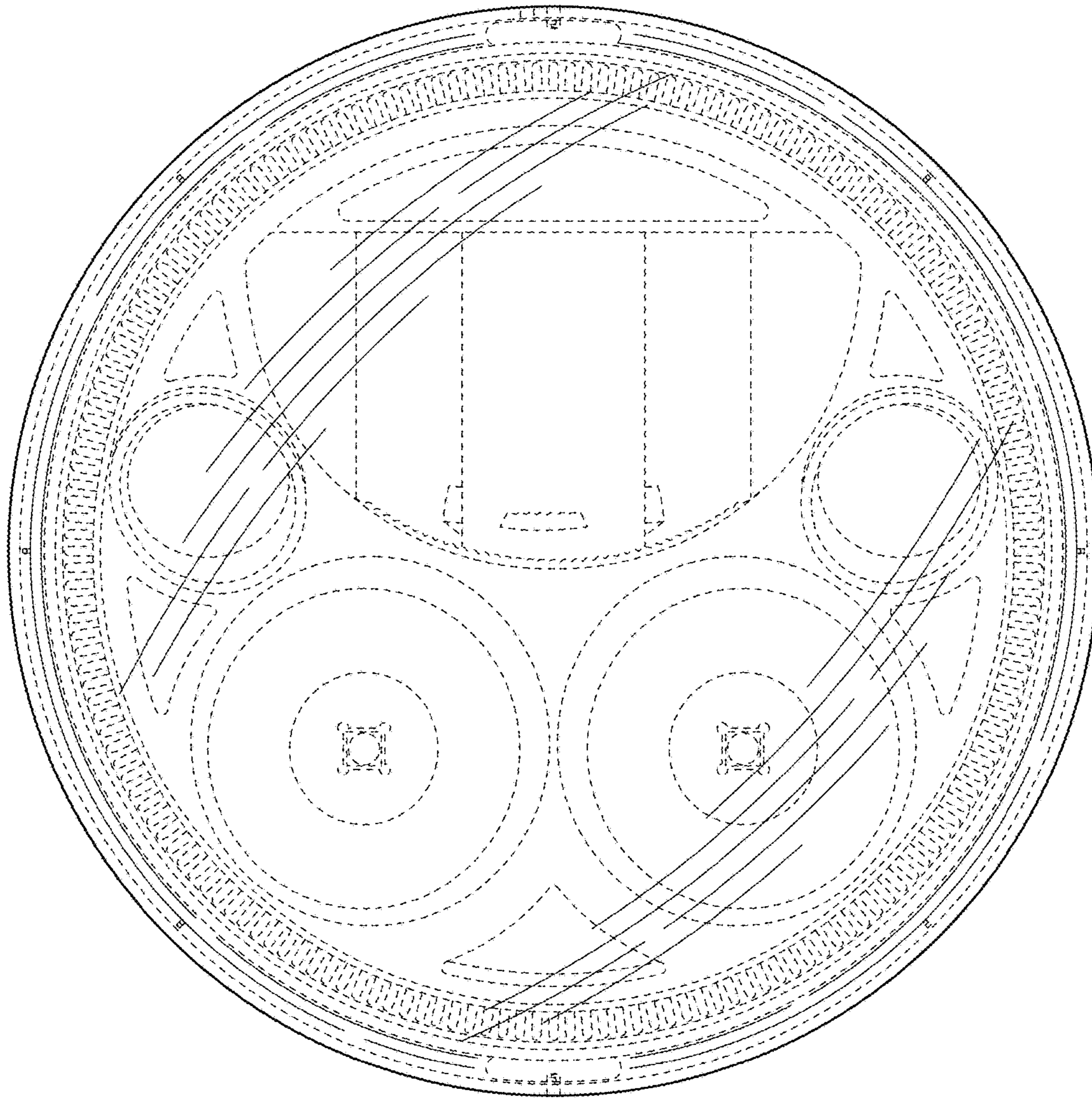


FIG. 2

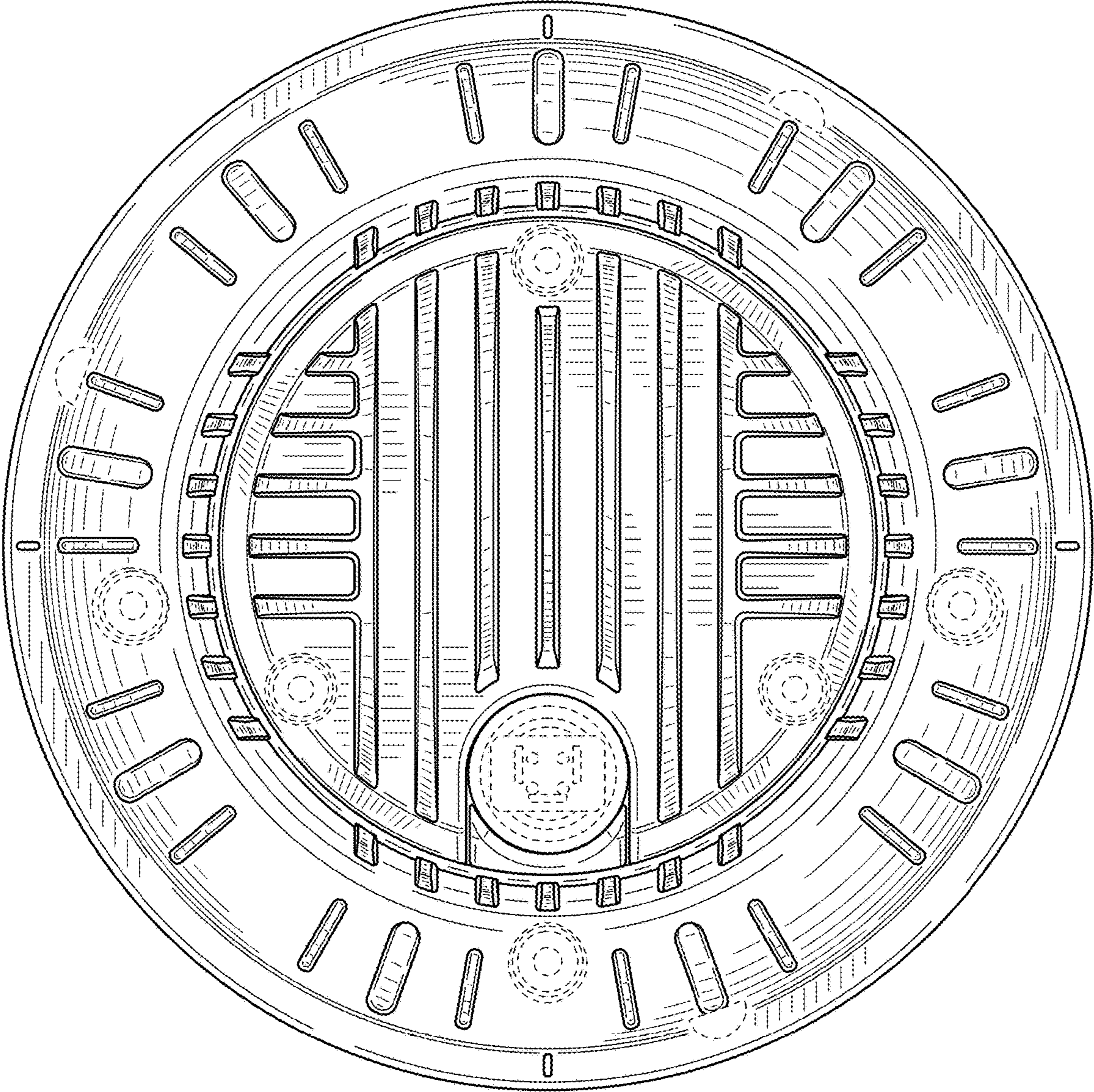


FIG. 3

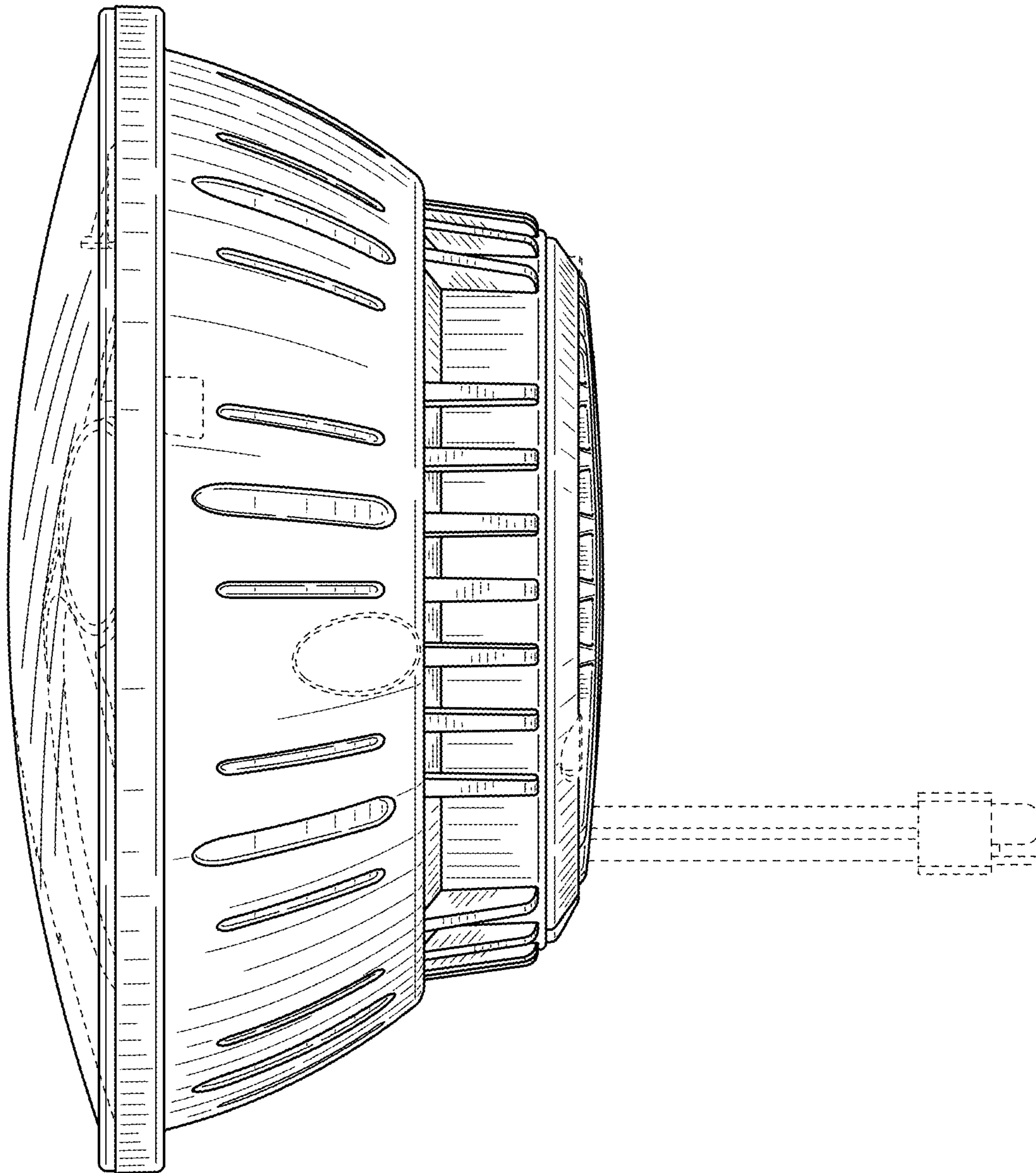


FIG. 4

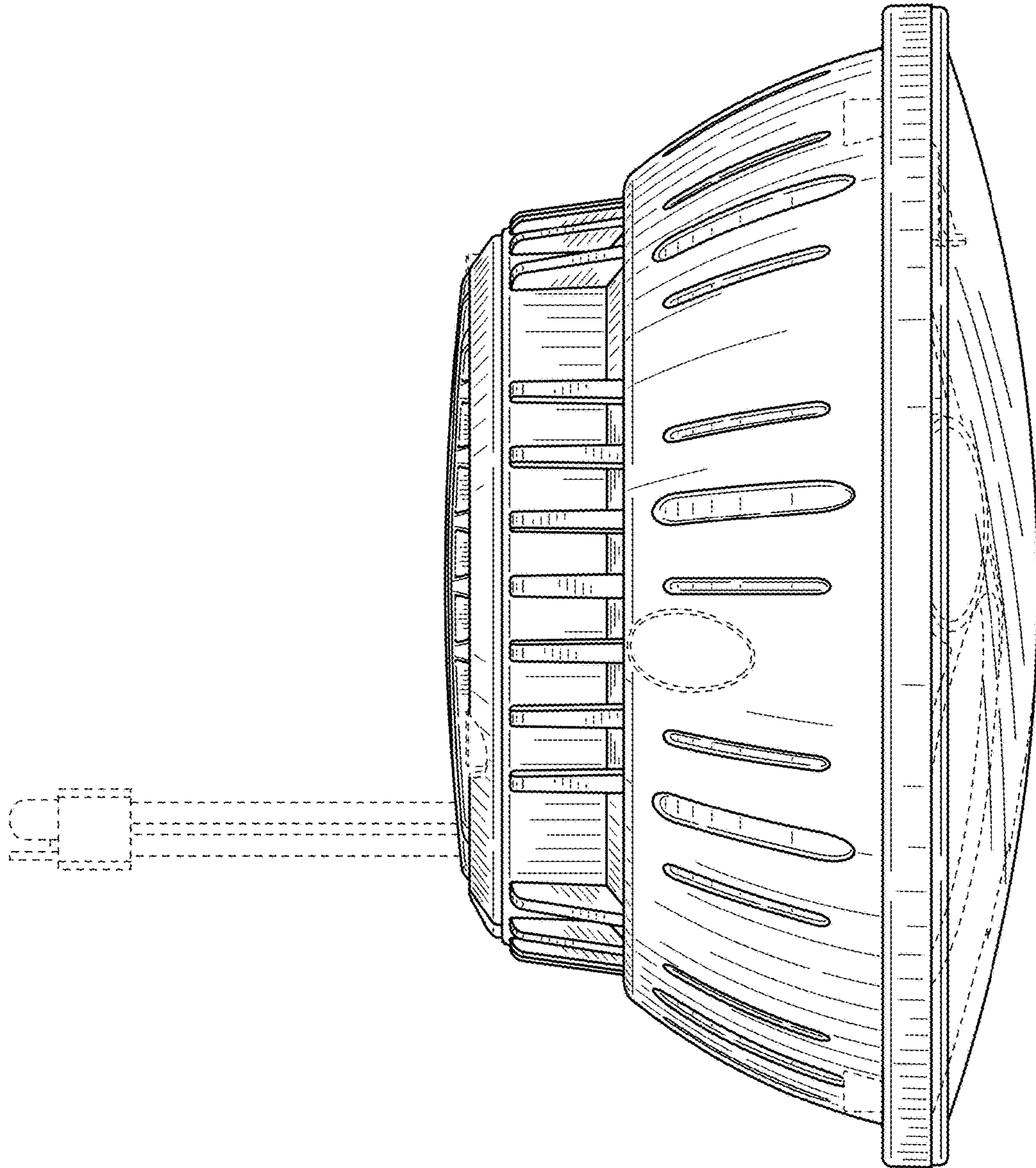


FIG. 5

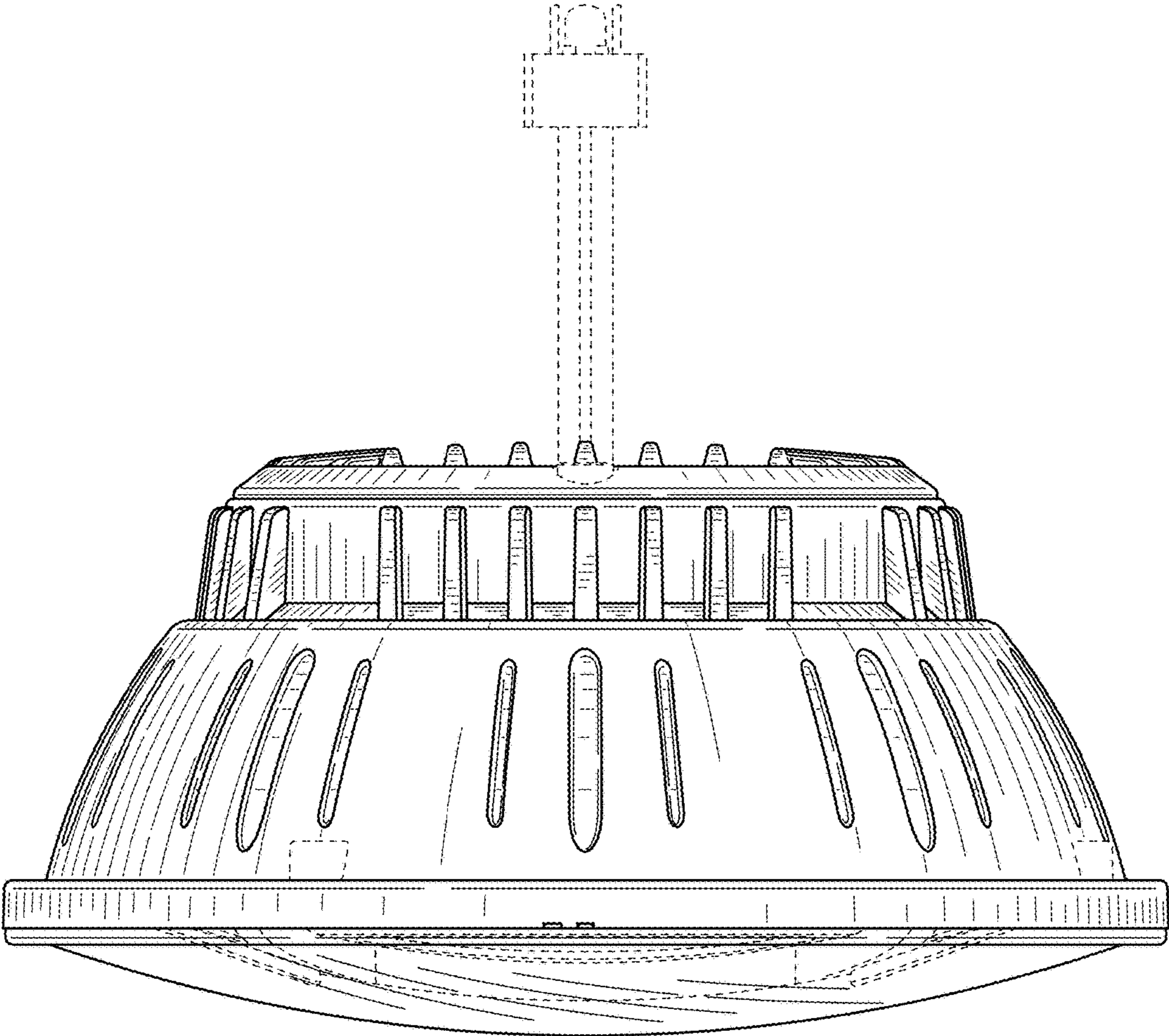


FIG. 6

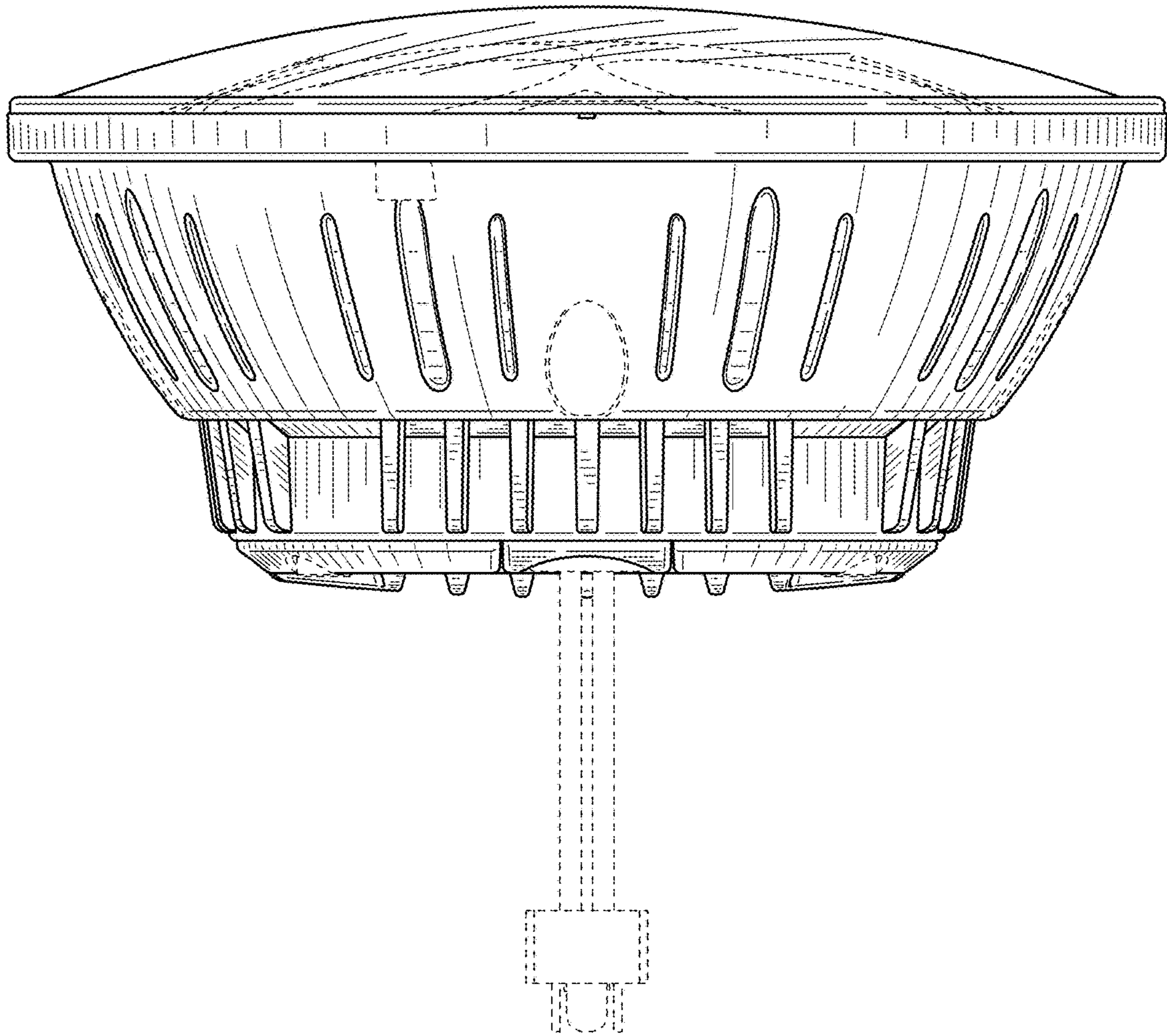


FIG. 7

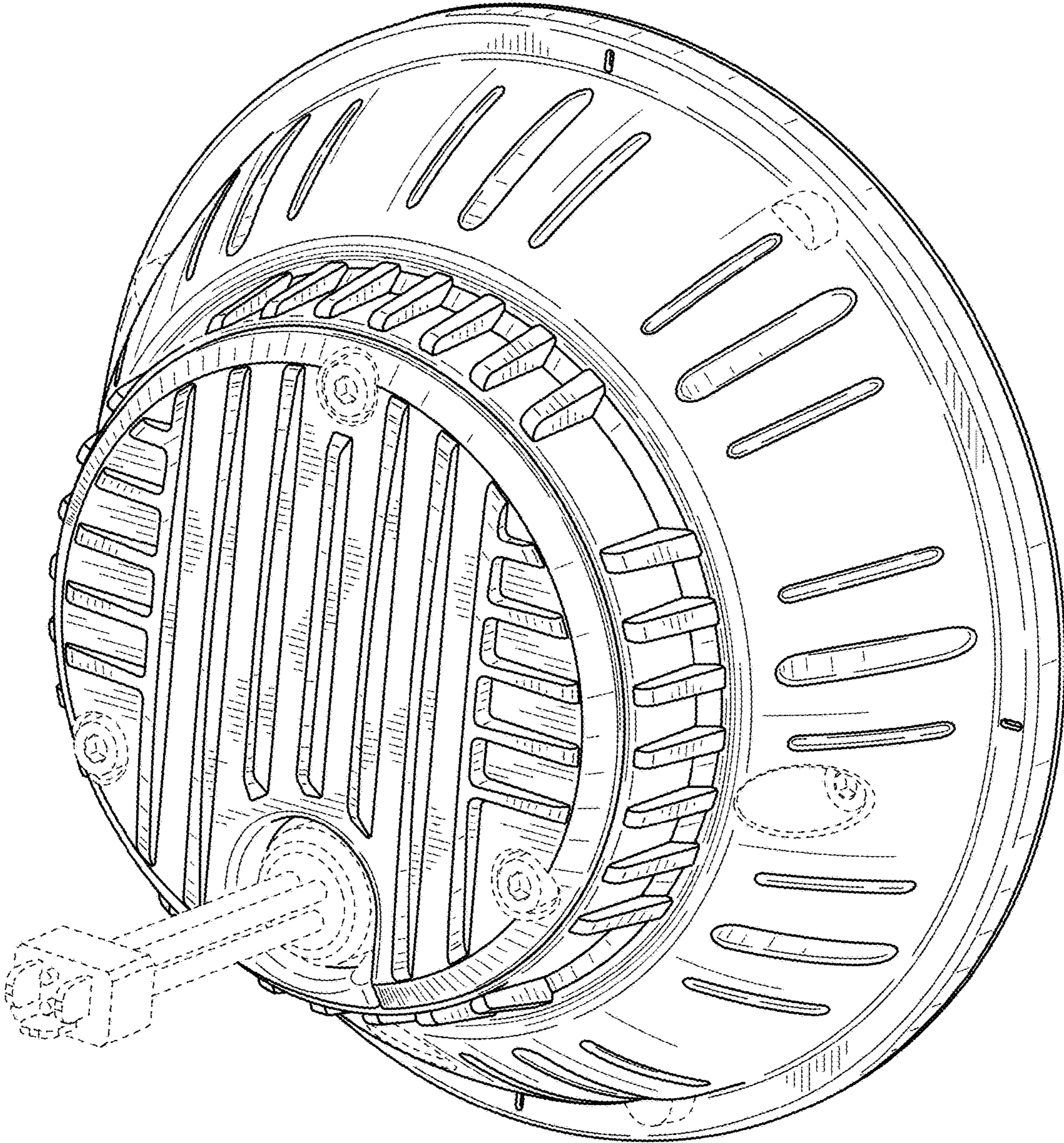


FIG. 8

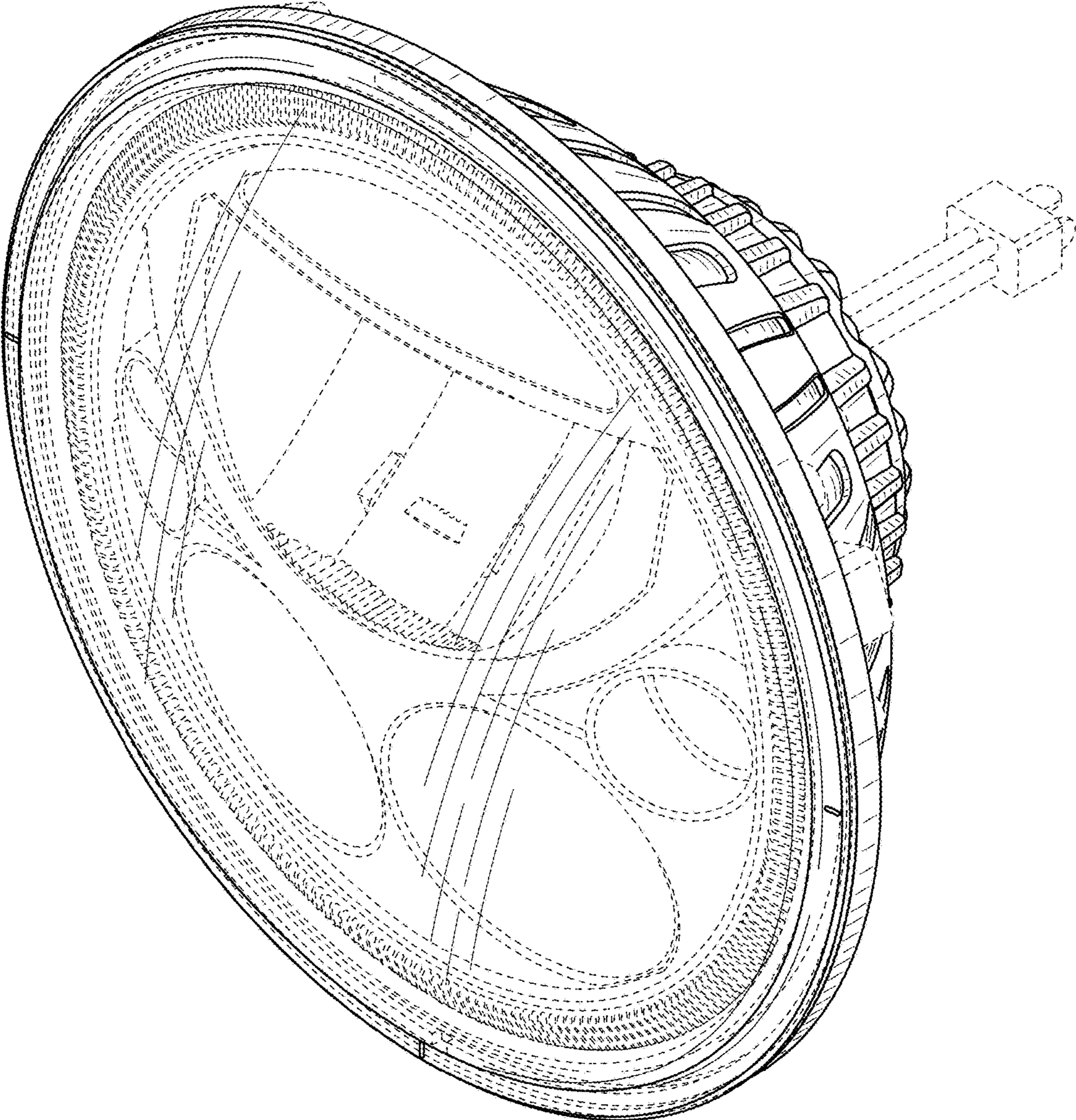


FIG. 9

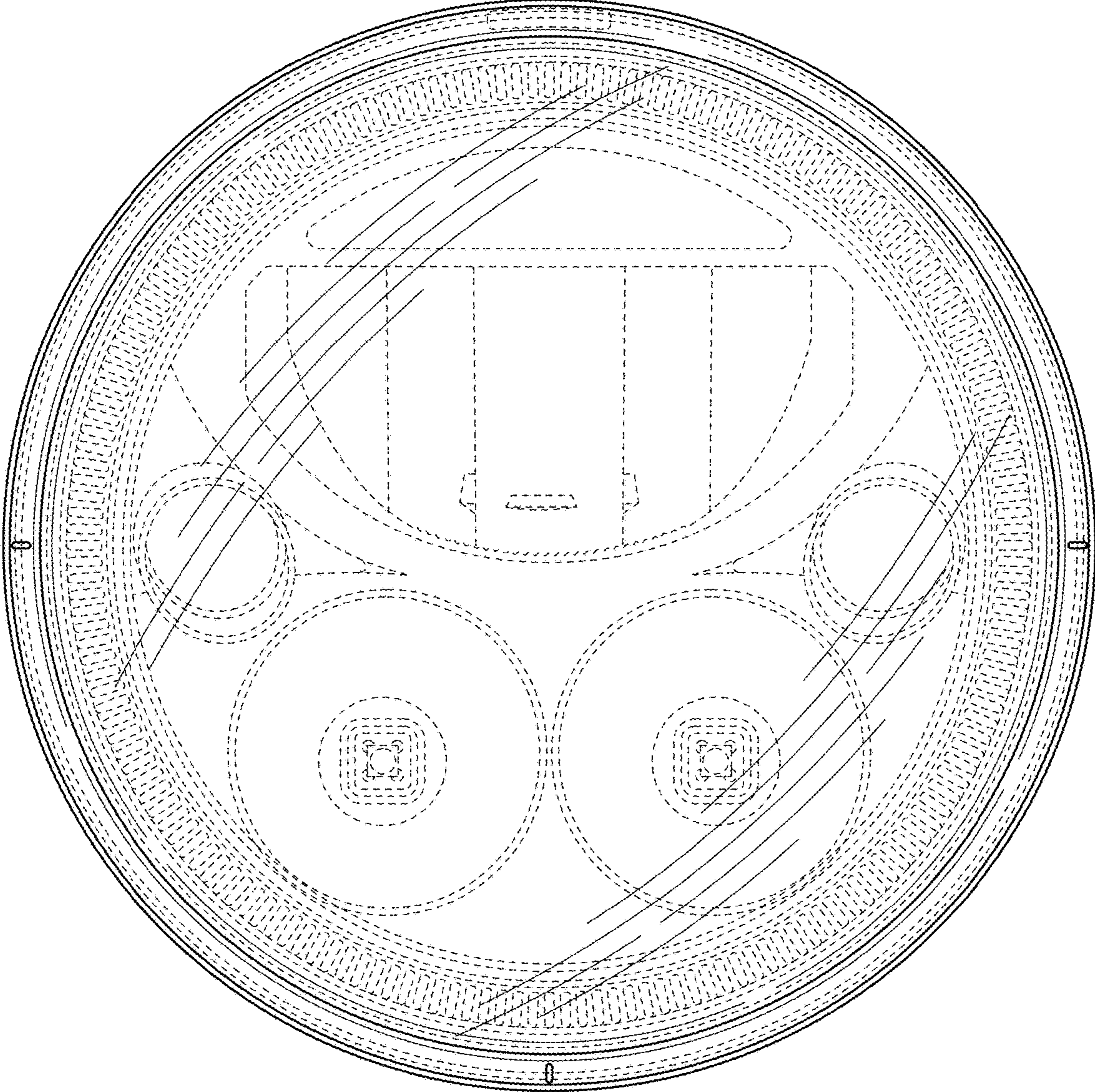


FIG. 10

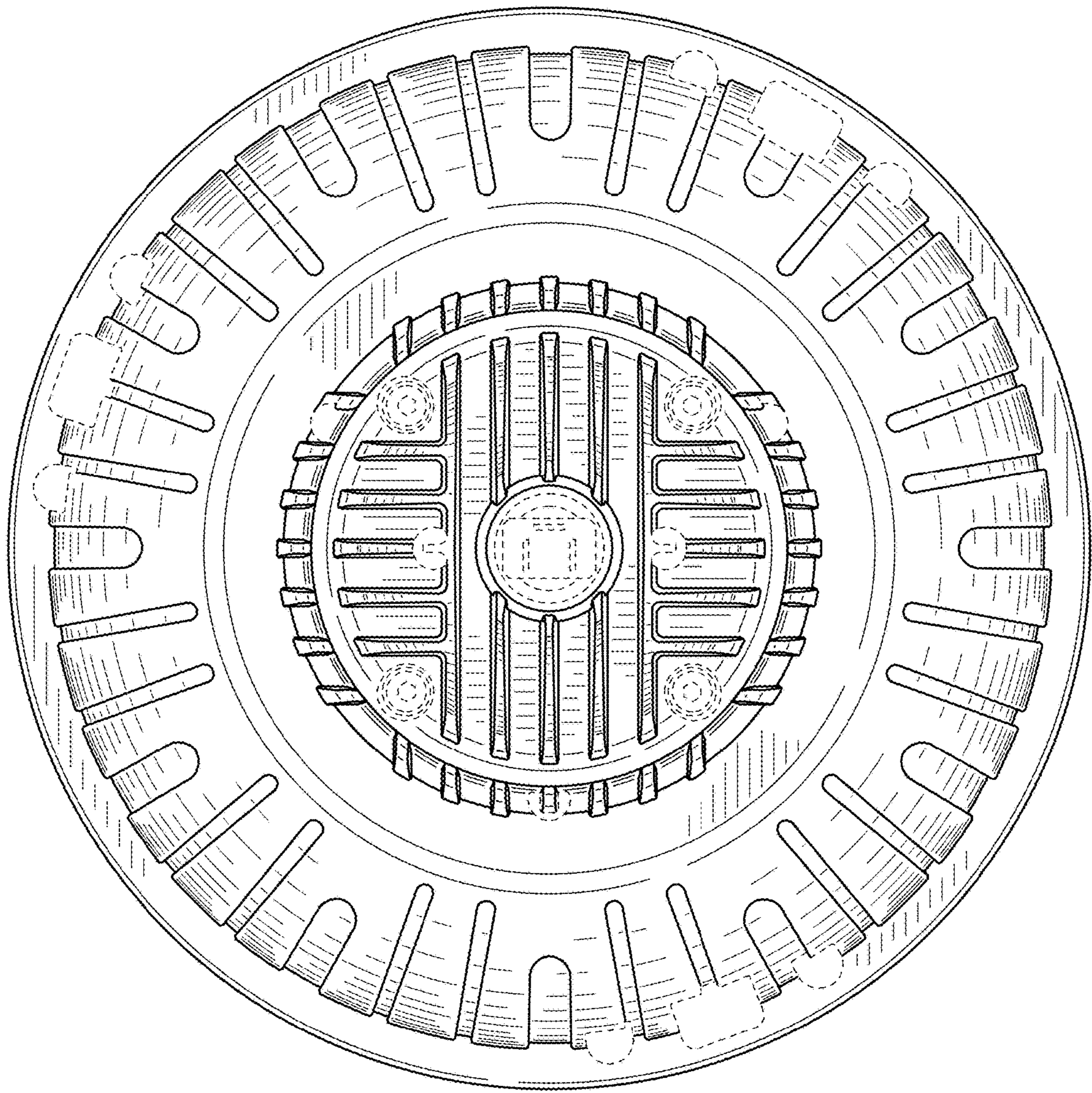


FIG. 11

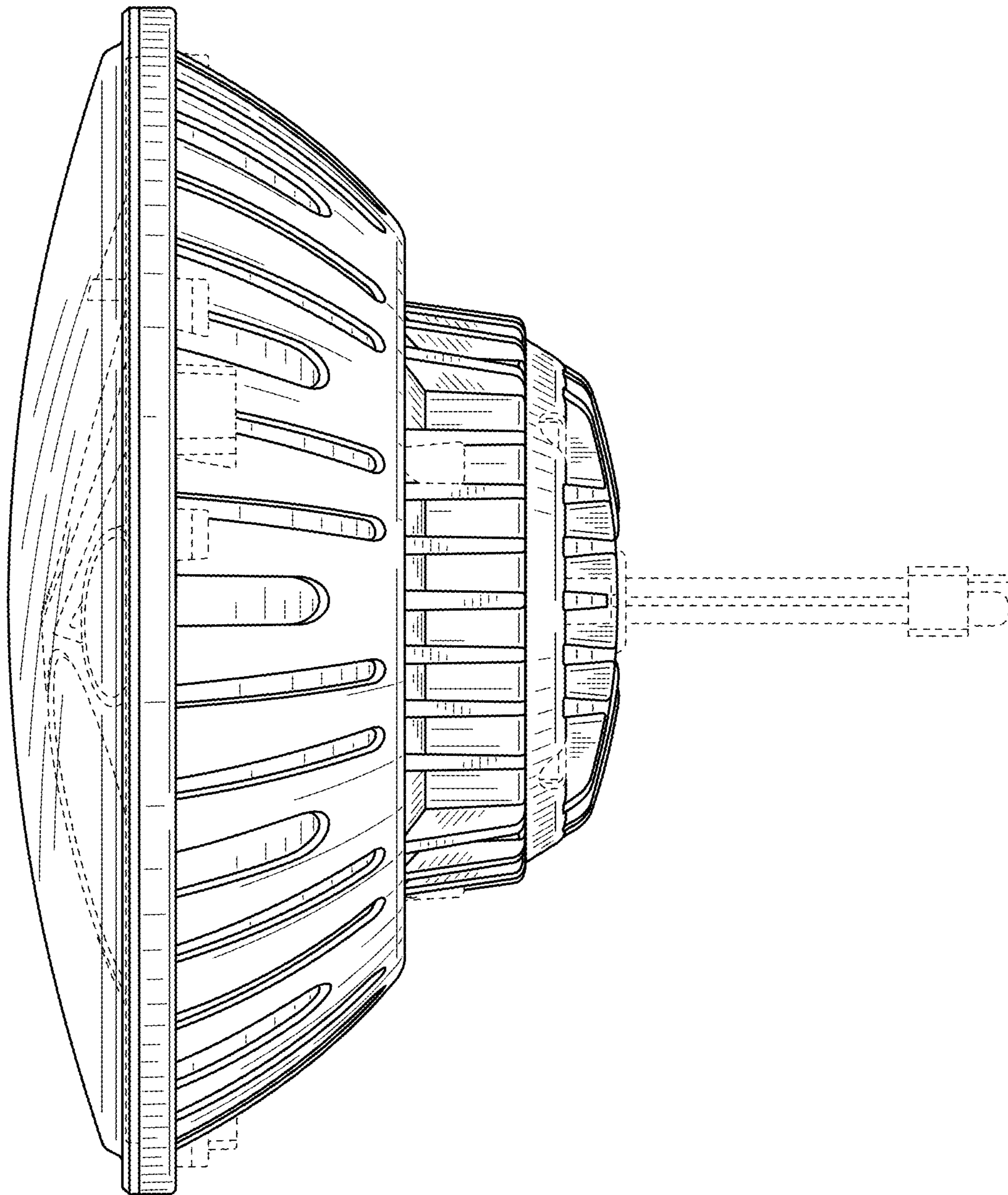


FIG. 12

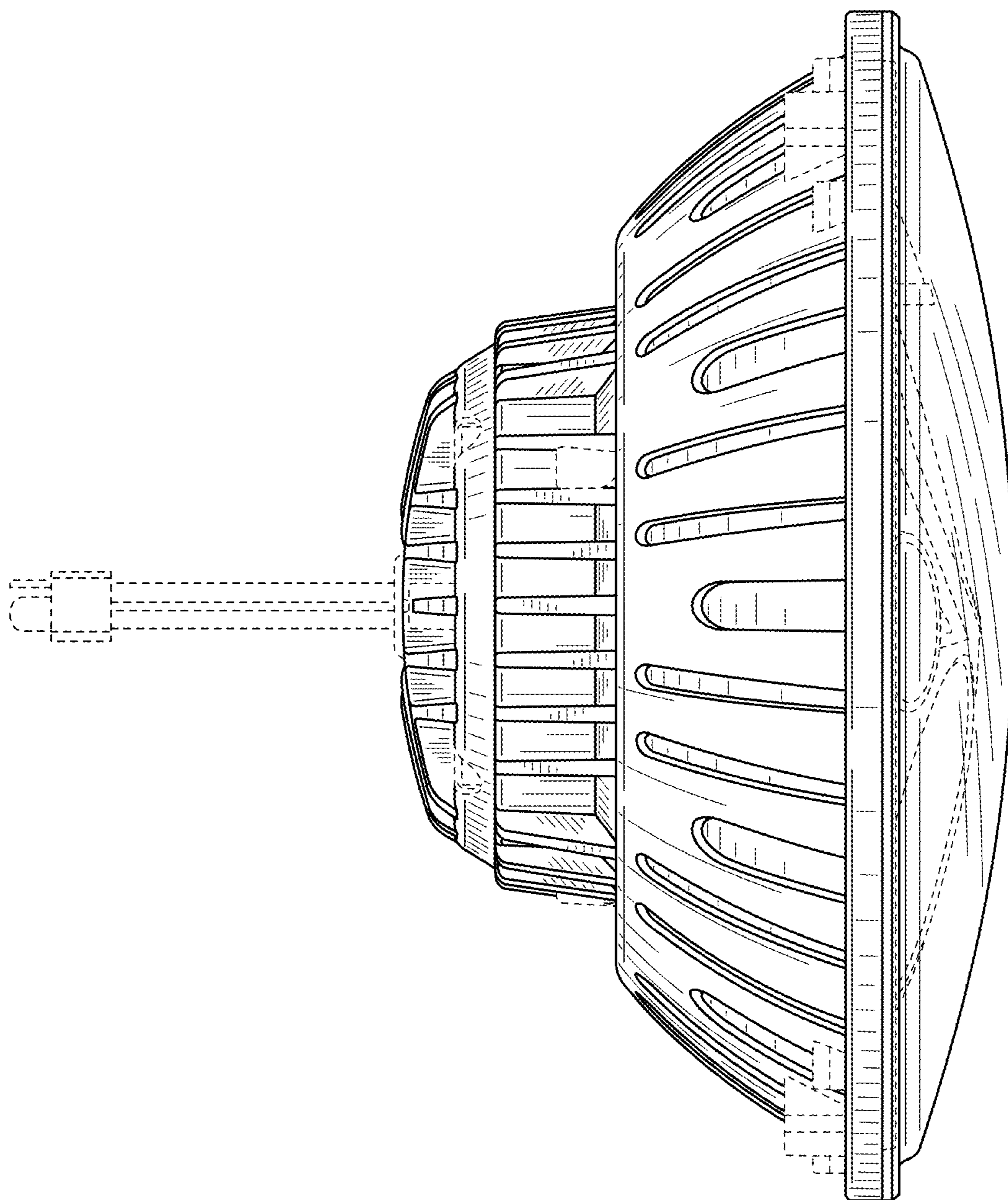


FIG. 13

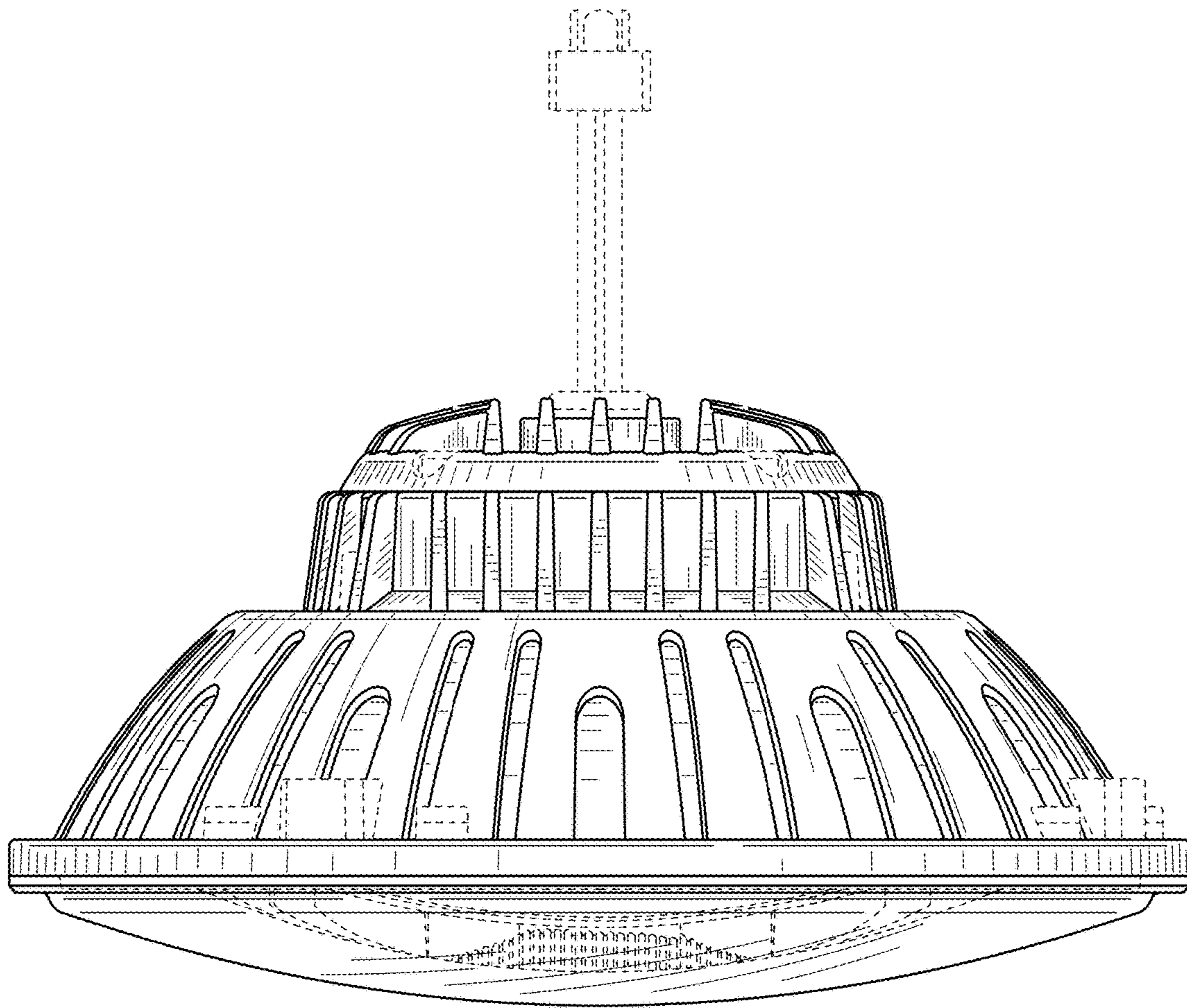


FIG. 14

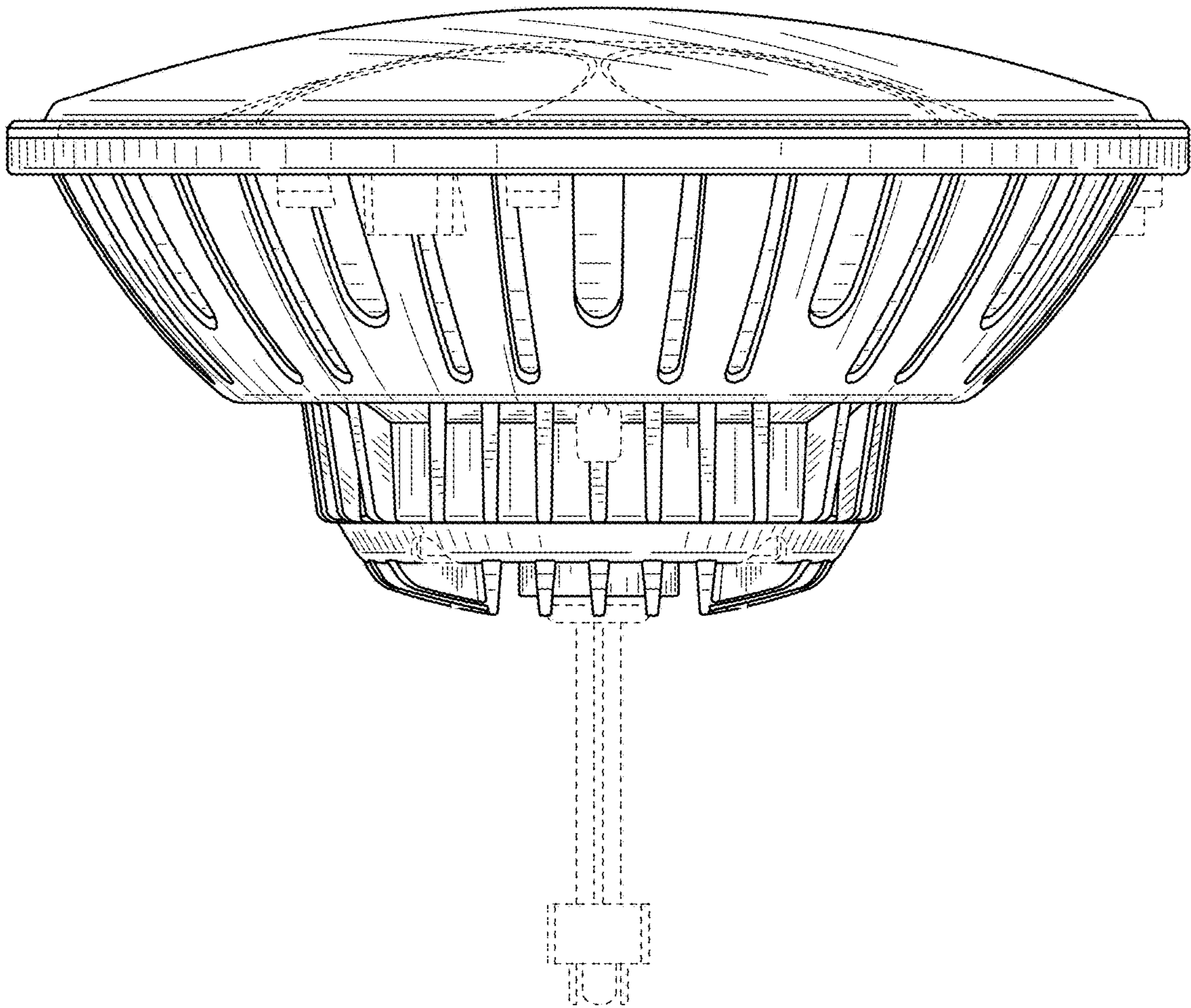


FIG. 15

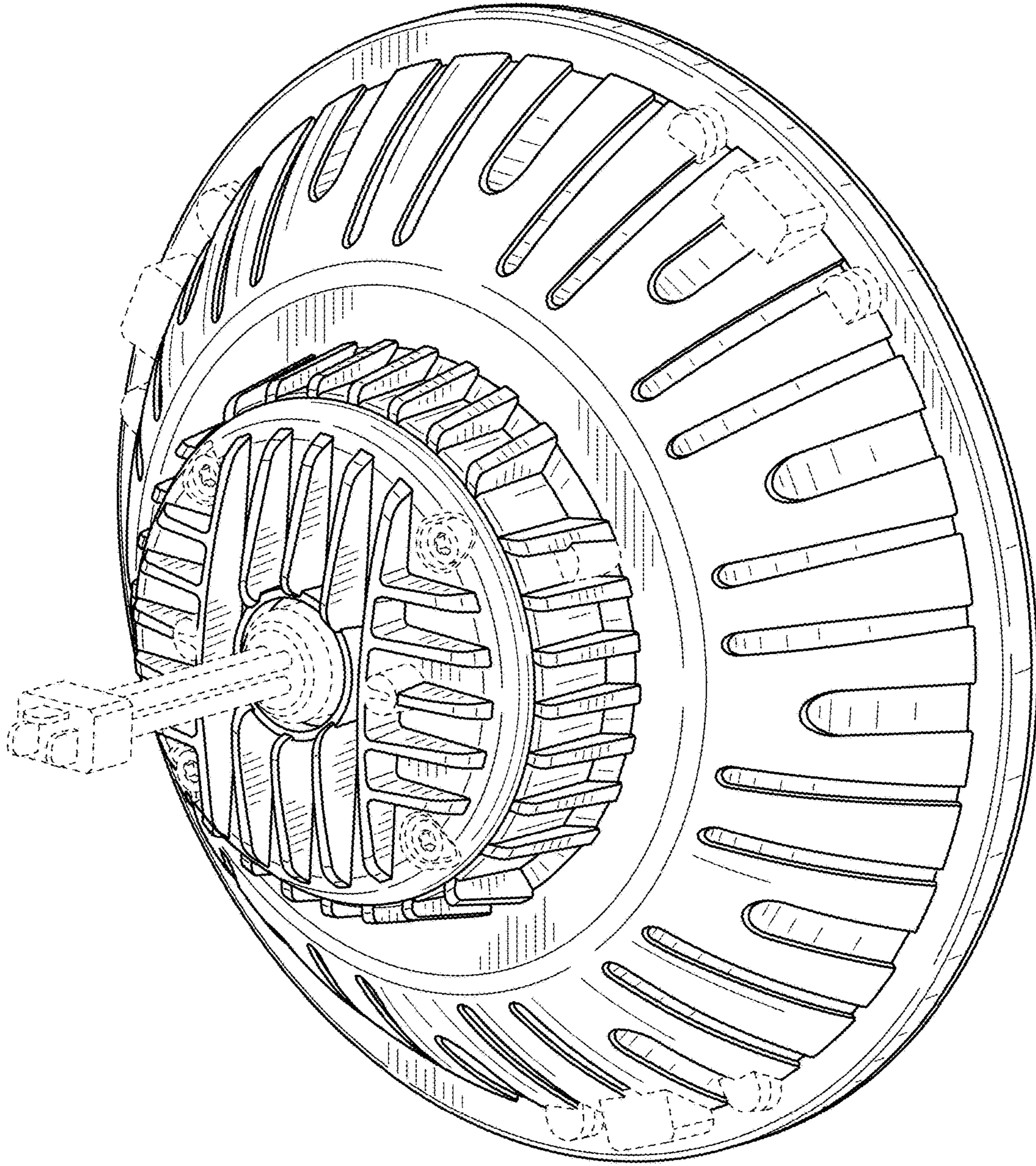


FIG. 16