



US00D809156S

(12) **United States Design Patent**
Gill et al.

(10) **Patent No.:** **US D809,156 S**
(45) **Date of Patent:** **** Jan. 30, 2018**

(54) **MODULAR BUILDING WITH BULKHEADS**

(71) Applicants: **Peter E. Gill**, Tamuning, GU (US);
Peter E. Gill, III, Tamuning, GU (US)

(72) Inventors: **Peter E. Gill**, Tamuning, GU (US);
Peter E. Gill, III, Tamuning, GU (US)

(73) Assignee: **KWIKSPACE GUAM**, Hagatna, GU (US)

(**) Term: **15 Years**

(21) Appl. No.: **29/592,320**

(22) Filed: **Jan. 30, 2017**

Related U.S. Application Data

(63) Continuation-in-part of application No. 14/221,335, filed on Mar. 21, 2014, which is a continuation-in-part of application No. 14/143,057, filed on Dec. 30, 2013, now abandoned, which is a continuation-in-part of application No. 13/870,141, filed on Apr. 25, 2013, now Pat. No. 8,640,396.

(51) **LOC (11) Cl.** **25-01**

(52) **U.S. Cl.**
USPC **D25/32**

(58) **Field of Classification Search**
USPC D25/1, 4, 16, 18, 22, 23, 30, 32, 33, 34;
D34/28
CPC ... E04H 1/005; E04H 1/04; E04H 2001/1283;
E04H 5/02; E04C 3/30; E04C 3/32; E04C
3/34; E04C 3/36; E04B 1/04; E04B 1/18;
E04B 1/20

See application file for complete search history.

(56) **References Cited**

U.S. PATENT DOCUMENTS

2,477,256 A * 7/1949 Kneas E04B 1/30
52/251
3,429,092 A * 2/1969 Hart E04B 1/20
52/236.7

6,625,943 B1 * 9/2003 Renner E04C 3/34
52/250
D637,785 S * 5/2011 Miller D34/28
8,453,414 B2 * 6/2013 Simmons E04B 1/2403
403/169
9,097,017 B1 * 8/2015 Vanlennep E04C 3/34
2001/0003234 A1 * 6/2001 Van Doren E04C 3/34
52/251
2004/0055246 A1 * 3/2004 Powers E04C 3/34
52/742.14
2004/0139690 A1 * 7/2004 Pina E04B 7/022
52/745.15
2009/0159592 A1 * 6/2009 Vitalis B65D 88/125
220/1.5
2012/0047816 A1 * 3/2012 Zhong E04C 3/34
52/11
2013/0067832 A1 * 3/2013 Collins E04B 1/18
52/125.1
2017/0058517 A1 * 3/2017 Mohle E04B 5/48

* cited by examiner

Primary Examiner — Susan Bennett Hattan

Assistant Examiner — Brett Miller

(74) *Attorney, Agent, or Firm* — Donald J. Ersler

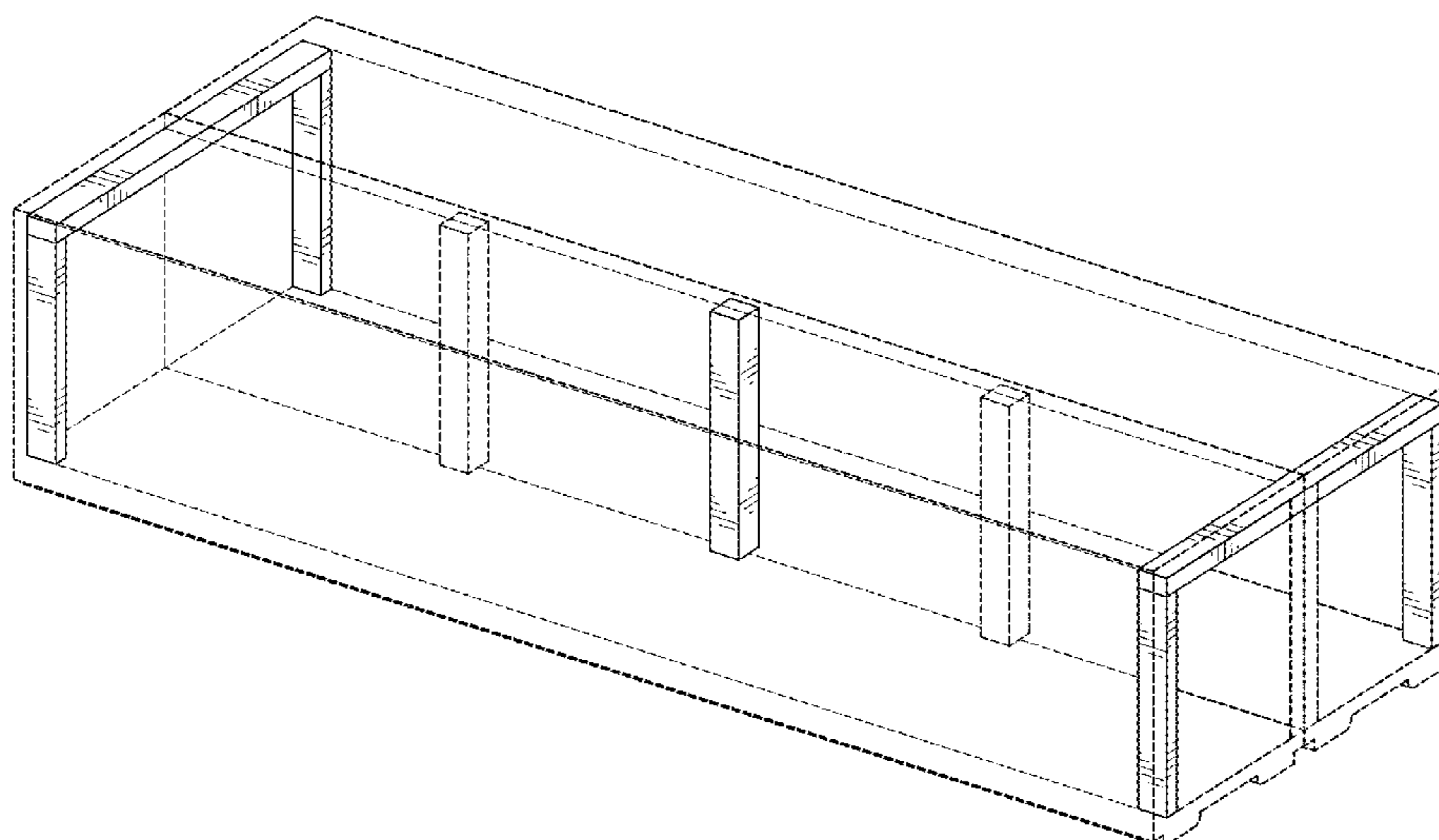
(57) **CLAIM**

The ornamental design for a modular building with bulkheads, as shown and described.

DESCRIPTION

FIG. 1 is a top perspective view of a modular building with bulkheads incorporating our new design;
FIG. 2 is a bottom perspective view thereof;
FIG. 3 is a top plan view thereof;
FIG. 4 is a bottom plan view thereof;
FIG. 5 is a left side or right side view thereof; and,
FIG. 6 is a front view thereof.
The broken lines shown in the drawings illustrate portions of the modular building with bulkheads that forms no part of the claimed invention.

1 Claim, 5 Drawing Sheets



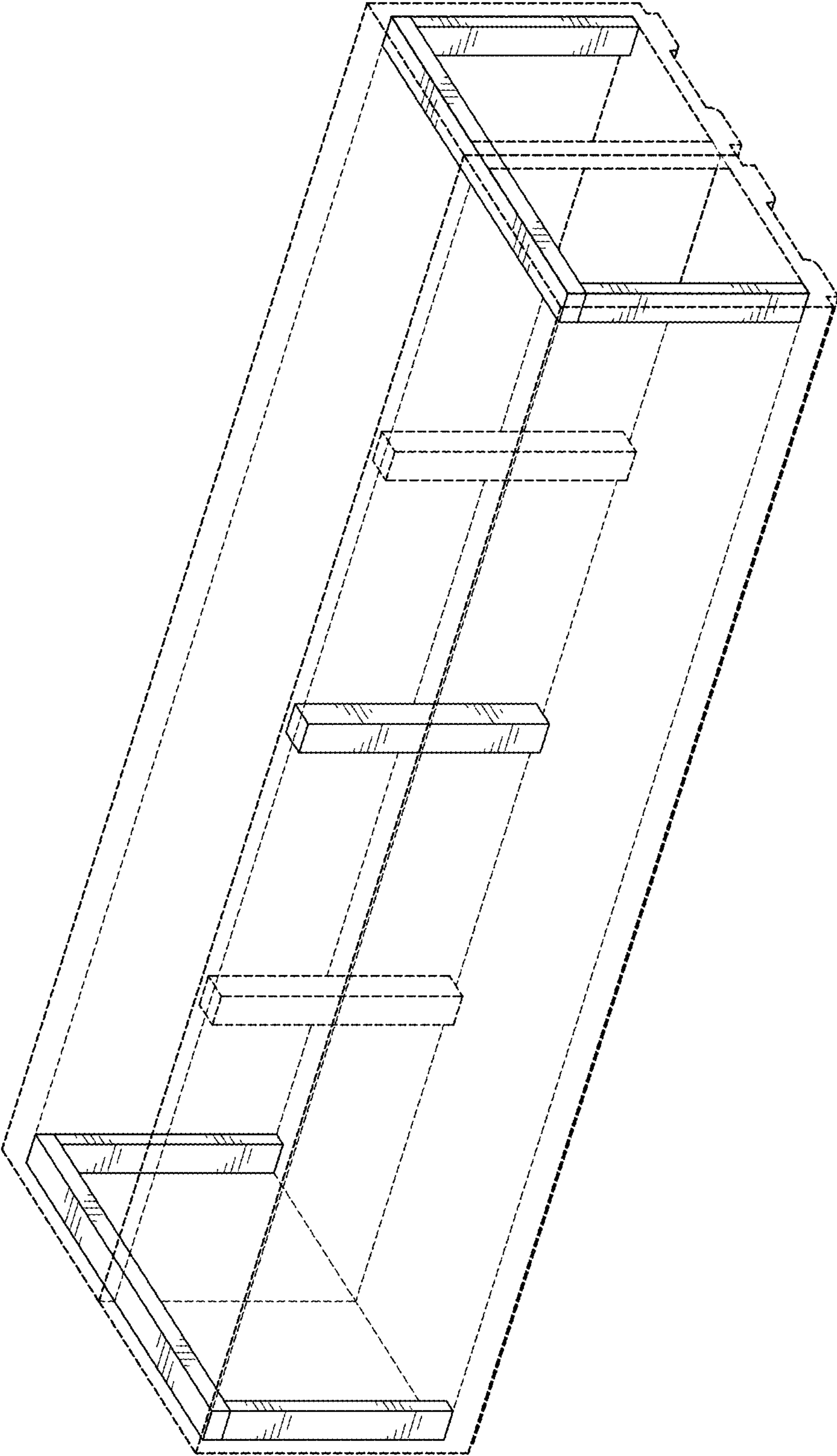


FIG. 1

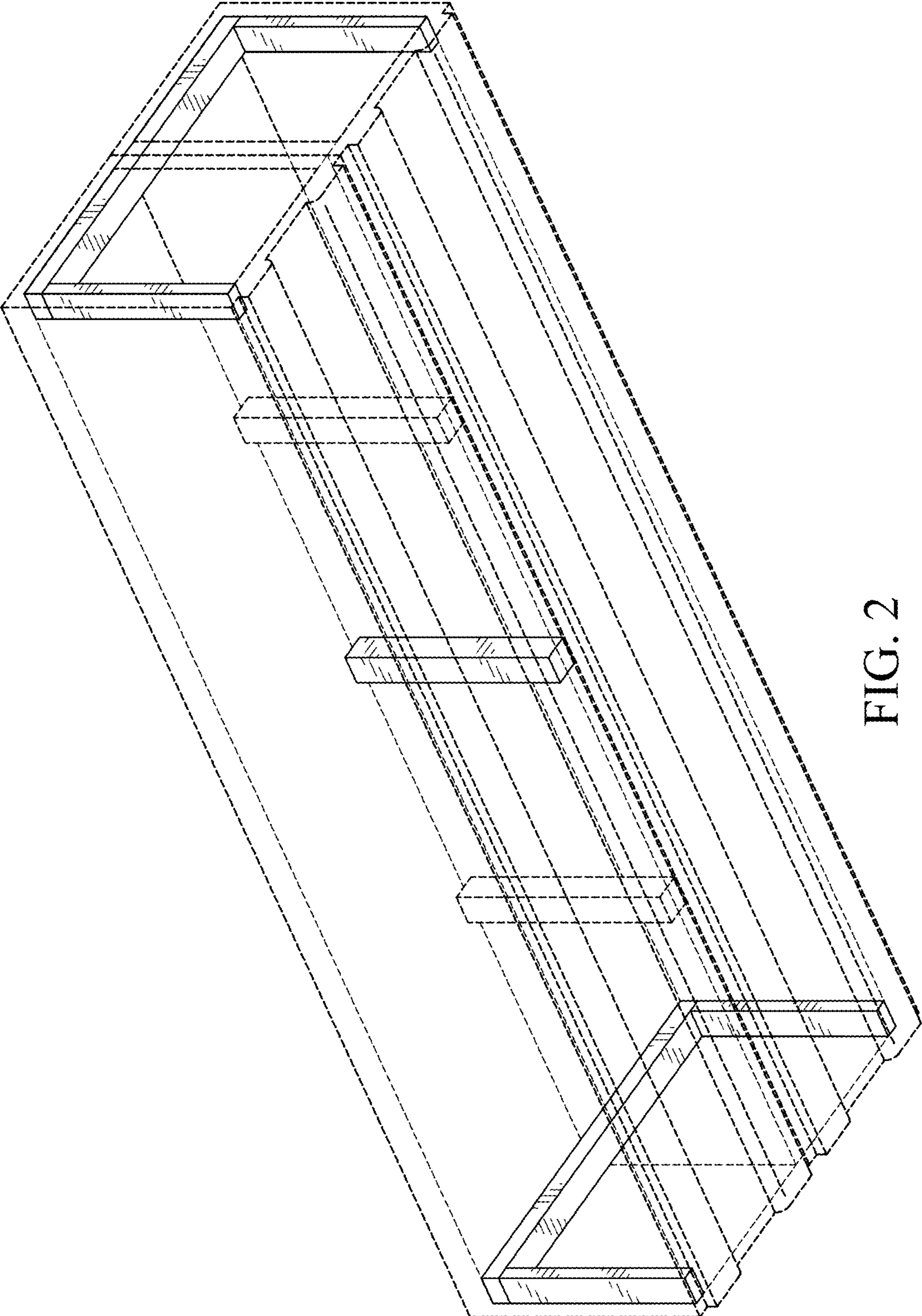


FIG. 2

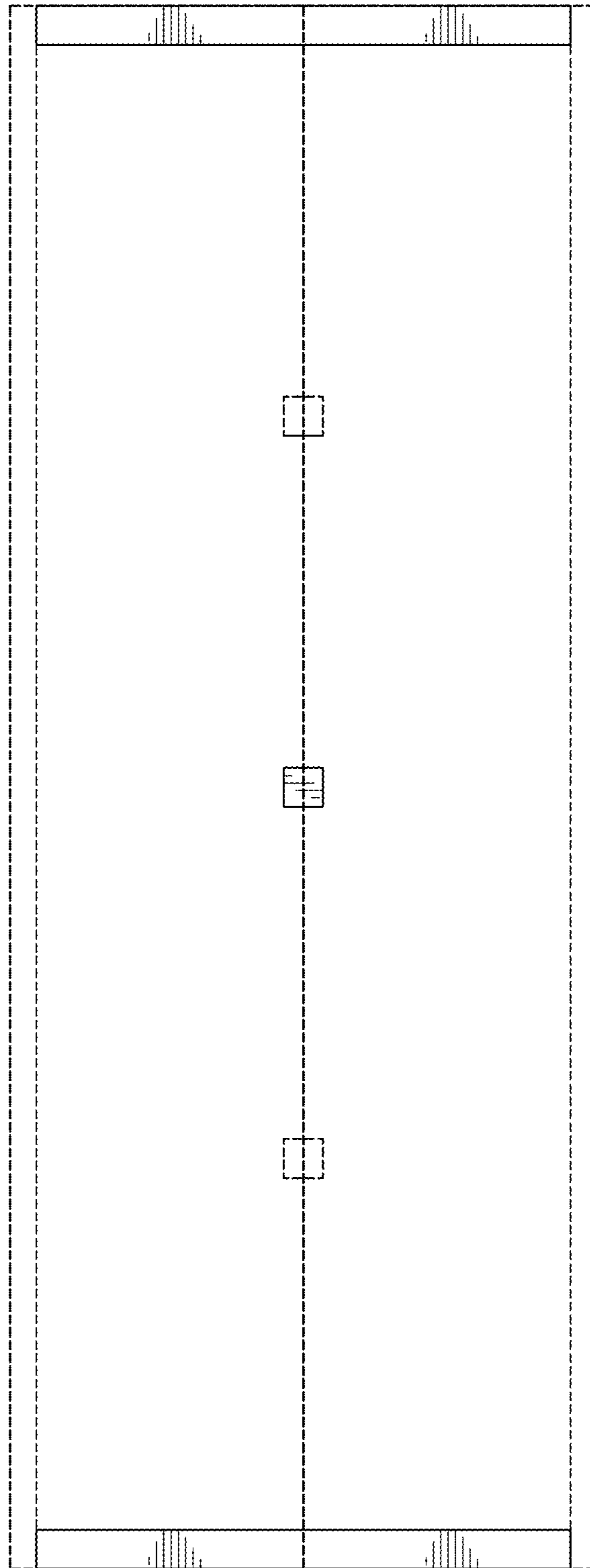


FIG. 3

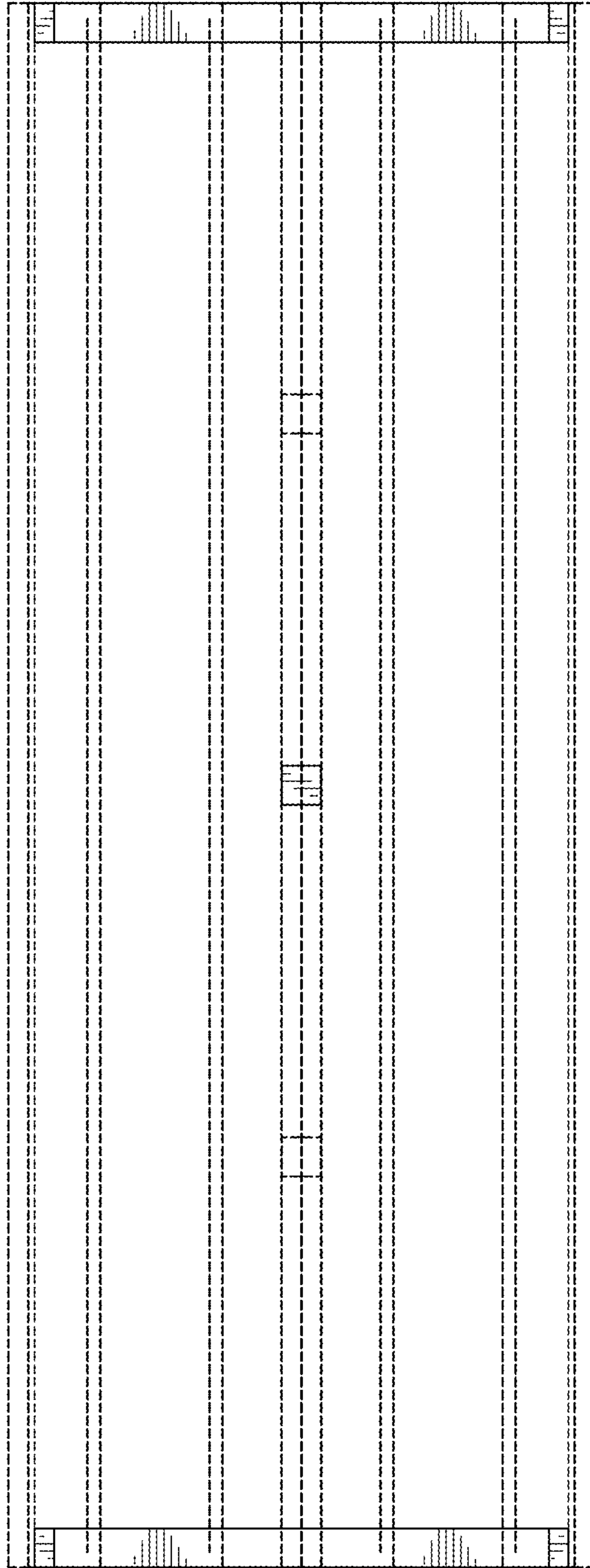


FIG. 4

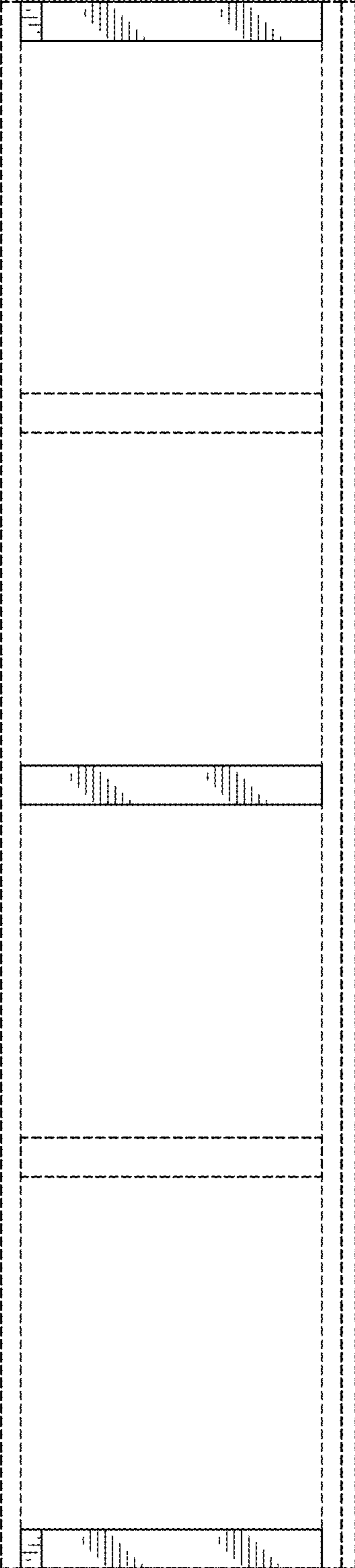


FIG. 5

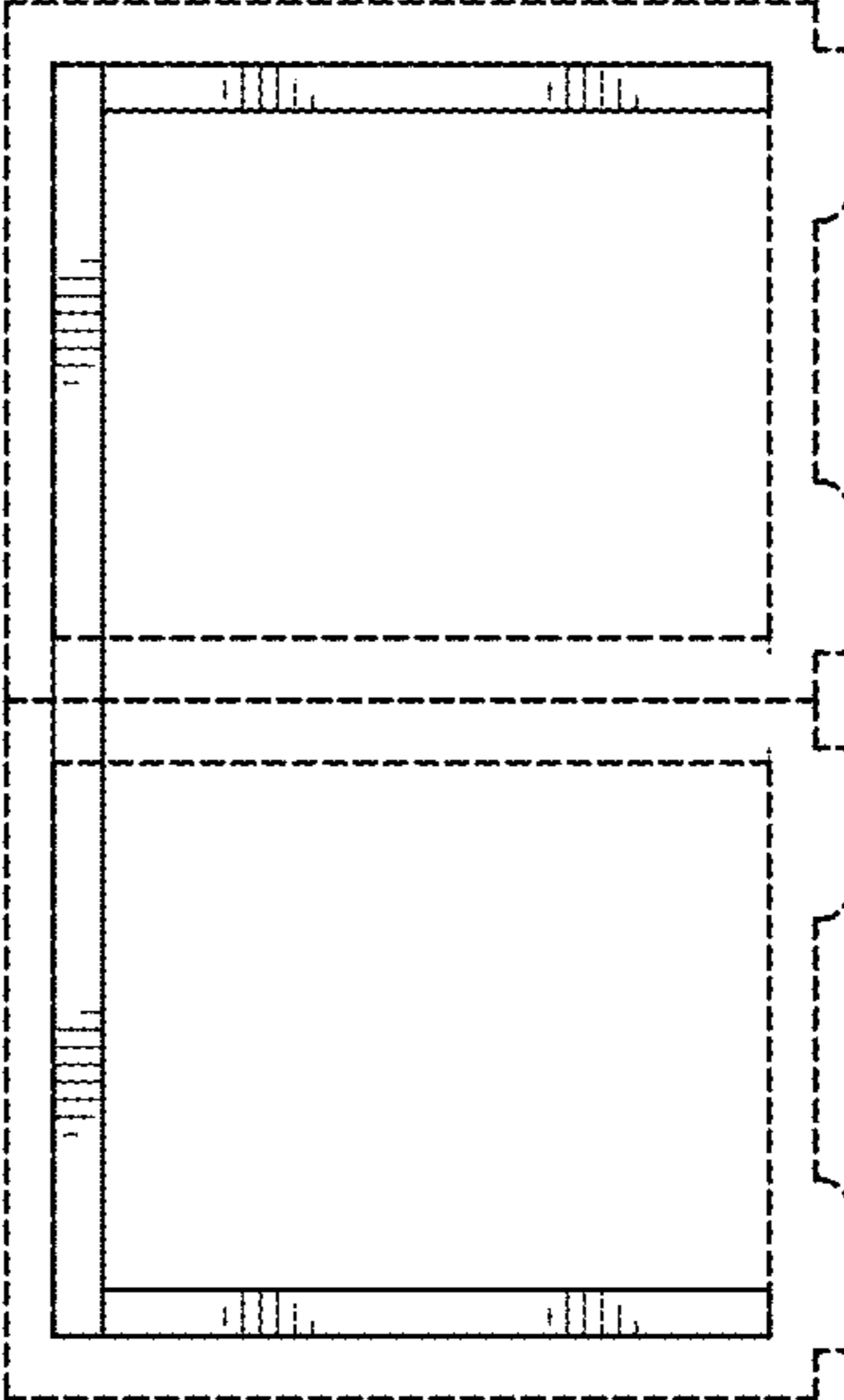


FIG. 6