



US00D809155S

(12) **United States Design Patent**
Balzer

(10) **Patent No.:** **US D809,155 S**
(45) **Date of Patent:** **** Jan. 30, 2018**

(54) **BUILDING**

(71) Applicant: **Corey Balzer**, Orlando, FL (US)

(72) Inventor: **Corey Balzer**, Orlando, FL (US)

(**) Term: **15 Years**

(21) Appl. No.: **29/531,830**

(22) Filed: **Jun. 30, 2015**

(51) **LOC (11) Cl.** **25-03**

(52) **U.S. Cl.**
USPC **D25/11**

(58) **Field of Classification Search**
USPC D25/1-30, 31-34, 35, 55-59; D6/673;
52/33, 29; D21/506-511, 545; D12/308

(Continued)

(56) **References Cited**

U.S. PATENT DOCUMENTS

D86,617 S * 3/1932 Lagios D25/11
D177,673 S * 5/1956 Hrisch D21/545

(Continued)

Primary Examiner — Susan Bennett Hattan

Assistant Examiner — Brett Miller

(74) *Attorney, Agent, or Firm* — Terry M. Sanks, Esq.;
Beusse Wolter Sanks & Maire, PLLC

(57) **CLAIM**

The ornamental design for a building, substantially as shown and described.

DESCRIPTION

FIG. 1 is a front, top, right perspective view of the building, also indicating a close-up view of a selection of rivets located on the surface of the building (which is shown in FIG. 25), in accordance with a first embodiment.

FIG. 2 is a rear, bottom, left perspective view of the building, in accordance with the first embodiment.

FIG. 3 is a top elevation view of the building, in accordance with the first embodiment.

FIG. 4 is a bottom view of the building, in accordance with the first embodiment.

FIG. 5 is a front view of the building, in accordance with the first embodiment.

FIG. 6 is a rear view of the building, in accordance with the first embodiment.

FIG. 7 is a right side view of the building, in accordance with the first embodiment.

FIG. 8 is a left side view of the building, in accordance with the first embodiment.

FIG. 9 is a front top, right perspective view of the building, showing in dashed lines circular windows and a door under a fin, for the purpose of showing environmental structures, in accordance with a second embodiment. The Figure also indicates a detail view is presented in FIG. 26.

FIG. 10 is a rear, bottom, left perspective view of the building showing a circular window in dashed lines for the purpose of showing an environmental structure, in accordance with the second embodiment.

FIG. 11 is a top elevation view of the building showing the top portion of three windows on the right in dashed lines and the top portion of one window on the left in dashed lines for the purpose of showing environmental structures, in accordance with the second embodiment.

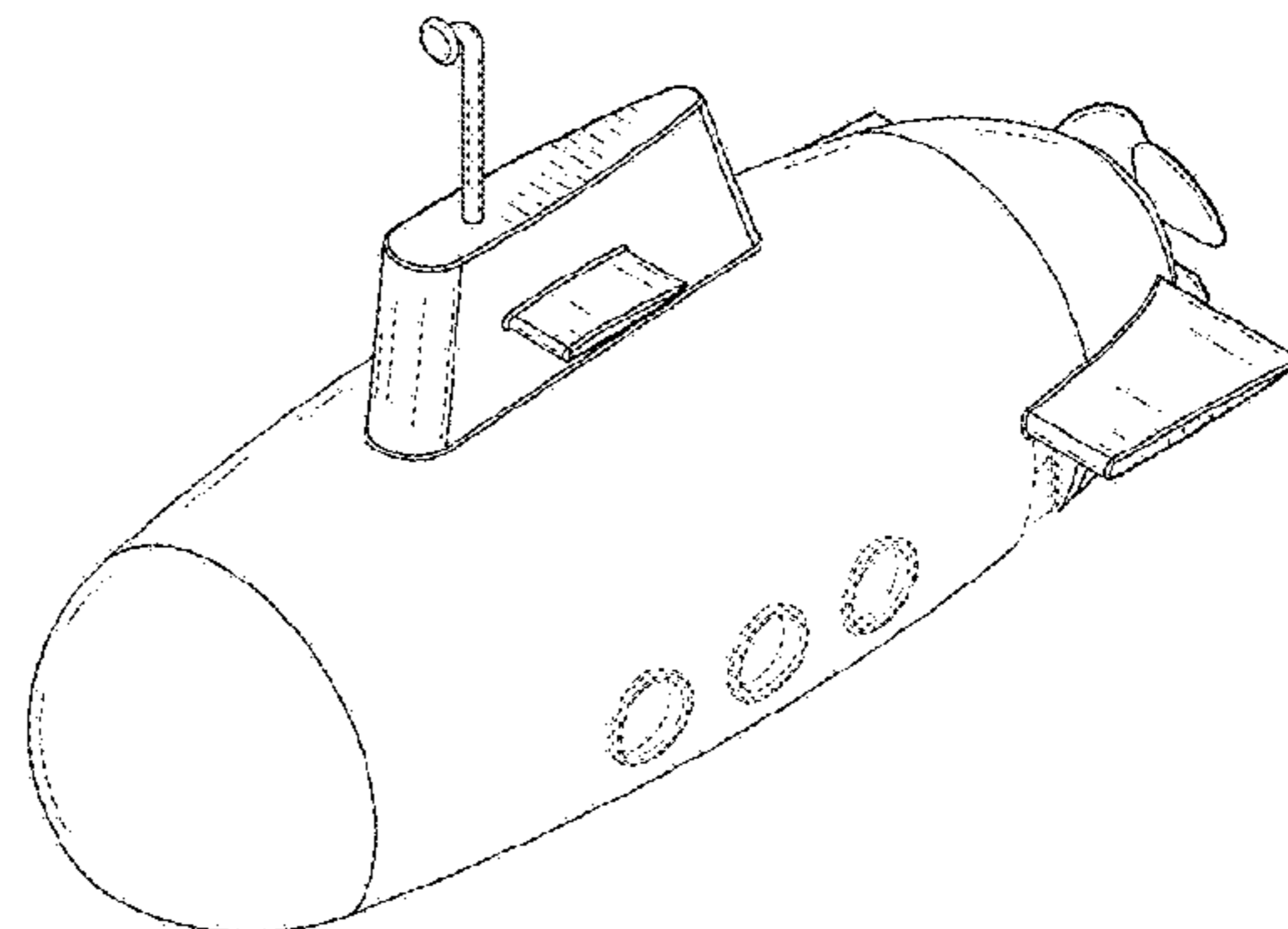
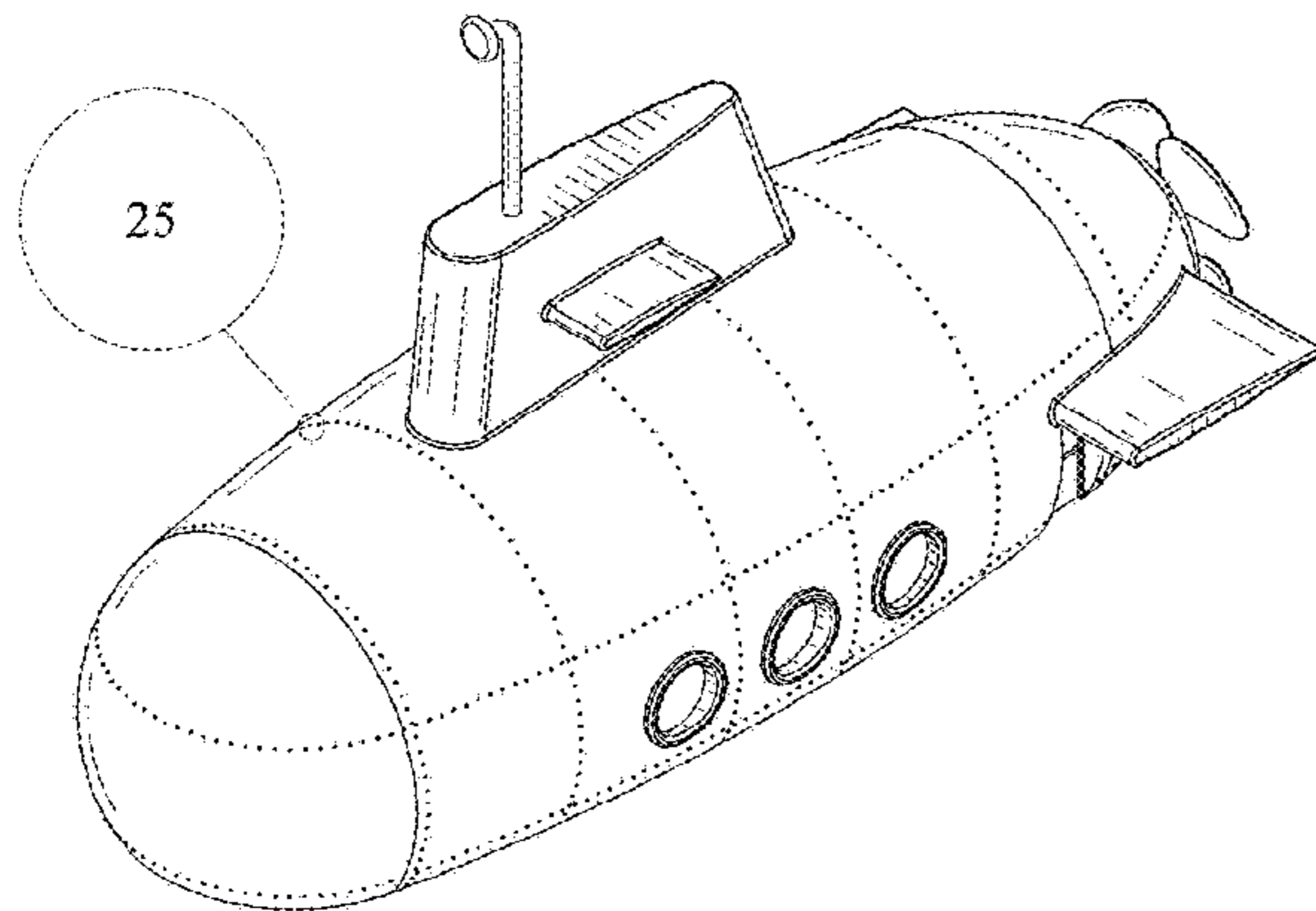
FIG. 12 is a bottom view of the building showing three windows and a door on the right in dashed lines and one window on the left in dashed lines, the dashed lines serving the purpose of showing environmental structures, in accordance with the second embodiment.

FIG. 13 is a front view of the building, showing a side view of windows on the left and right side of the building in dashed lines, the dashed lines serving the purpose of showing environmental structures, in accordance with the second embodiment.

FIG. 14 is a rear view of the Building showing a side view of a window on the left side of the building in dashed lines, for showing an environmental structure, in accordance with the second embodiment.

FIG. 15 is a right side view of the building showing a door and three circular windows in dashed lines, the dashed lines

(Continued)



...serving the purpose of showing environmental structures, in accordance with the second embodiment.

FIG. 16 is a left side view of the building showing a circular window in dashed lines for the purpose of showing an environmental structure, in accordance with the second embodiment.

FIG. 17 is a front top, right perspective view of the building having no rivets on the surface of the building, showing in dashed lines circular windows and a door under a fin, for the purpose of showing environmental structures, in accordance with a third embodiment.

FIG. 18 is a rear, bottom, left perspective view of the building having no rivets on the surface of the building, showing a circular window in dashed lines for the purpose of showing an environmental structure, in accordance with the third embodiment.

FIG. 19 is a top elevation view of the building having no rivets on the surface of the building, showing the top portion of three windows on the right in dashed lines and the top portion of one window on the left in dashed lines for the purpose of showing environmental structures, in accordance with the third embodiment.

FIG. 20 is a bottom view of the building having no rivets on the surface of the building, showing three windows and a door on the right in dashed lines and one window on the left in dashed lines, the dashed lines serving the purpose of showing environmental structures, in accordance with the third embodiment.

FIG. 21 is a front view of the building having no rivets on the surface of the building, showing a side view of windows on the left and right side of the building in dashed lines, the dashed lines serving the purpose of showing environmental structures, in accordance with the third embodiment.

FIG. 22 is a rear view of the building having no rivets on the surface of the building, showing a side view of a window on

the left side of the building in dashed lines for the purpose of showing an environmental structure, in accordance with the third embodiment.

FIG. 23 is a right side view of the building having no rivets on the surface of the building, showing a door and three circular windows in dashed lines, the dashed lines serving the purpose of showing environmental structures, in accordance with the third embodiment.

FIG. 24 is a left side view of the building having no rivets on the surface of the building, showing a circular window in dashed lines for the purpose of showing an environmental structure, in accordance with the third embodiment.

FIG. 25 is a detail view of the rivets shown in FIG. 1, in accordance with the first embodiment; and,

FIG. 26 is a detail view of the rivets shown in FIG. 9, in accordance with the second embodiment.

1 Claim, 22 Drawing Sheets

(58) **Field of Classification Search**

CPC E04H 1/04; E04H 1/06; E04H 3/02; E04H 3/04; E04H 1/12; E04H 1/1205; E04H 1/1222

See application file for complete search history.

(56) **References Cited**

U.S. PATENT DOCUMENTS

D190,127	S	*	4/1961	Fowler	D12/308
D205,812	S	*	9/1966	Ulbrich	D12/308
D222,531	S	*	11/1971	Cooper	D25/11
D249,963	S	*	10/1978	Cosentino	D25/11
D250,772	S	*	1/1979	Leamont	D25/11
D256,484	S	*	8/1980	Kupperman	D21/545
D733,634	S	*	7/2015	De Camargo Aranha ...	D12/308

* cited by examiner

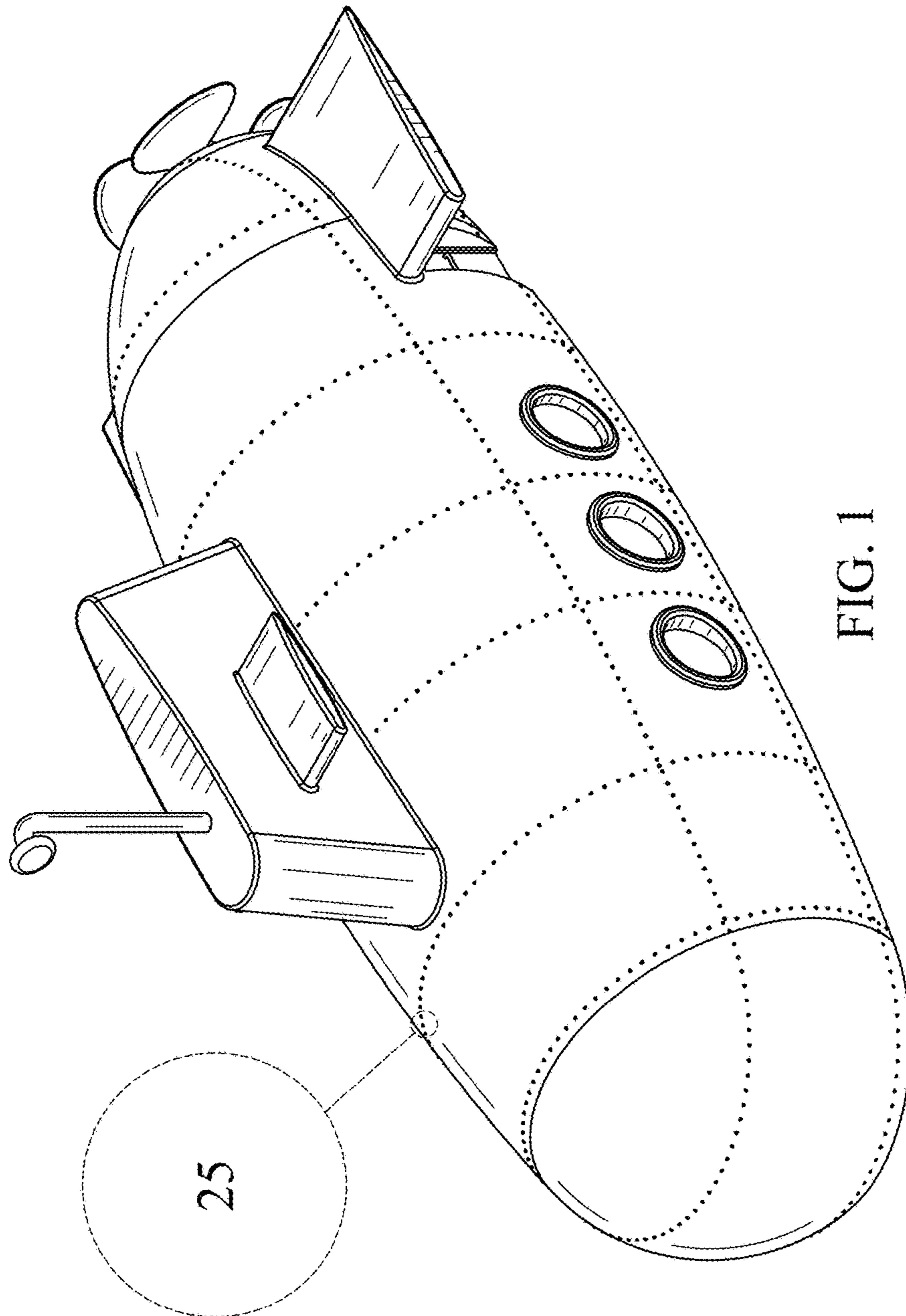


FIG. 1

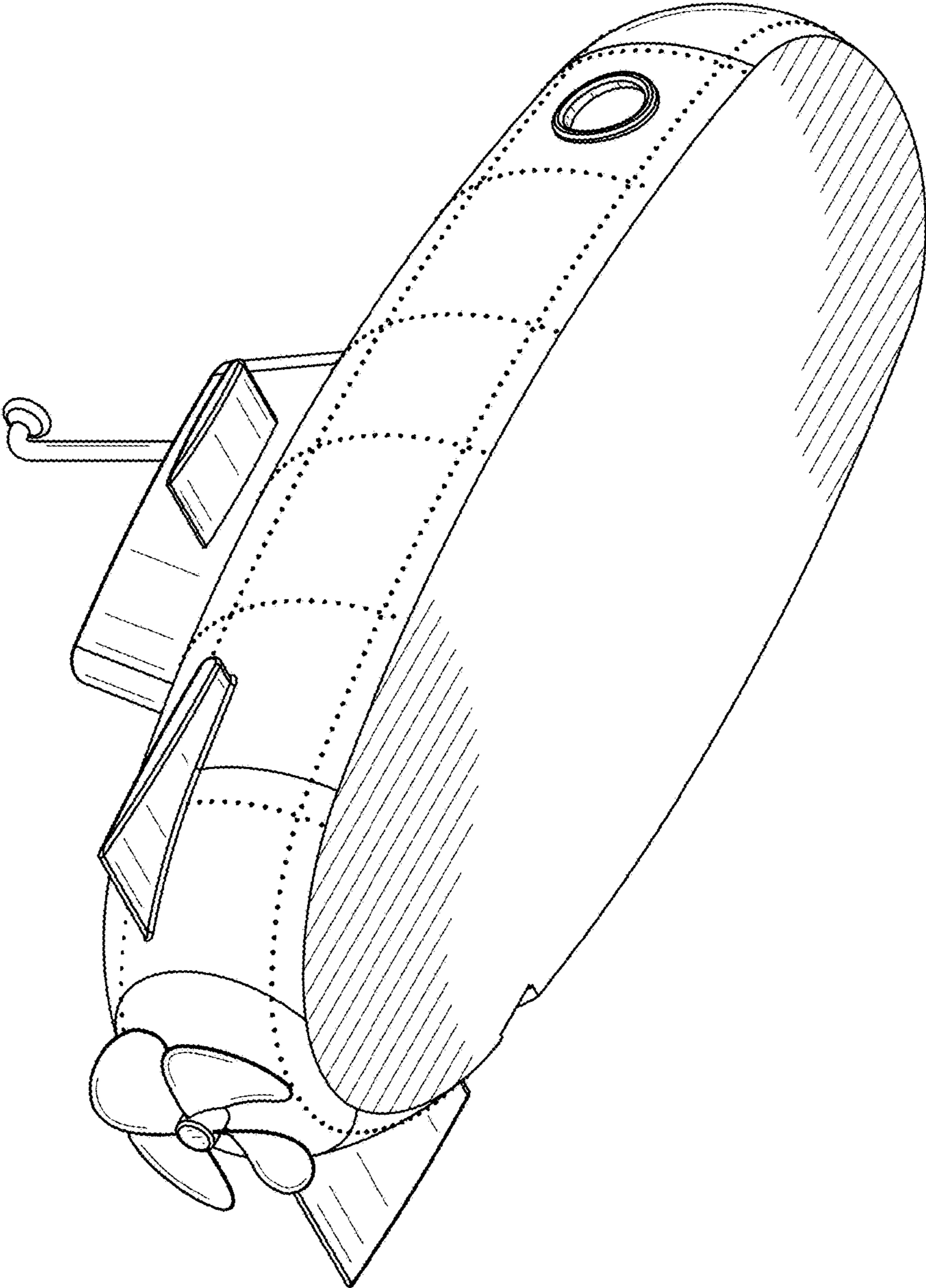


FIG. 2

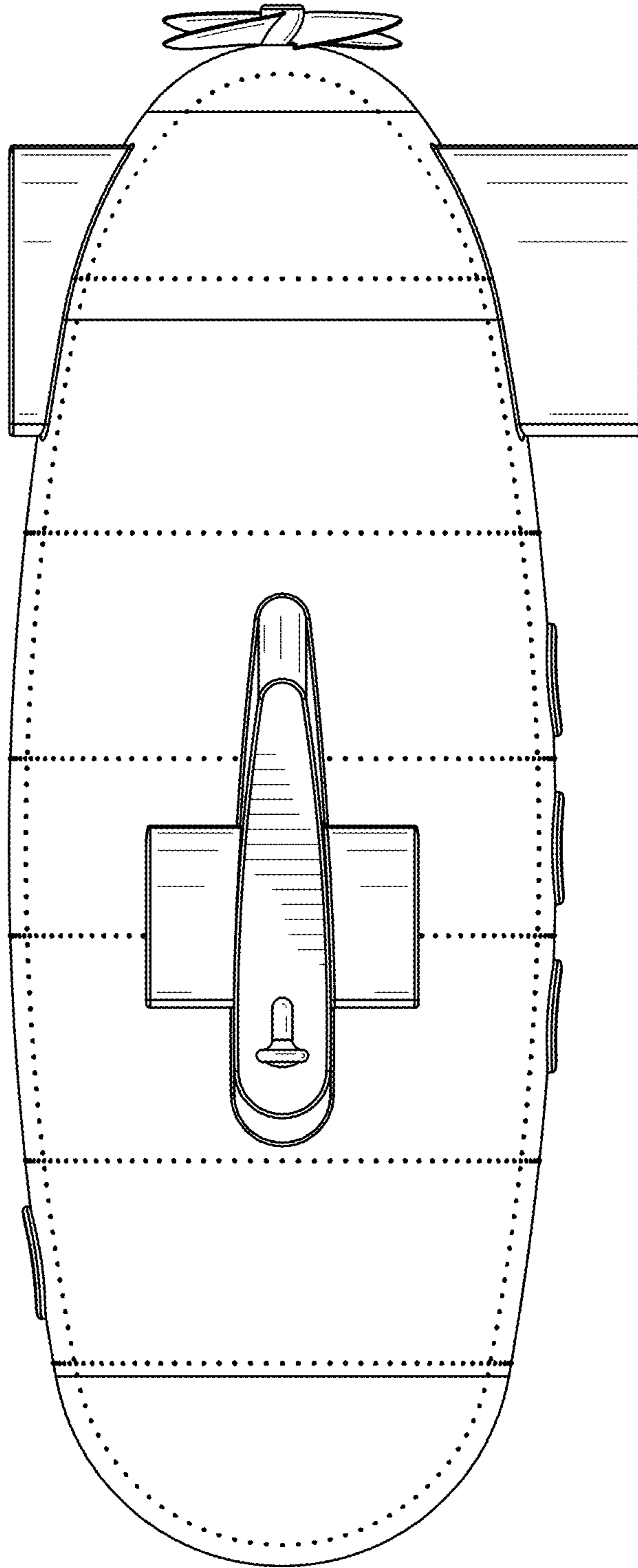


FIG. 3

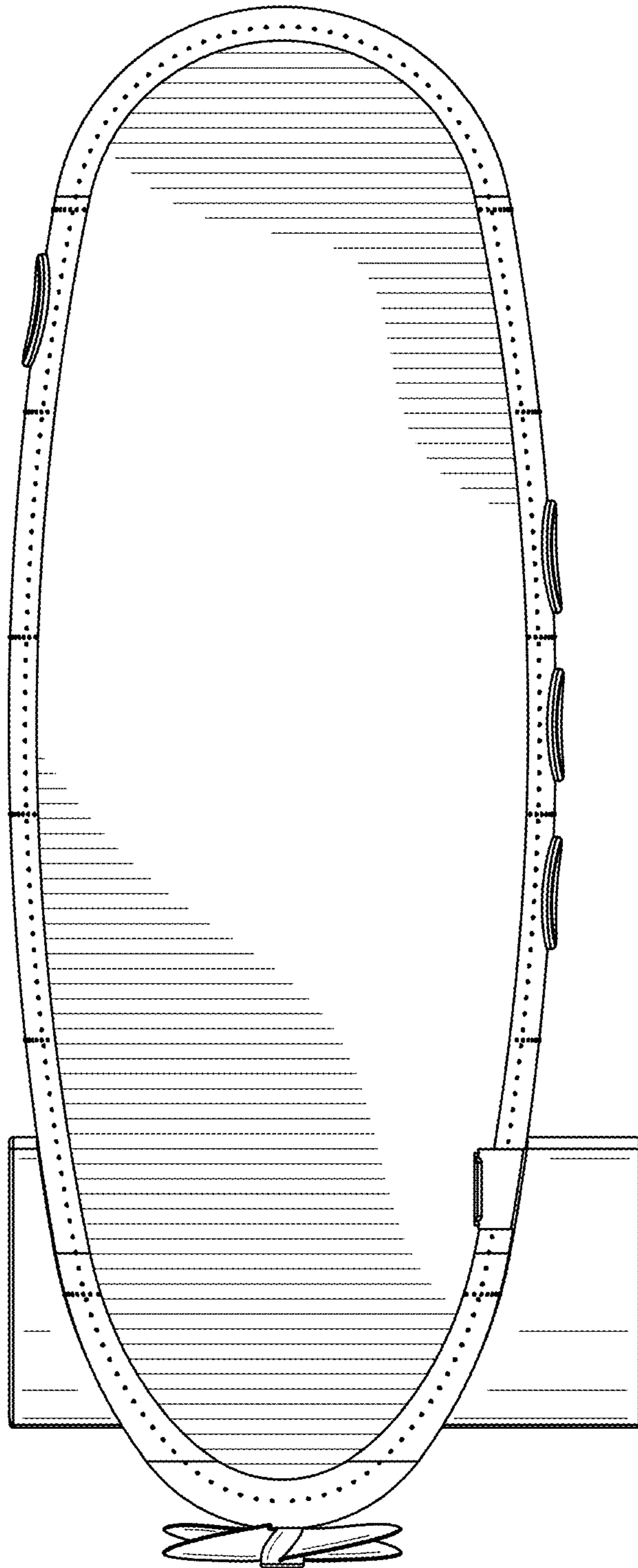


FIG. 4

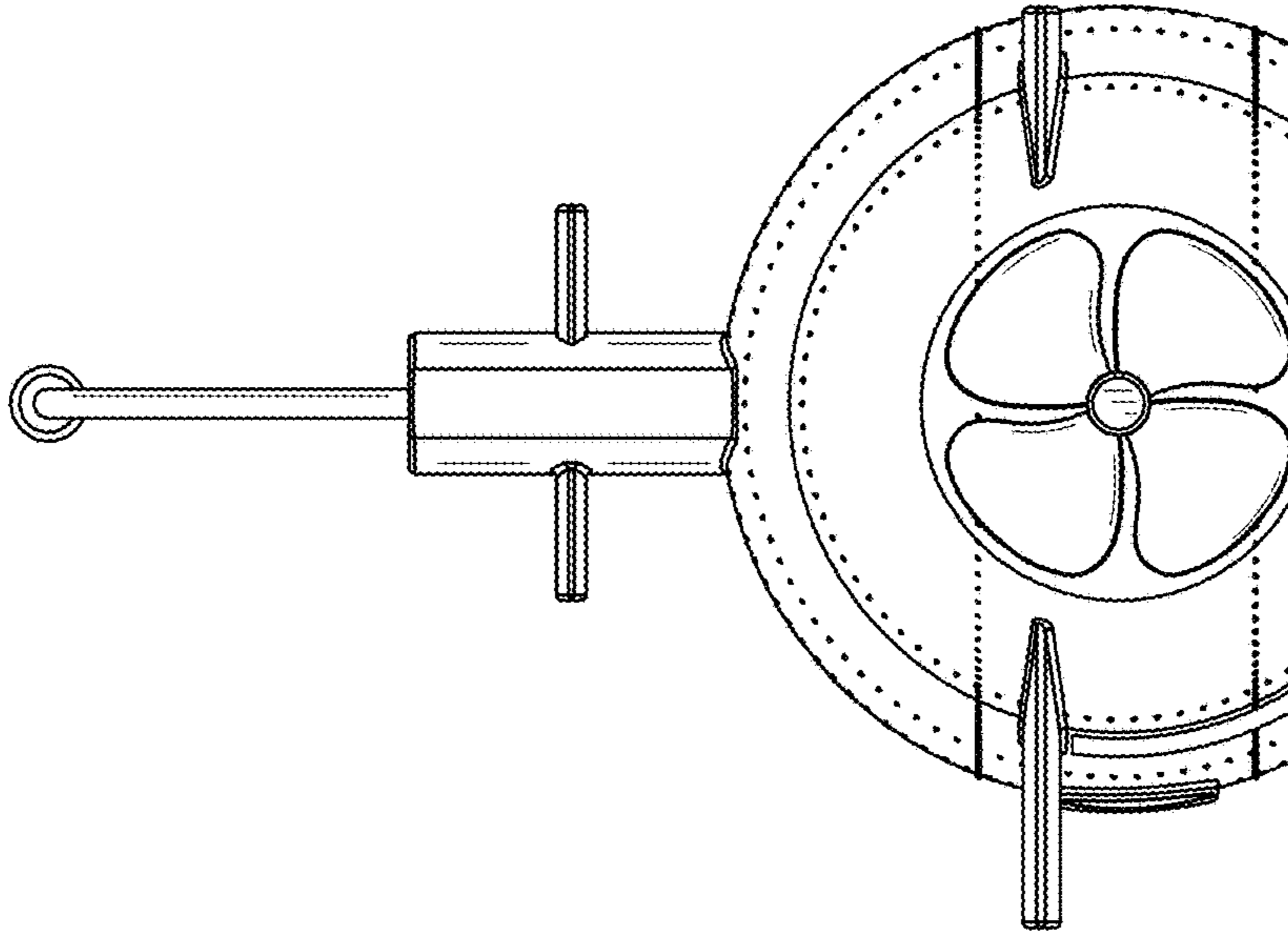


FIG. 6

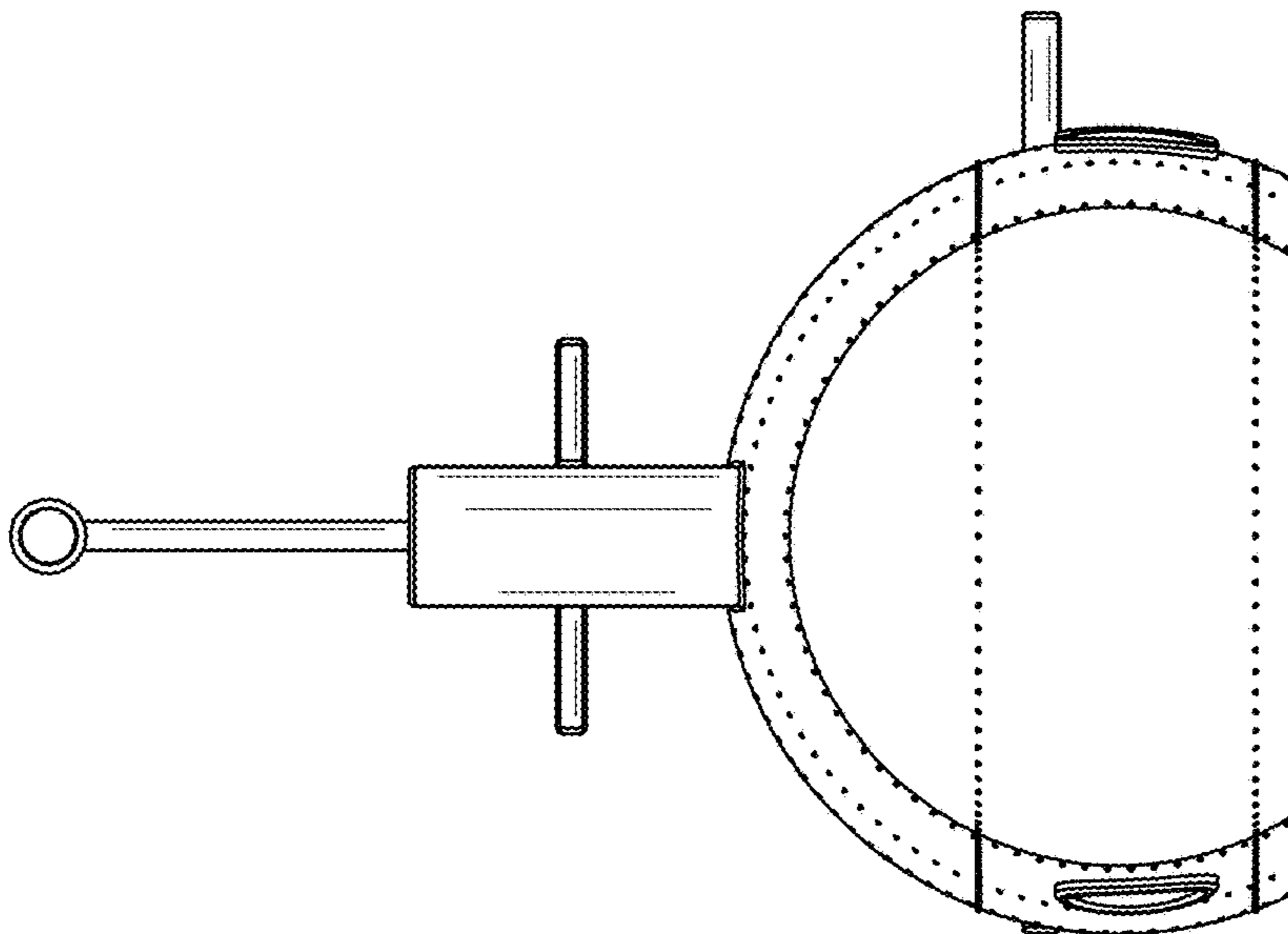


FIG. 5

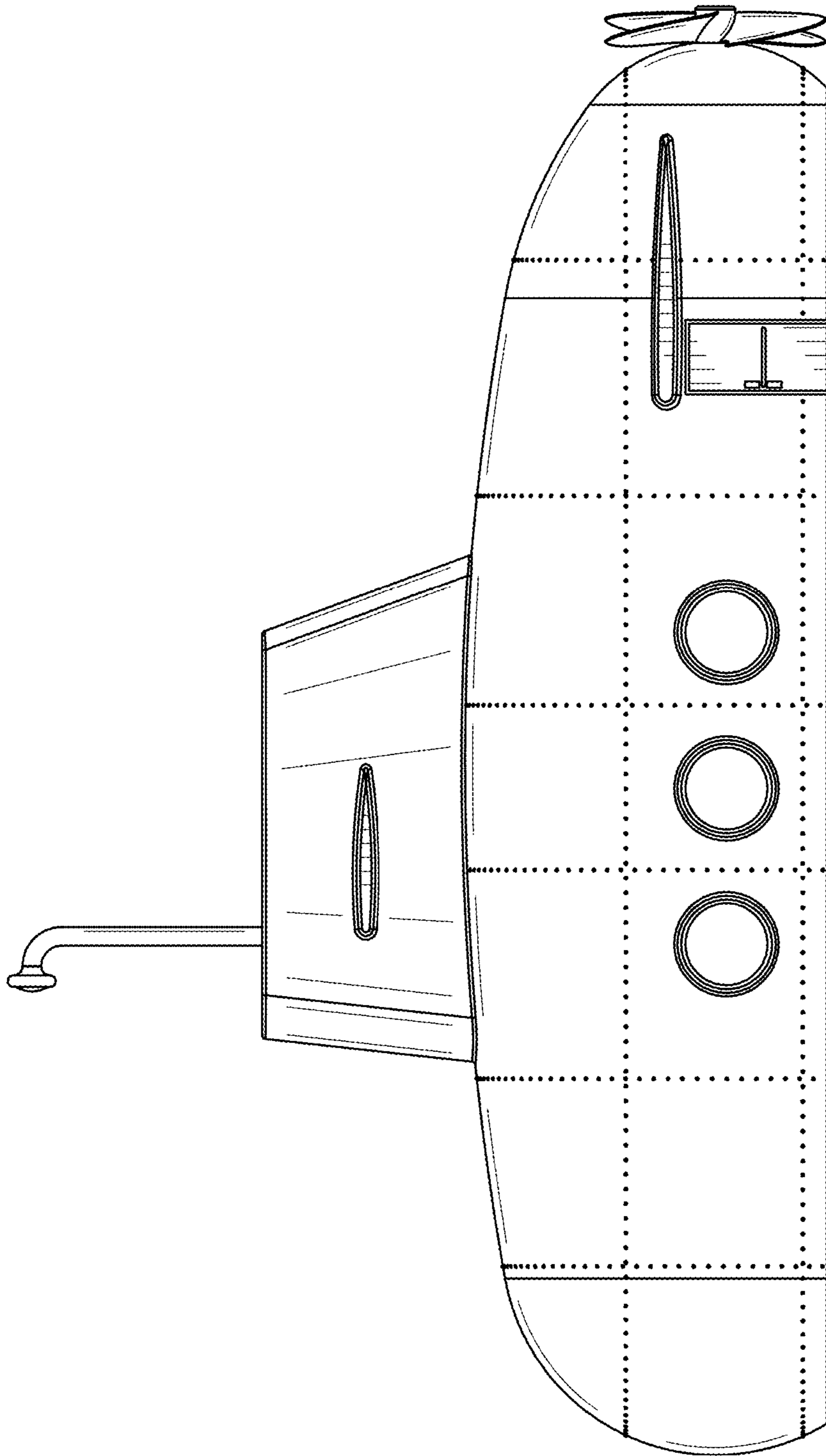


FIG. 7

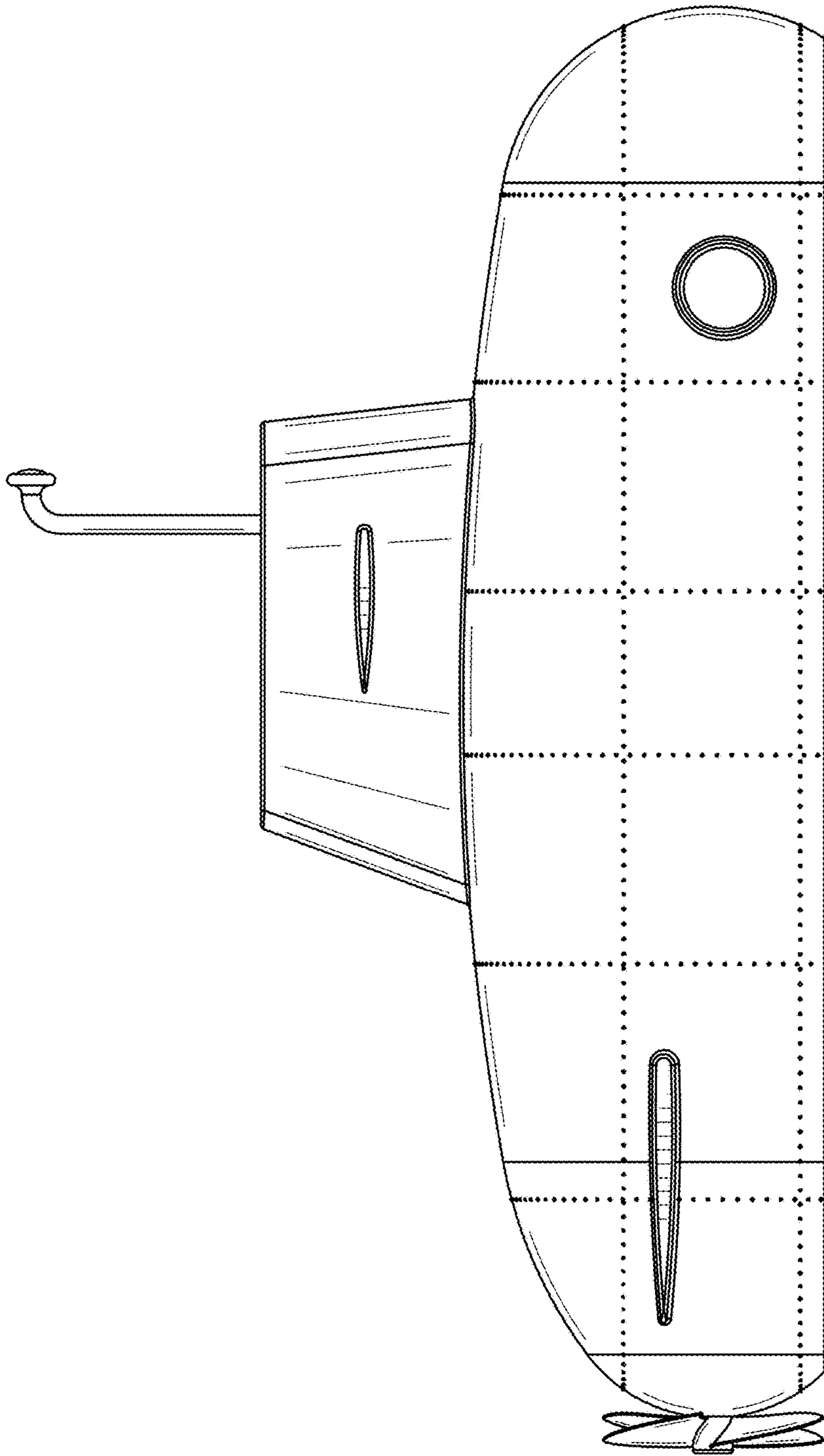


FIG. 8

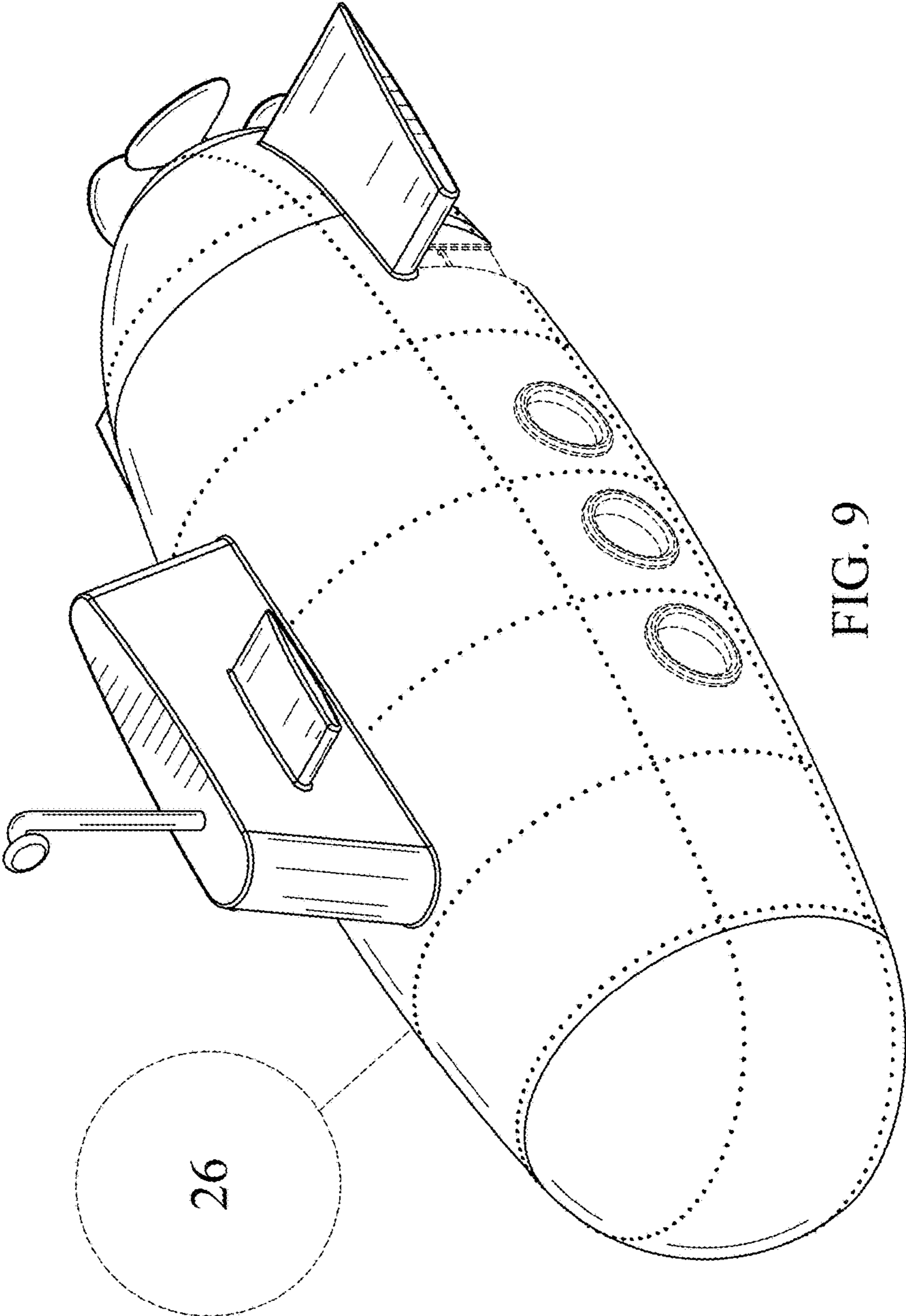


FIG. 9

26

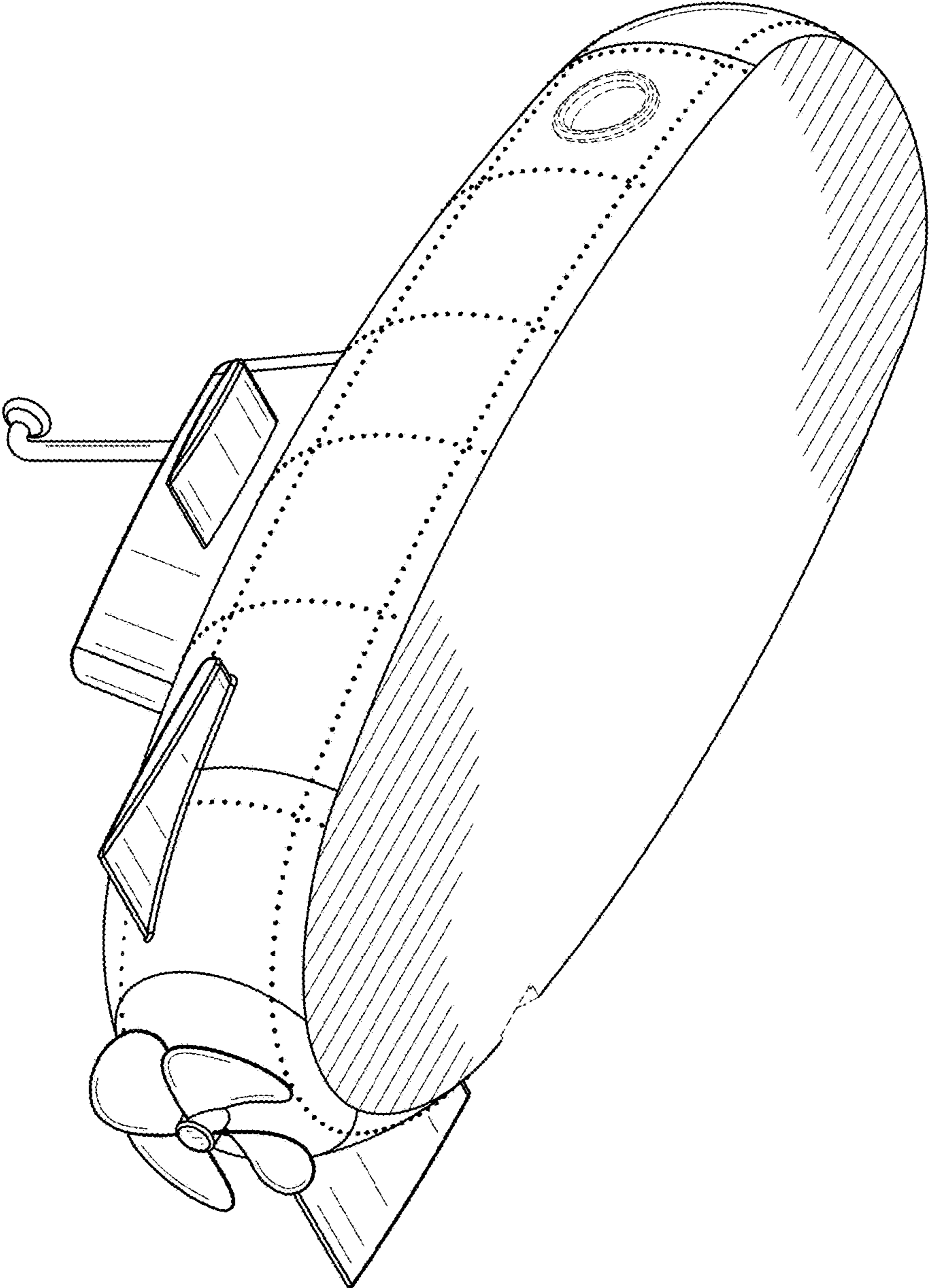


FIG. 10

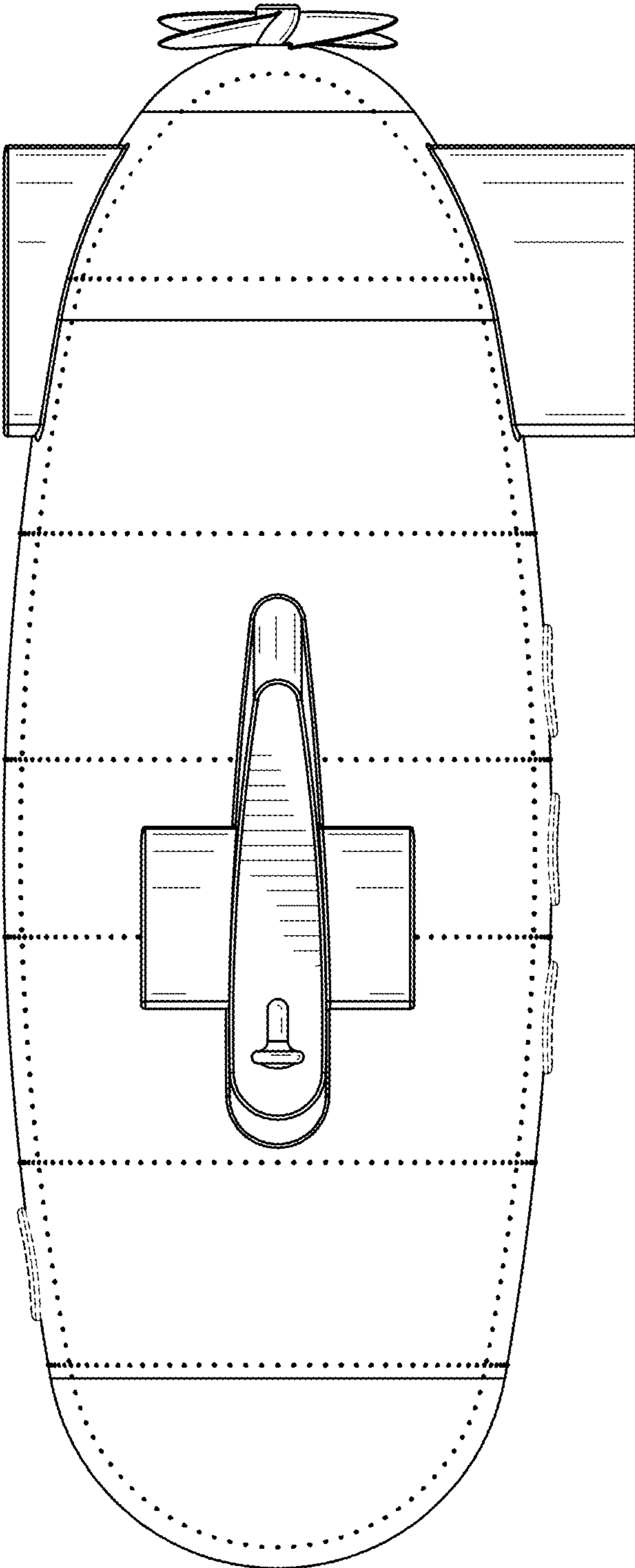


FIG. 11

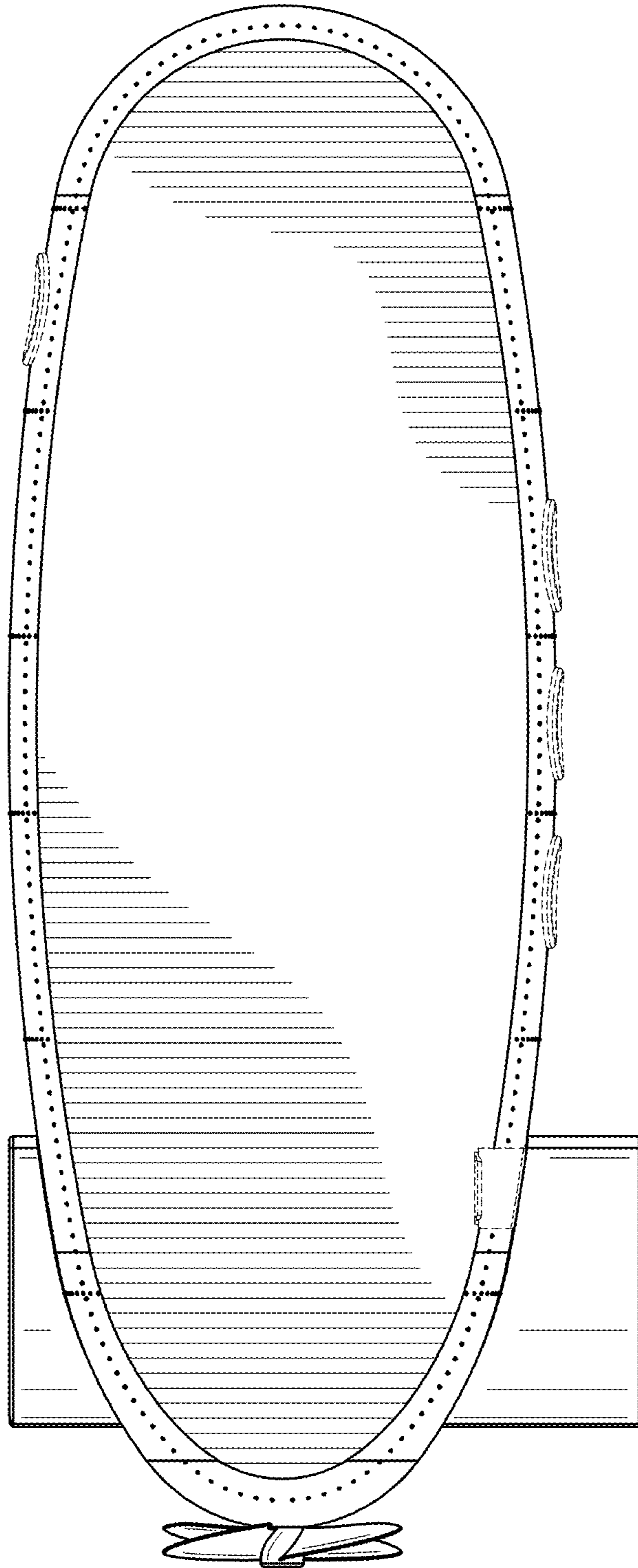


FIG. 12

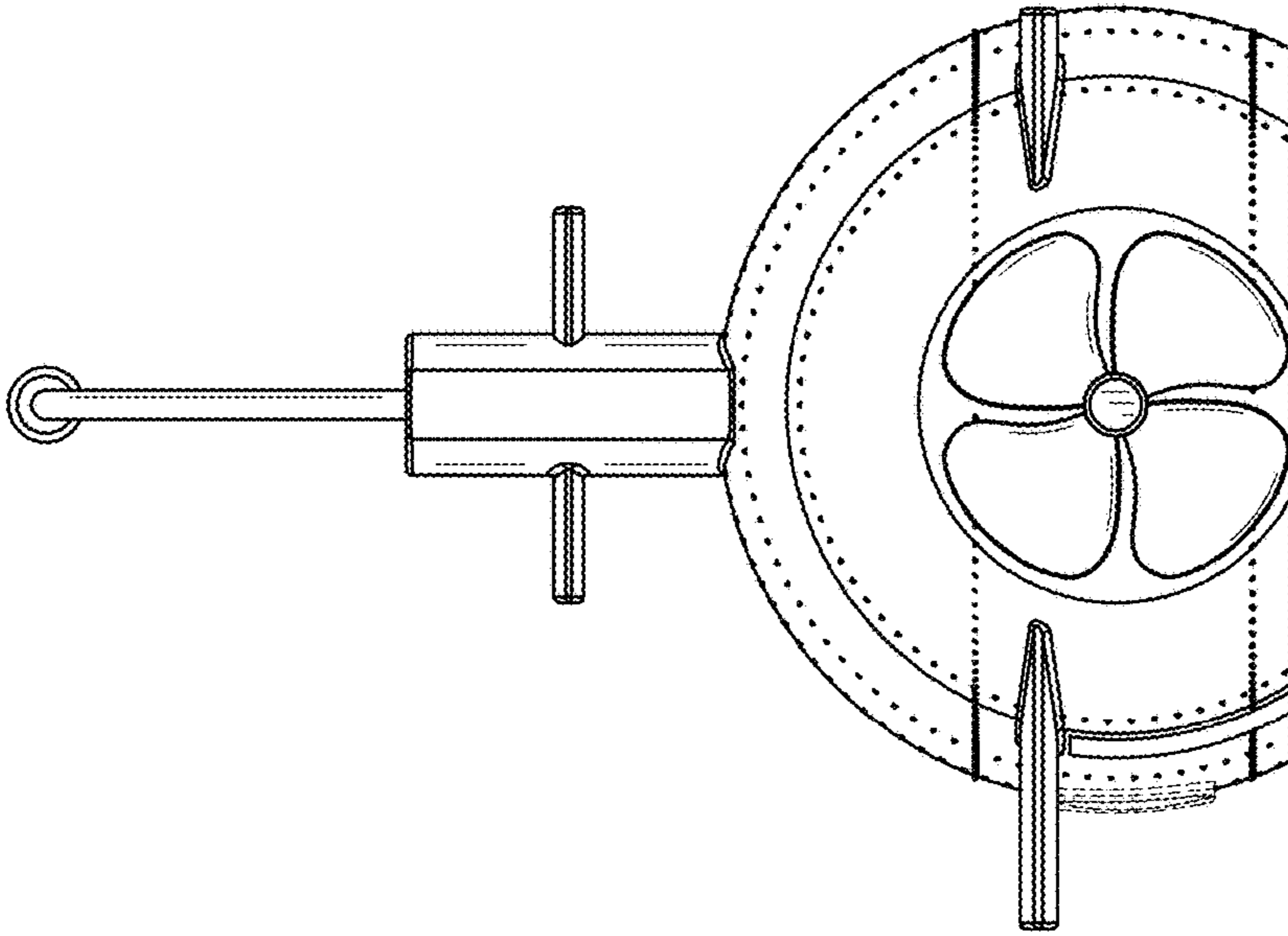


FIG. 14

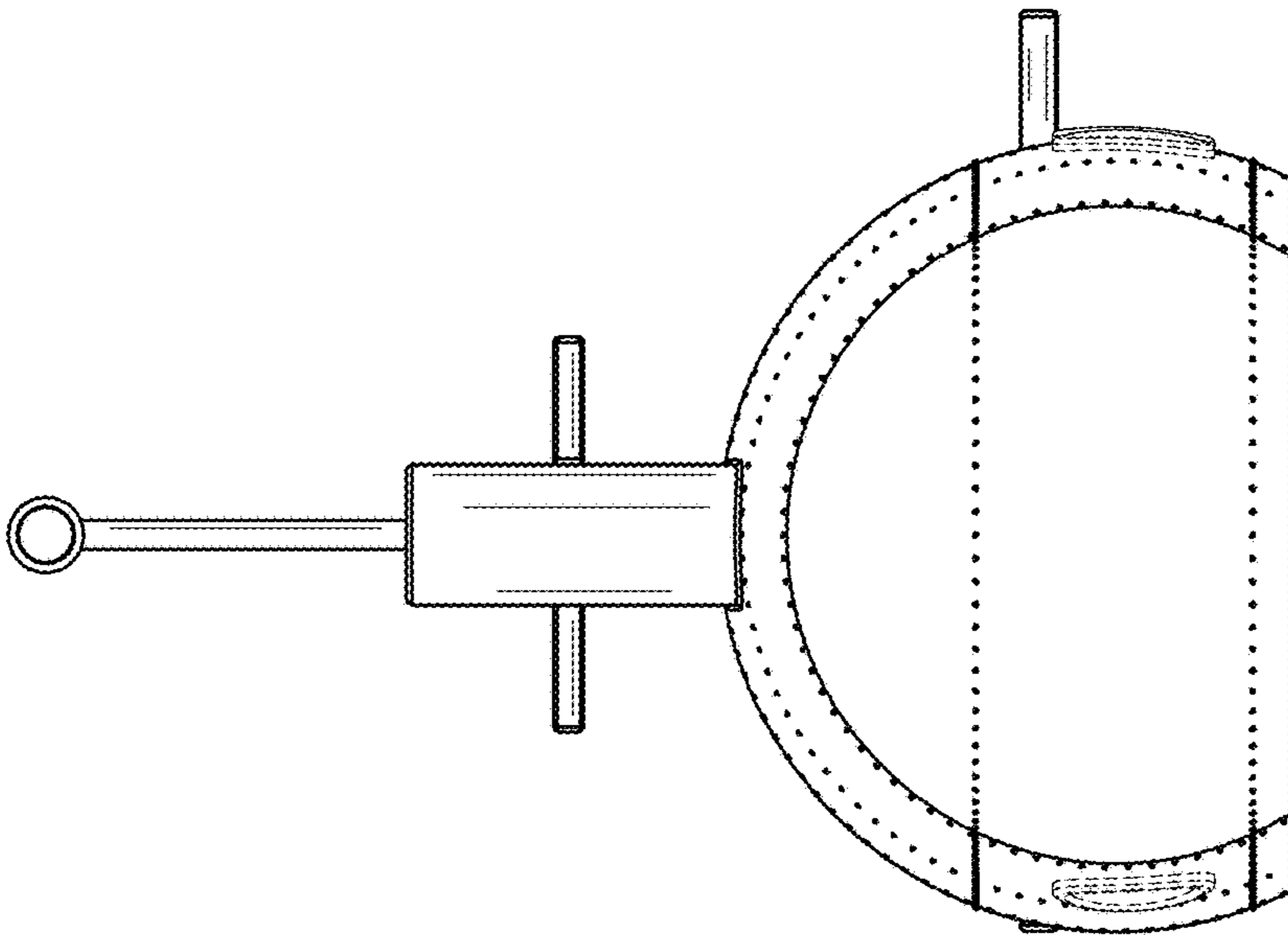


FIG. 13

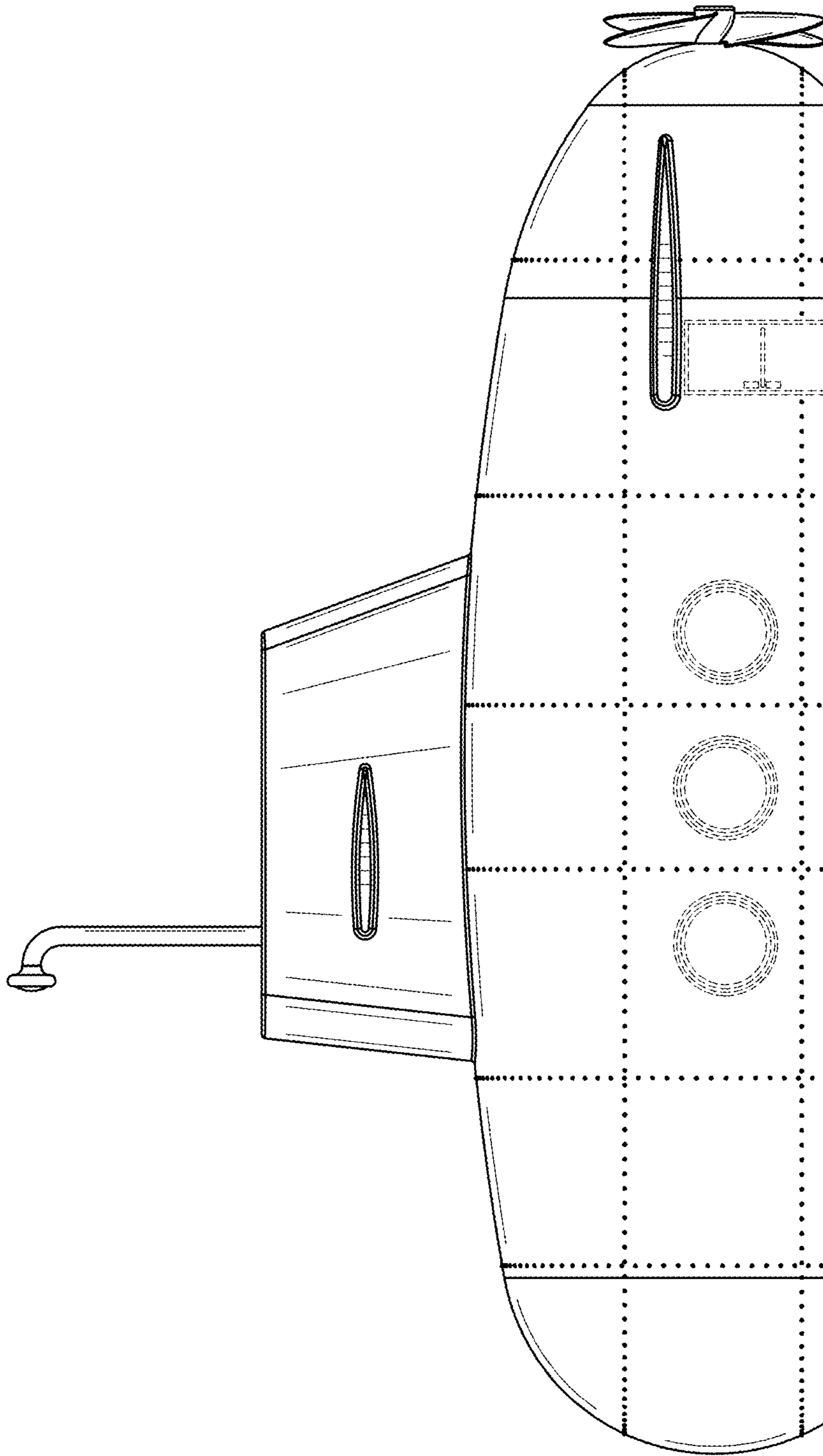


FIG. 15

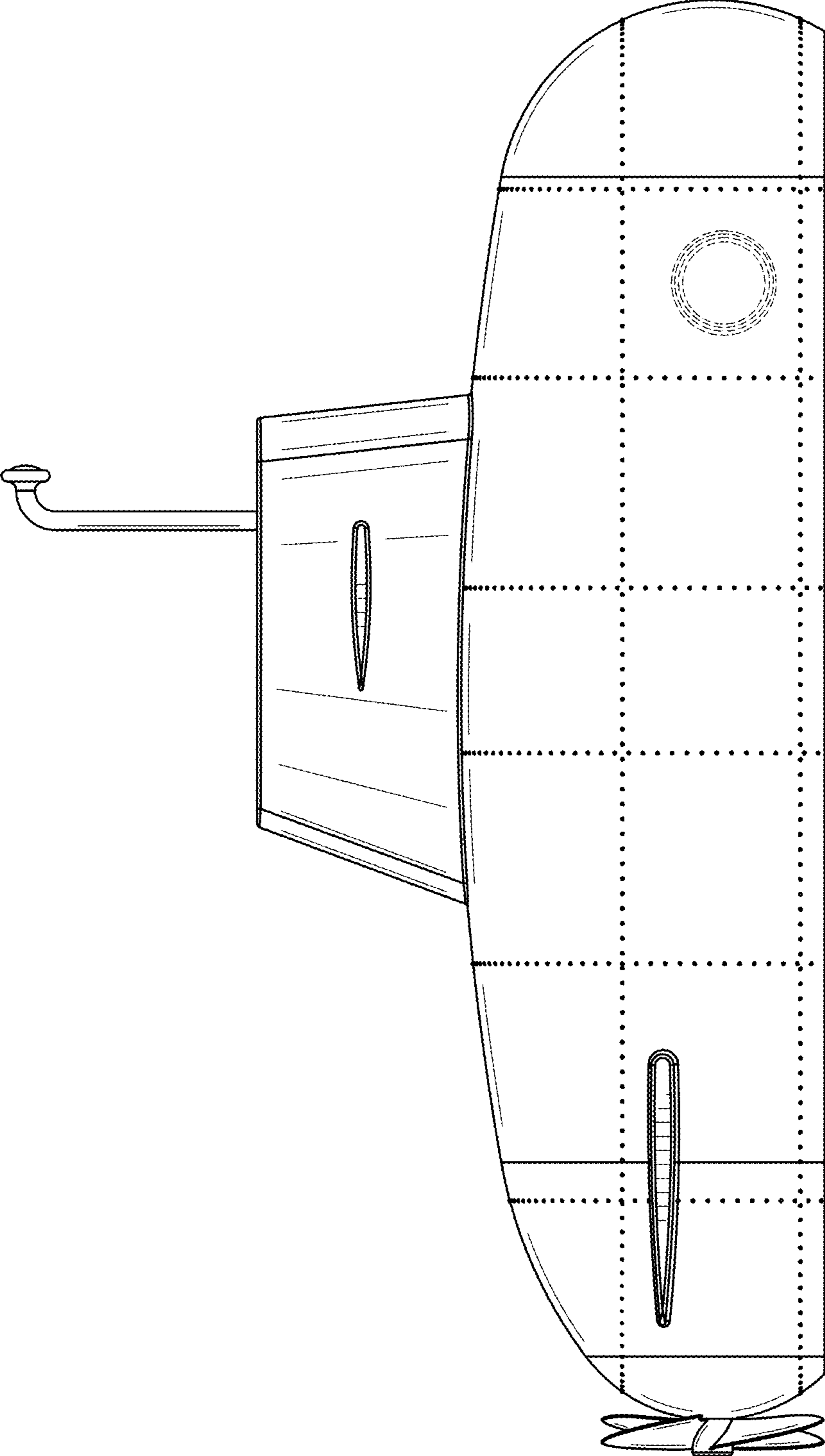


FIG. 16

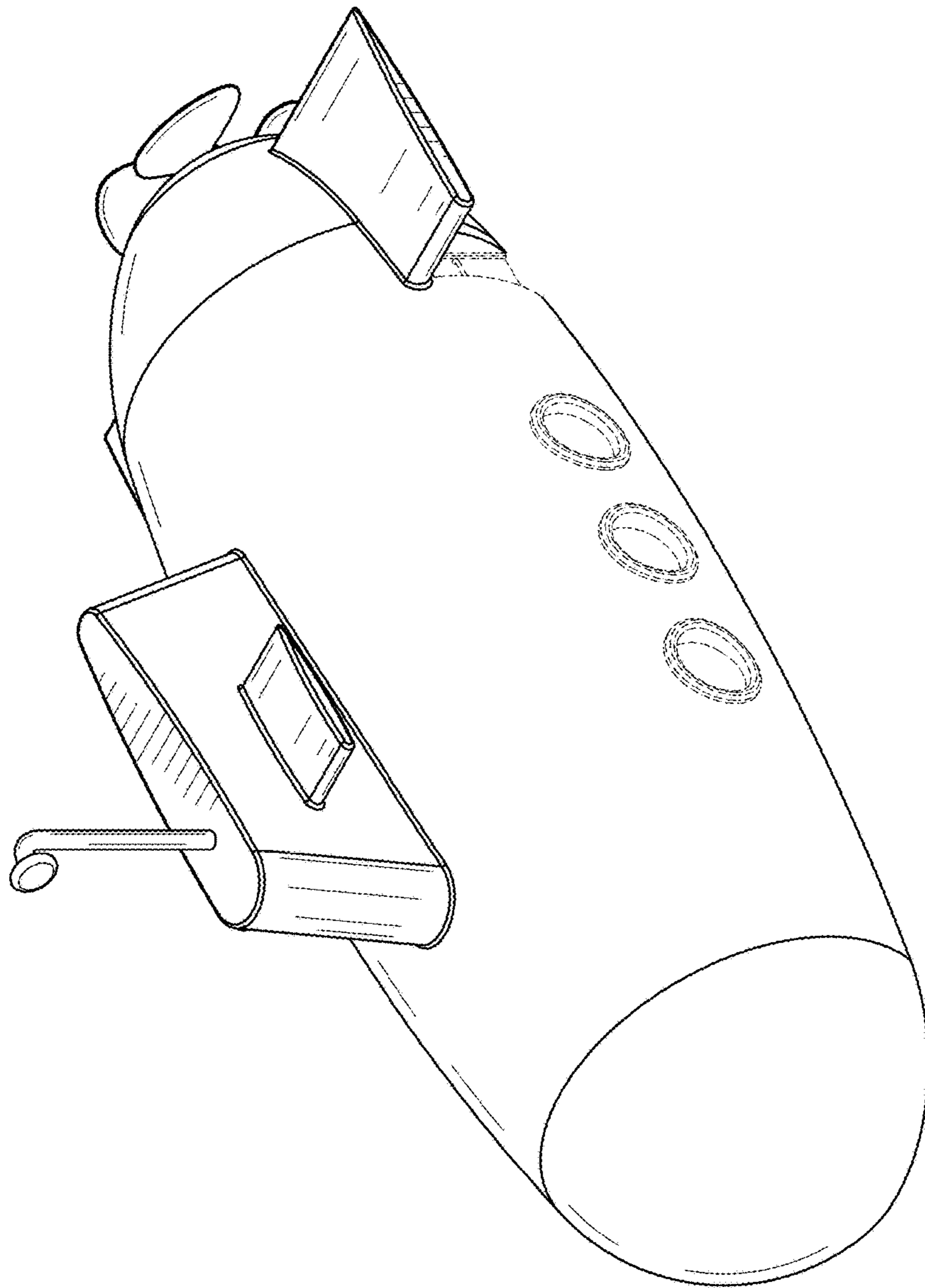


FIG. 17

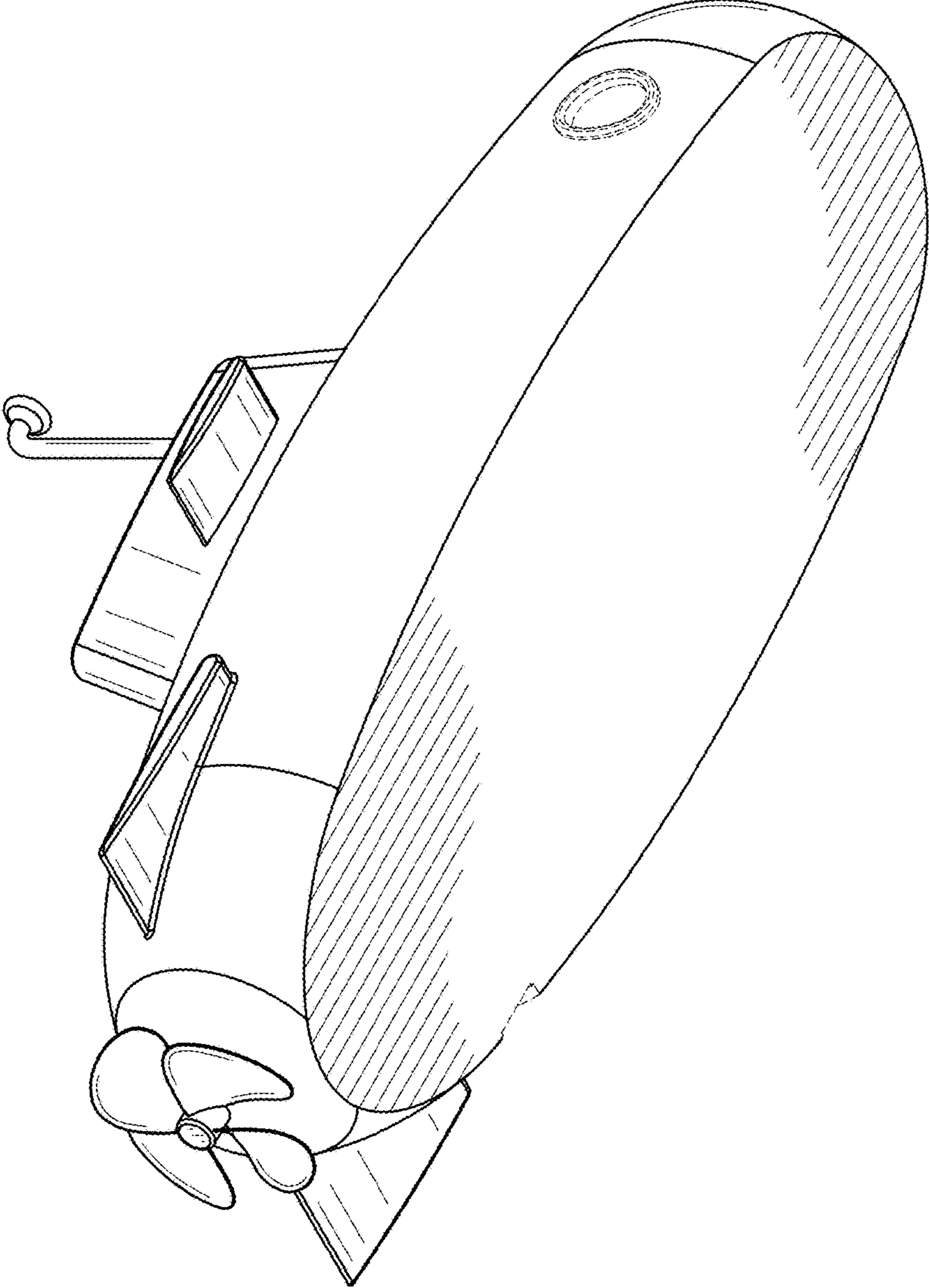


FIG. 18

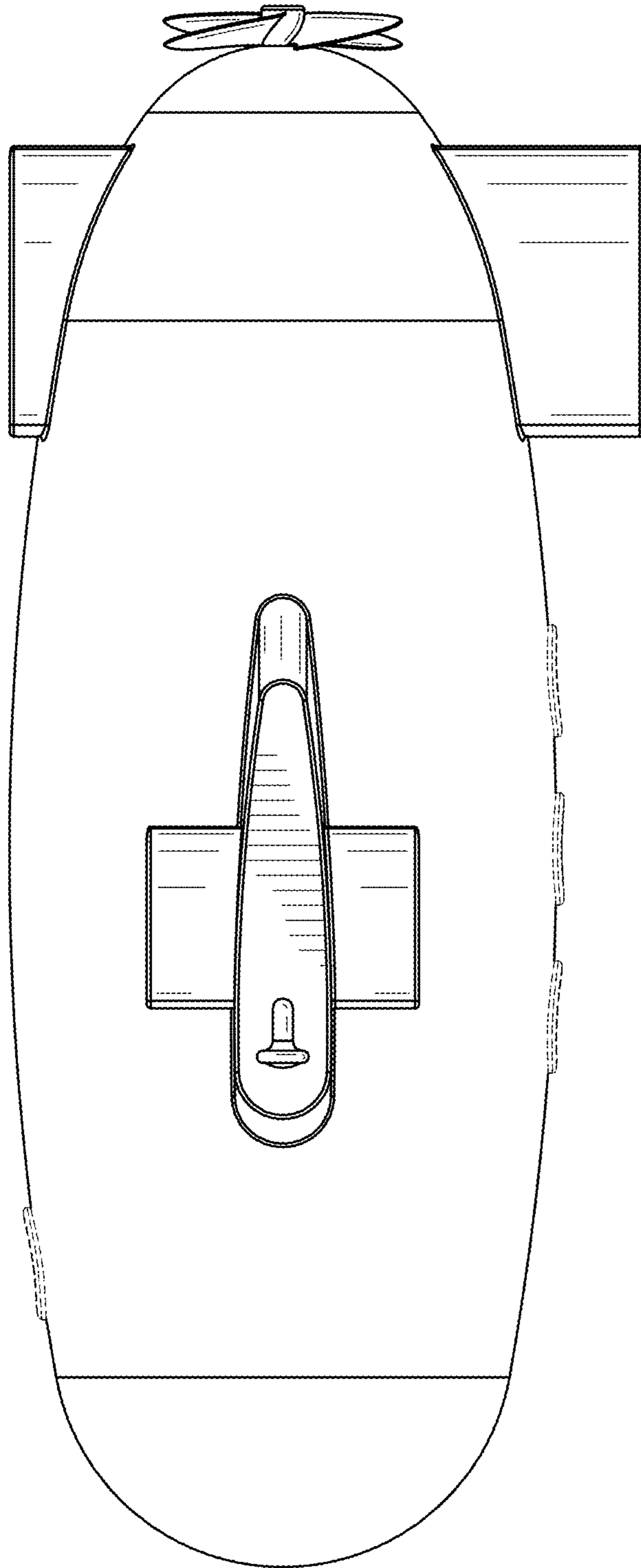


FIG. 19

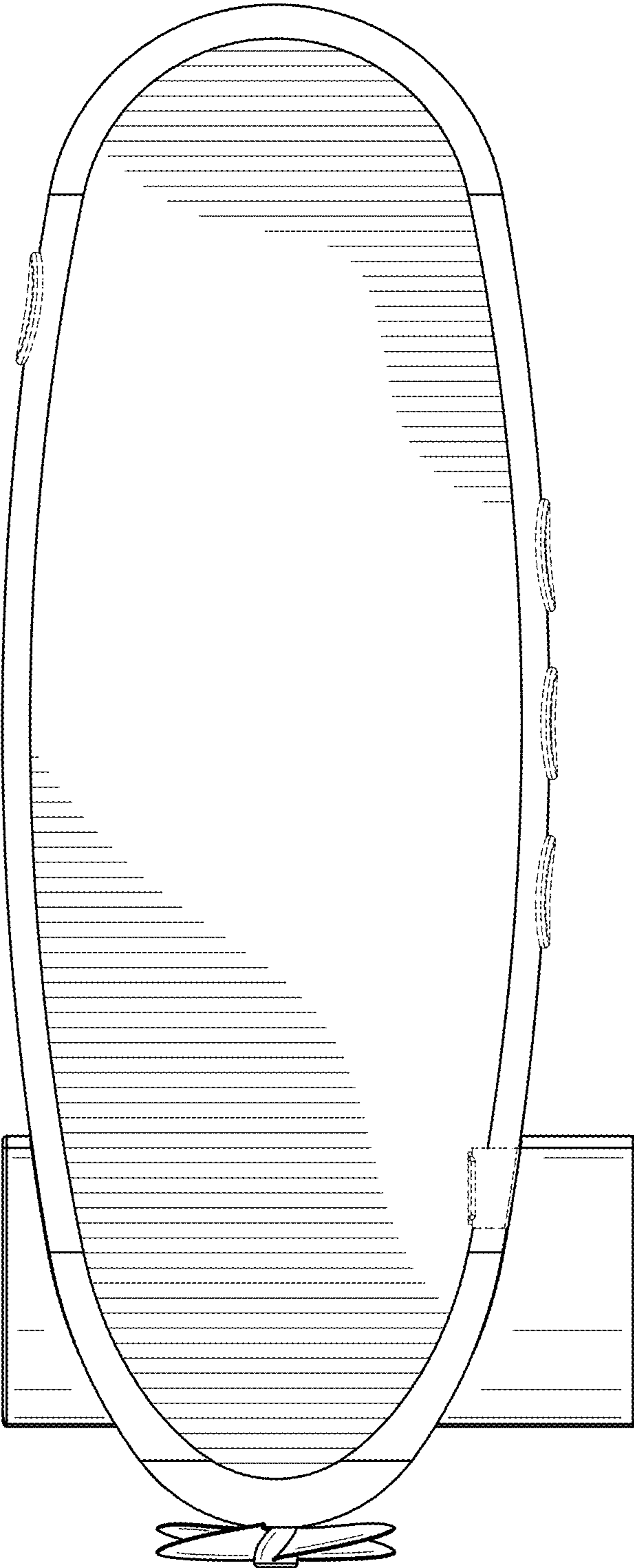


FIG. 20

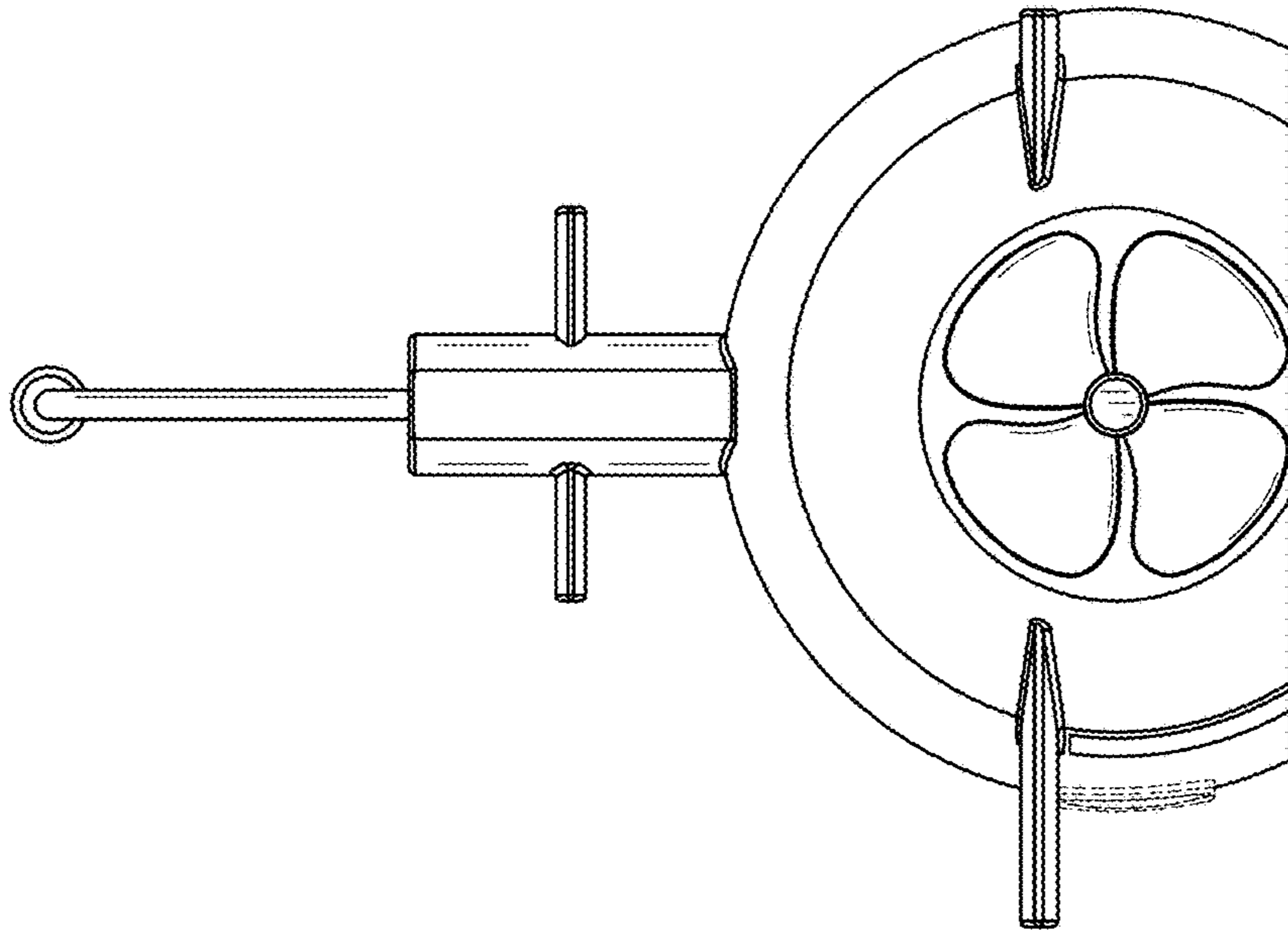


FIG. 22

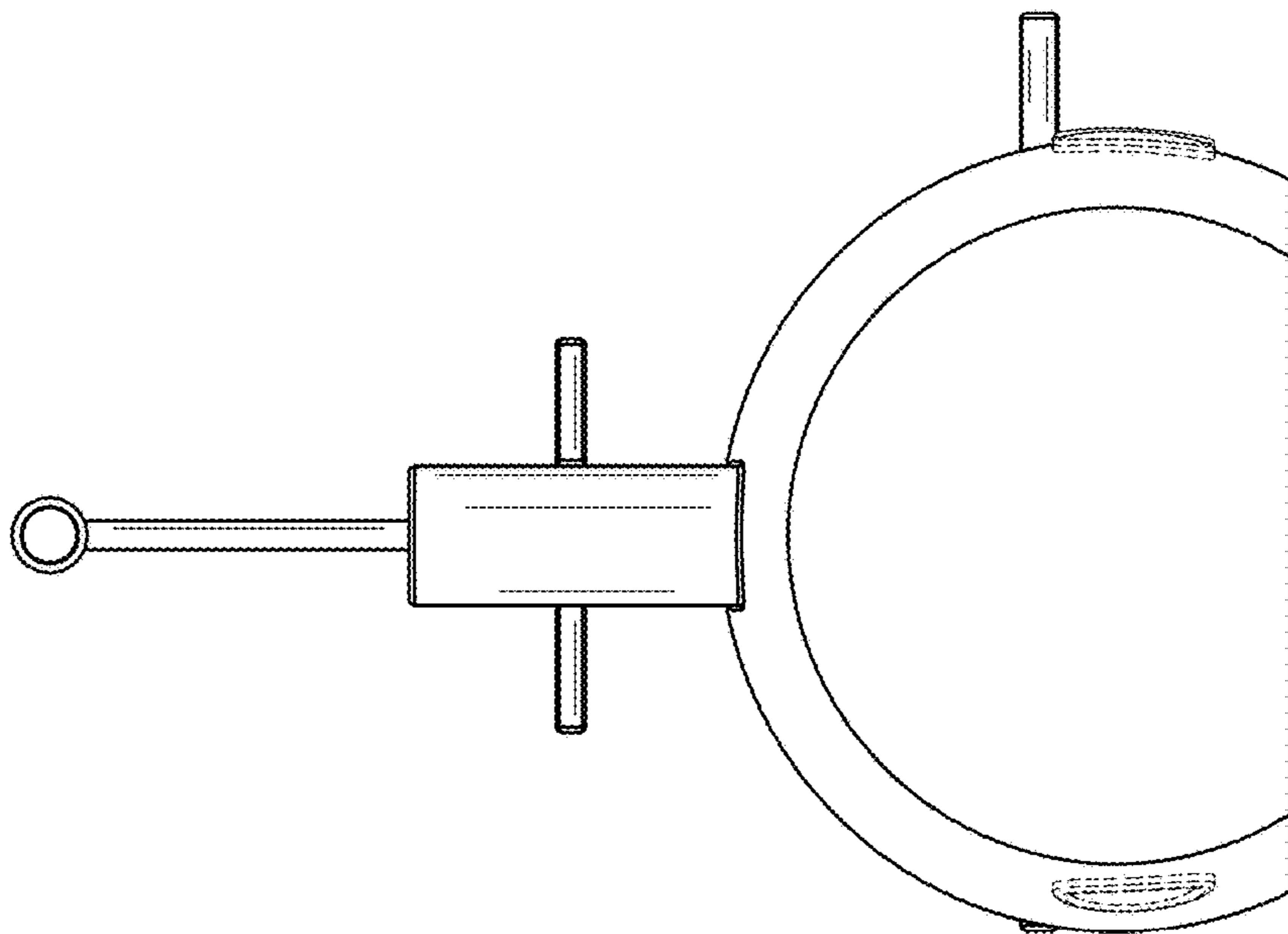


FIG. 21

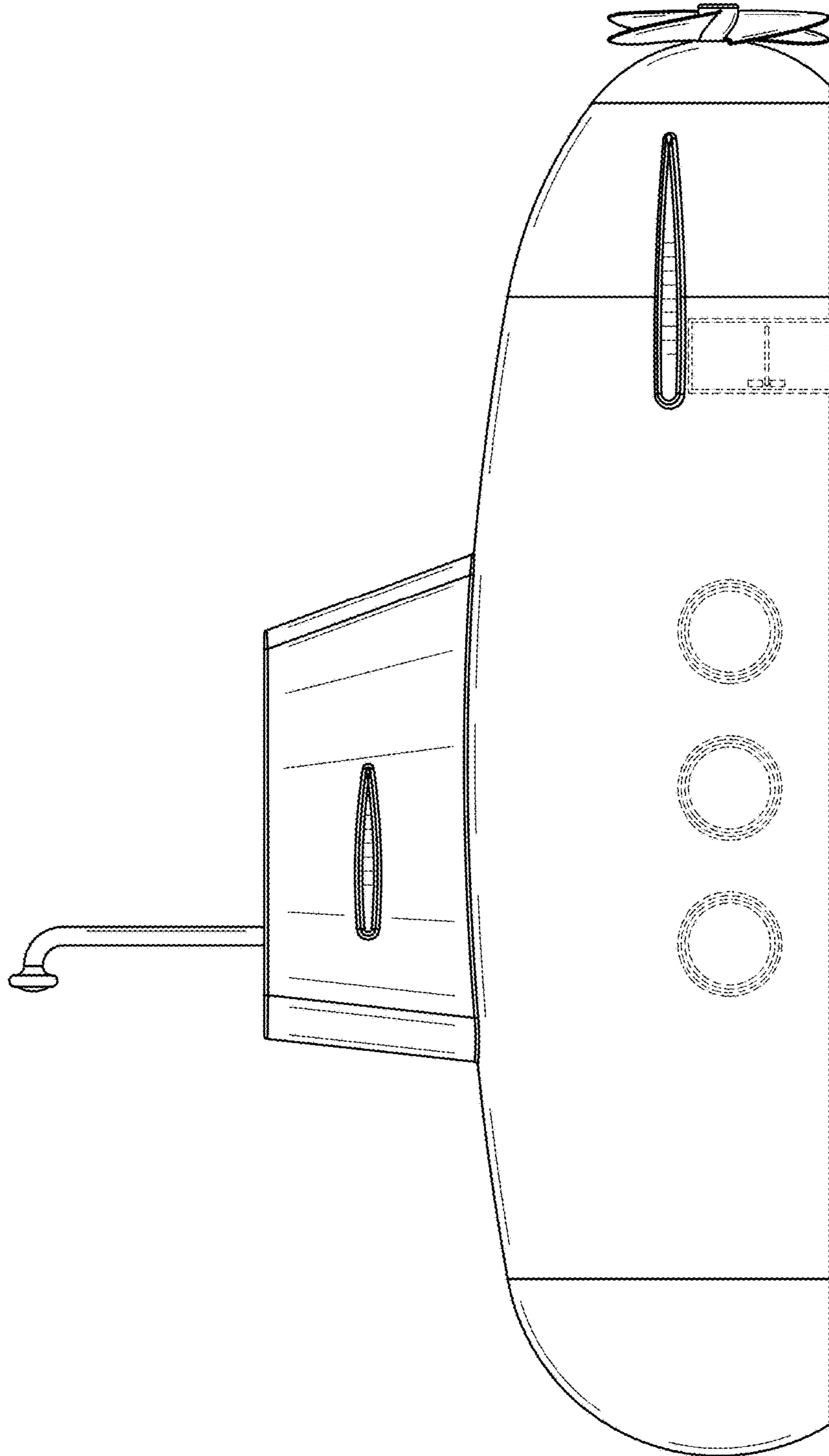


FIG. 23

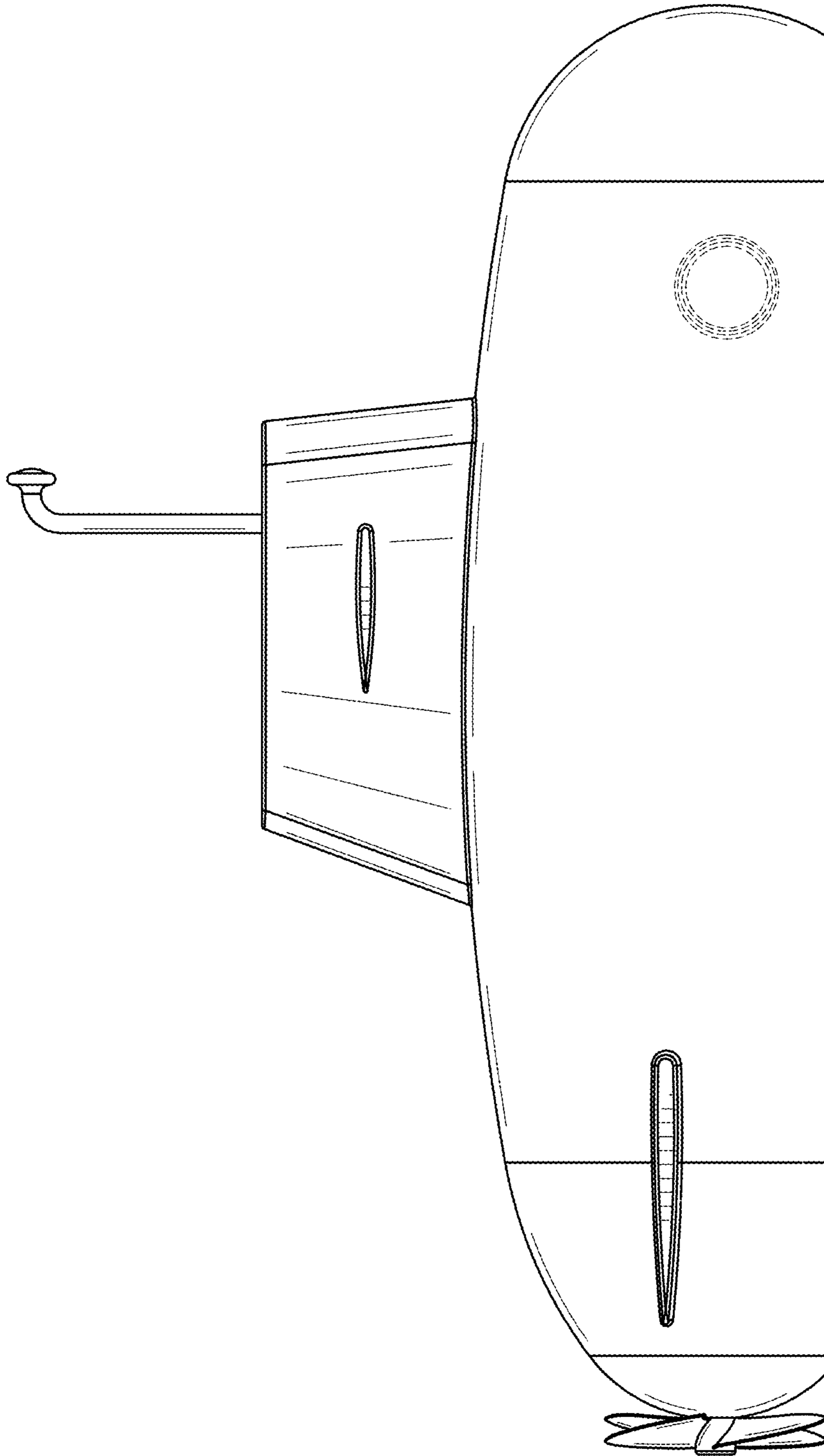


FIG. 24

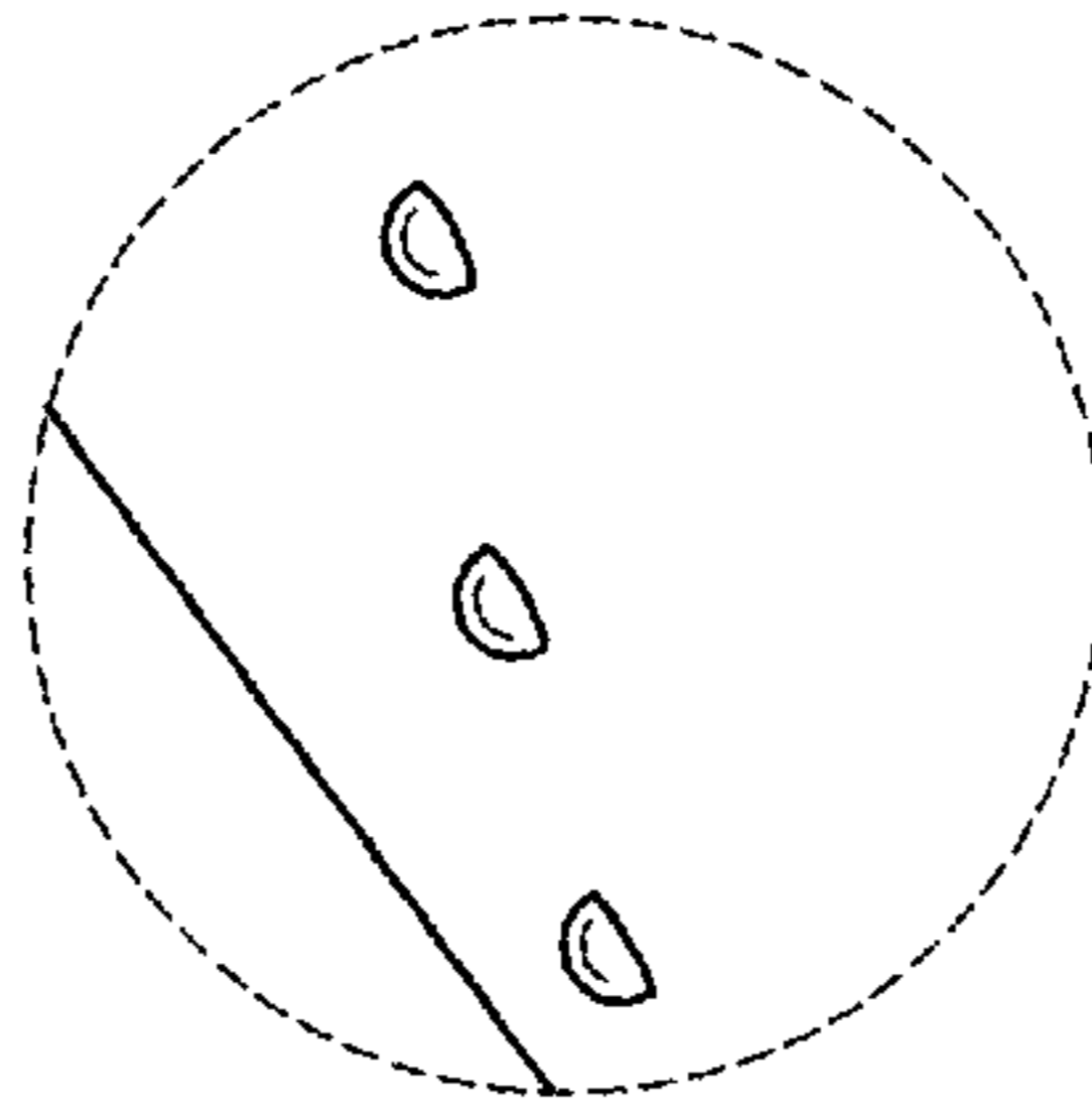


FIG. 25

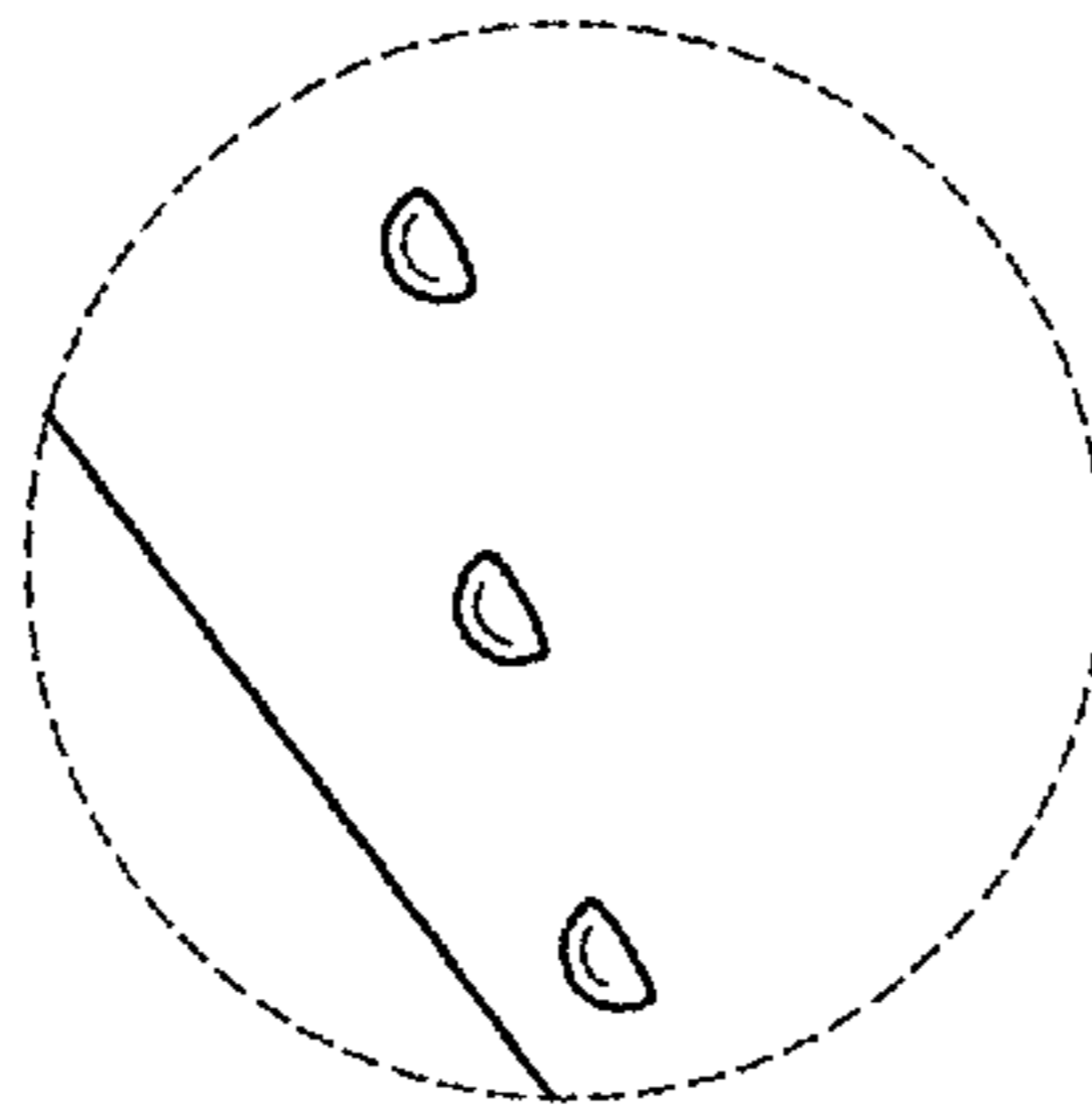


FIG. 26