



US00D809154S

(12) **United States Design Patent** (10) **Patent No.:** **US D809,154 S**  
**Livingston et al.** (45) **Date of Patent:** **\*\* \*Jan. 30, 2018**

(54) **REAGENT RECEPTACLE**  
(71) Applicant: **Becton, Dickinson and Company,**  
Franklin Lakes, NJ (US)  
(72) Inventors: **Dwight Livingston,** Fallston, MD (US);  
**Steven C. Rotundo,** Baltimore, MD  
(US); **Gordon Franklin,** Hanover, PA  
(US)

D416,330 S \* 11/1999 Brown ..... D24/224  
D451,676 S \* 12/2001 Dembicks ..... D3/313  
D573,038 S \* 7/2008 Picken ..... D9/737  
D613,875 S \* 4/2010 Mcdevitt ..... D24/227  
D616,250 S \* 5/2010 Peyton ..... D7/553.3  
D641,234 S \* 7/2011 Salin ..... D9/424  
D671,817 S \* 12/2012 Brown ..... D8/356  
D691,465 S \* 10/2013 O'Brien ..... D9/418  
D727,732 S \* 4/2015 Petty ..... D9/415  
D772,053 S \* 11/2016 Mayer ..... D9/418

(73) Assignee: **Becton, Dickinson and Company,**  
Franklin Lakes, NJ (US)  
(\* ) Notice: This patent is subject to a terminal dis-  
claimer.  
(\*\*) Term: **15 Years**

(21) Appl. No.: **29/575,801**  
(22) Filed: **Aug. 29, 2016**

**Related U.S. Application Data**

(63) Continuation-in-part of application No. 29/564,530,  
filed on May 13, 2016.  
(51) **LOC (11) Cl.** ..... **24-01**  
(52) **U.S. Cl.**  
USPC ..... **D24/224**  
(58) **Field of Classification Search**  
USPC ..... D9/414-419, 421-425, 427, 429,  
D9/430-435, 455-457, 499; D24/121,  
D24/224-227  
CPC ..... B65D 71/00; B65D 5/503; B65D 5/36;  
B65D 5/20; B01L 2300/0609  
See application file for complete search history.

(56) **References Cited**

**U.S. PATENT DOCUMENTS**

D227,860 S \* 7/1973 Schumann ..... D9/759  
D335,348 S \* 5/1993 Frenkel ..... D24/224  
D365,153 S \* 12/1995 Robertson, Jr. .... D24/224  
D367,932 S \* 3/1996 Lim ..... D24/224

**OTHER PUBLICATIONS**

Rings Things. Bead and Craft Storage Organizers. Nov. 15, 2014  
[earliest online date], [site visited Feb. 2, 2017]. Available from  
Internet, <URL:http://www.rings-things.com/Products/Bead-and-  
Craft-Storage-Organizers/>.\*

\* cited by examiner

*Primary Examiner* — Robert M. Spear  
*Assistant Examiner* — Darcey E Heflin  
(74) *Attorney, Agent, or Firm* — Lerner, David,  
Littenberg, Krumholz & Mentlik, LLP

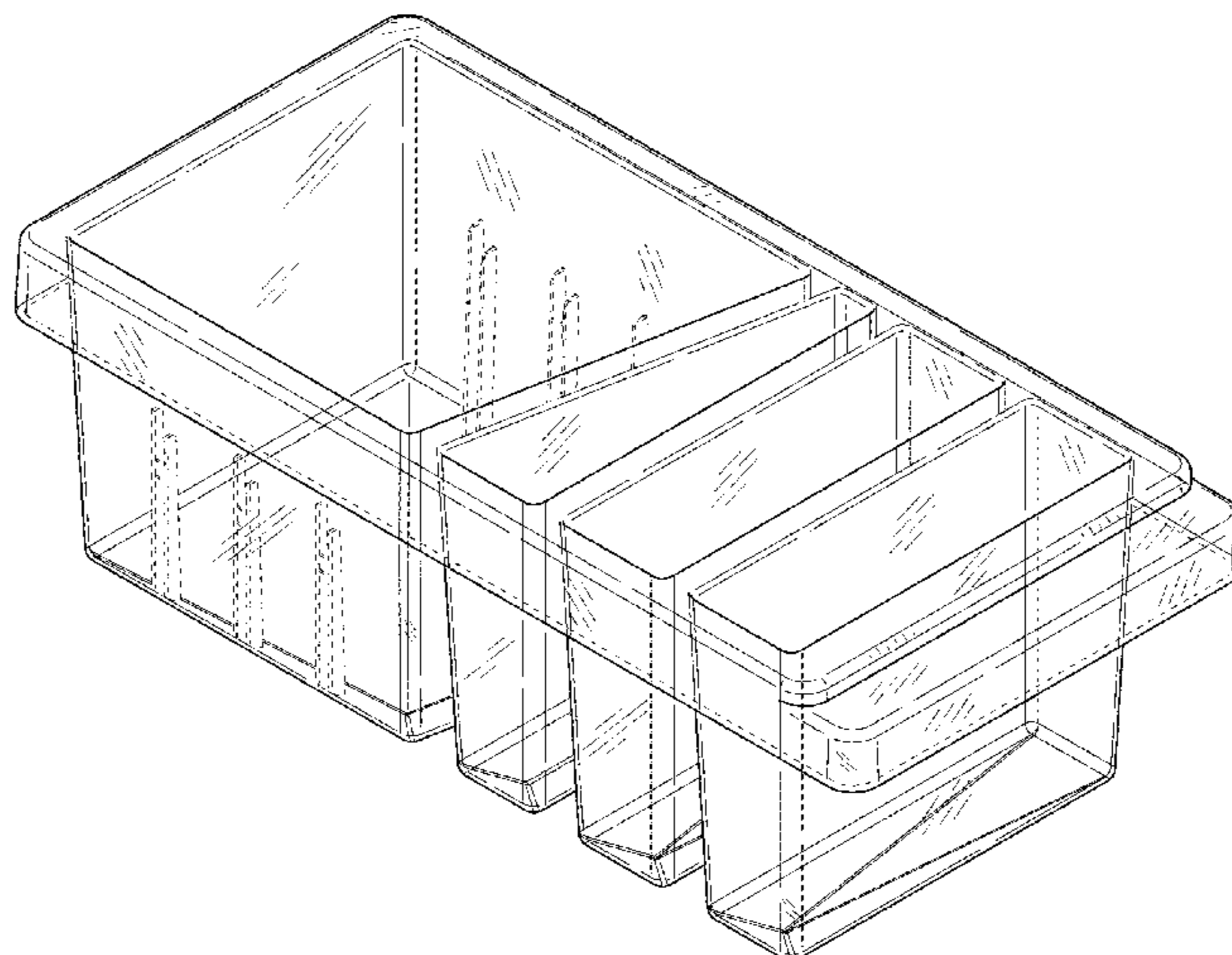
(57) **CLAIM**

The ornamental design for a reagent receptacle, as shown  
and described.

**DESCRIPTION**

FIG. 1 is a front perspective view of a reagent receptacle  
according to our design;  
FIG. 2 is a front elevational view thereof;  
FIG. 3 is a rear elevational view thereof;  
FIG. 4 is a right side elevational view thereof;  
FIG. 5 is a left side elevational view thereof;  
FIG. 6 is a top plan view thereof; and,  
FIG. 7 is a bottom plan view thereof.  
The broken lines illustrate unclaimed environmental struc-  
ture and form no part of the claimed design. The oblique  
shade lines shown in the drawings indicate a transparent or  
translucent surface.

**1 Claim, 4 Drawing Sheets**



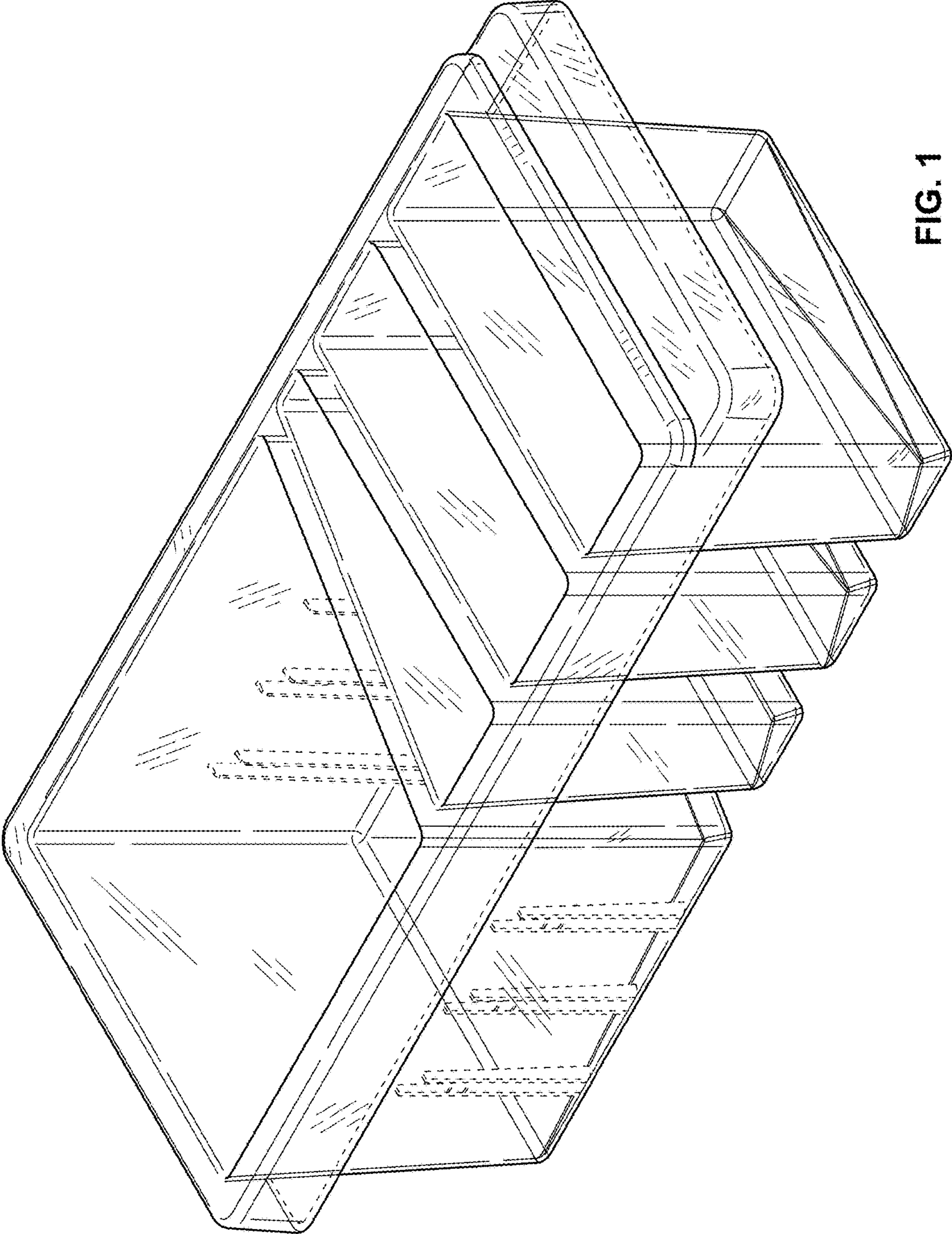


FIG. 1

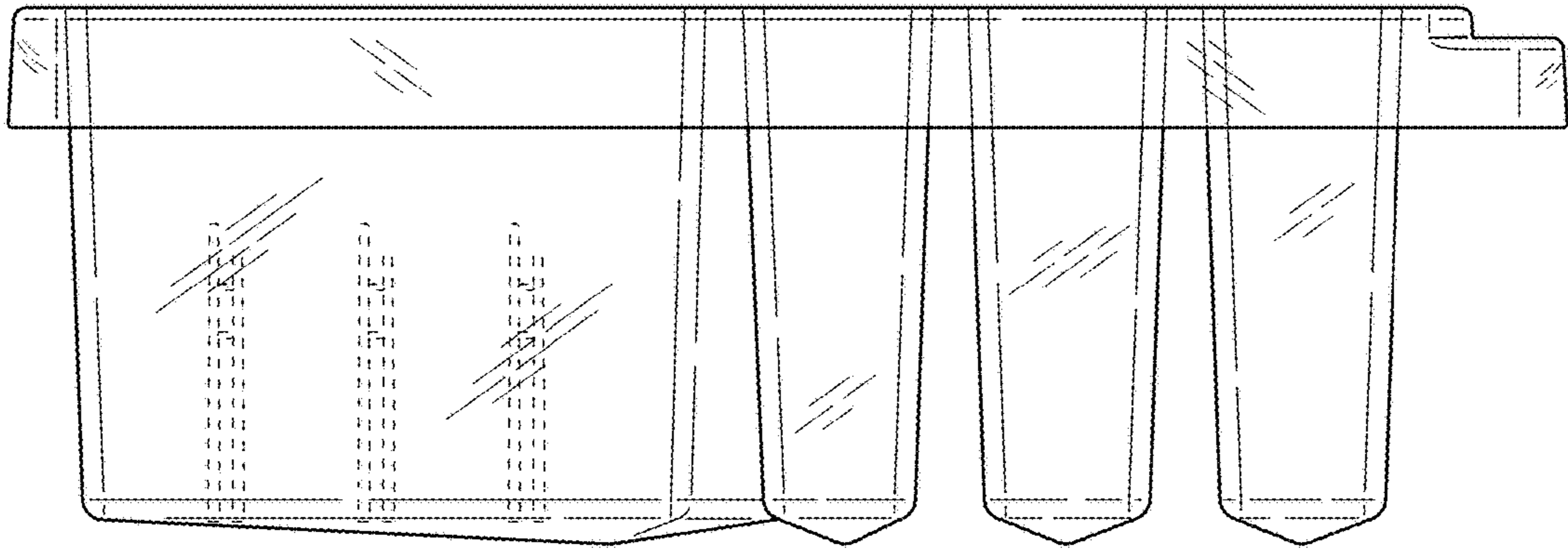


FIG. 2

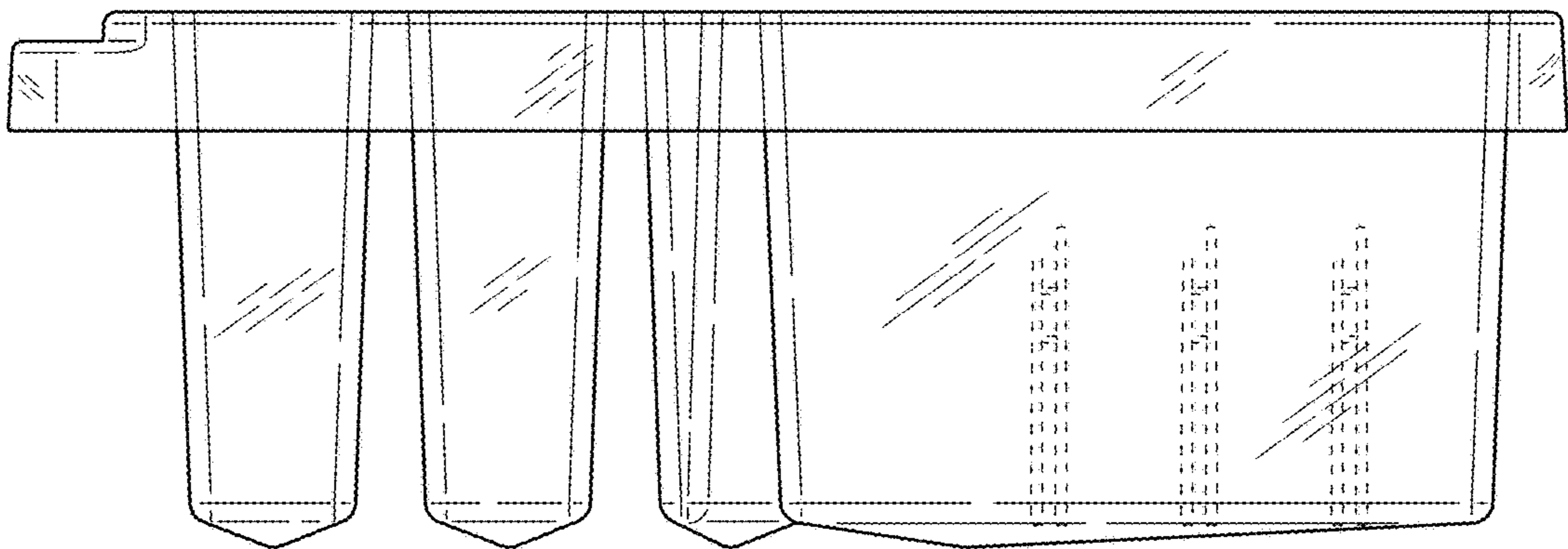


FIG. 3



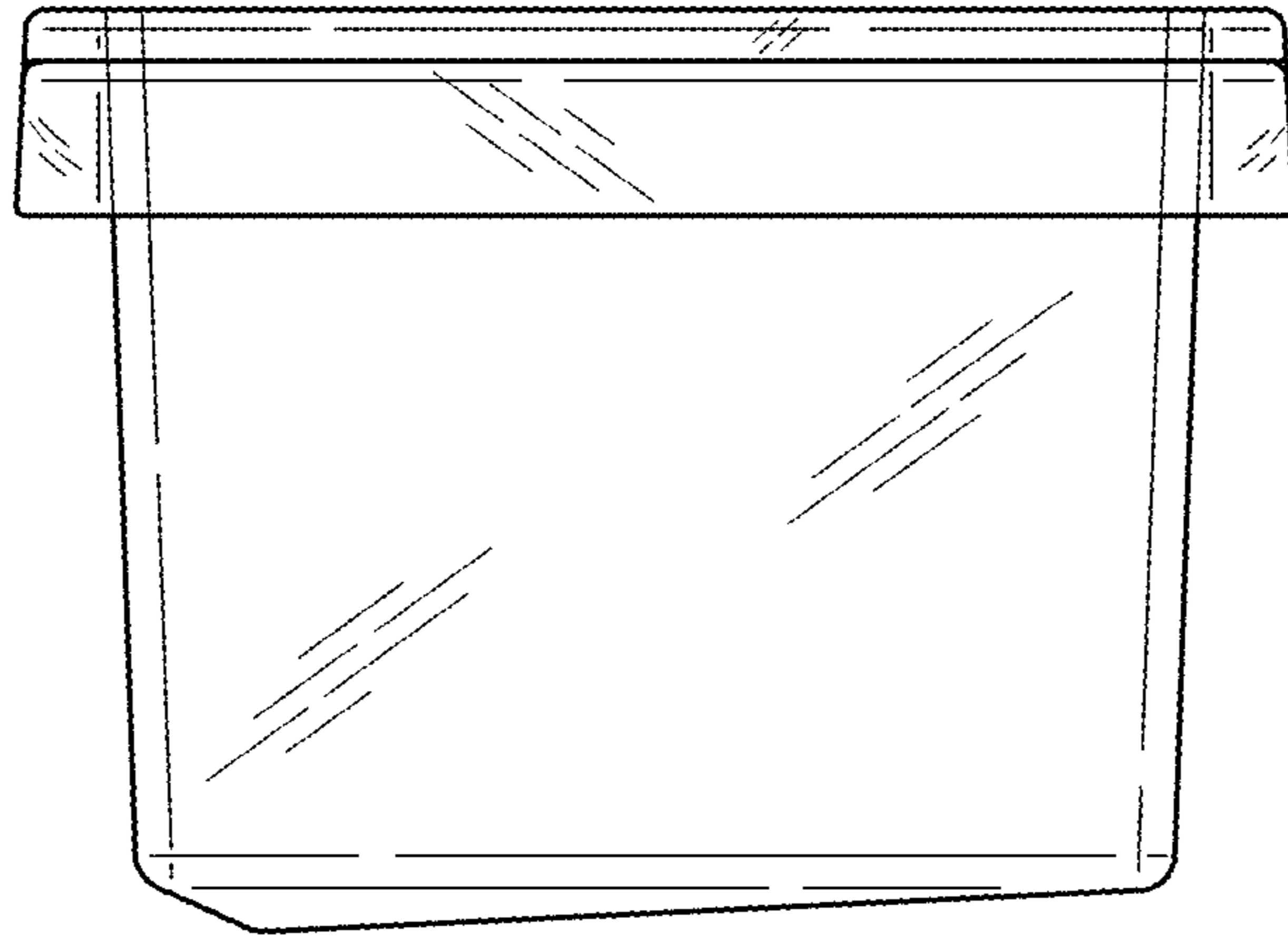


FIG. 4

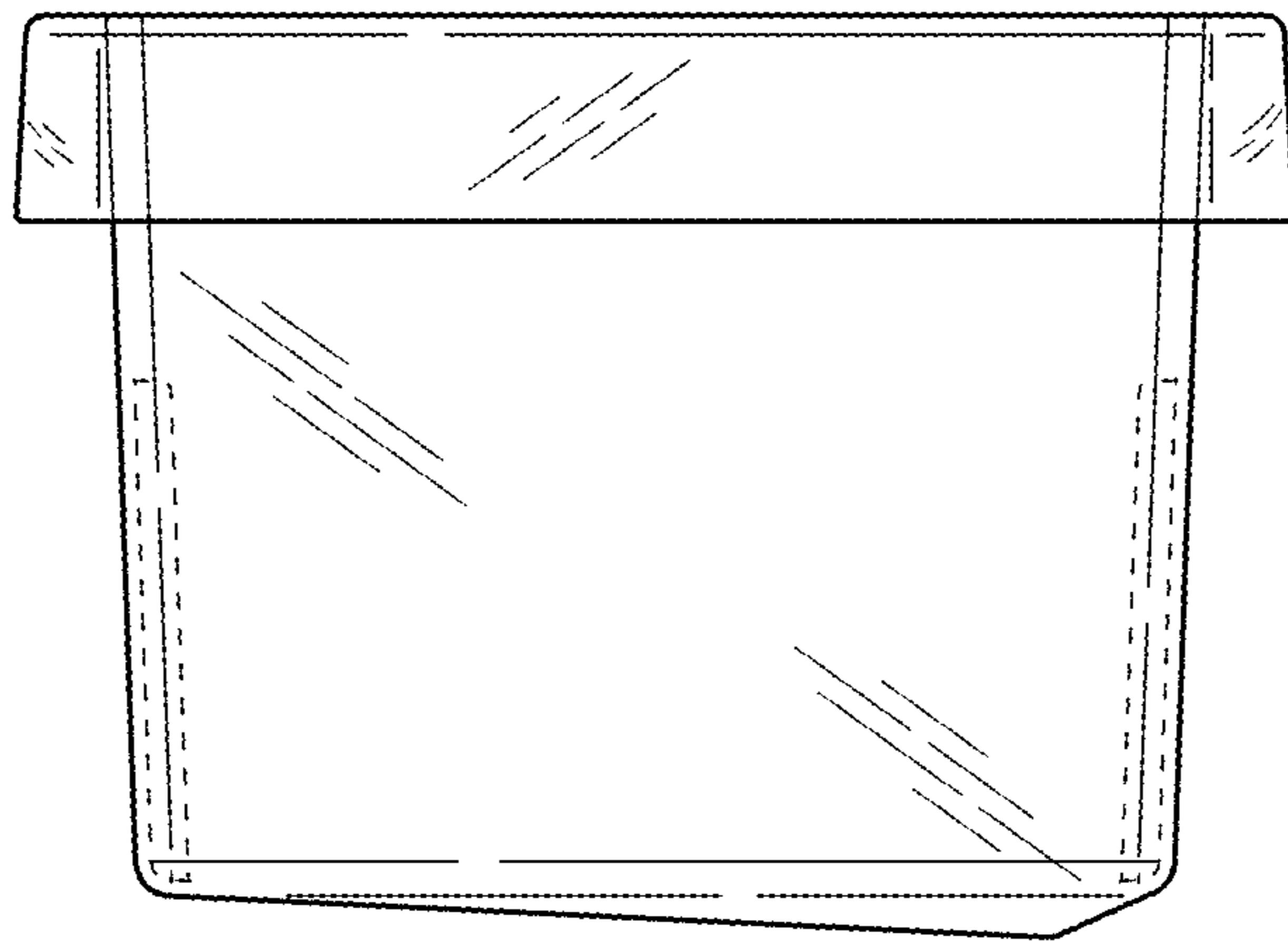


FIG. 5

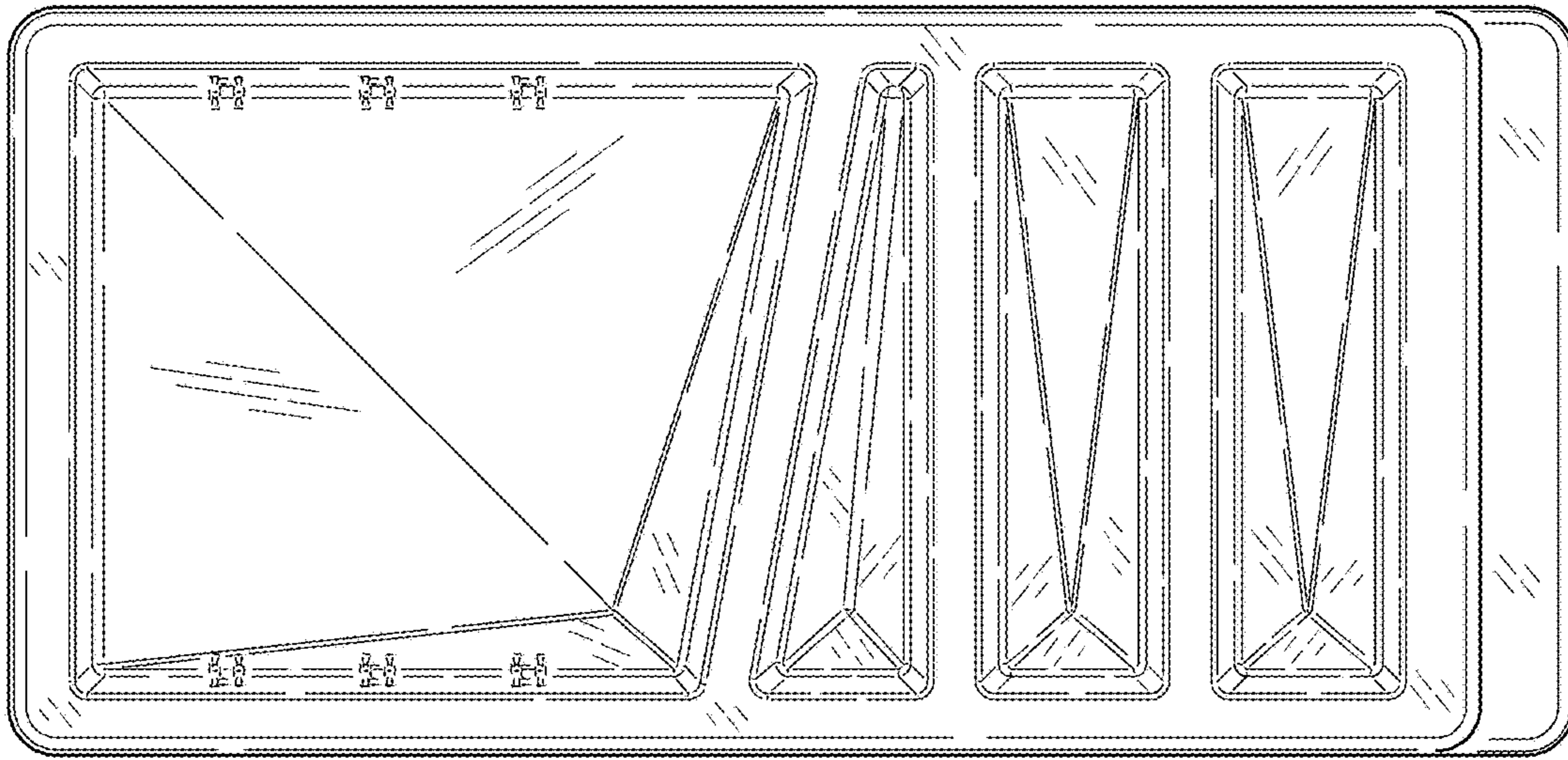


FIG. 6

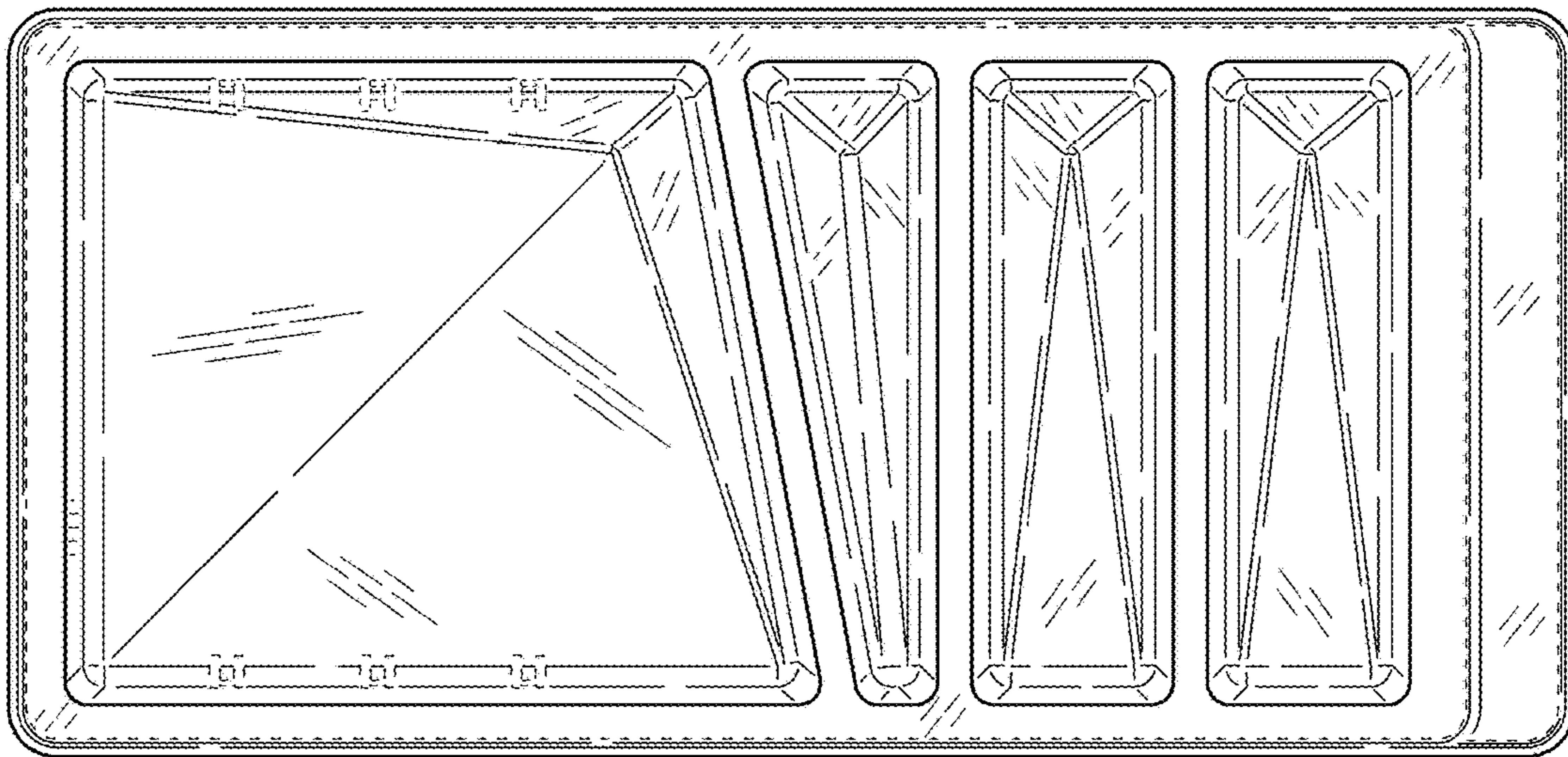


FIG. 7