



US00D809153S

(12) **United States Design Patent** (10) **Patent No.:** **US D809,153 S**
Noble (45) **Date of Patent:** **** Jan. 30, 2018**

(54) **PILL CRUSHER**

Primary Examiner — Rhea Shields

(71) Applicant: **Apothecary Products, LLC,**
Burnsville, MN (US)

(74) *Attorney, Agent, or Firm* — Merchant & Gould P.C.

(72) Inventor: **Jacqueline K. Noble,** Minneapolis, MN
(US)

(57) **CLAIM**

(73) Assignee: **Apothecary Products, LLC,**
Burnsville, MN (US)

The ornamental design for a pill crusher, as shown and described.

(**) Term: **15 Years**

(21) Appl. No.: **29/541,390**

DESCRIPTION

(22) Filed: **Oct. 2, 2015**

(51) **LOC (11) Cl.** **24-00**

(52) **U.S. Cl.**
USPC **D24/220**

(58) **Field of Classification Search**
USPC D24/220, 232, 233; D9/703, 418;
D23/233; D3/303; 366/274; 100/233;
206/528; 225/1
CPC A61J 7/0007; B01F 13/04; F04B 53/127
See application file for complete search history.

FIG. 1 is a perspective view of the top portion of the pill crusher, according to my new design;
FIG. 2 is a front view thereof;
FIG. 3 is a rear view thereof;
FIG. 4 is a right side view thereof;
FIG. 5 is a left side view thereof;
FIG. 6 is a top plan view thereof; and
FIG. 7 is a bottom plan view thereof.
FIG. 8 is a perspective view of the bottom portion of the pill crusher, according to my new design;
FIG. 9 is a front view thereof;
FIG. 10 is a rear view thereof;
FIG. 11 is a right side view thereof;
FIG. 12 is a left side view thereof;
FIG. 13 is a top plan view thereof; and
FIG. 14 is a bottom plan view thereof.
FIG. 15 is an assembled perspective view of the pill crusher, according to my new design;
FIG. 16 is a front view thereof;
FIG. 17 is a rear view thereof;
FIG. 18 is a right side view thereof;
FIG. 19 is a left side view thereof;
FIG. 20 is a top plan view thereof;
FIG. 21 is a bottom plan view thereof; and,
FIG. 22 is an exploded perspective view thereof.
In the drawings, the broken lines are for the purpose of illustrating environment only and form no part of the claimed design.

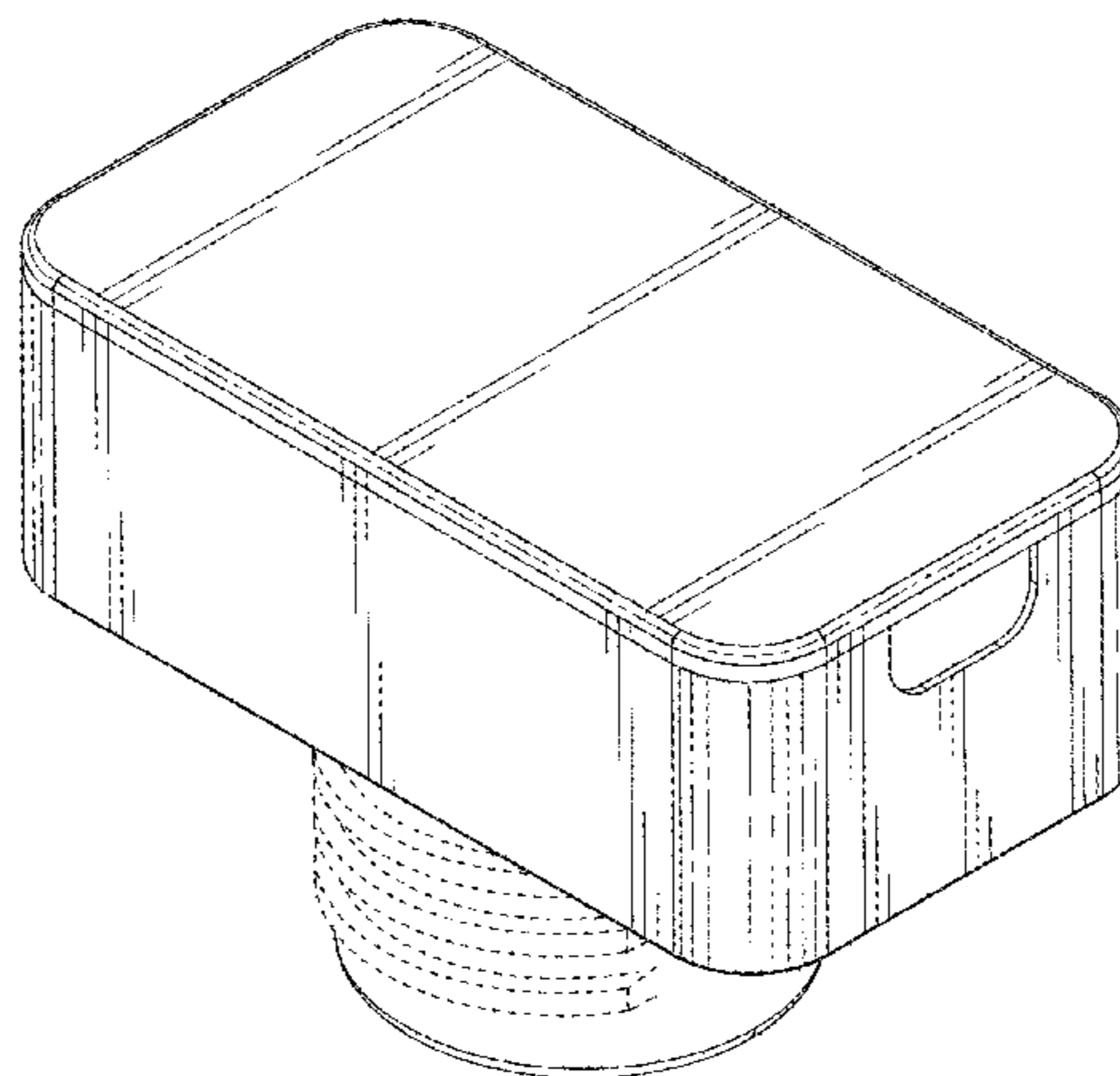
(56) **References Cited**

U.S. PATENT DOCUMENTS

2,602,596	A	4/1951	Jones et al.	
4,967,971	A	11/1990	Smith	
D337,828	S *	7/1993	Gordon	D24/220
D433,148	S *	10/2000	Dennis	D24/220
D502,267	S *	2/2005	Leyshon	D24/220
D534,279	S *	12/2006	Leyshon	D24/220
D569,991	S *	5/2008	Elie	D24/232
7,416,143	B1 *	8/2008	Leyshon	A61J 7/0007 100/233
D579,119	S *	10/2008	Engel	D24/220
7,458,300	B2 *	12/2008	Williams	A61J 7/0007 225/1
7,494,267	B2 *	2/2009	Ware	B01F 13/04 366/274
D642,023	S *	7/2011	Reay	D24/220
8,162,247	B2	4/2012	Faulker	

(Continued)

1 Claim, 15 Drawing Sheets



(56)

References Cited

U.S. PATENT DOCUMENTS

D660,452	S	*	5/2012	Wolff	D24/220
D663,120	S	*	7/2012	Dow	D3/303
D665,918	S	*	8/2012	Place	D24/220
D669,190	S	*	10/2012	Sharpe	D24/220
D690,432	S	*	9/2013	Sharpe	D24/220
D699,588	S	*	2/2014	Yang	D9/703
D702,853	S	*	4/2014	Priebe	D24/220
8,720,807	B2		5/2014	Priebe et al.		
D732,950	S	*	6/2015	Young	D9/418
D735,525	S	*	8/2015	Nguyen	F04B 53/127
						D23/233
D741,724	S	*	10/2015	He	D9/703
D745,413	S	*	12/2015	Buckley	D9/703
D776,294	S	*	1/2017	Sharpe	D24/220

* cited by examiner

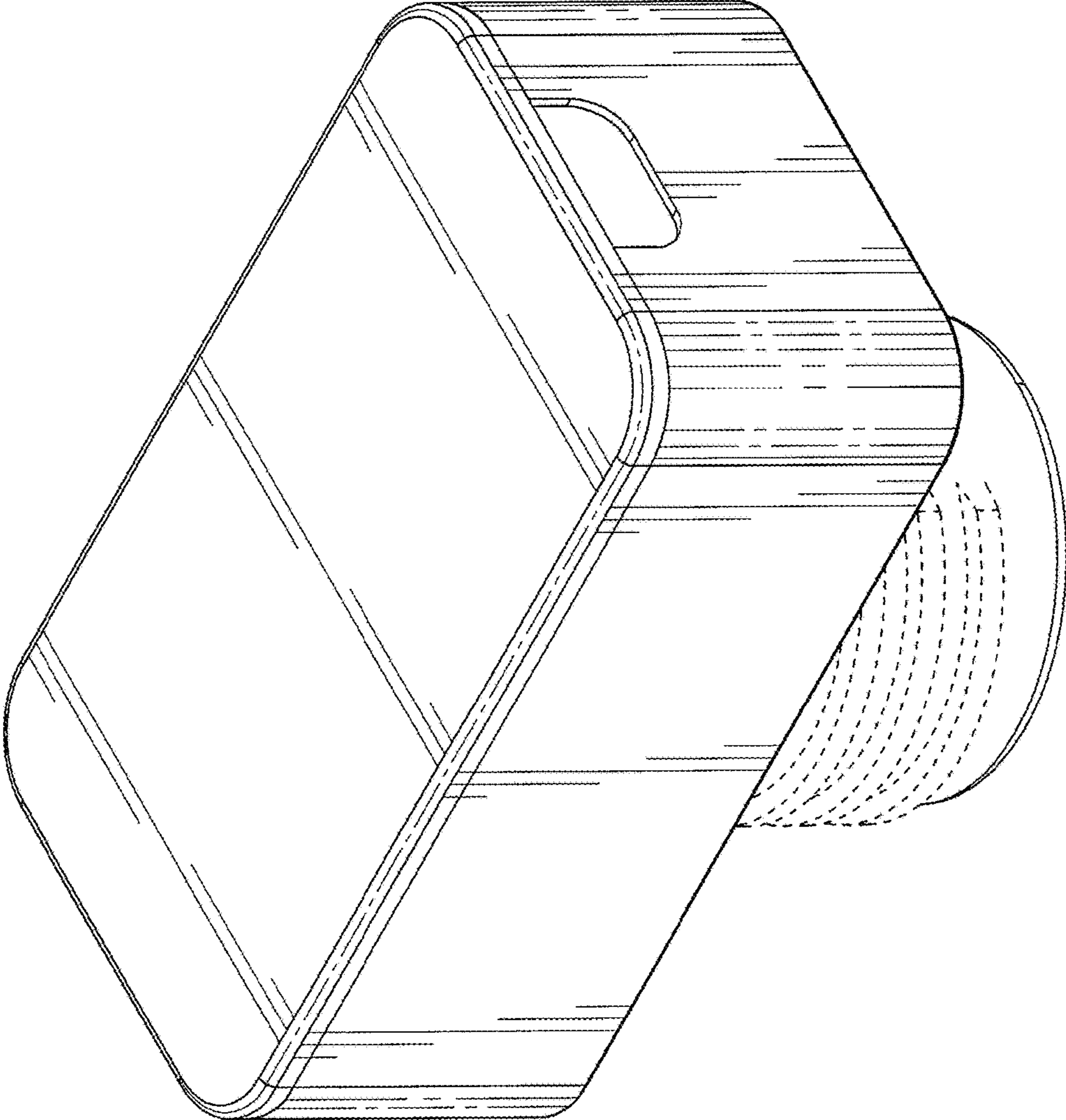


FIG. 1

FIG. 2

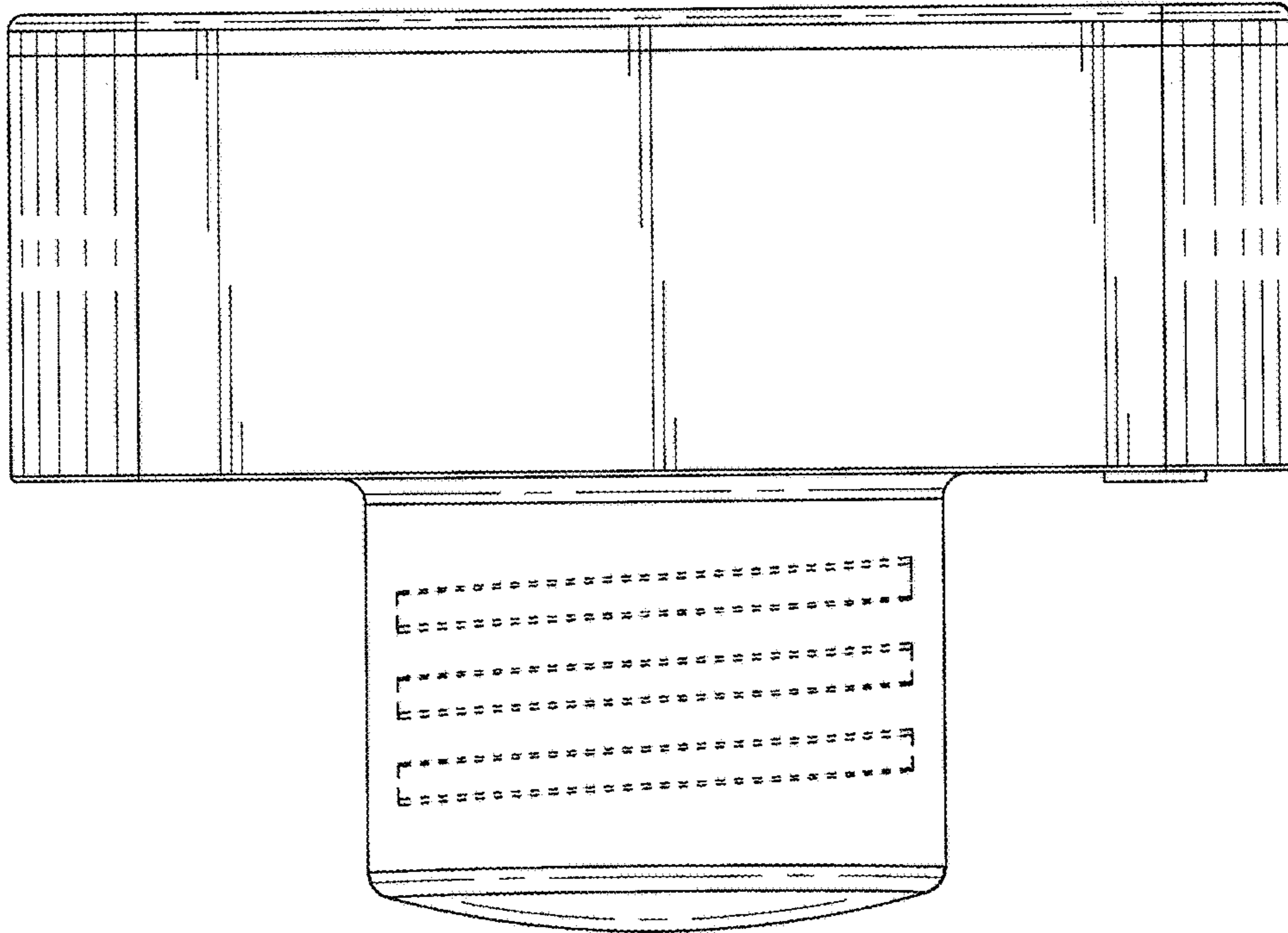


FIG. 3

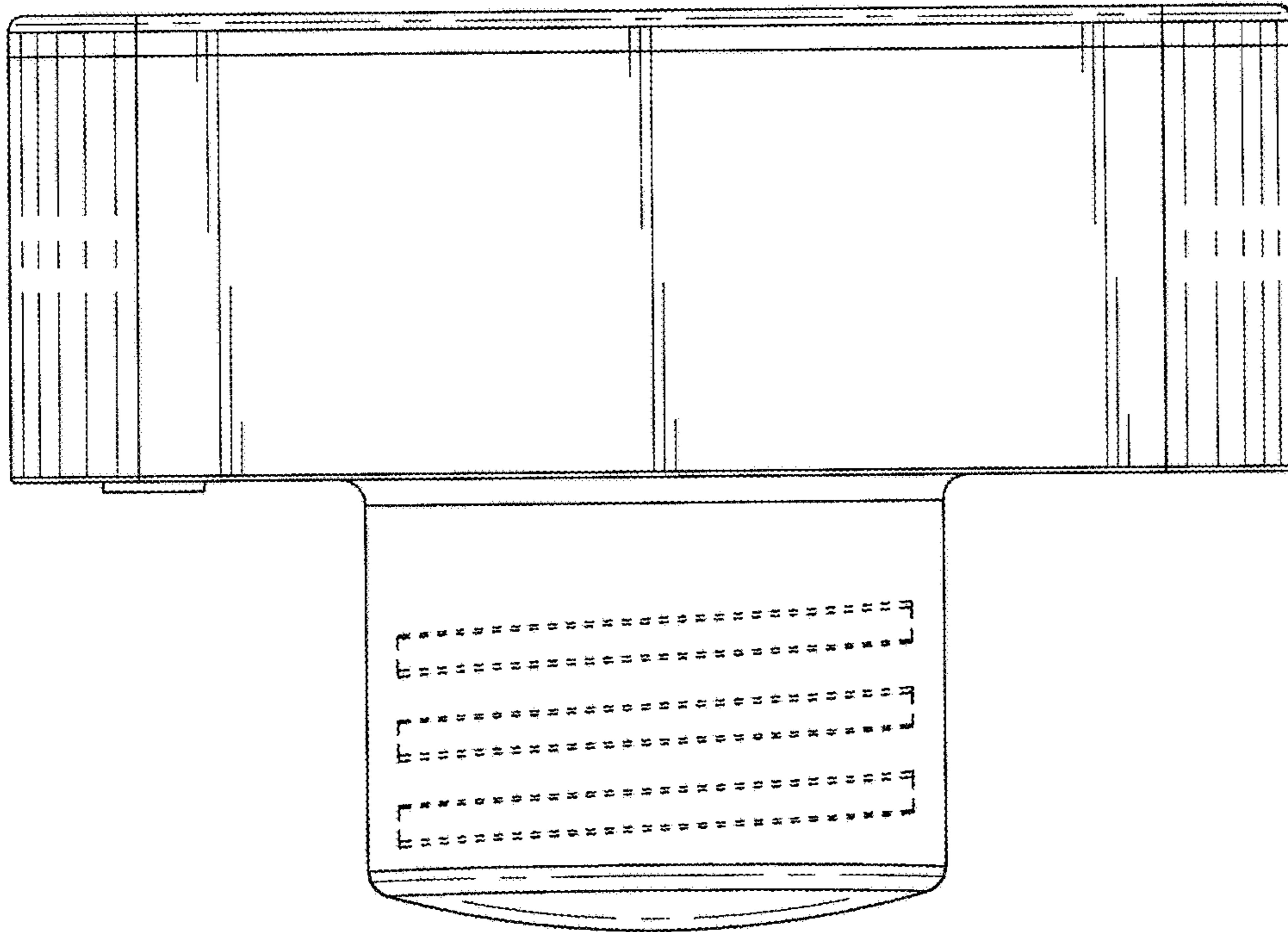


FIG. 4

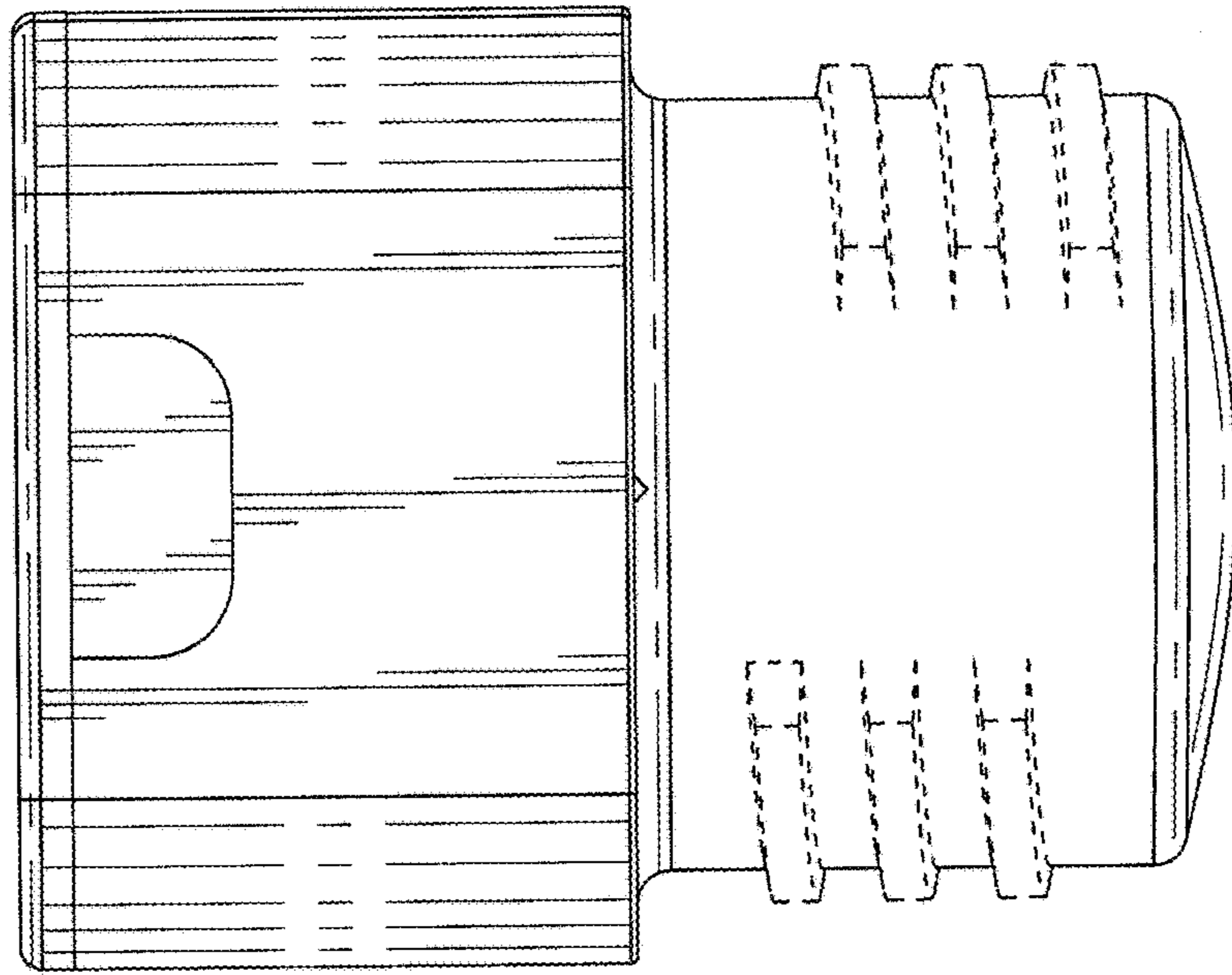


FIG. 5

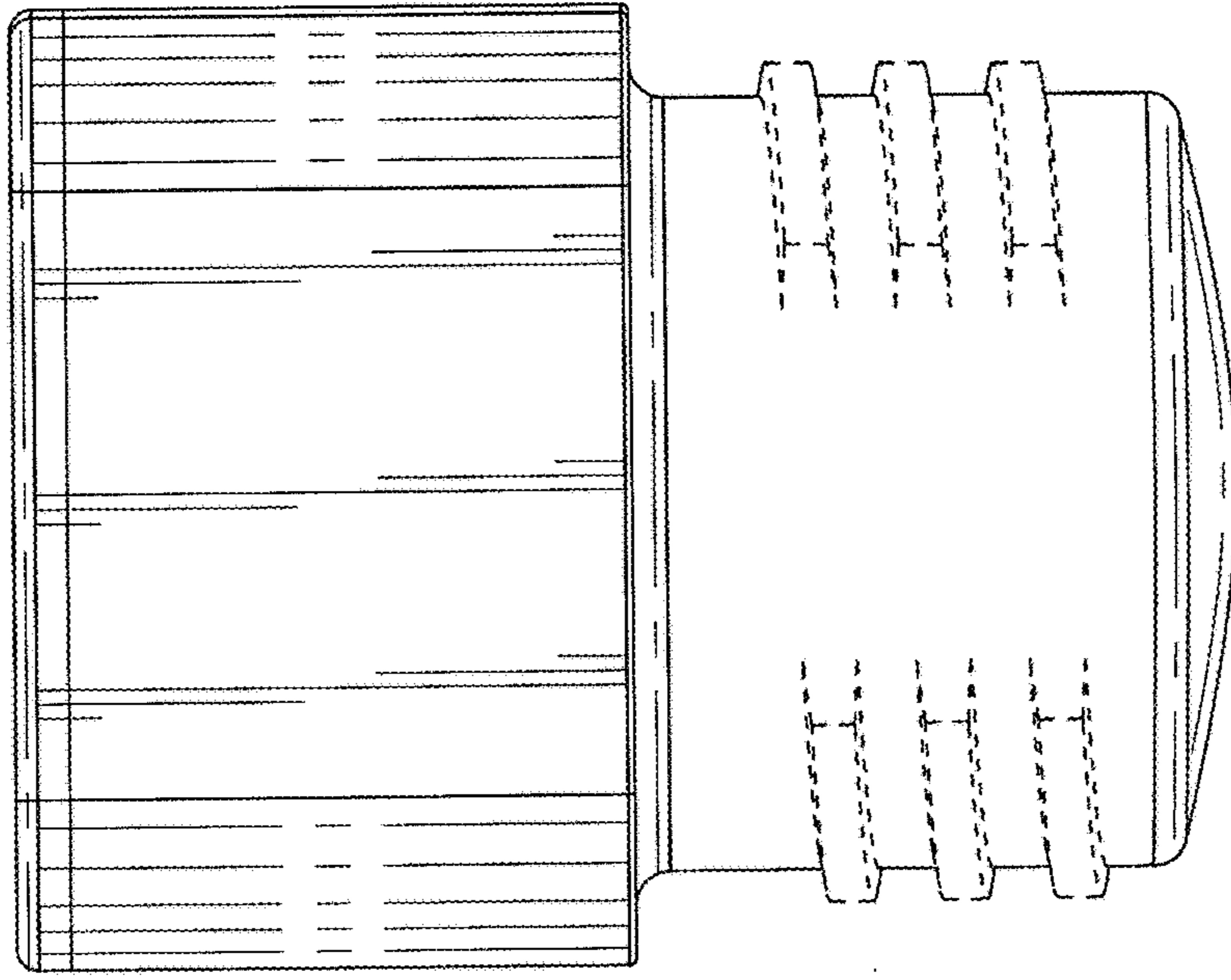


FIG. 6

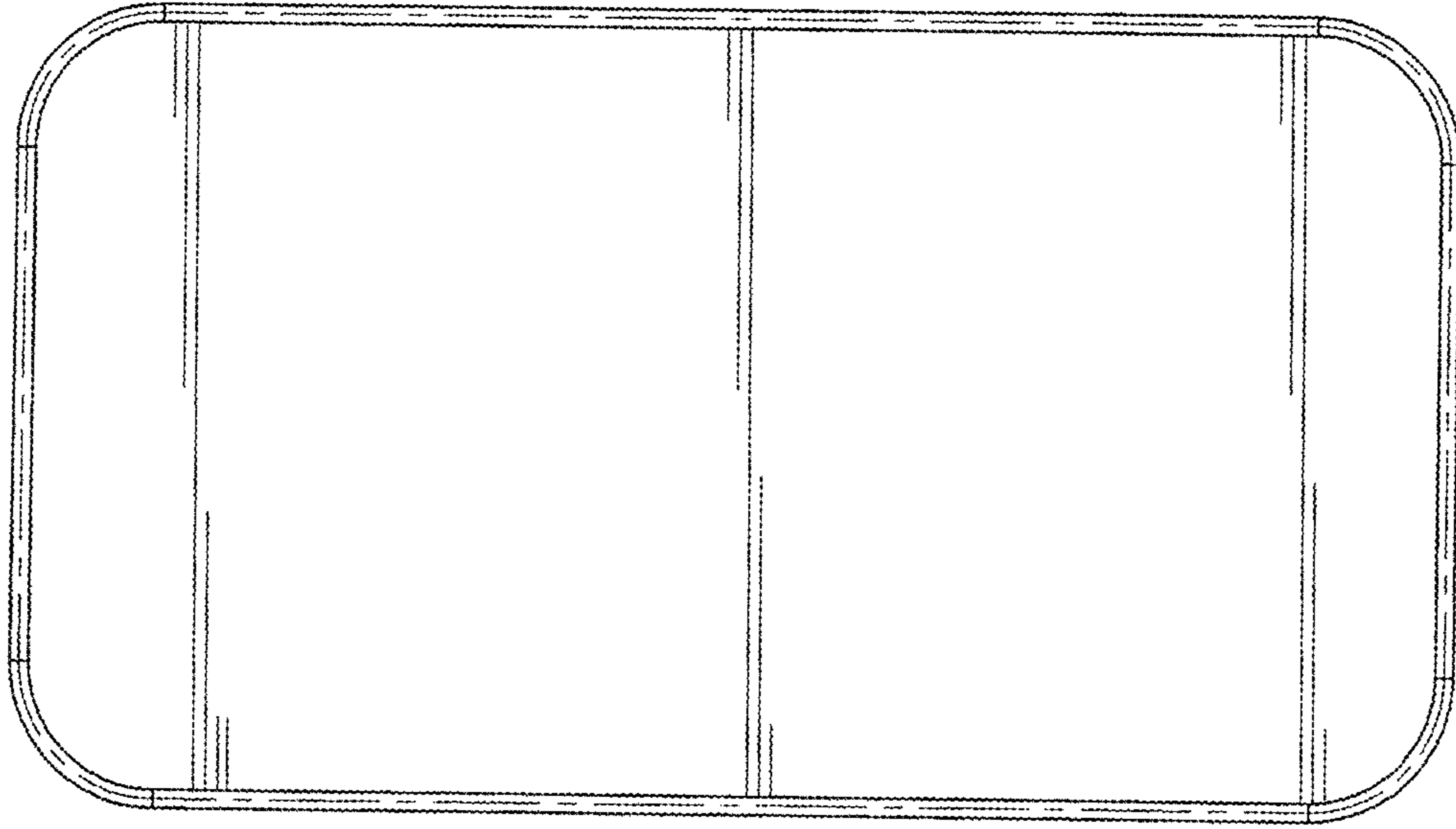


FIG. 7

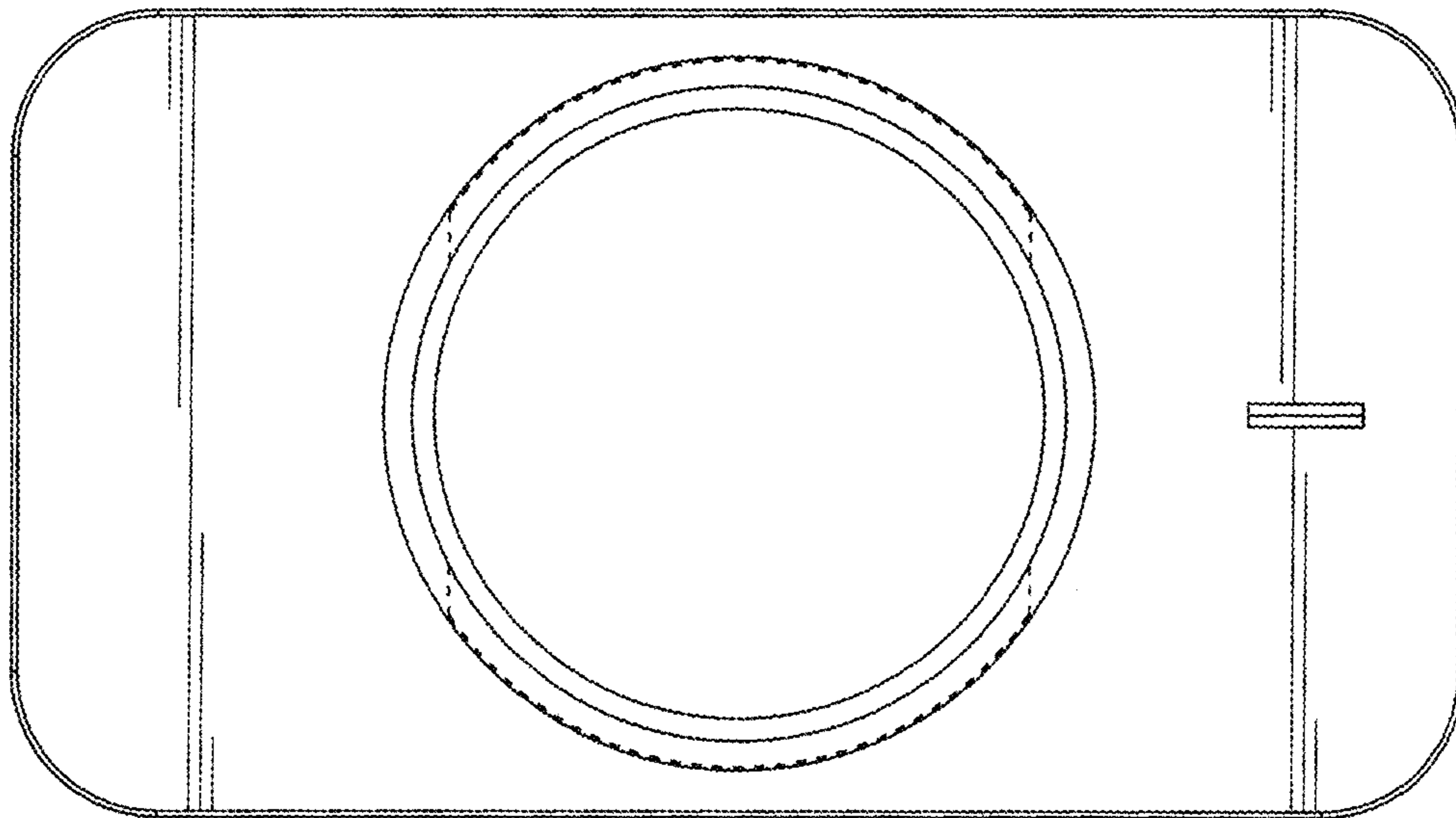


FIG. 8

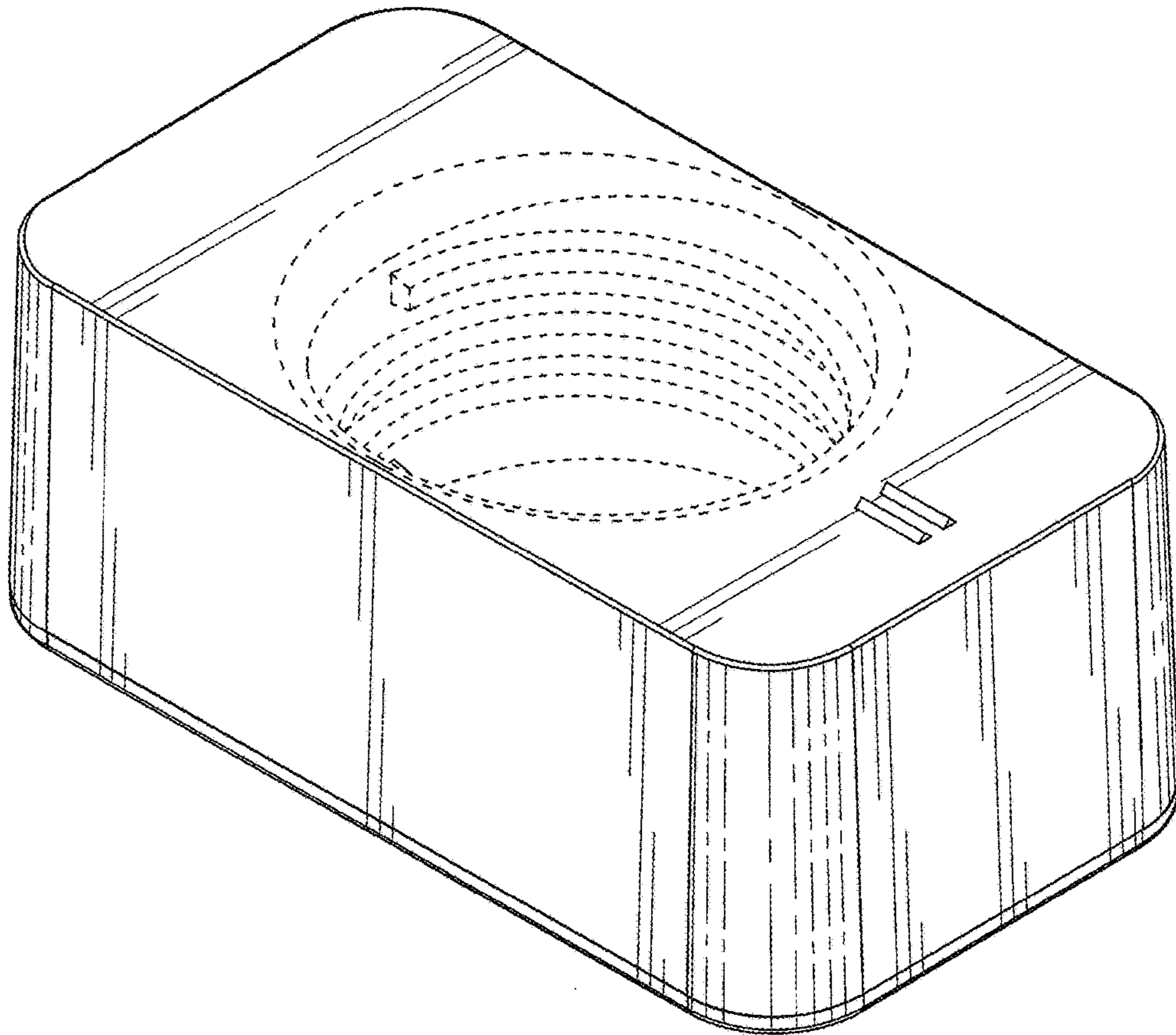


FIG. 9

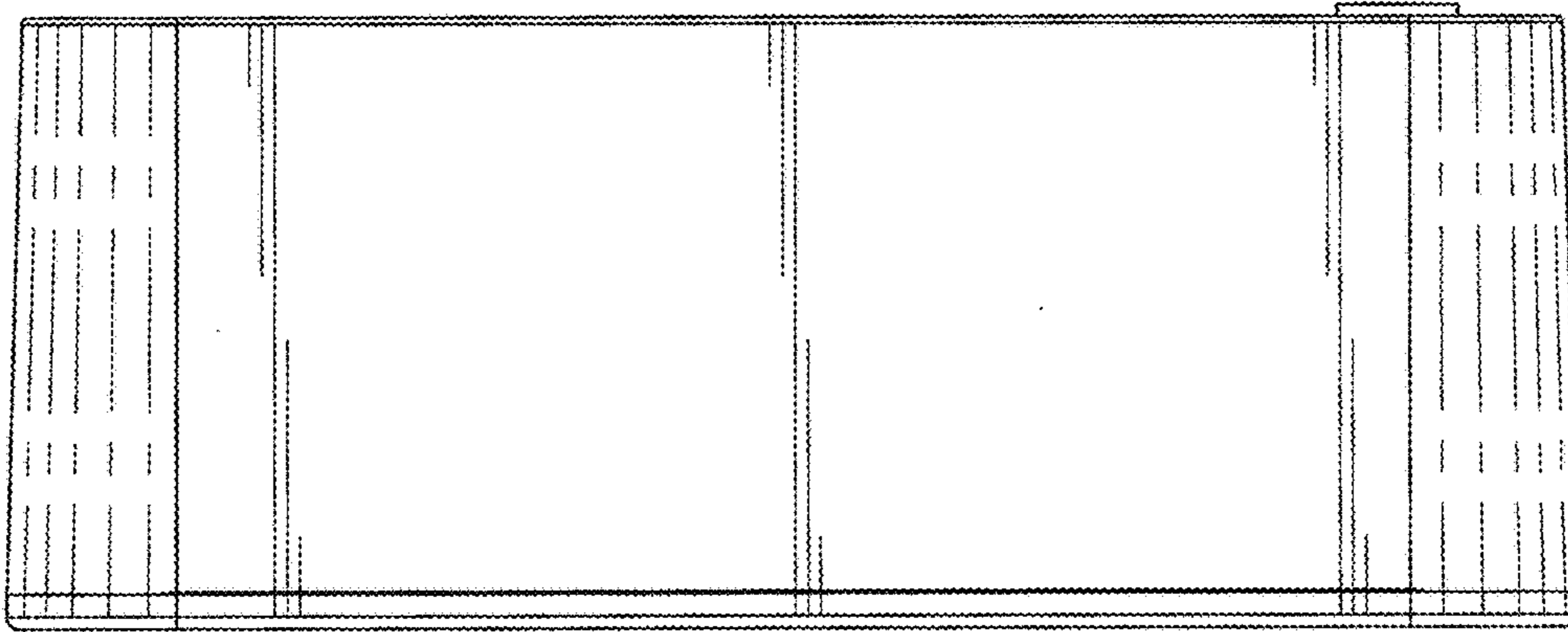


FIG. 10

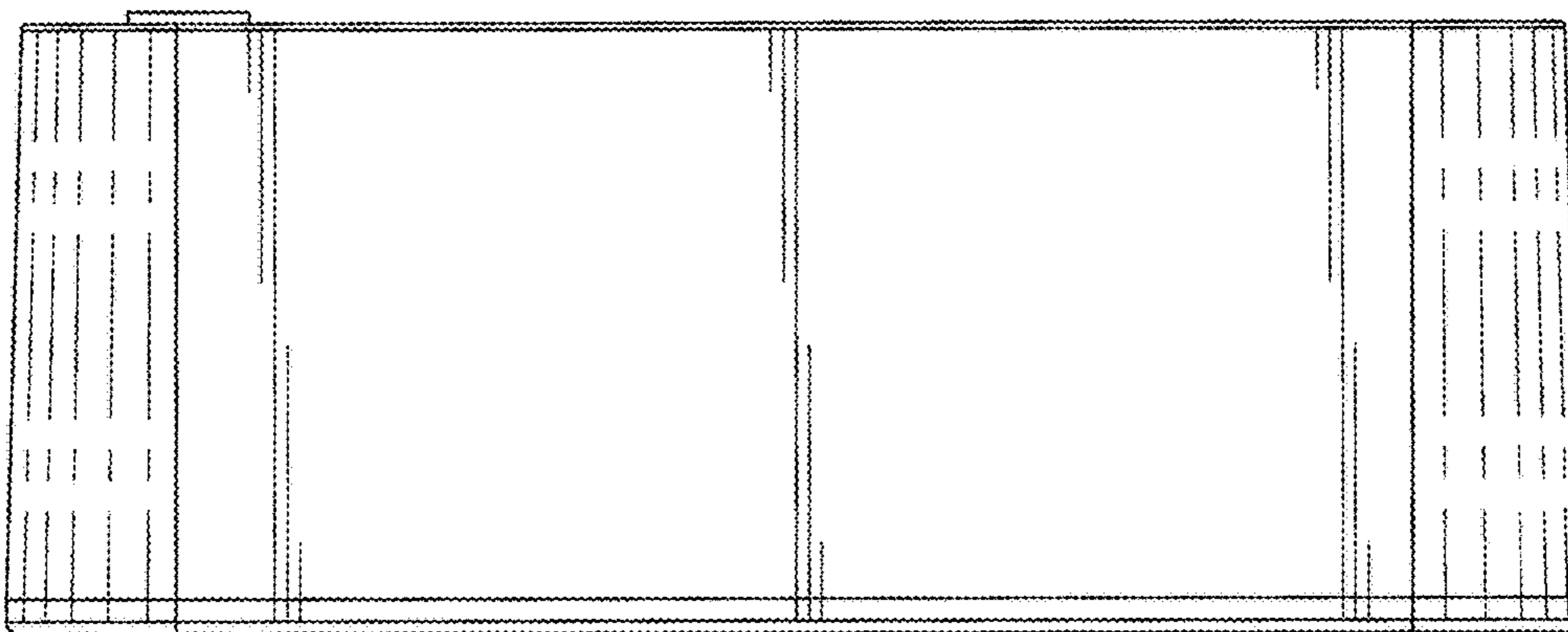


FIG. 11

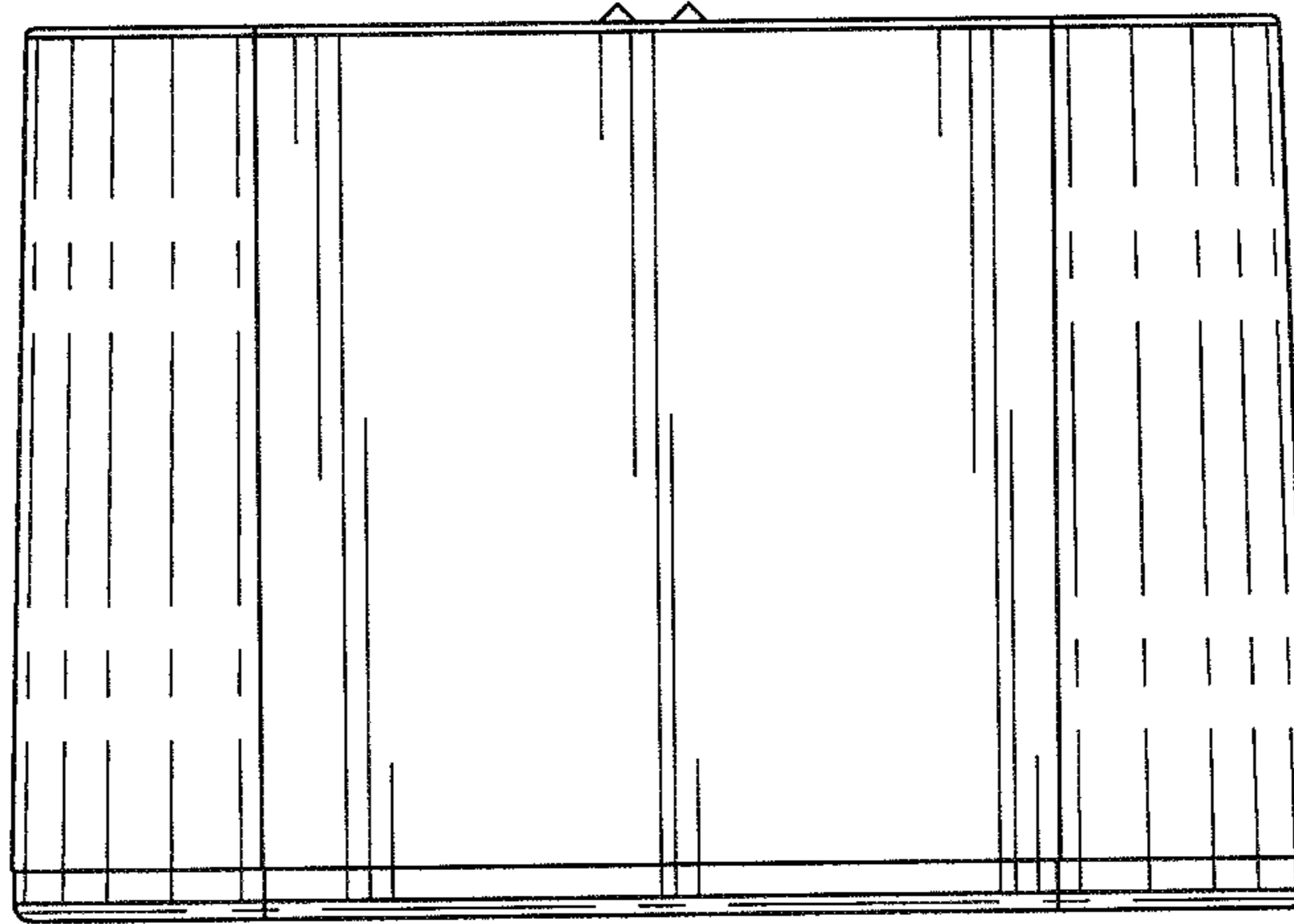


FIG. 12

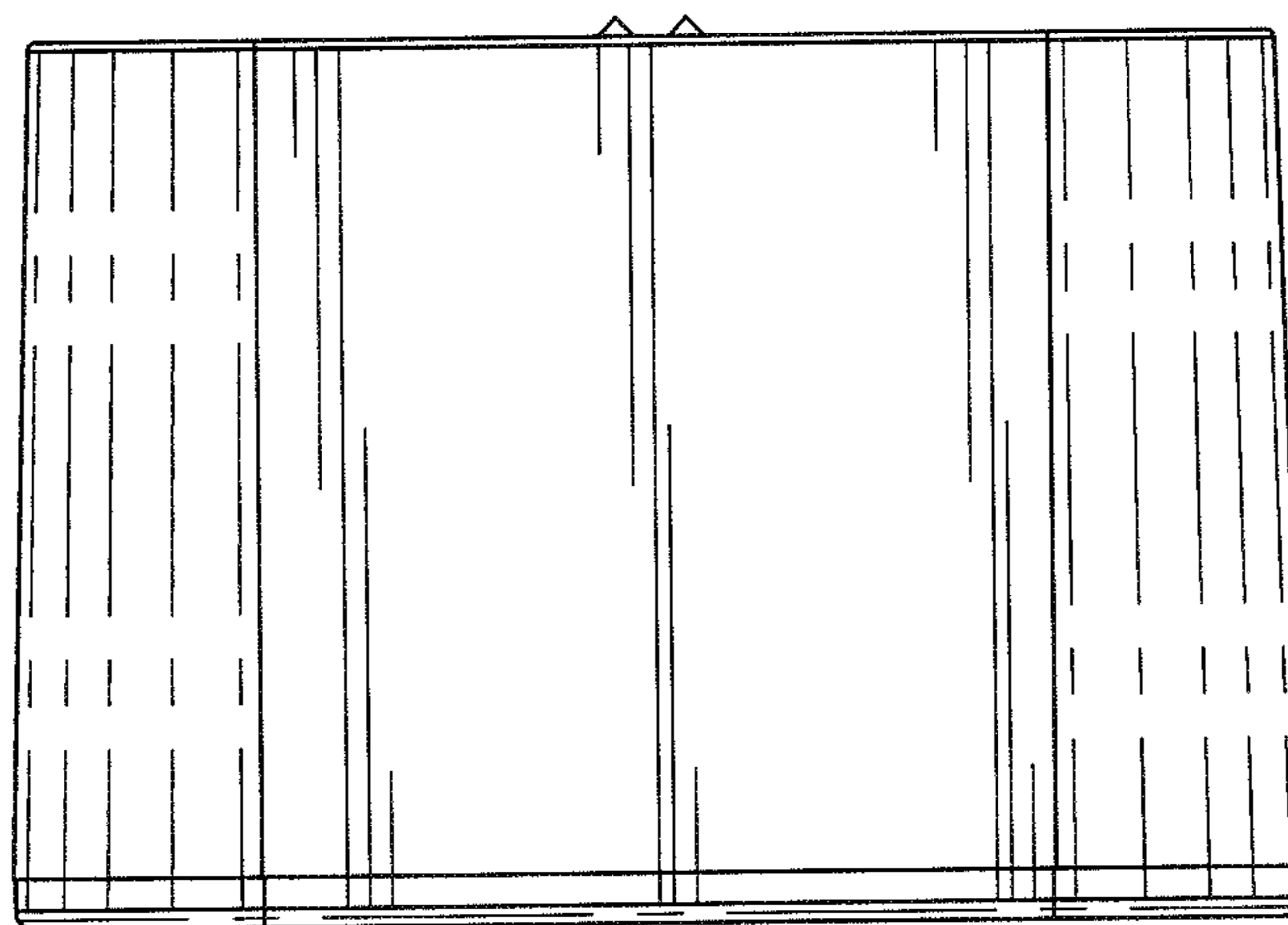


FIG. 13

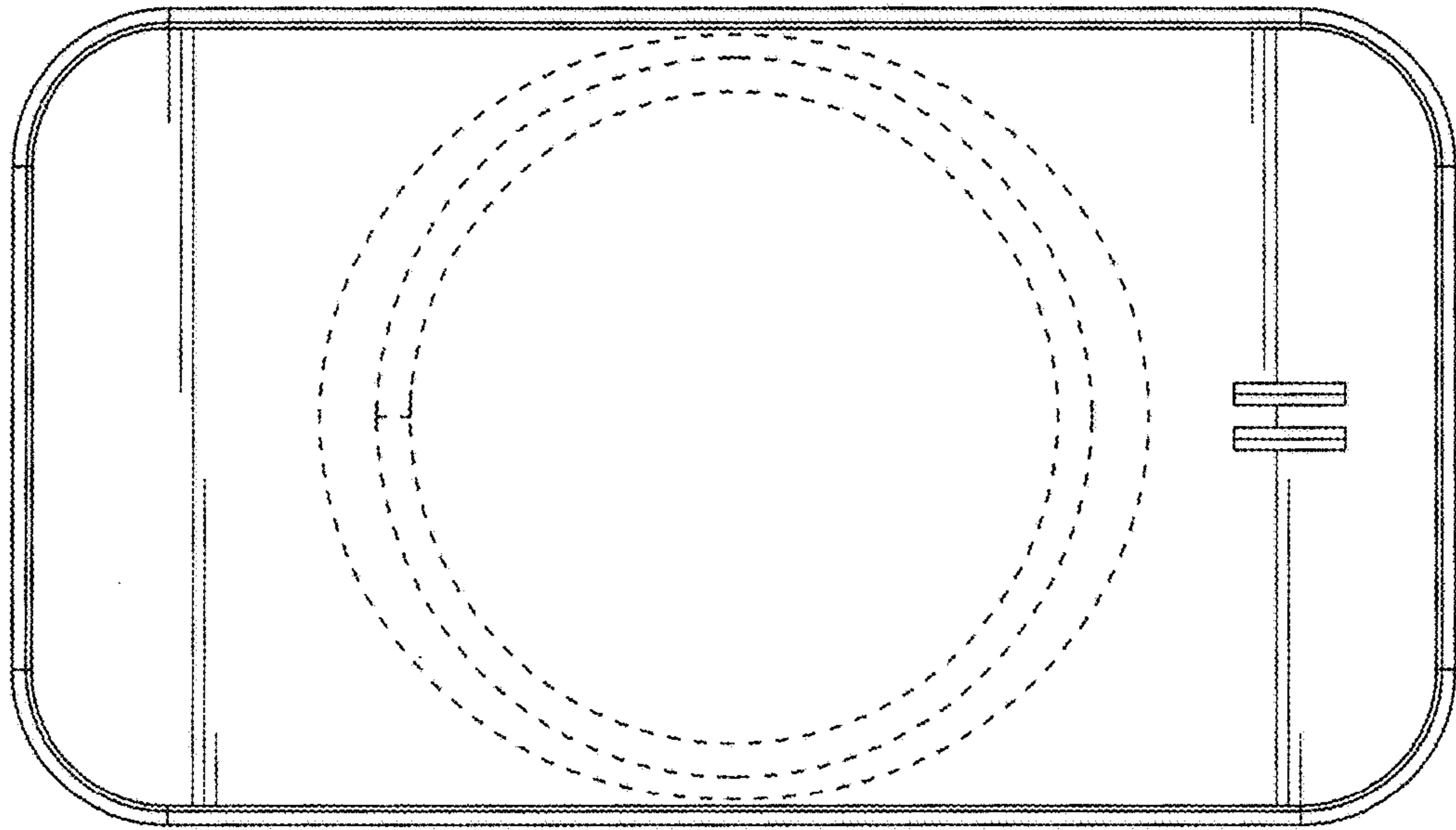


FIG. 14

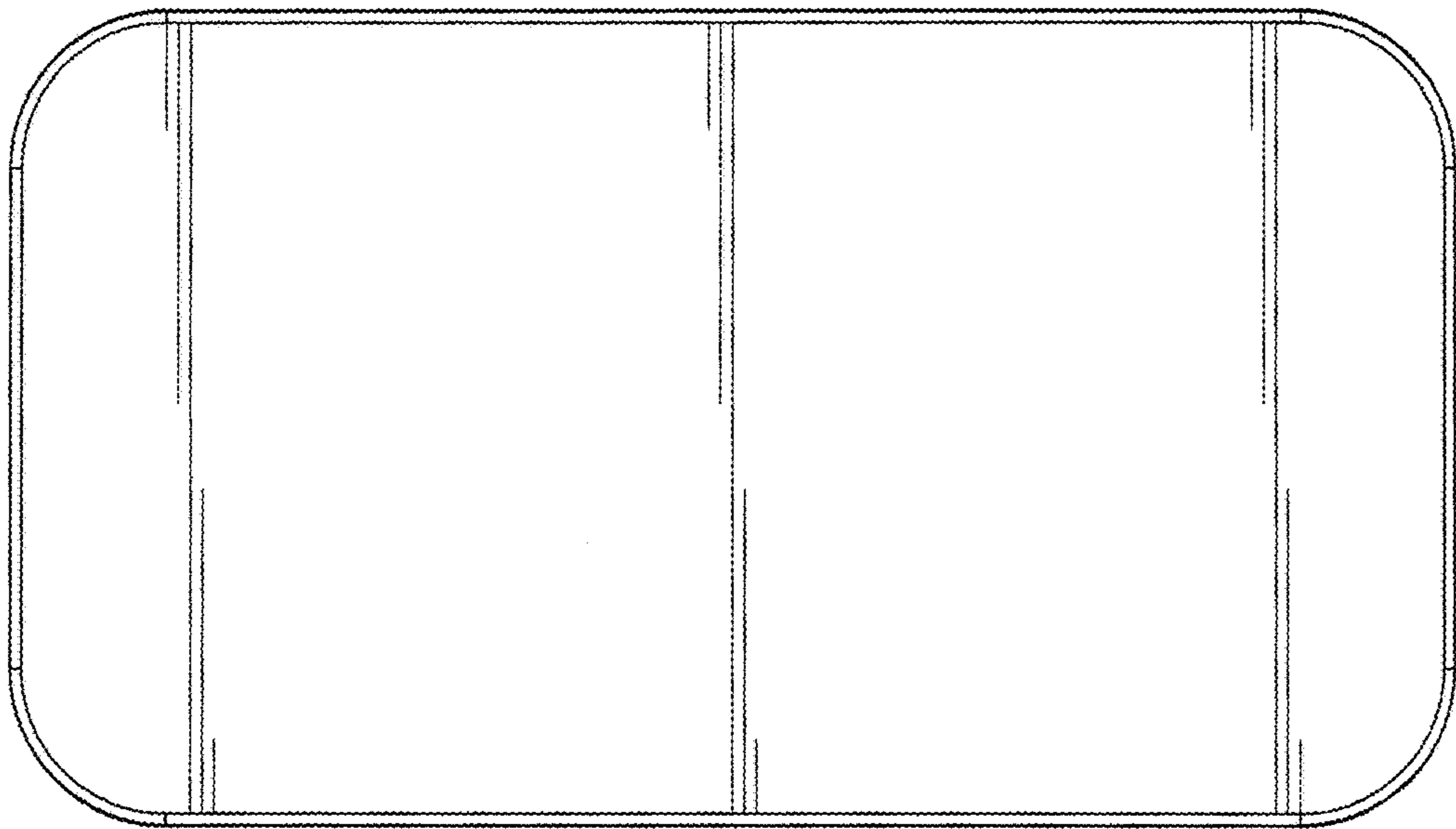
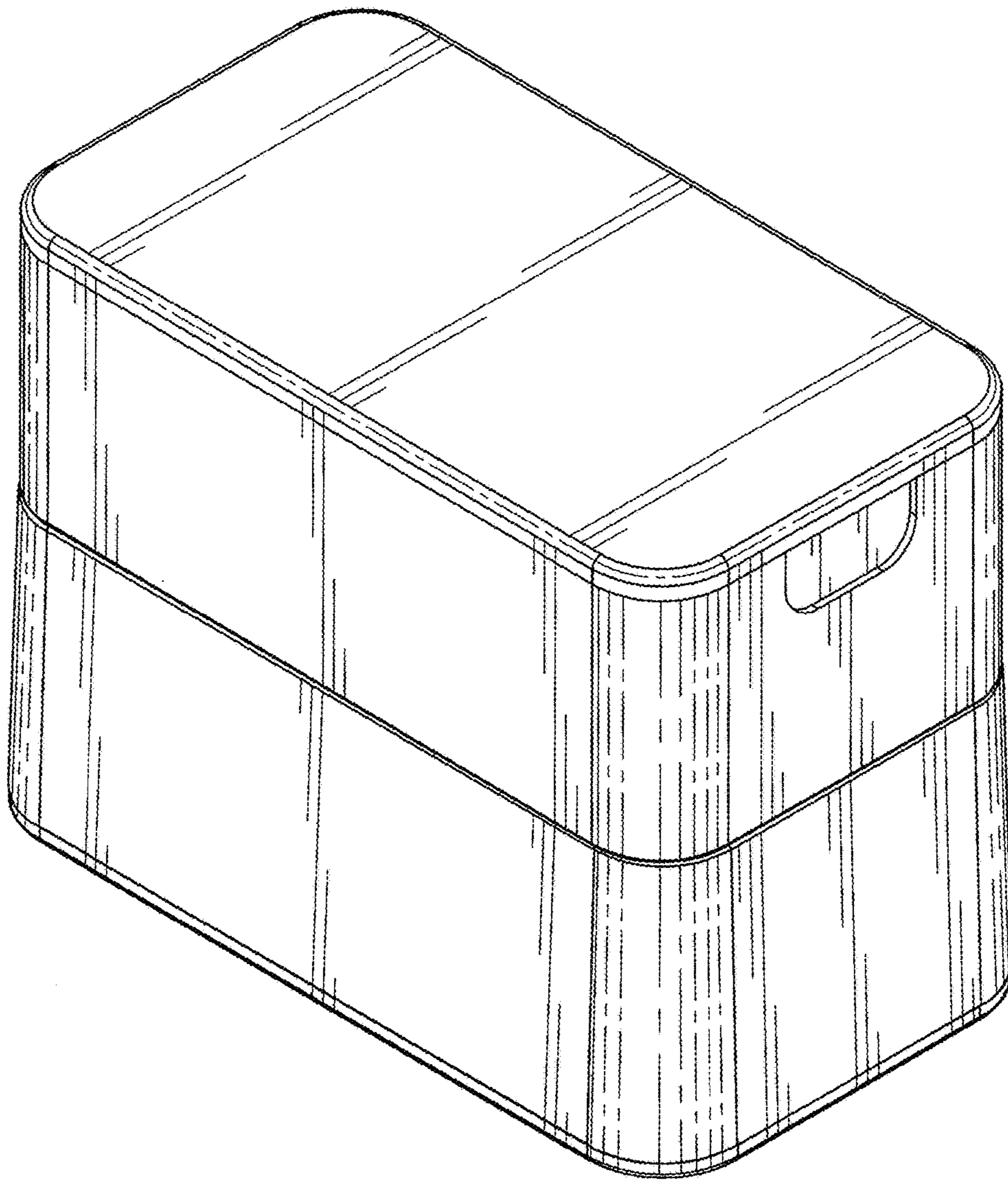


FIG. 15



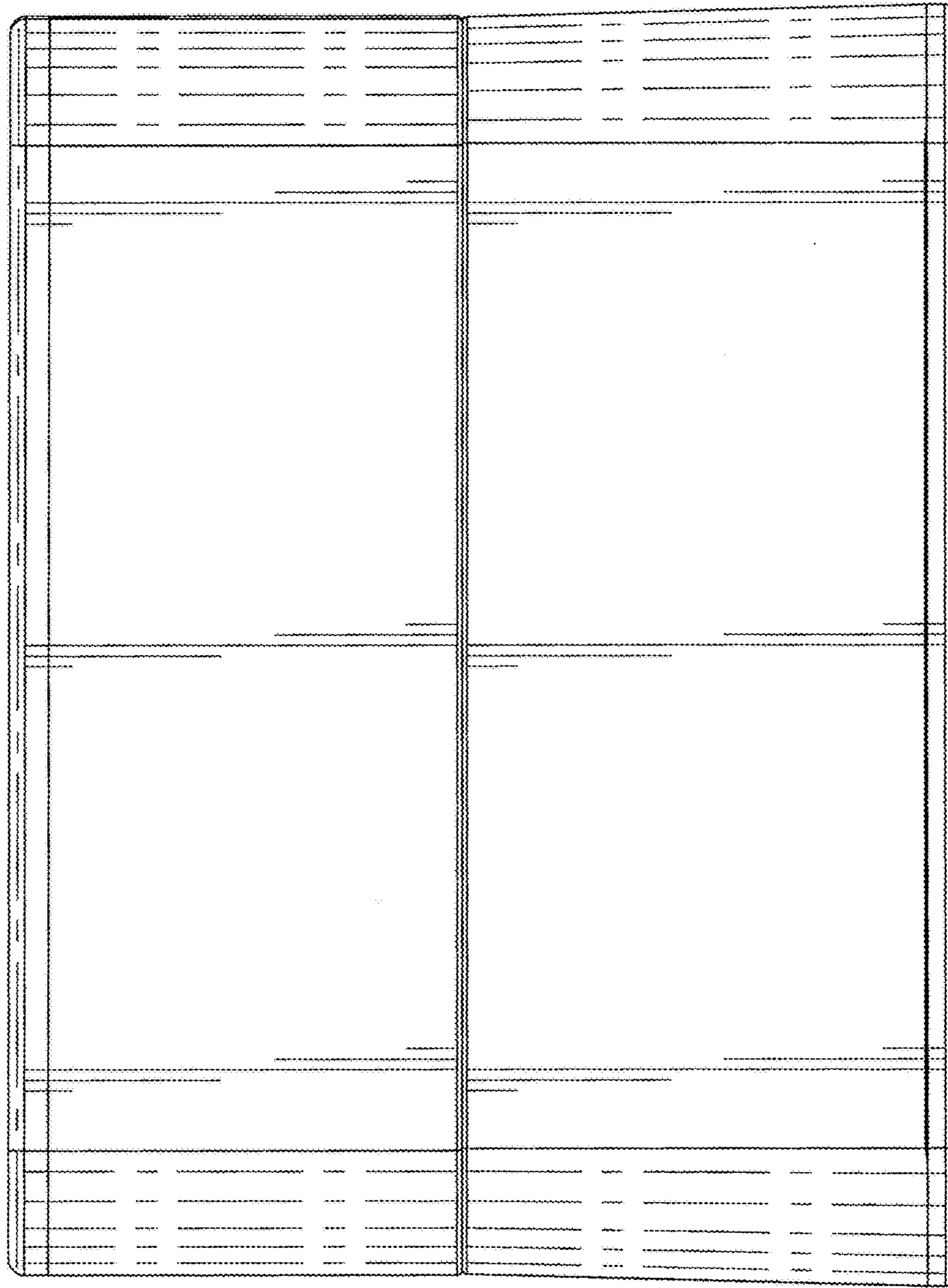


FIG. 16

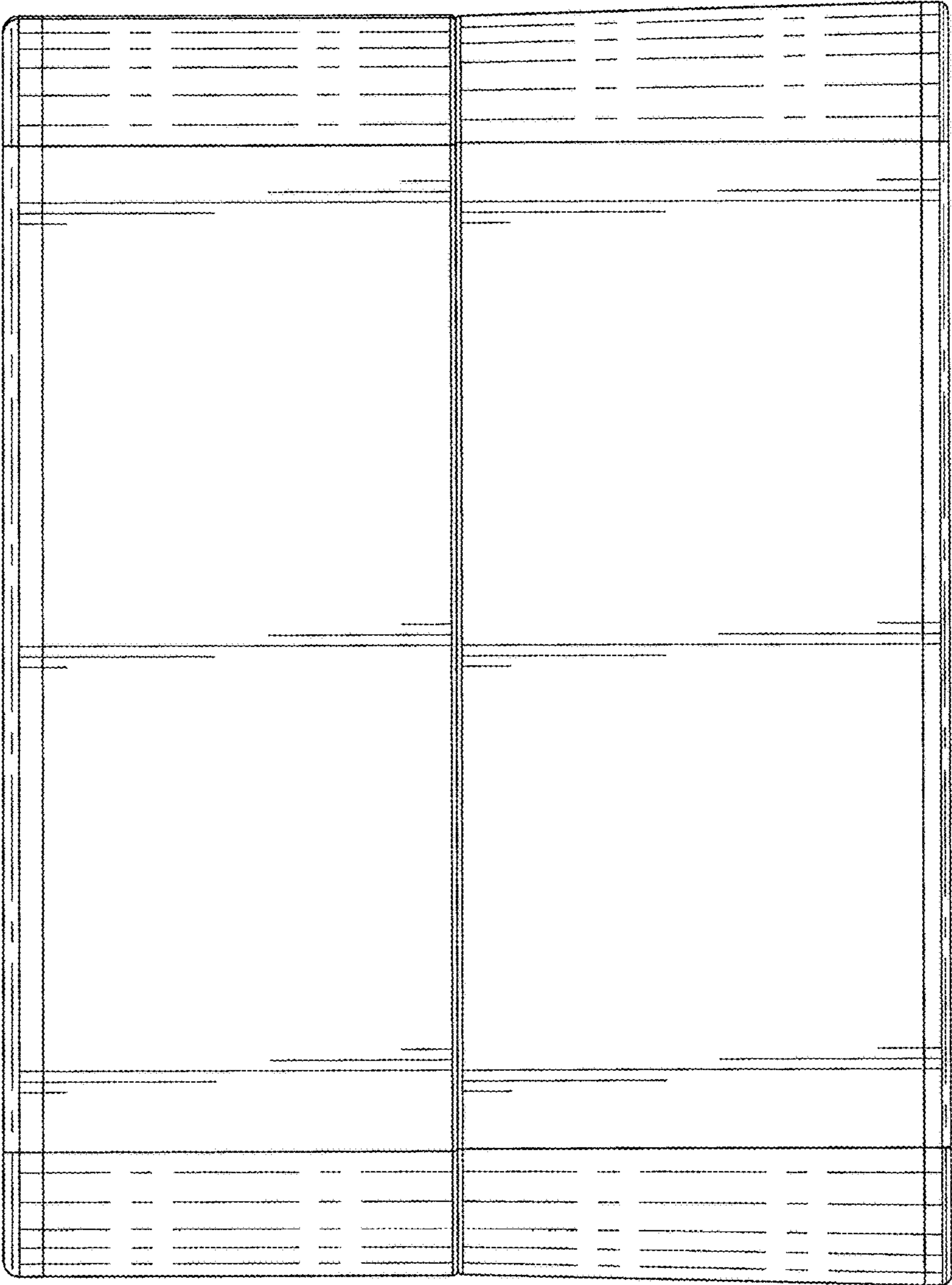


FIG. 17

FIG. 19

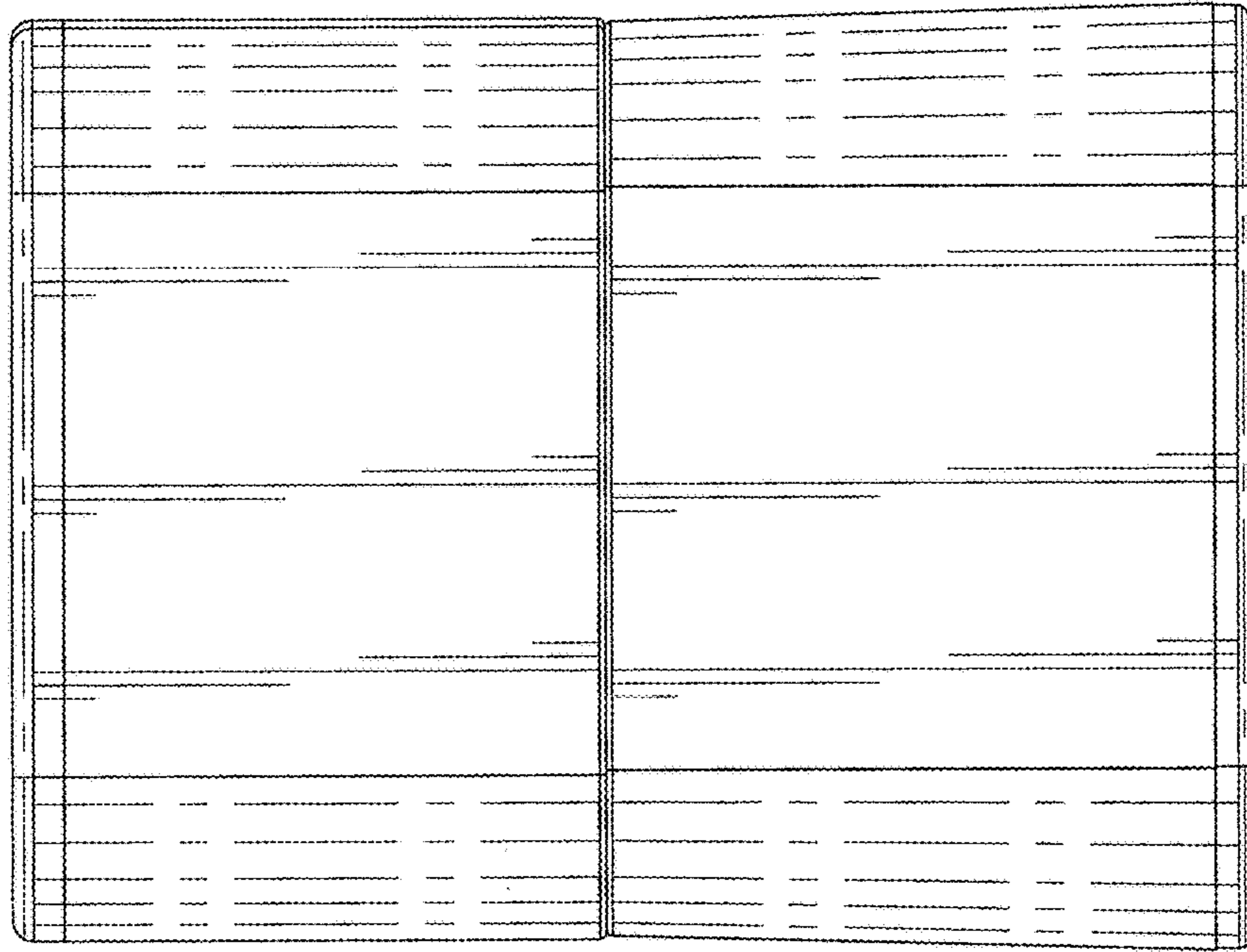
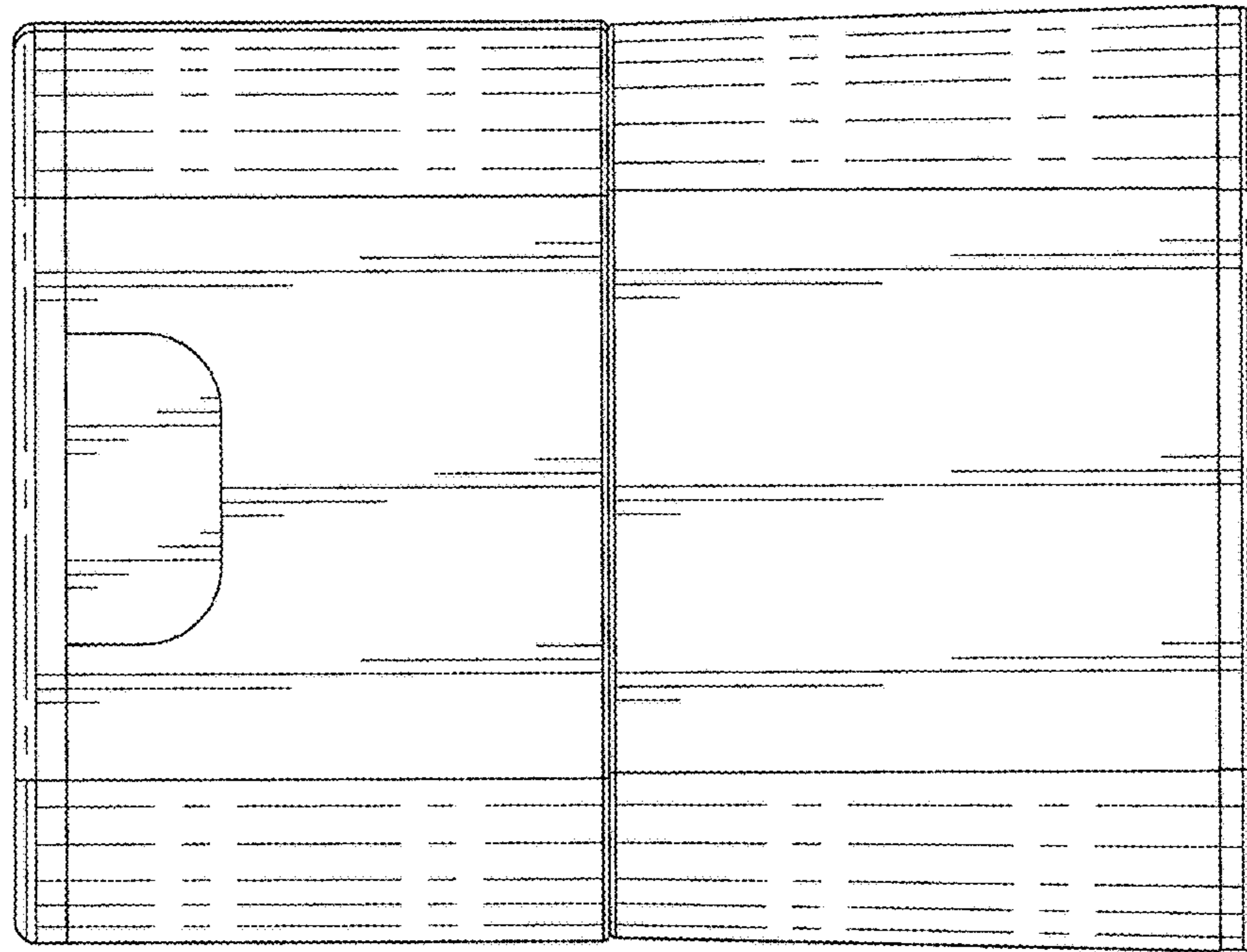


FIG. 18



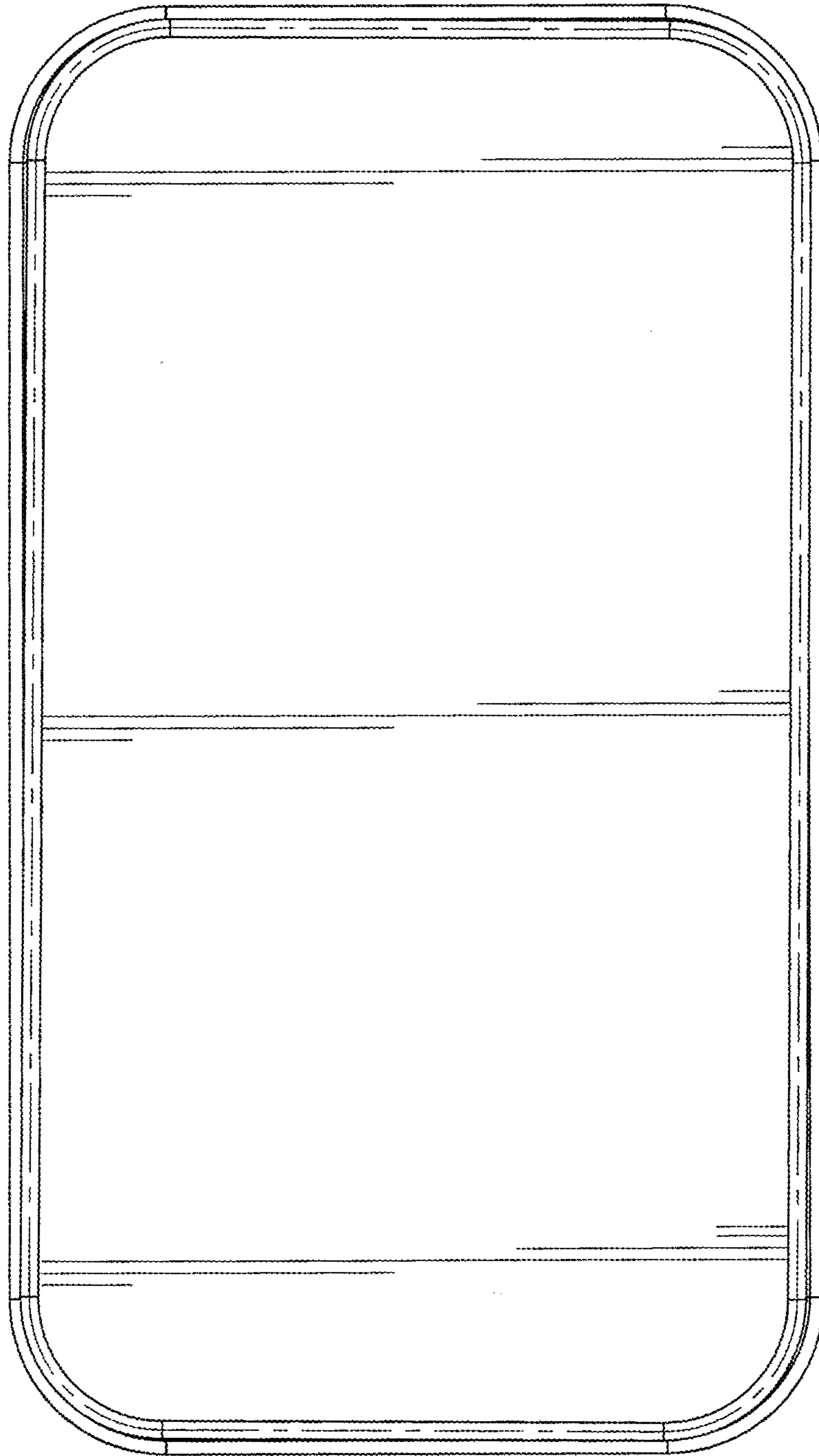


FIG. 20

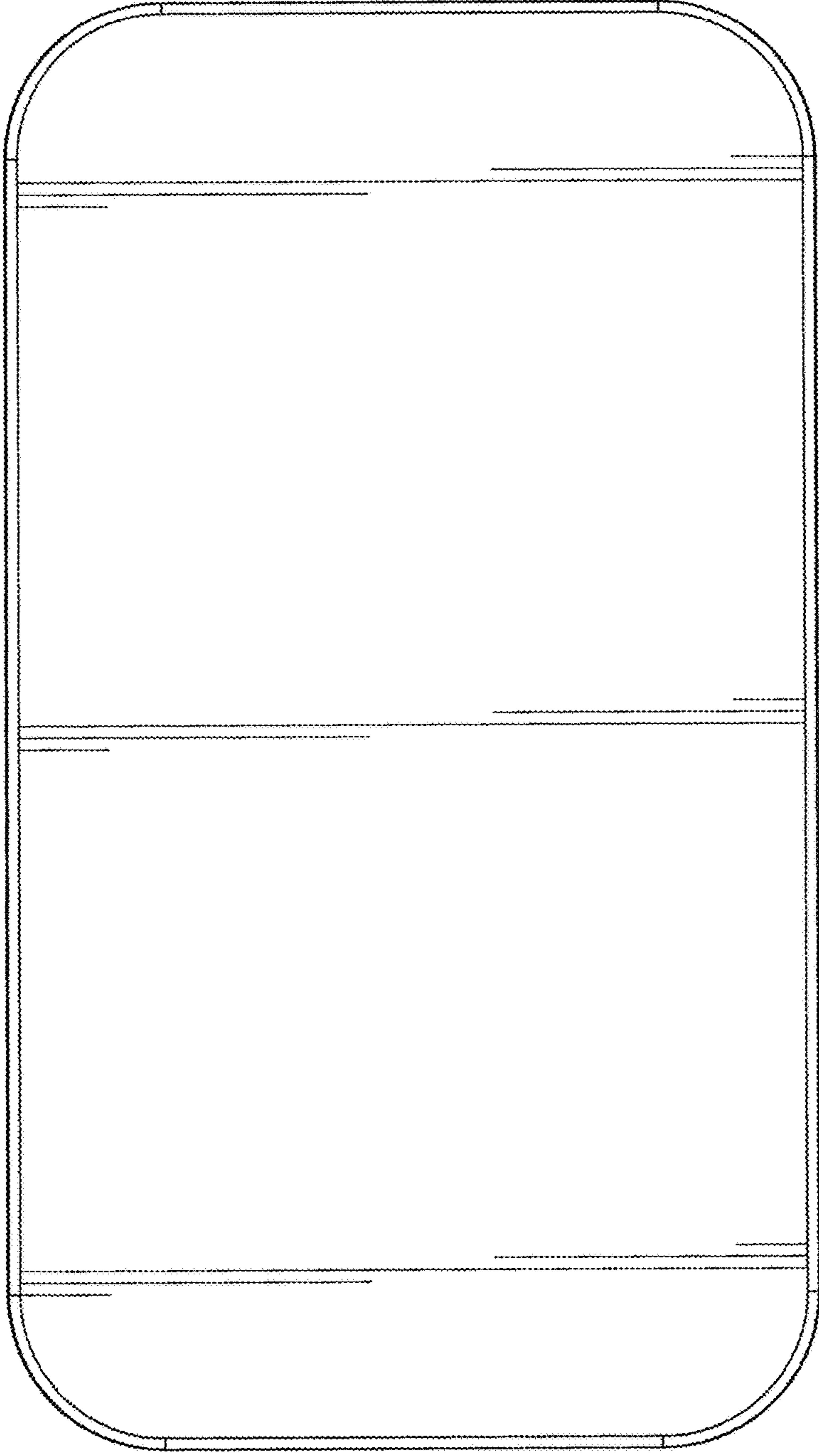


FIG. 21

FIG. 22

