



US00D809152S

(12) **United States Design Patent**
Chan

(10) **Patent No.:** **US D809,152 S**
(45) **Date of Patent:** **** Jan. 30, 2018**

(54) **DISINFECTION DRYER FOR HEARING AID**

D704,349 S * 5/2014 Williams D24/217
D723,792 S * 3/2015 Anderson D3/201
D772,572 S * 11/2016 Palmberg D3/294

(71) Applicant: **Kapak Company Limited**, Hong Kong (HK)

* cited by examiner

(72) Inventor: **Kevin Ka Fai Chan**, Hong Kong (HK)

Primary Examiner — Anhdao Doan

(**) Term: **15 Years**

(74) *Attorney, Agent, or Firm* — Novoclaims Patent Services LLC; Mei Lin Wong

(21) Appl. No.: **29/546,456**

(57) **CLAIM**

The ornamental design for a disinfection dryer for hearing aid, as shown and described.

(22) Filed: **Nov. 23, 2015**

DESCRIPTION

(51) **LOC (11) Cl.** **24-01**

(52) **U.S. Cl.**

USPC **D24/217**

(58) **Field of Classification Search**

USPC D24/216, 217, 218, 219, 224–232;
D3/200, 203.1, 203.2, 294, 298; D9/420,
D9/435, 436, 447, 449, 450, 520; D32/1
CPC ... A61L 2/025; A61L 2/04; A61L 2/07; A61L
2/10; A61L 2/18; A61L 2/24; A61L 2/26;
A61L 2/28; A61L 2202/23; A61L
2202/24; A61L 2202/121; A61L
2202/122; A46B 17/06; B65D 47/28;
B65D 47/286

See application file for complete search history.

FIG. 1 is a perspective view of a disinfection dryer for hearing aid showing my new design.

FIG. 2 is another perspective view thereof.

FIG. 3 is a front view thereof.

FIG. 4 is a rear view thereof.

FIG. 5 is a left end view thereof.

FIG. 6 is a right end view thereof.

FIG. 7 is a top view thereof.

FIG. 8 is a bottom view thereof.

FIG. 9 is a perspective view thereof showing an open position.

FIG. 10 is a perspective view of a disinfection dryer for hearing aid showing my new design according to a second embodiment in which the cover is non-transparent.

FIG. 11 is another perspective view of FIG. 10.

FIG. 12 is a front view of FIG. 10.

FIG. 13 is a rear view thereof.

FIG. 14 is a left end view thereof.

FIG. 15 is a right end view thereof.

FIG. 16 is a top view thereof.

FIG. 17 is a bottom view thereof; and,

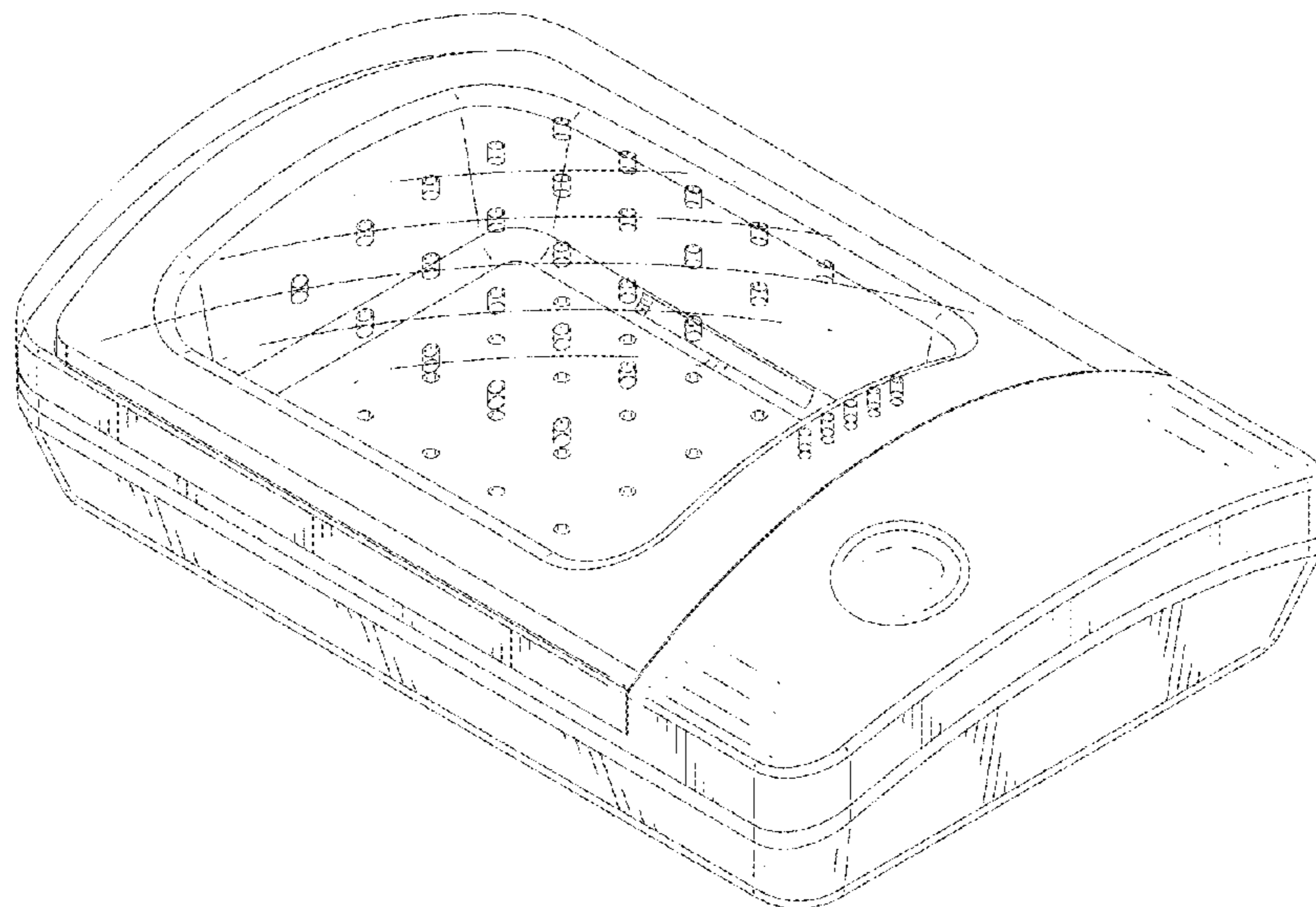
FIG. 18 is a perspective view thereof showing an open position.

(56) **References Cited**

U.S. PATENT DOCUMENTS

D318,329 S * 7/1991 Porteous D24/217
D467,394 S * 12/2002 Schumaier D32/1
D526,064 S * 8/2006 Wood D24/229
D536,491 S * 2/2007 Schumaier D32/1
D617,546 S * 6/2010 Foster D3/203.1
D622,406 S * 8/2010 Russell, II D24/217
D629,529 S * 12/2010 Russell, II D24/217
D655,503 S * 3/2012 Deguglimo D3/293
D680,225 S * 4/2013 Boonprasop D24/217

1 Claim, 18 Drawing Sheets



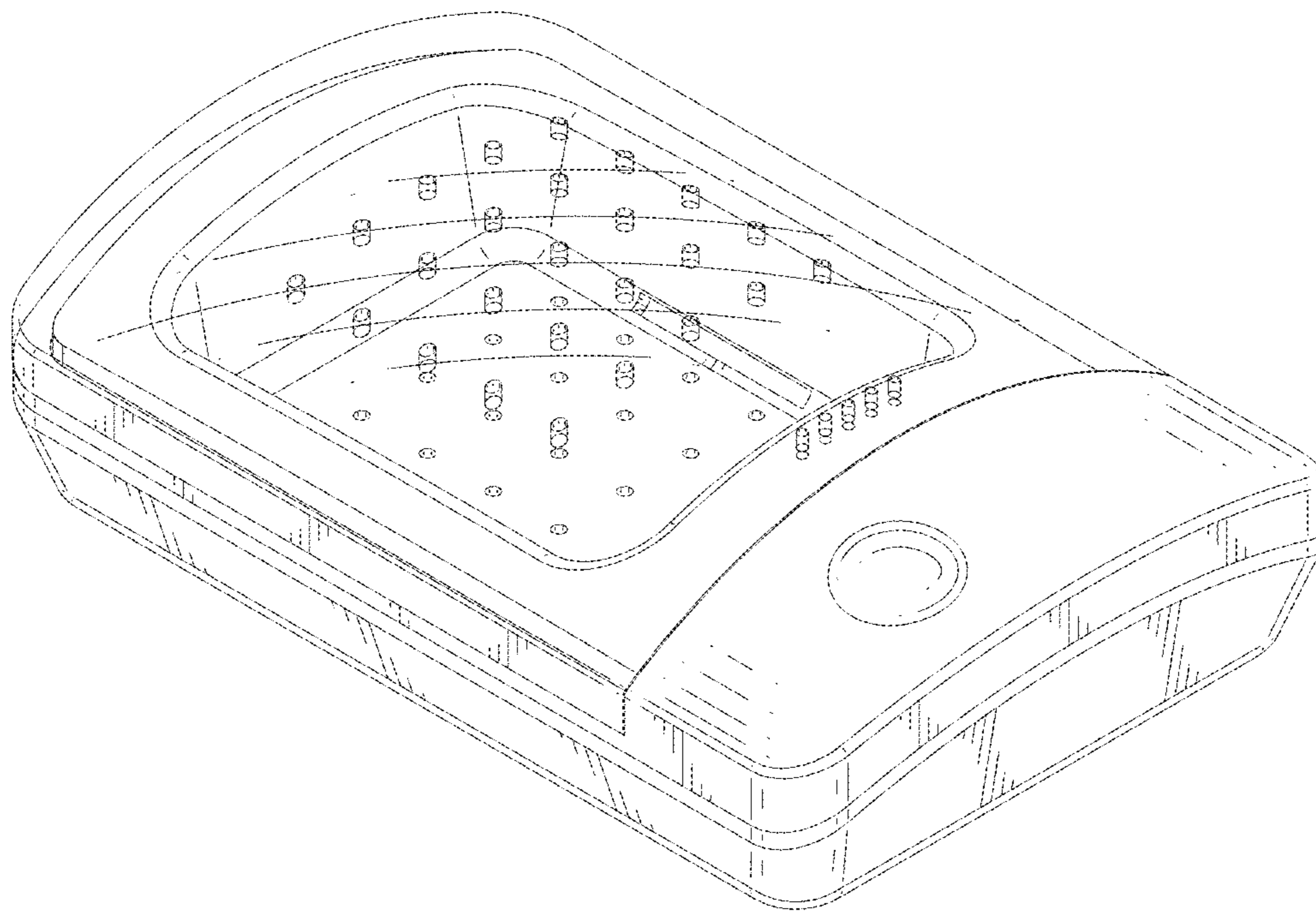


FIG.1

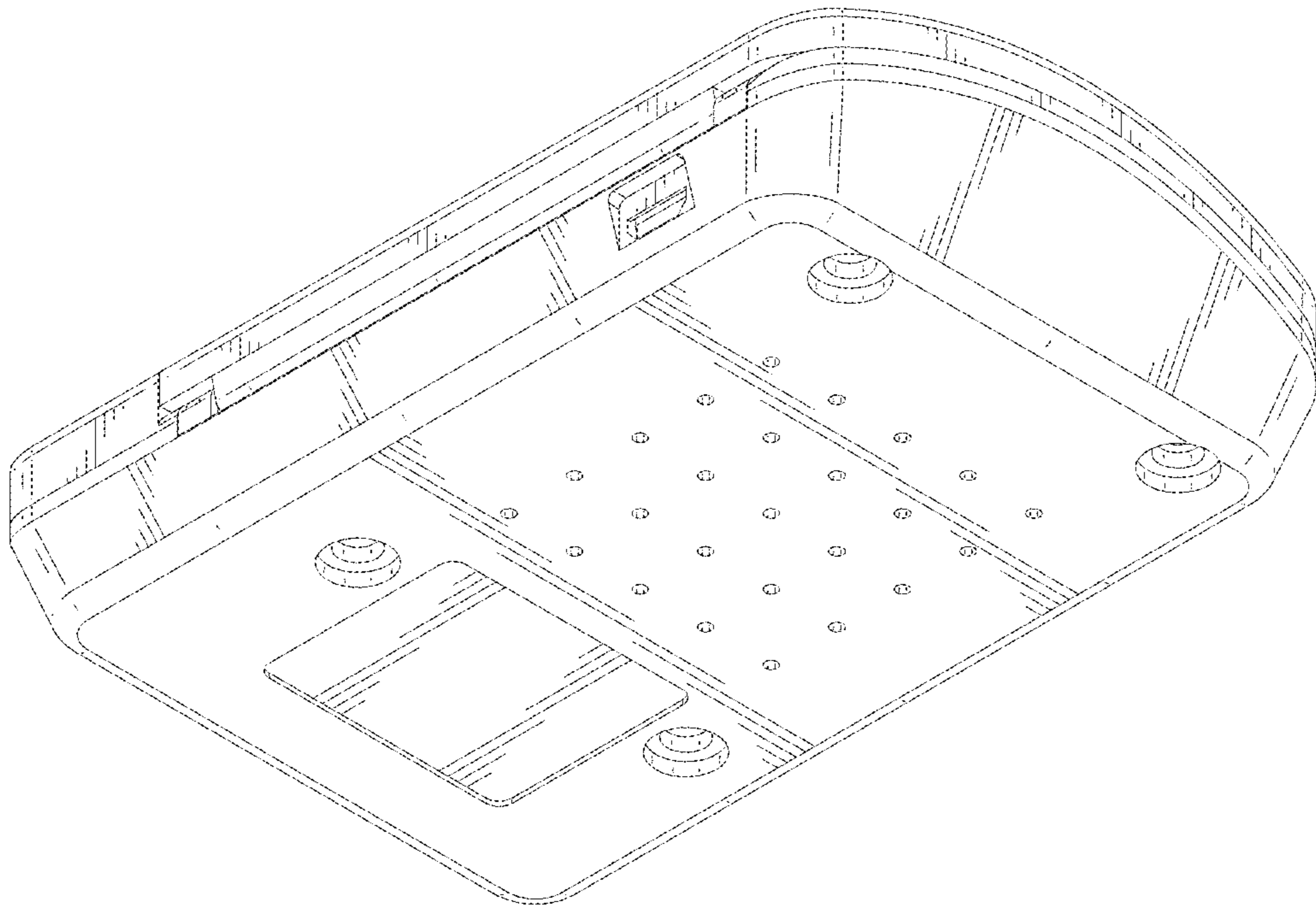


FIG.2

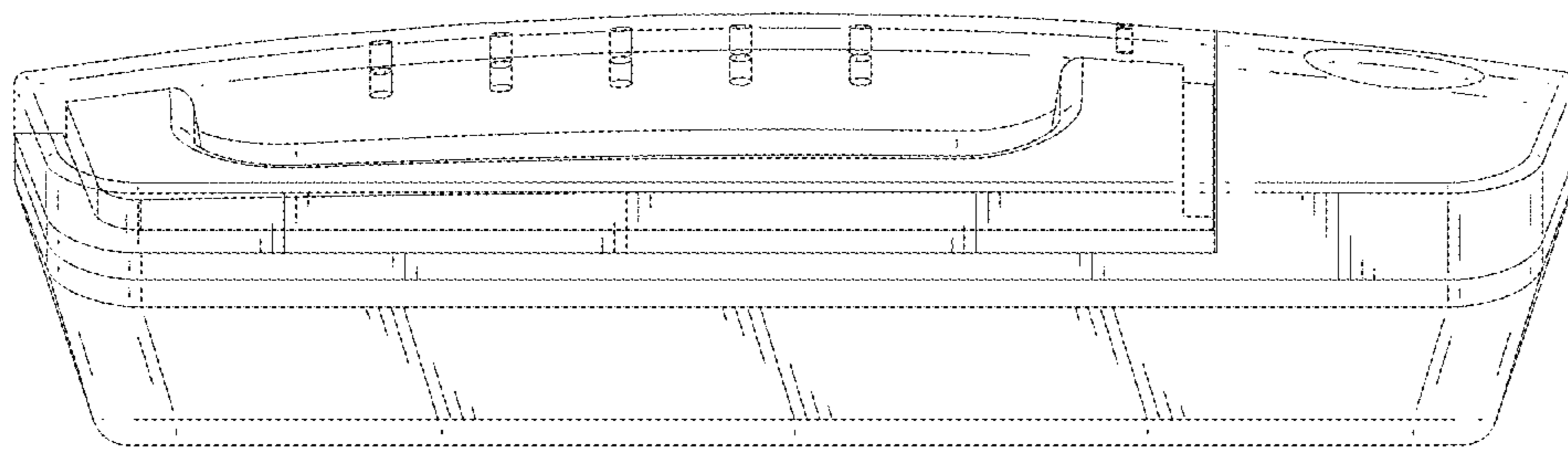


FIG.3

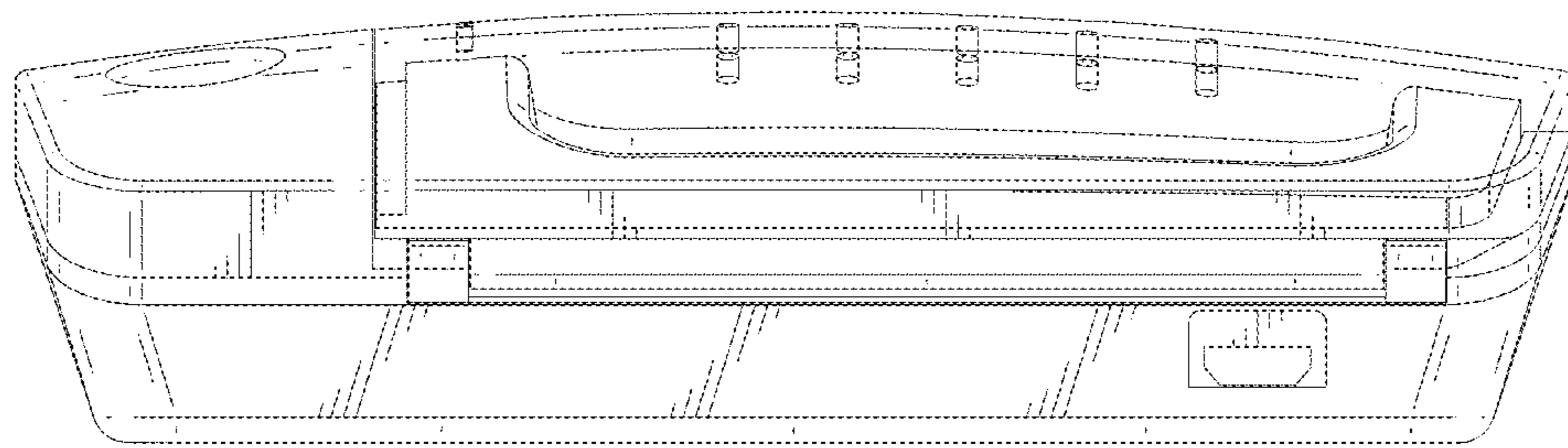


FIG.4

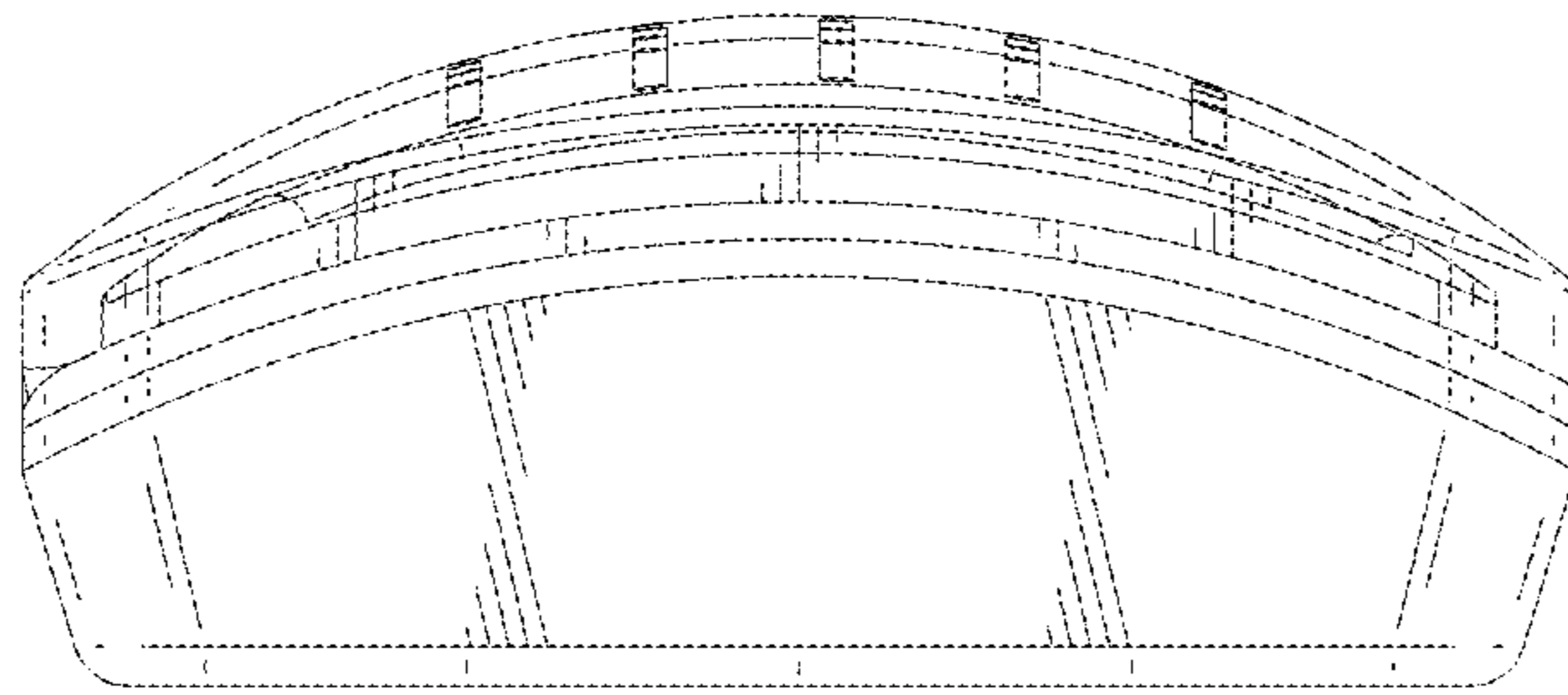


FIG.5

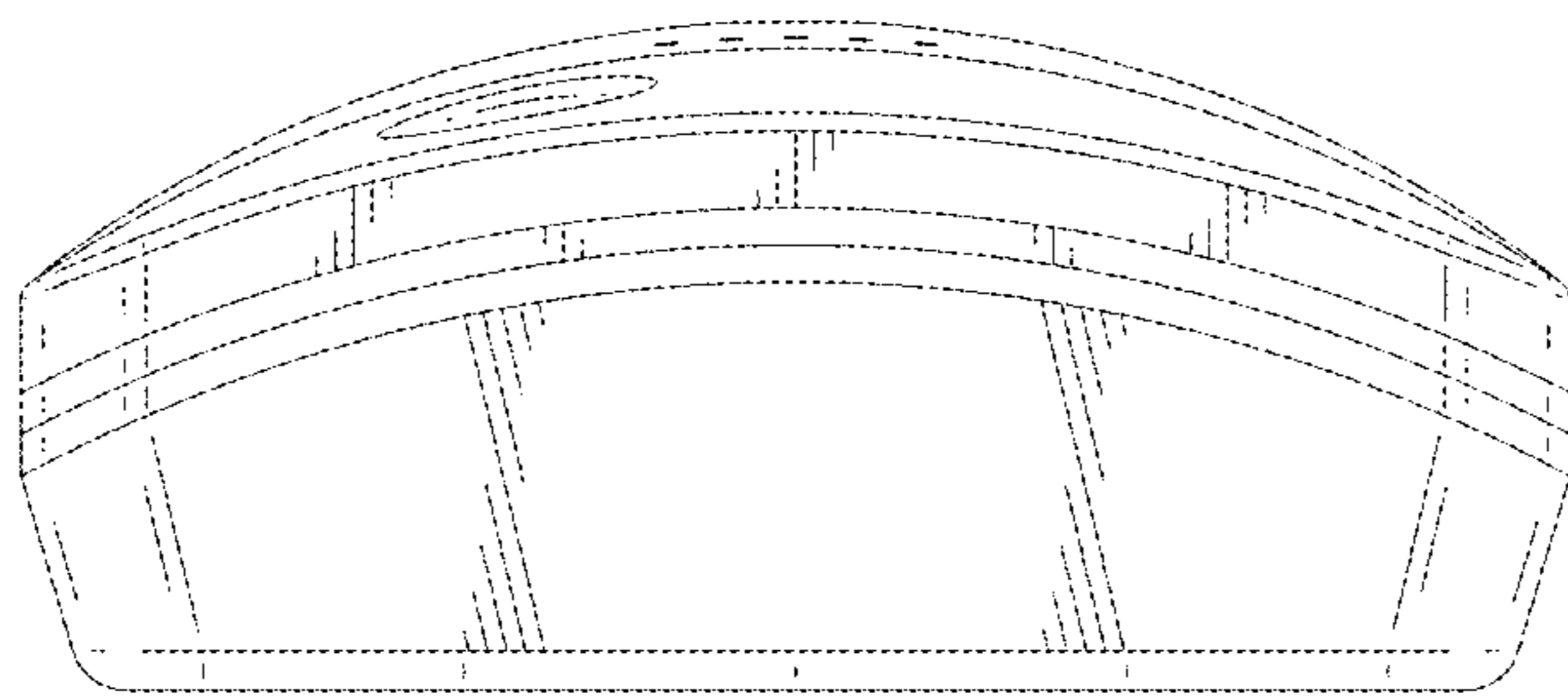


FIG.6

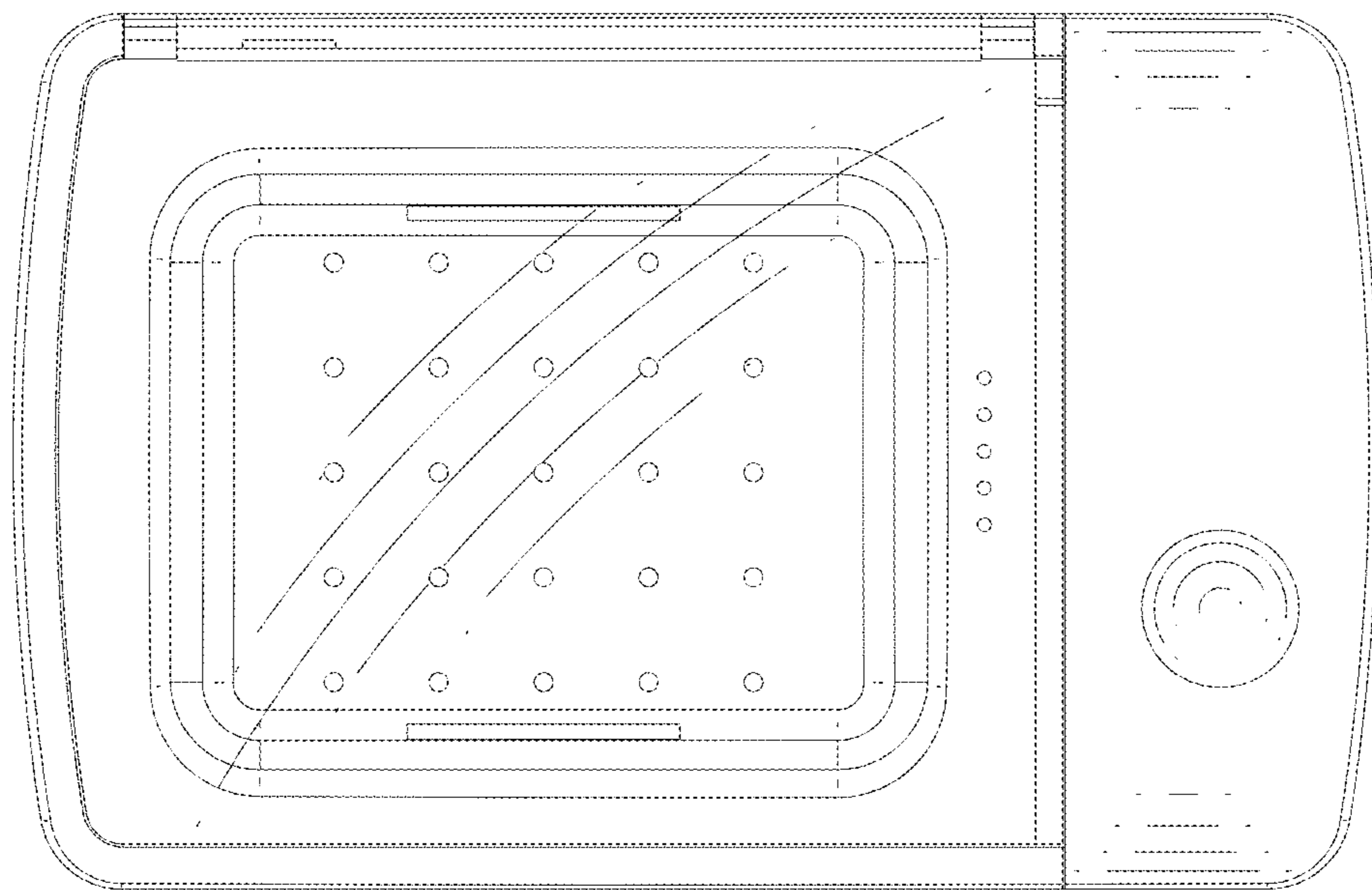


FIG.7

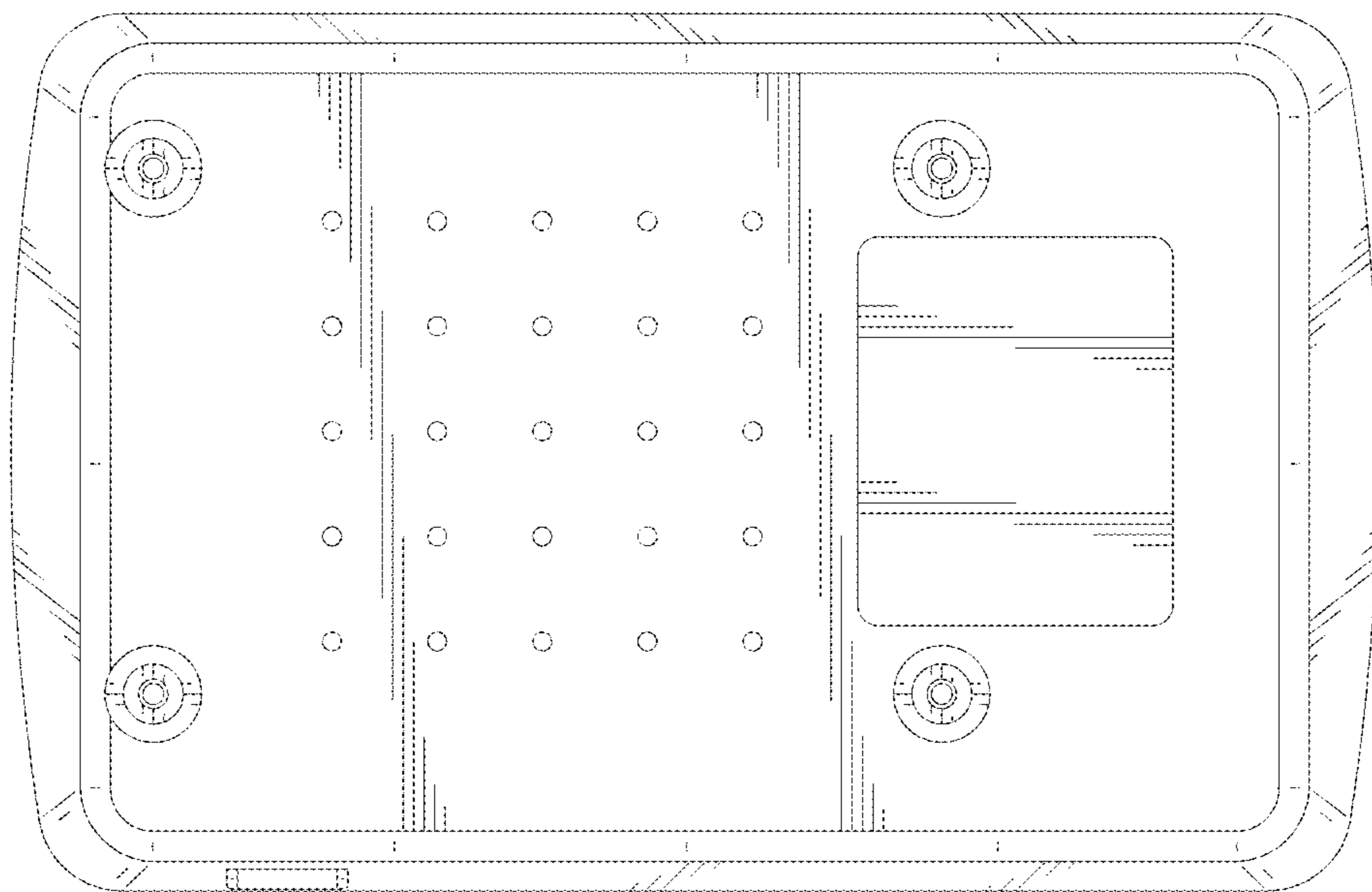


FIG.8

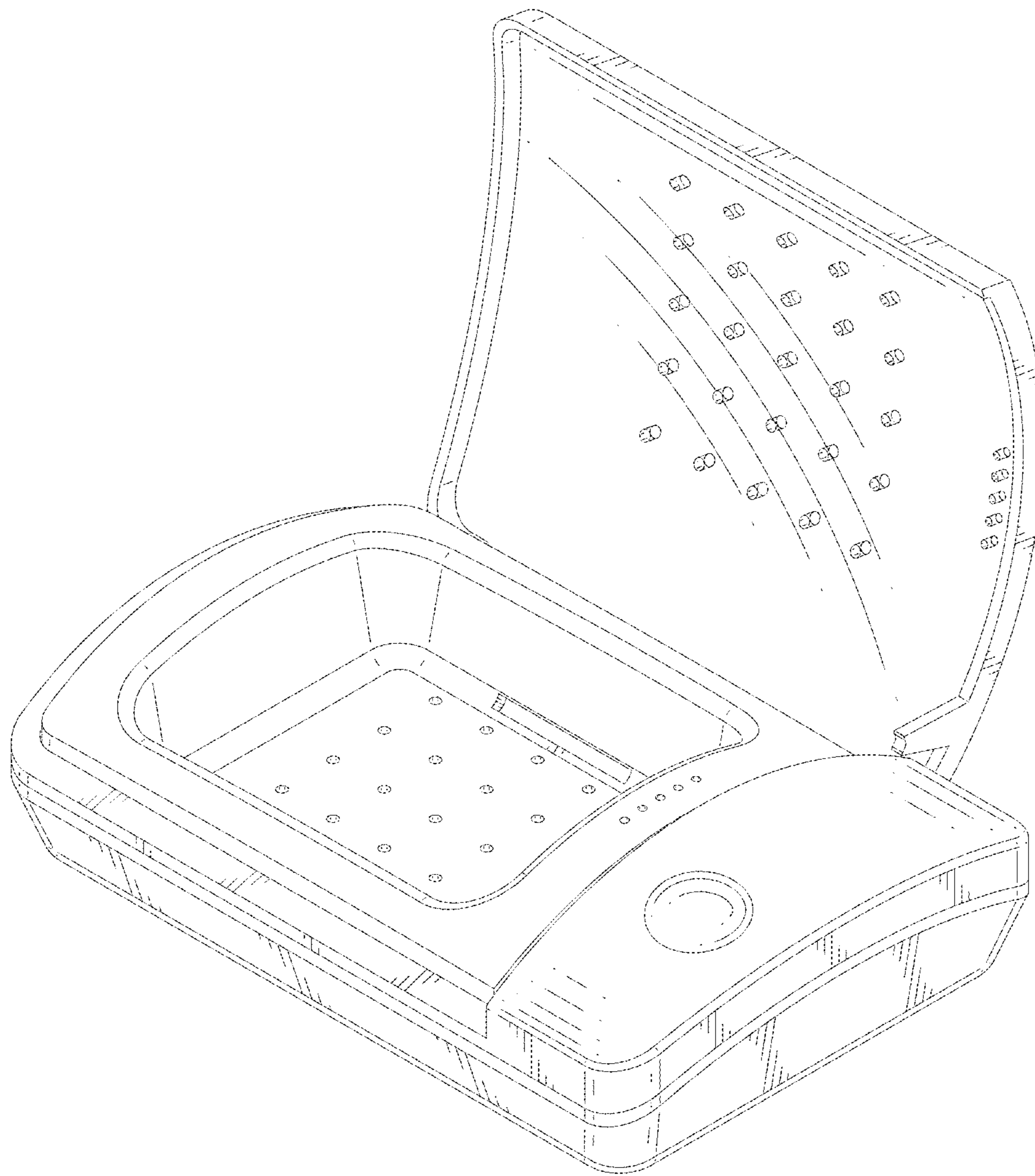


FIG.9

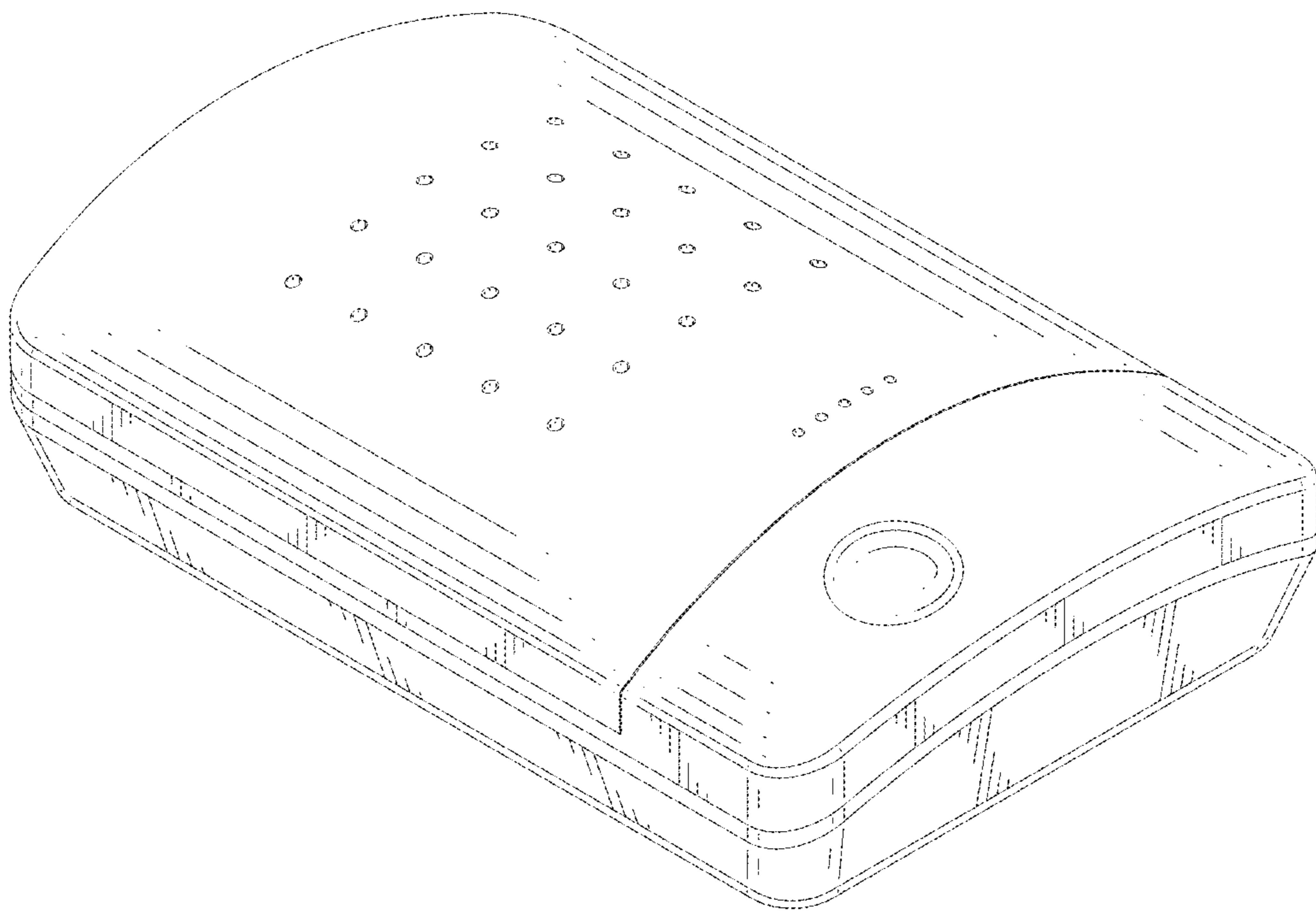


FIG.10

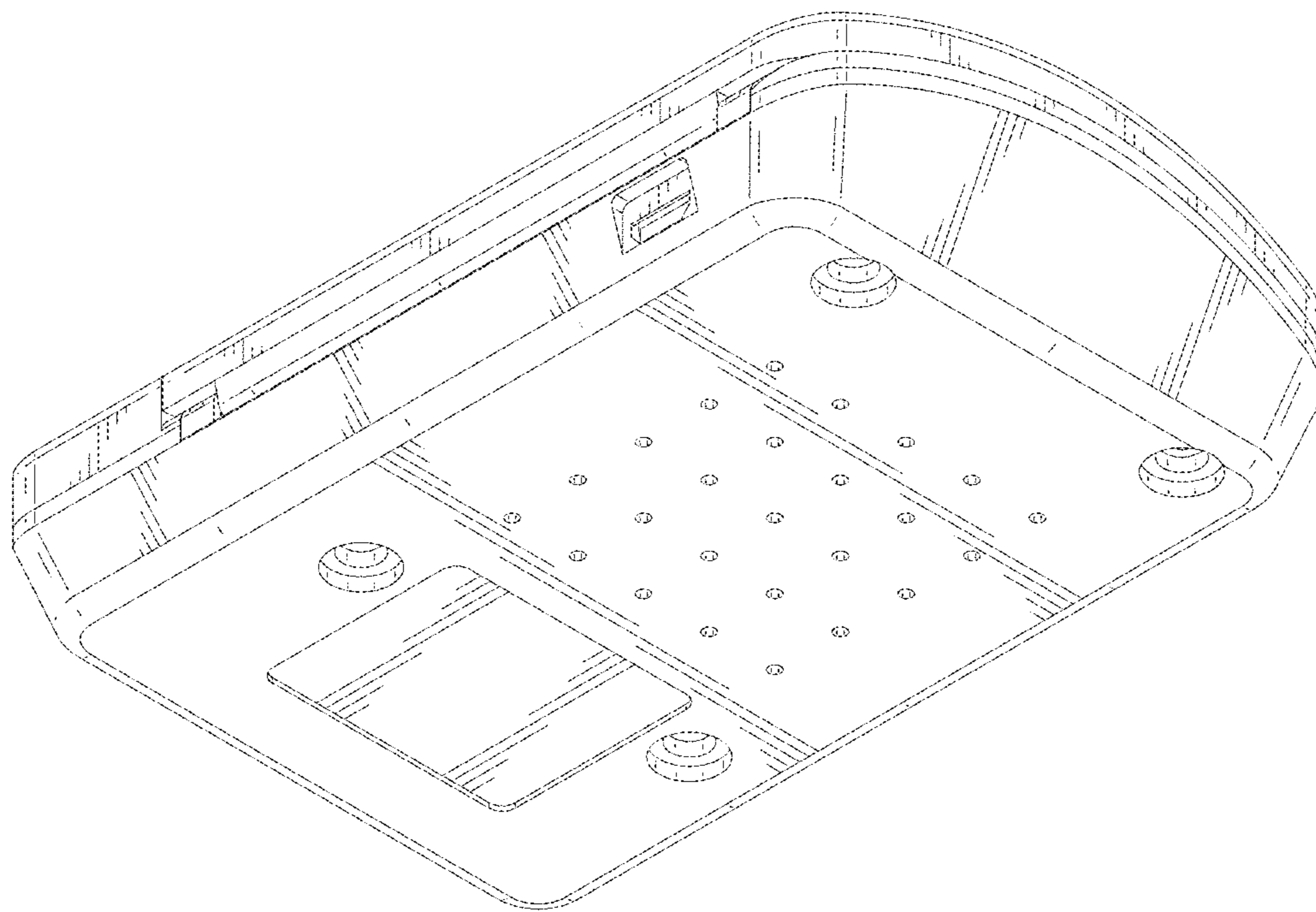


FIG.11

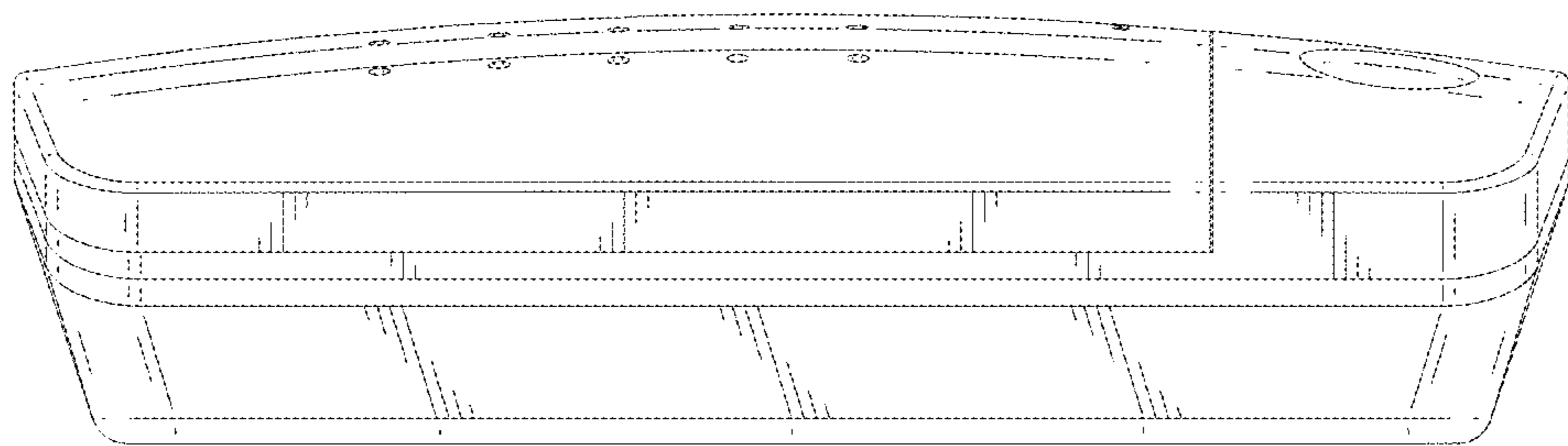


FIG.12

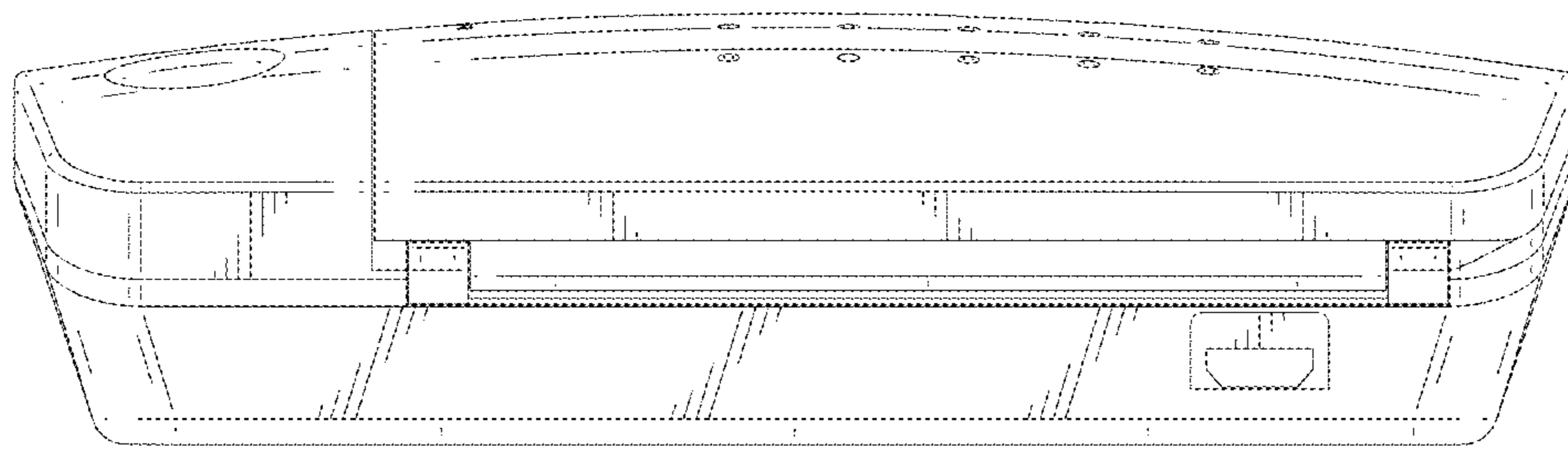


FIG.13

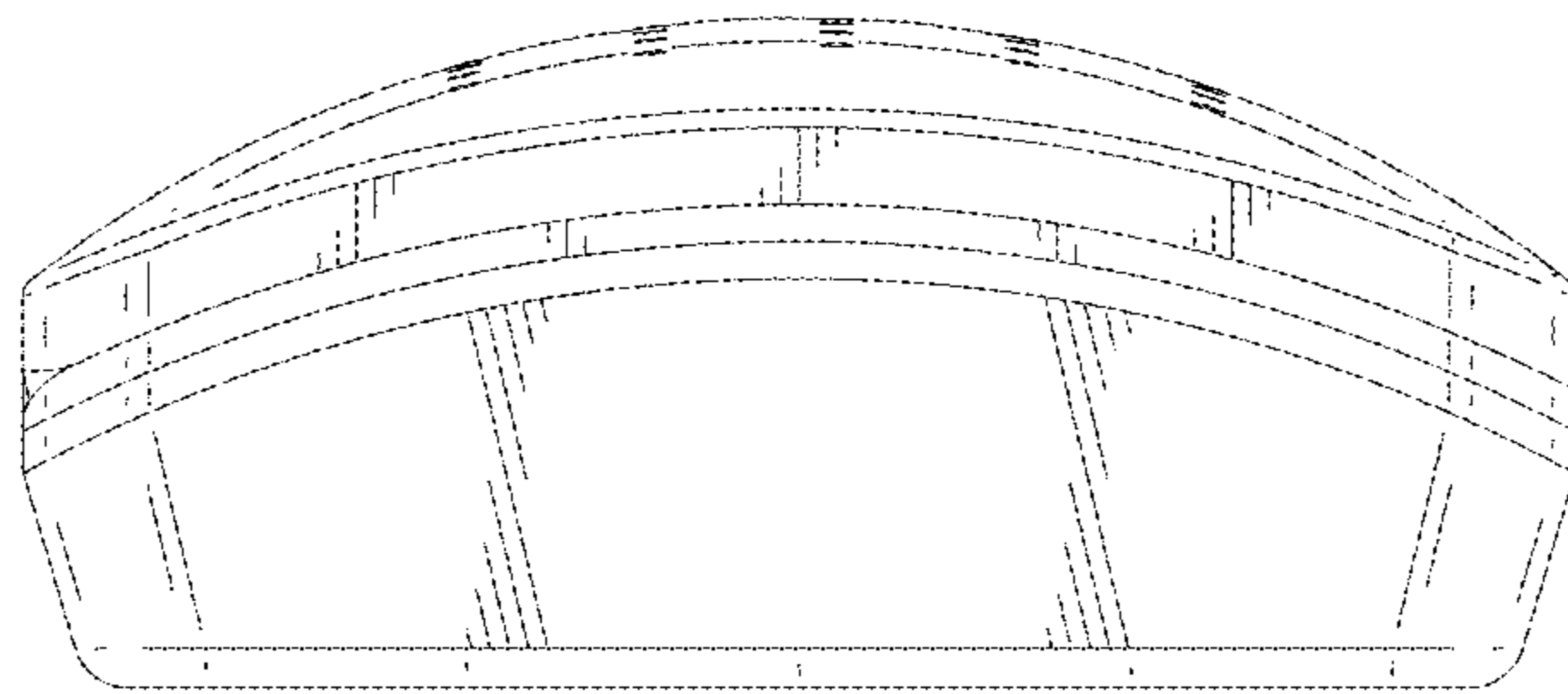


FIG.14

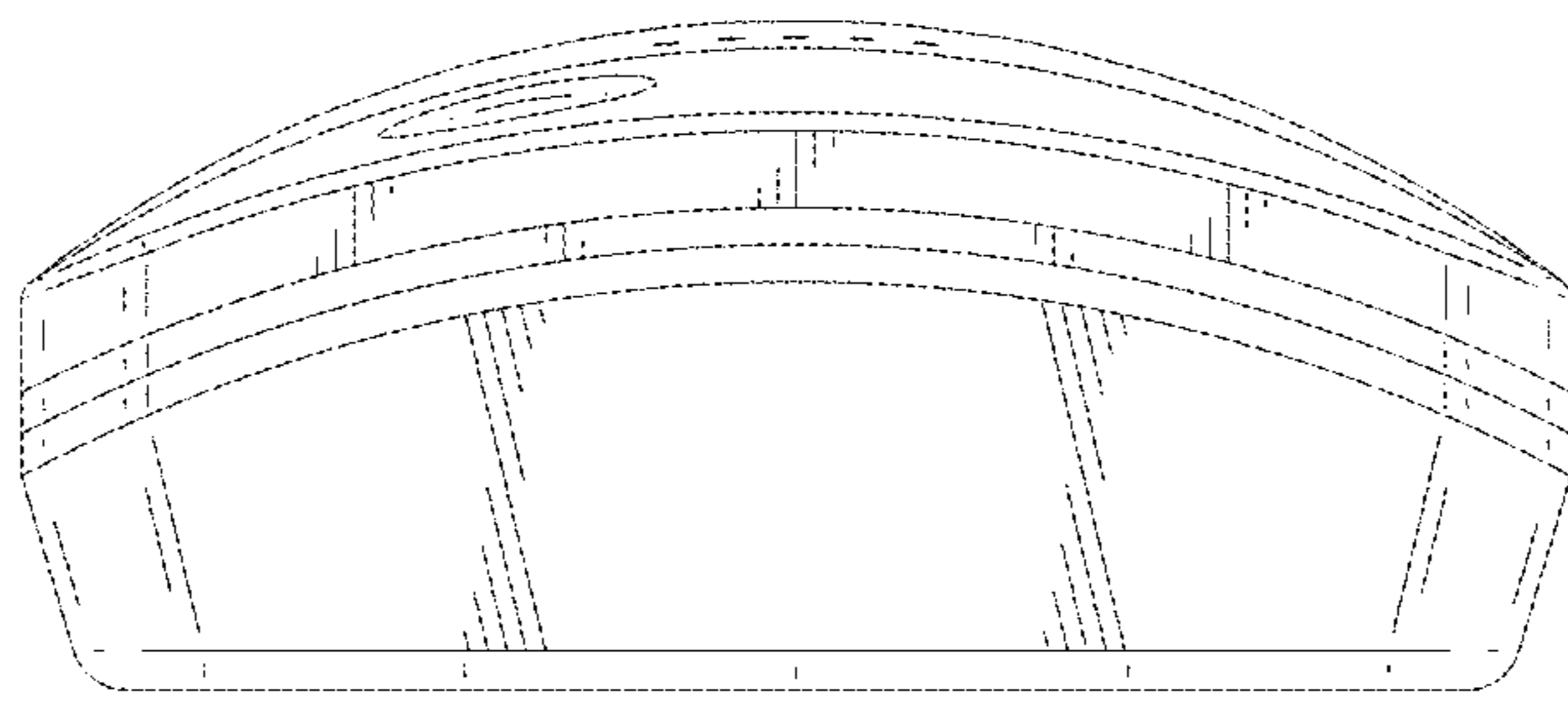


FIG.15

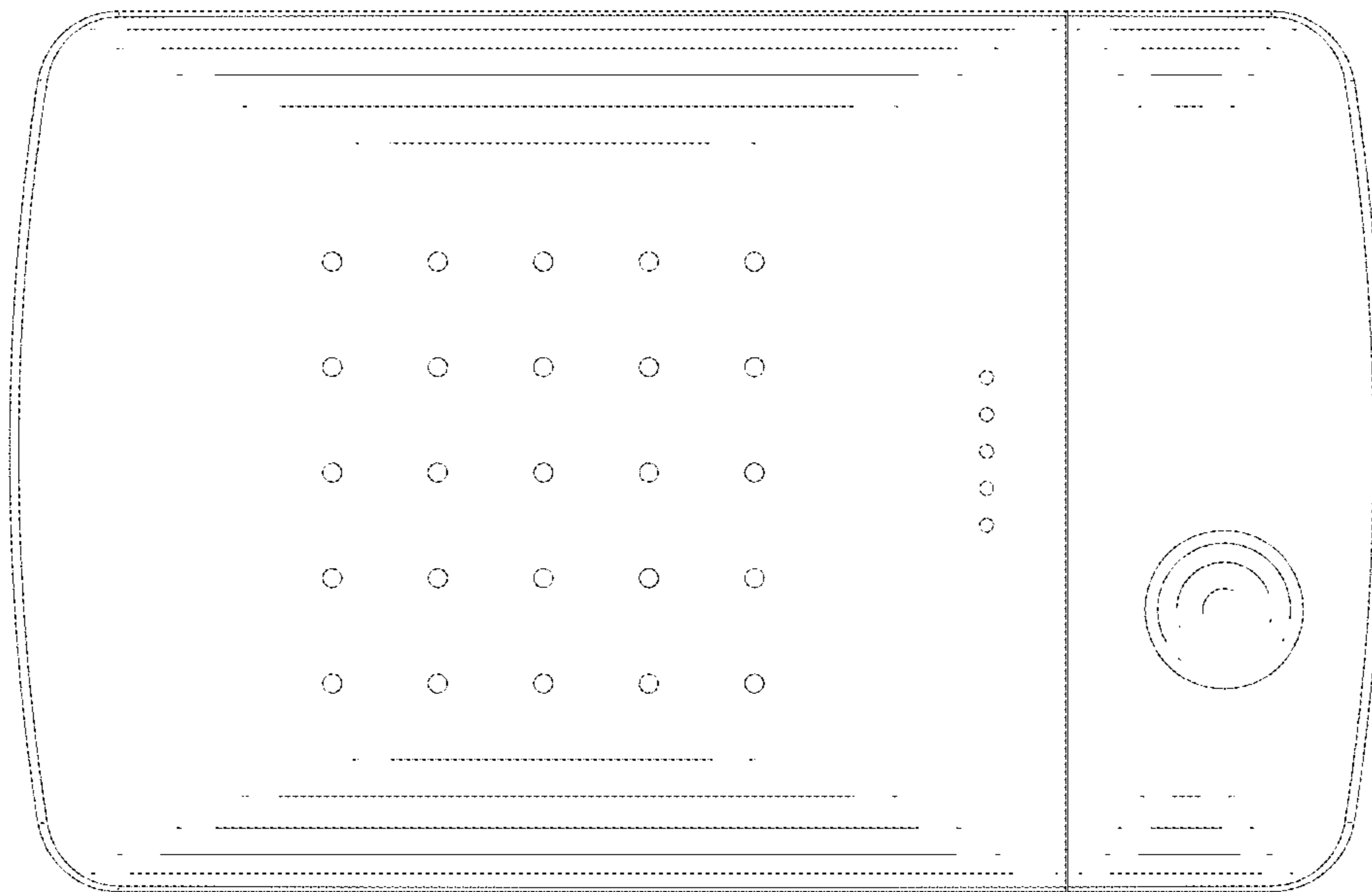


FIG.16

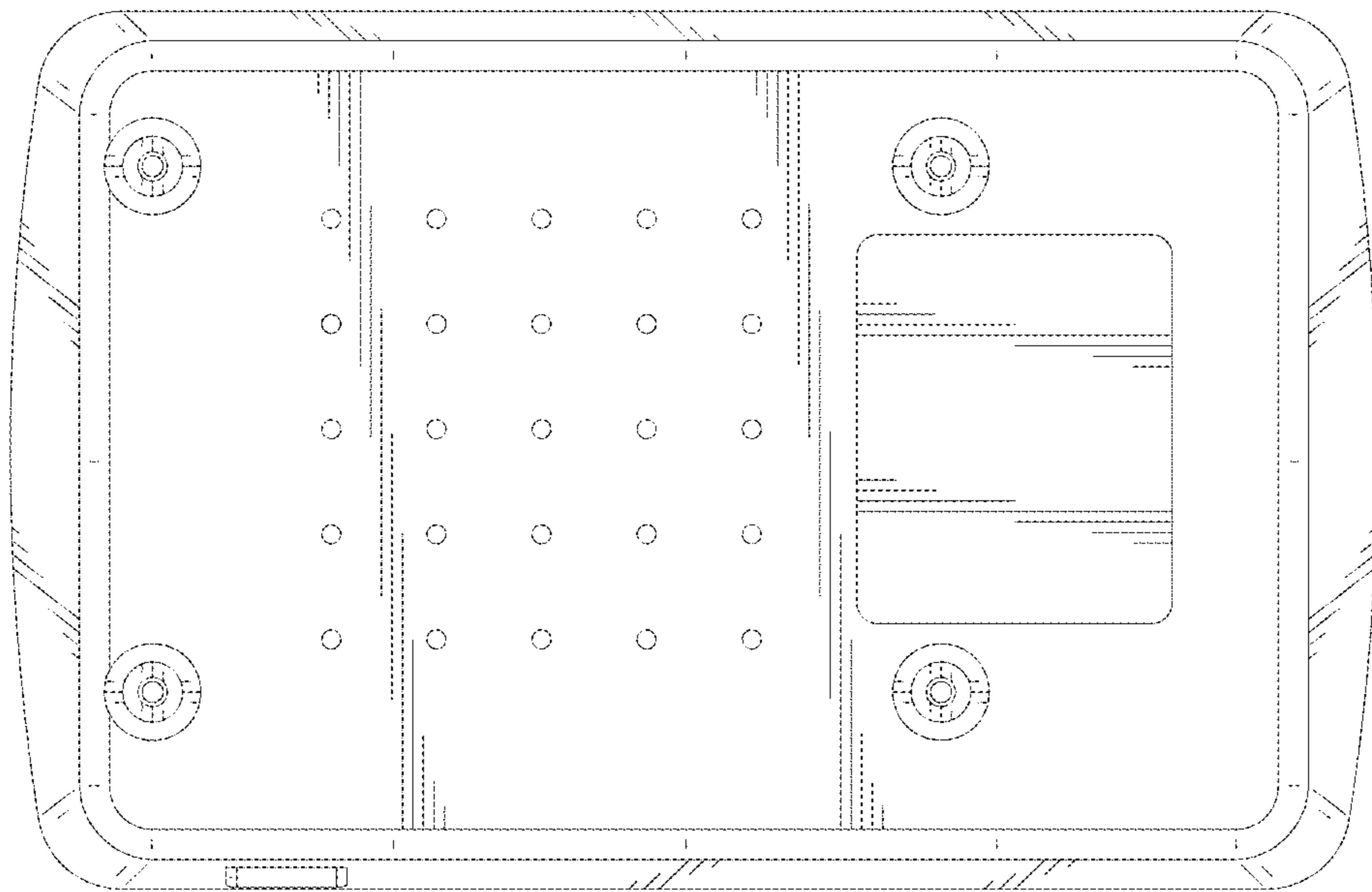


FIG.17

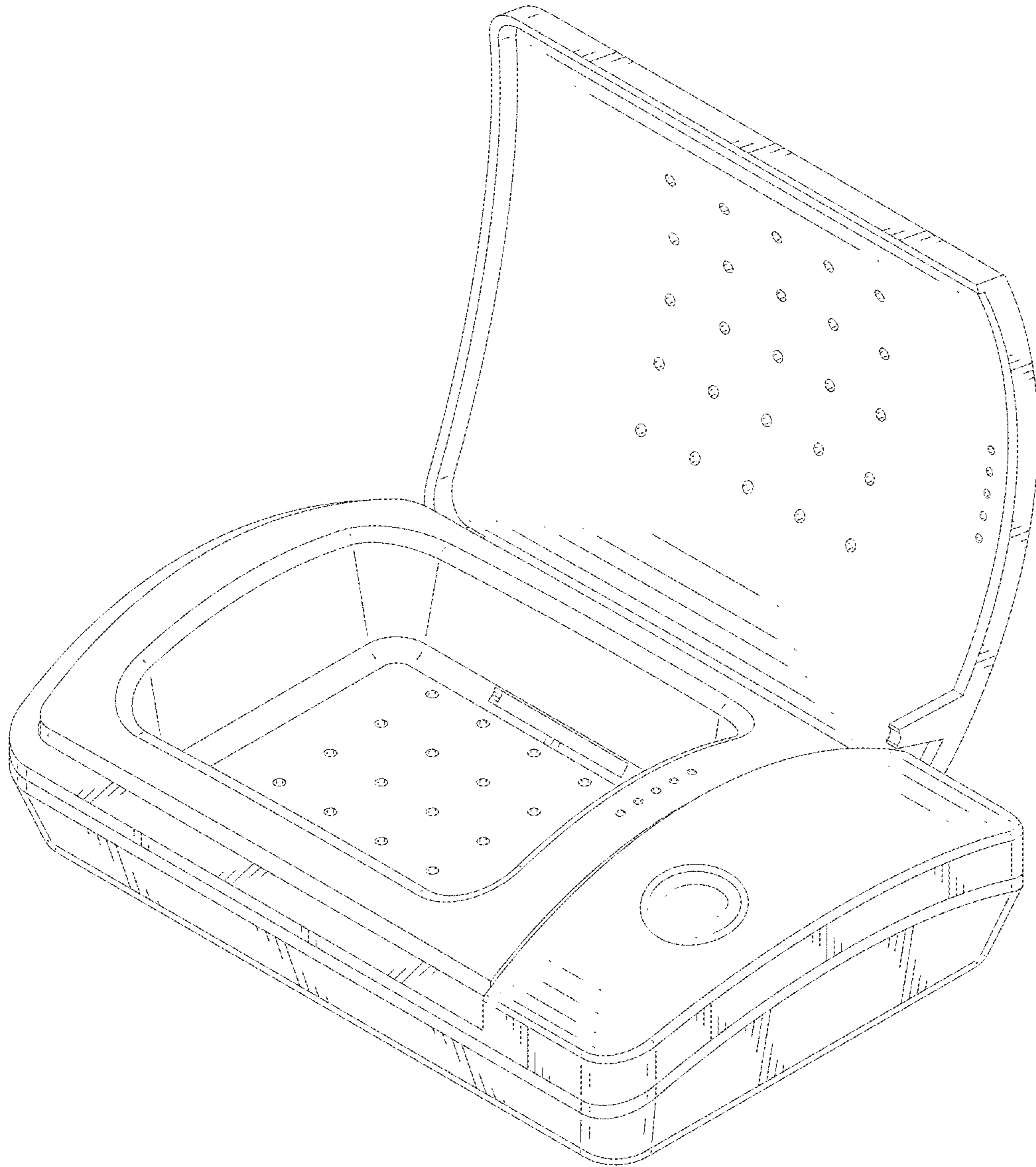


FIG.18