



US00D809148S

(12) **United States Design Patent**
Takeda

(10) **Patent No.:** **US D809,148 S**

(45) **Date of Patent:** **** Jan. 30, 2018**

(54) **ADHESIVE TAPE**
(71) Applicant: **Kinesio IP LLC**, Albuquerque, NM (US)
(72) Inventor: **Yukari Takeda**, Tokyo (JP)
(73) Assignee: **Kinesio IP LLC**, Albuquerque, NM (US)

6,241,715 B1 * 6/2001 Houser A61F 7/02
450/37
6,371,831 B1 * 4/2002 Dodge A41C 3/065
2/67
D537,948 S * 3/2007 Smith D24/189
D673,279 S * 12/2012 Huttner D24/189
D717,452 S * 11/2014 Boggs D24/189
D722,699 S * 2/2015 Riesinger D24/189
D768,945 S * 10/2016 Chen D32/35

(**) Term: **15 Years**

* cited by examiner

(21) Appl. No.: **29/574,347**

Primary Examiner — Charles Hanson

(22) Filed: **Aug. 15, 2016**

(74) *Attorney, Agent, or Firm* — Finnegan, Henderson, Farabow, Garrett & Dunner, LLP

(51) **LOC (11) Cl.** **24-00**

(52) **U.S. Cl.**
USPC **D24/189**

(57) **CLAIM**

The ornamental design for an adhesive tape, as shown and described.

(58) **Field of Classification Search**
USPC D24/188, 189
CPC .. A61F 2013/00102; A61F 2013/00217; A61F 2013/00417; A61F 2013/00731; A61F 13/0203
See application file for complete search history.

DESCRIPTION

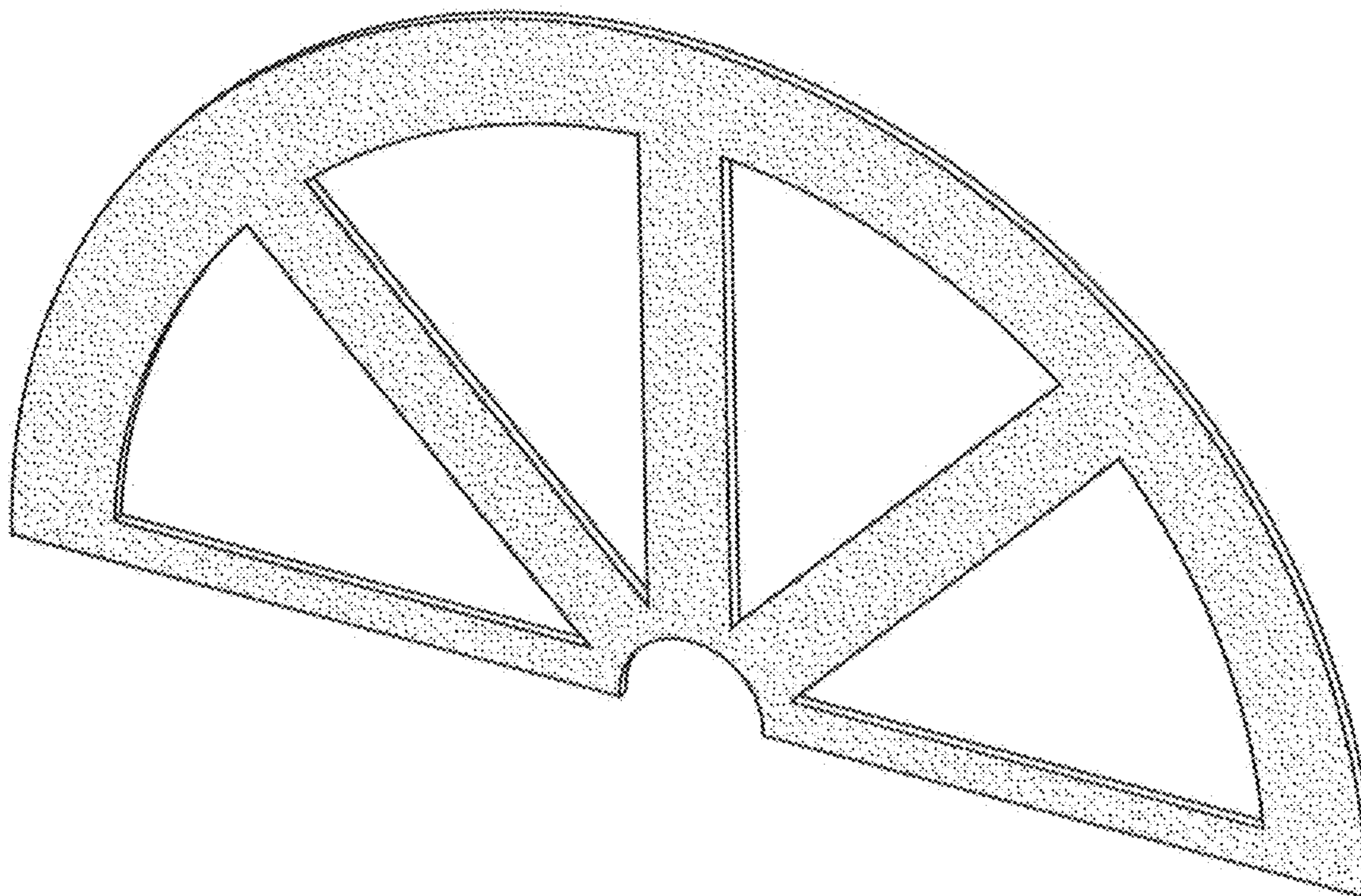
FIG. 1 is a top, front, right perspective view of an adhesive tape, showing my new design;
FIG. 2 is a front elevation view thereof;
FIG. 3 is a rear elevation view thereof;
FIG. 4 is a left side elevation view thereof;
FIG. 5 is a right side elevation view thereof;
FIG. 6 is a top plan view thereof; and,
FIG. 7 is a bottom plan view thereof.

(56) **References Cited**

U.S. PATENT DOCUMENTS

3,749,102 A * 7/1973 Wynants A41C 3/065
450/81
4,333,471 A * 6/1982 Nakai A61F 13/145
128/890

1 Claim, 5 Drawing Sheets



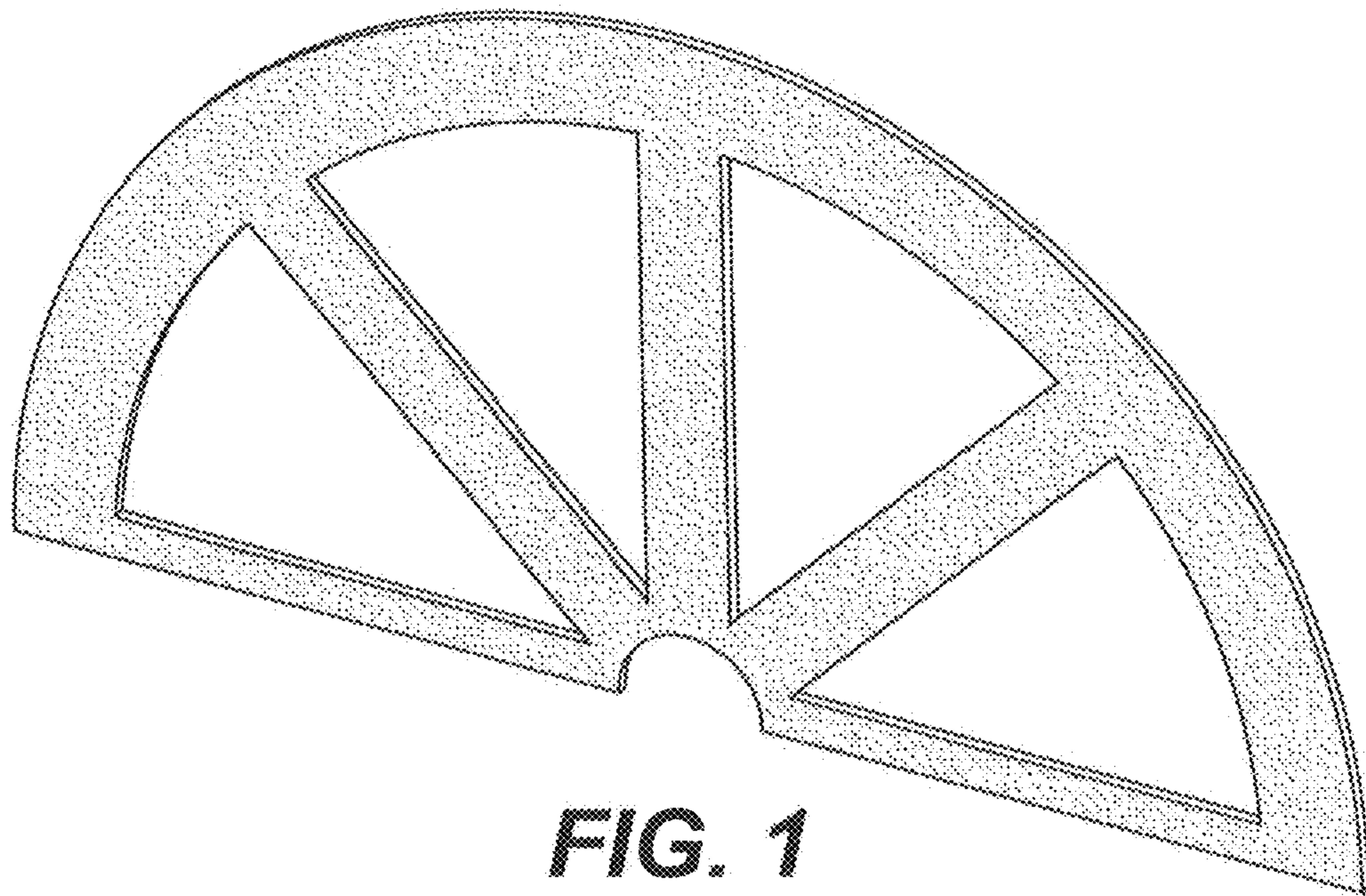


FIG. 1

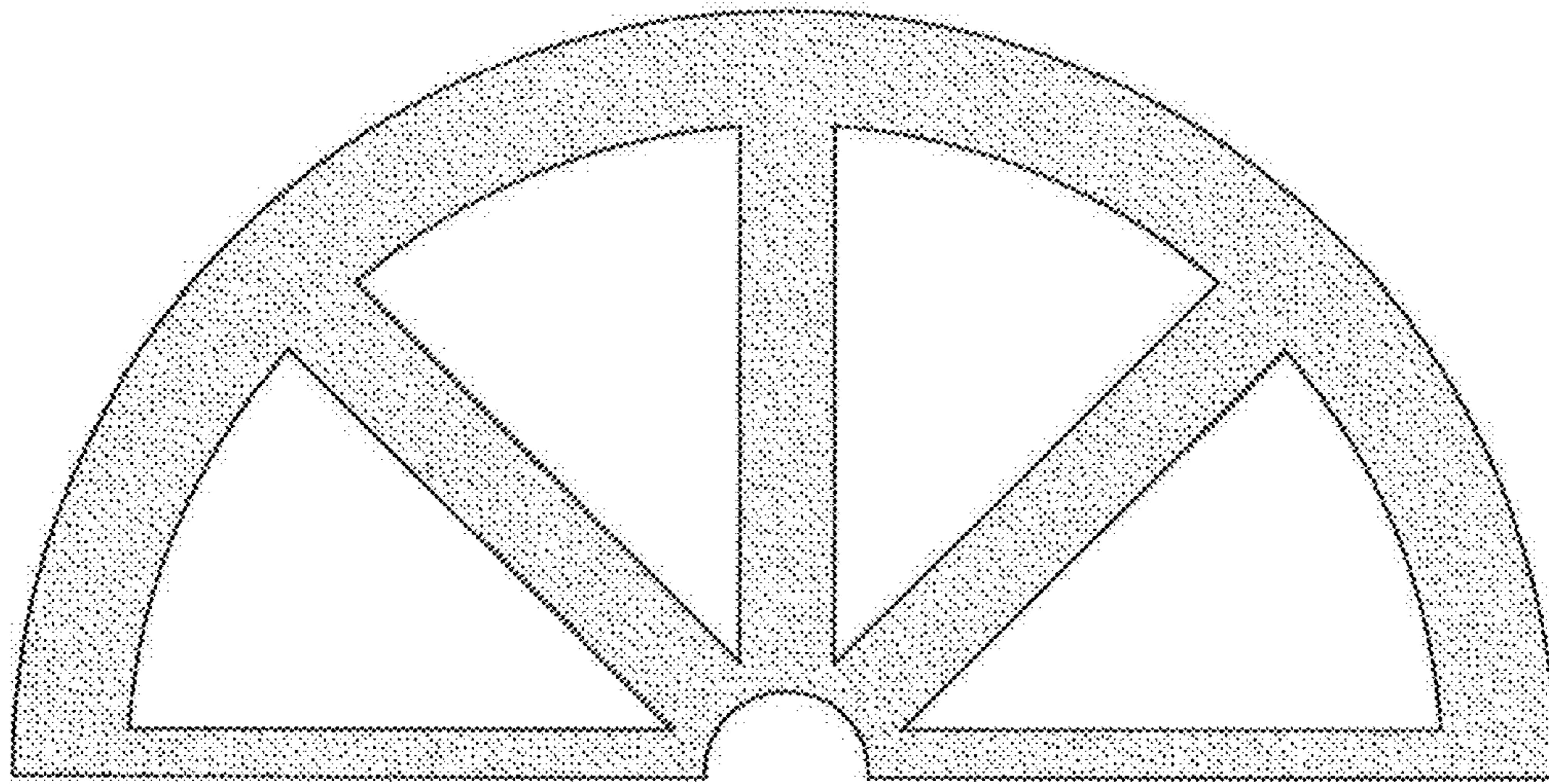


FIG. 2

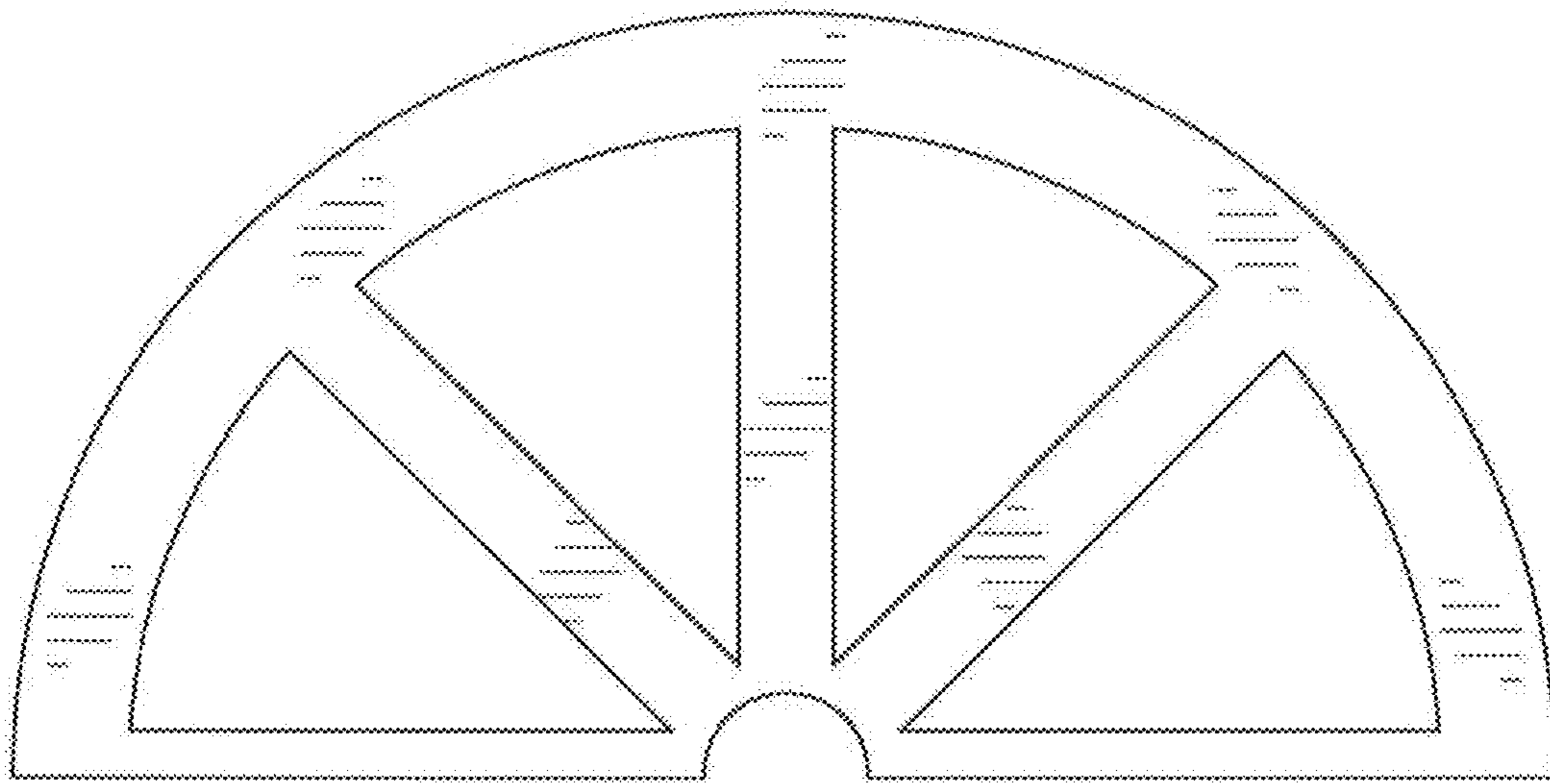


FIG. 3

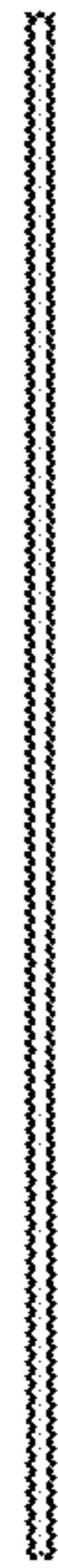


FIG. 4



FIG. 5

FIG. 6

FIG. 7