



US00D809147S

(12) **United States Design Patent** (10) **Patent No.:** **US D809,147 S**
Coonahan et al. (45) **Date of Patent:** **** Jan. 30, 2018**

(54) **MEDICAL EQUIPMENT ACCESSORIES AND MOUNTS IN COMBINATION**

(71) Applicant: **Draeger Medical Systems, Inc.**,
Andover, MA (US)

(72) Inventors: **Timothy J. Coonahan**, Sterling, MA (US); **William T. Buresh**, Salem, NH (US); **Michael D. Hirst**, Hudson, MA (US); **Rajesh Rane**, Cambridge, MA (US); **Juan Eslava**, Andover, MA (US); **Ricardo Luis Fernandez**, Beverly, MA (US); **Thomas Swyst**, Arlington, MA (US); **David Carpenter**, Andover, MA (US)

(73) Assignee: **Draeger Medical Systems, Inc.**,
Andover, MA (US)

(**) Term: **15 Years**

(21) Appl. No.: **29/550,193**

(22) Filed: **Dec. 30, 2015**

(51) **LOC (11) Cl.** **24-01**

(52) **U.S. Cl.**
USPC **D24/186**

(58) **Field of Classification Search**
USPC D24/185, 186, 107; D14/433, 434, 447,
D14/371, 374, 375, 328, 336, 339, 340;
D8/349, 380
CPC D61B 5/0205; D61B 5/02055;
D61B 5/0002; D61B 5/0006; D61B
5/0008; D61B 5/0022; D61B 2560/0443;
D61B 2560/045; D61B 2560/0456; D61B
5/002

See application file for complete search history.

(56) **References Cited**

U.S. PATENT DOCUMENTS

5,227,957 A * 7/1993 Deters G06F 1/181
312/223.2
D435,558 S * 12/2000 Tong D14/434

D458,608 S * 6/2002 Tong D14/434
D520,014 S * 5/2006 Harris D14/434
D524,815 S * 7/2006 McRae D14/433
D647,881 S * 11/2011 Warner D14/447
D709,445 S * 7/2014 Yeh D13/107
D734,859 S * 7/2015 Weichert D24/186
D736,192 S * 8/2015 Jeon D14/240
D748,807 S * 2/2016 Wawro D24/186
D769,872 S * 10/2016 Swyst D14/371
2009/0124868 A1 * 5/2009 Barnett A61N 1/3968
600/301

(Continued)

OTHER PUBLICATIONS

Engadget modular computer (2014).

Primary Examiner — Anhdao Doan

(74) *Attorney, Agent, or Firm* — Jones Day

(57) **CLAIM**

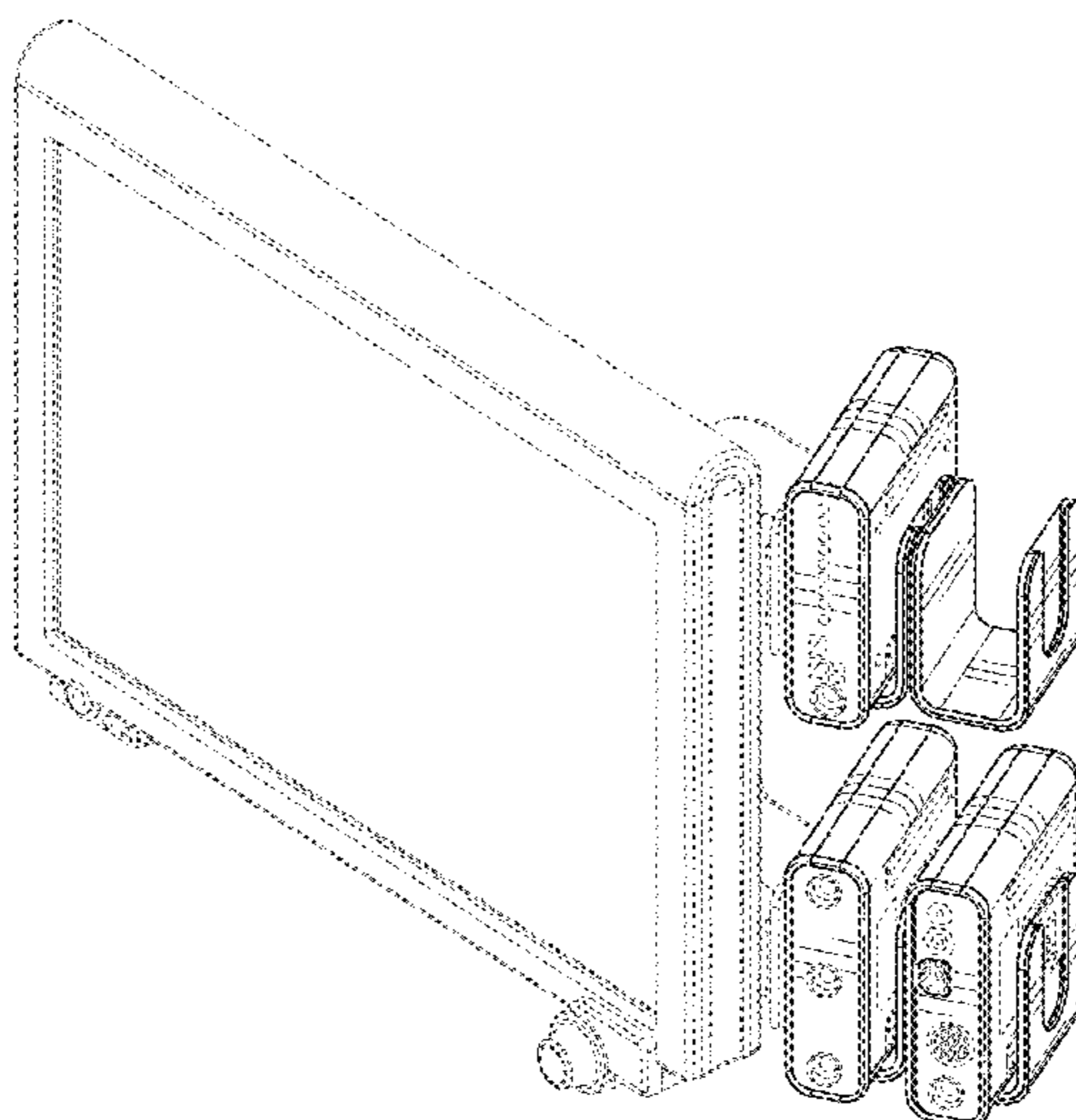
The ornamental design for medical equipment accessories and mounts in combination, as shown and described.

DESCRIPTION

FIG. 1 is a front perspective view of medical equipment accessories and mounts in combination;
FIG. 2 is a back perspective view thereof;
FIG. 3 is a front view thereof;
FIG. 4 is a back view thereof;
FIG. 5 is a first side view thereof;
FIG. 6 is a second side view thereof;
FIG. 7 is a top view thereof; and,
FIG. 8 is a bottom view thereof.

The broken lines depicting a display monitor represent an environment, and all other broken lines illustrate portions of the medical equipment accessories and mounts in combination that form no part of the claimed design. The broken lines form no part of the claimed design.

1 Claim, 8 Drawing Sheets



(56)

References Cited

U.S. PATENT DOCUMENTS

2012/0127103 A1* 5/2012 Qualey A61B 5/742
345/173

* cited by examiner

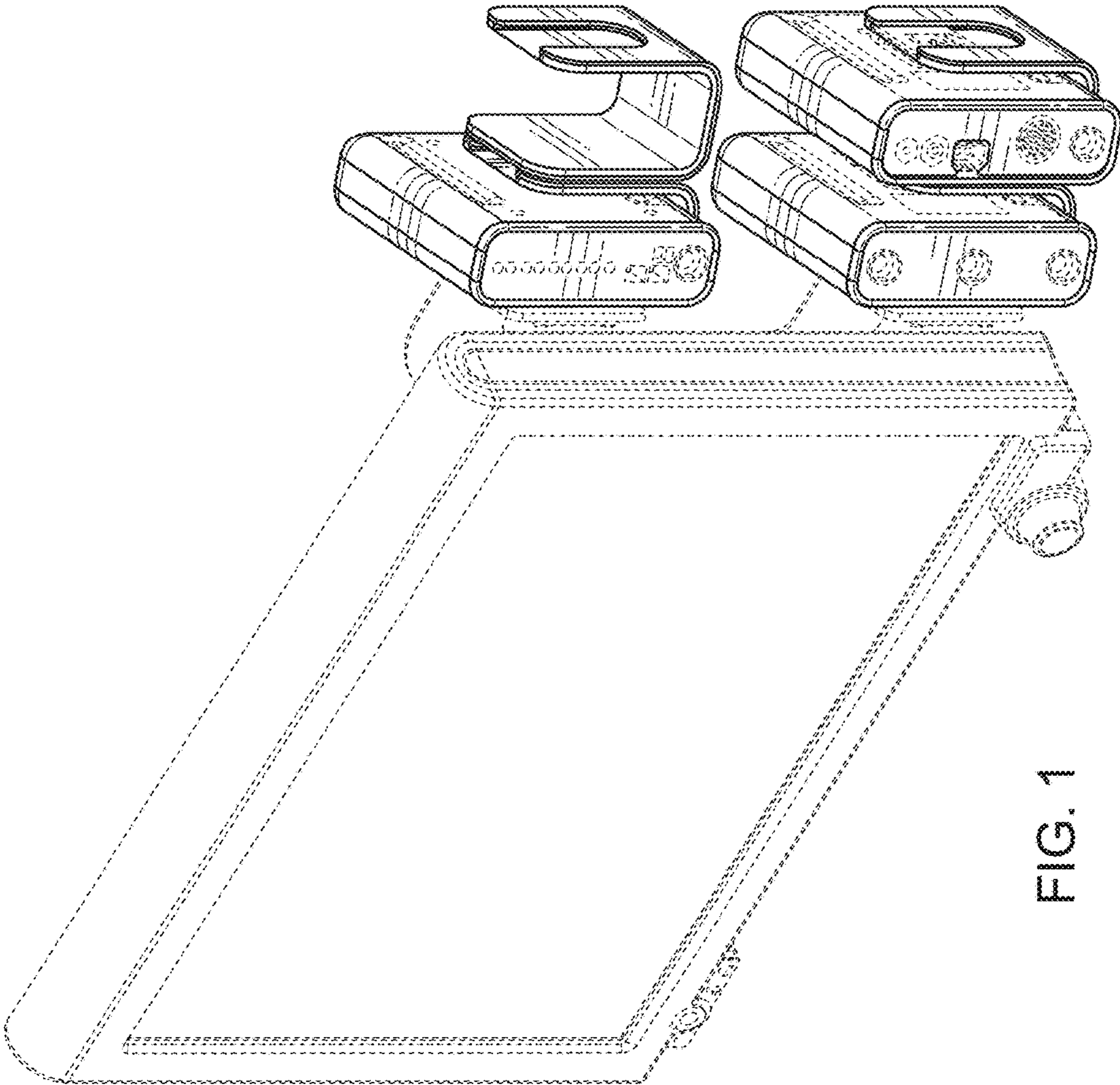


FIG. 1

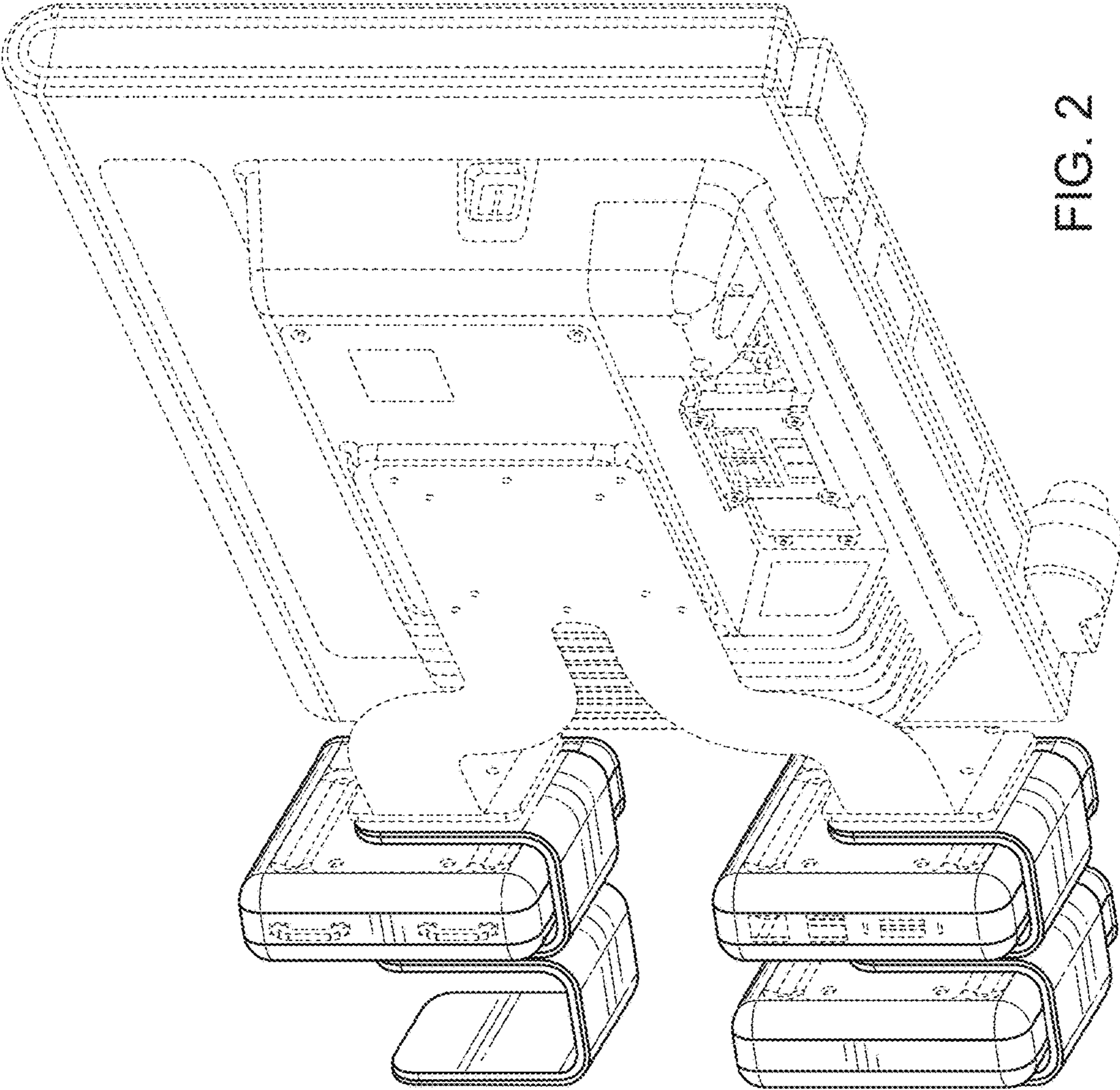


FIG. 2

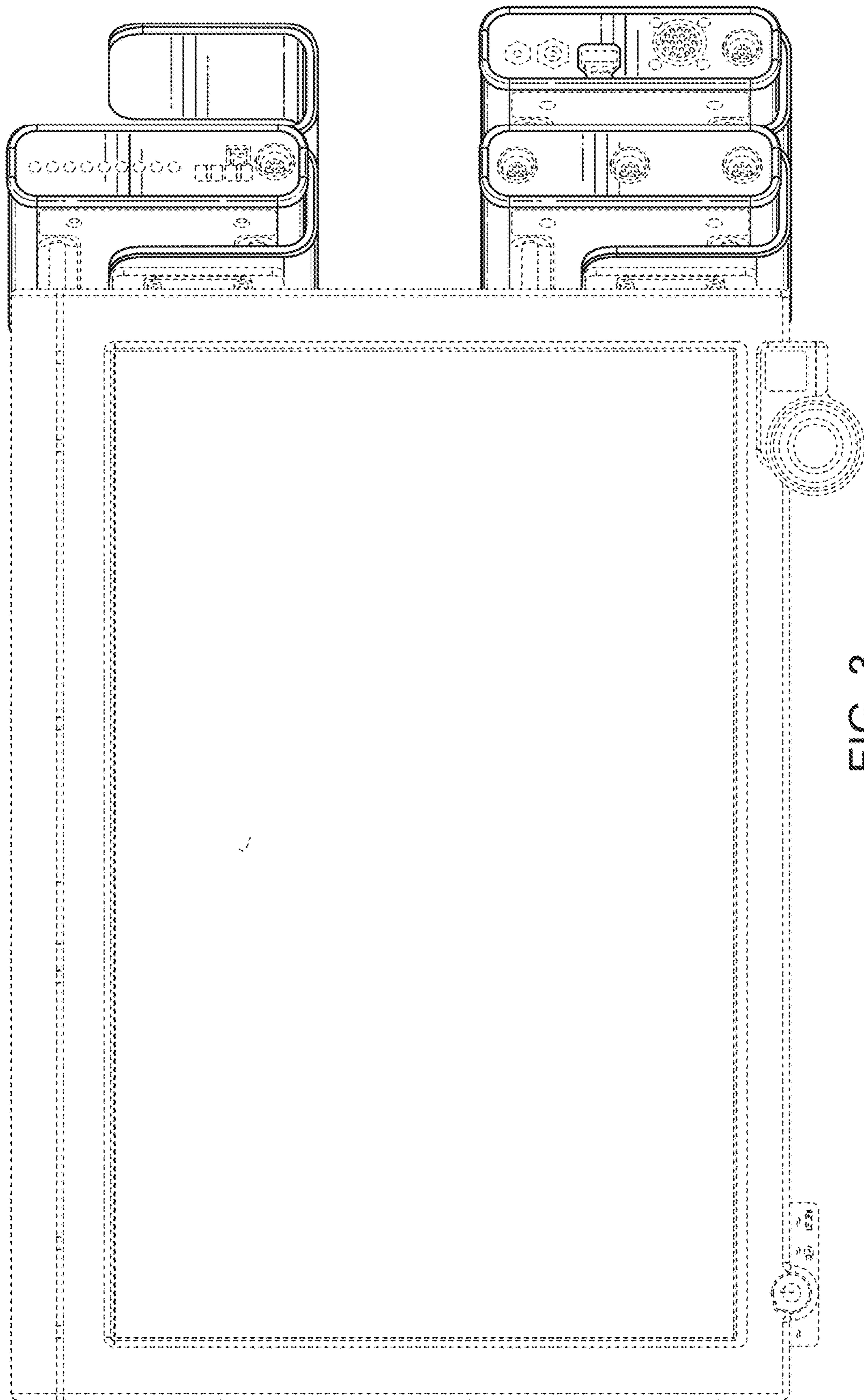


FIG. 3

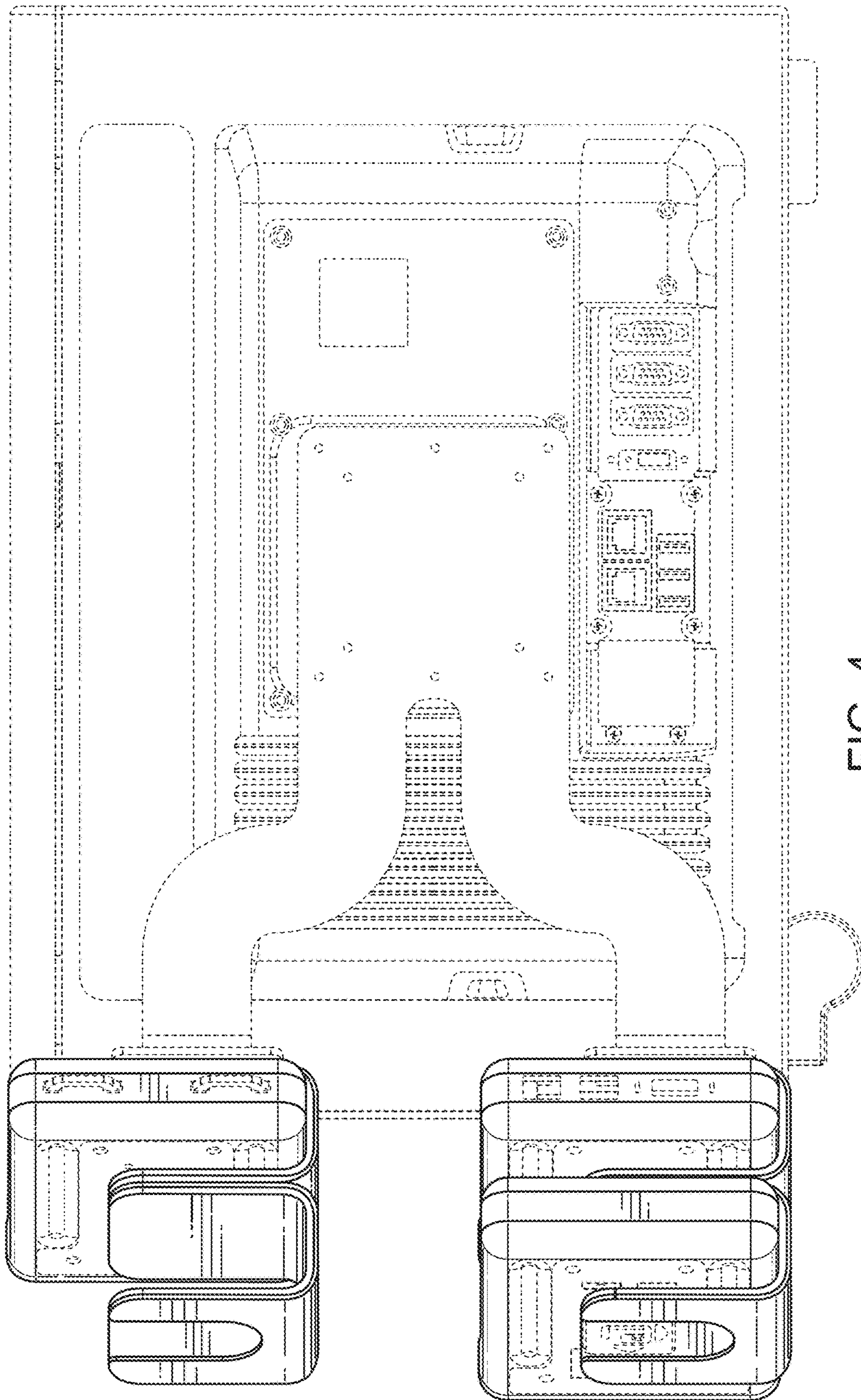


FIG. 4

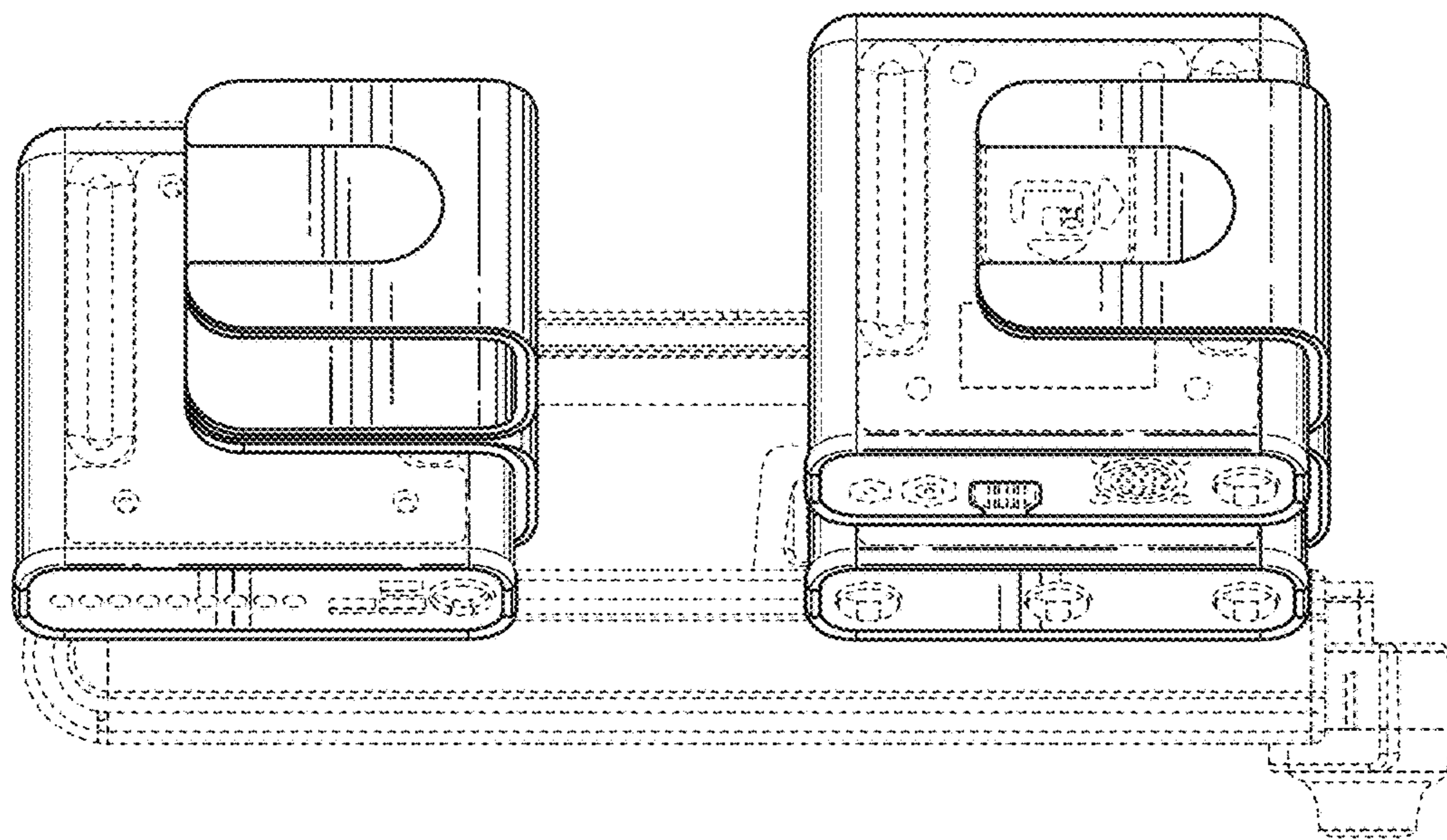


FIG. 5

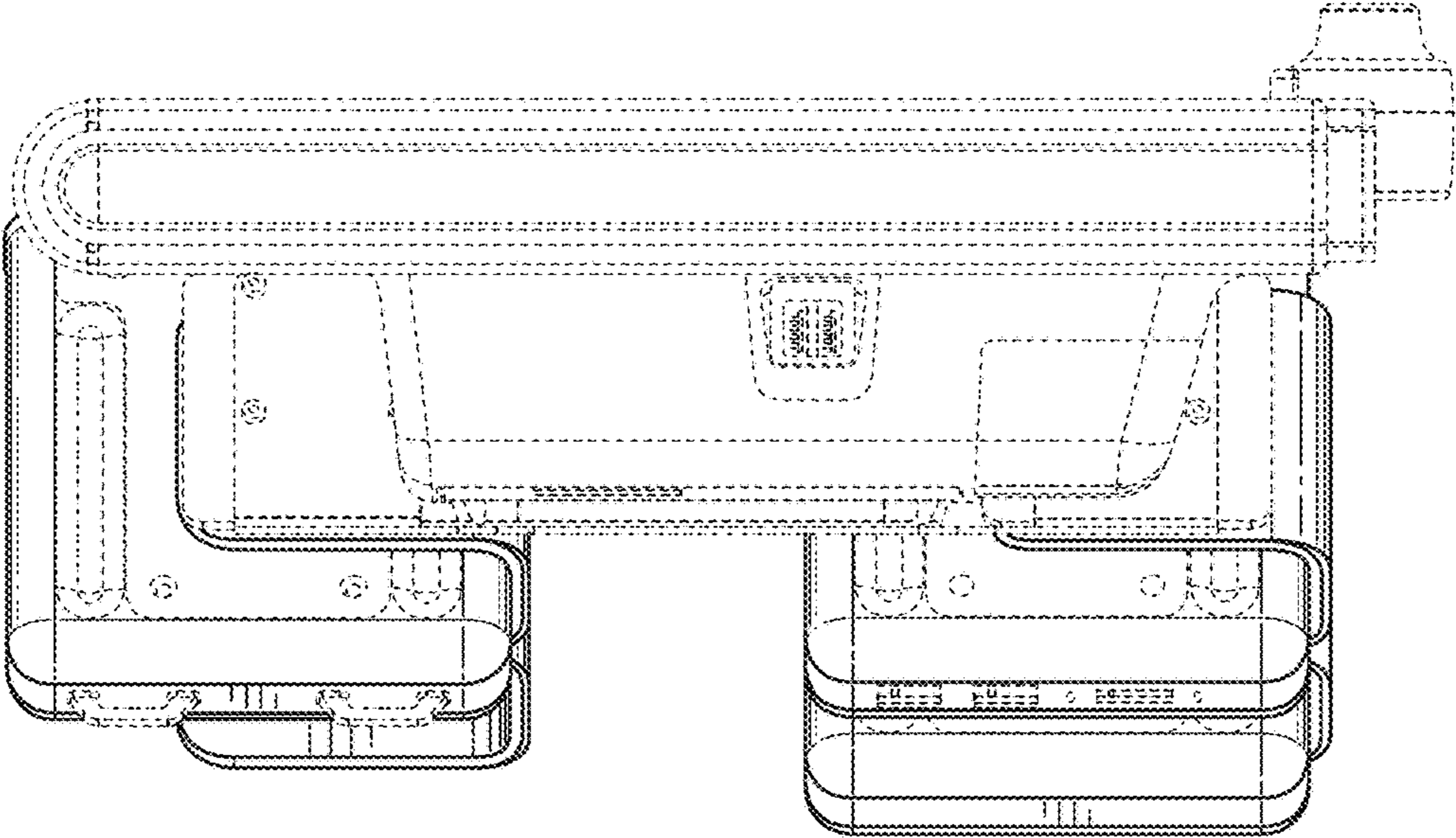


FIG. 6

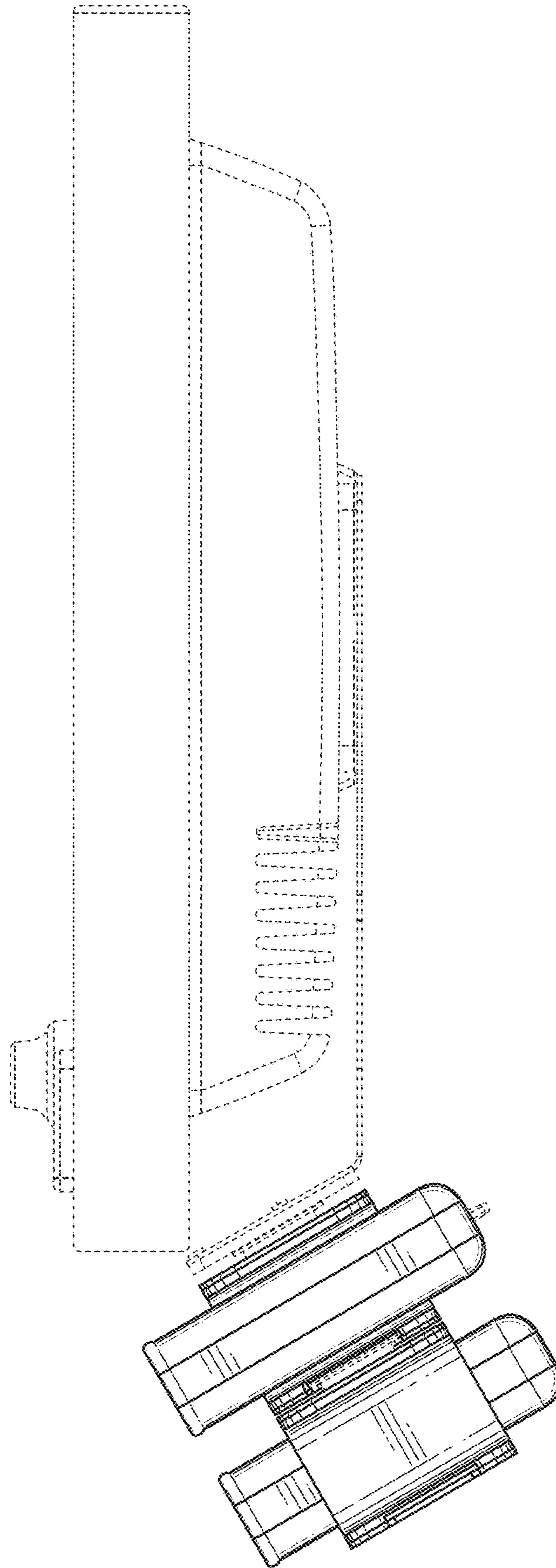


FIG. 7

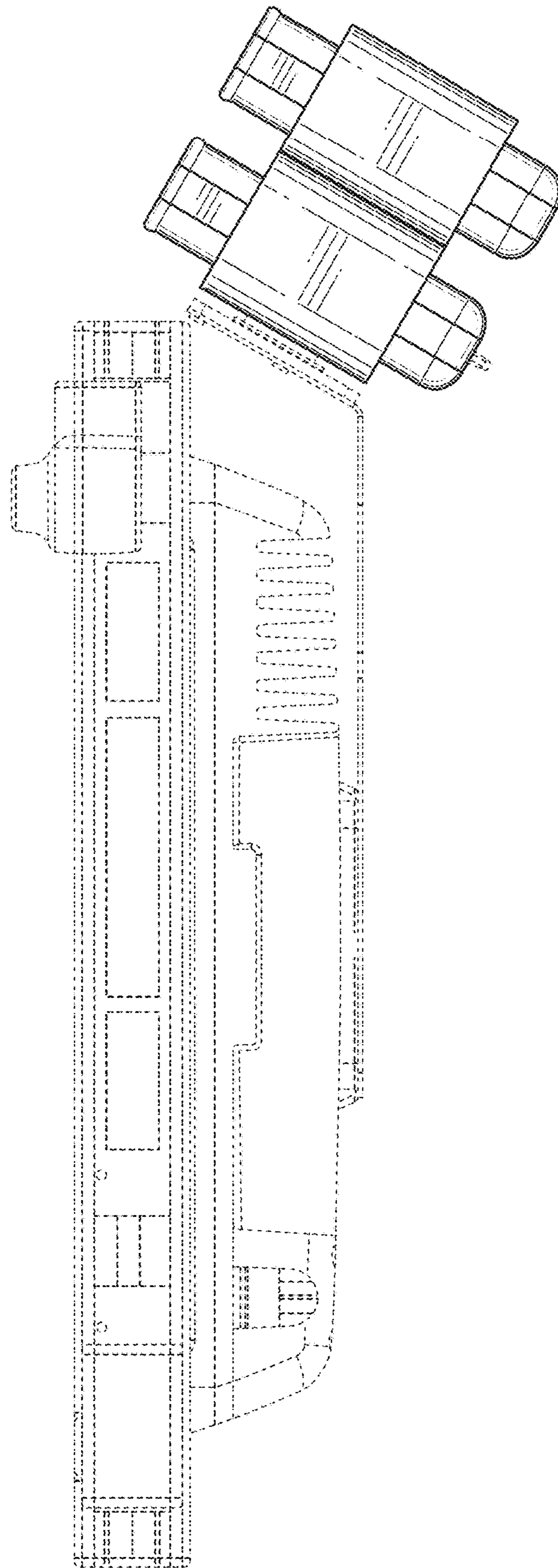


FIG. 8