



US00D809146S

(12) **United States Design Patent**
Gil da Costa et al.

(10) **Patent No.:** **US D809,146 S**
(45) **Date of Patent:** **** Jan. 30, 2018**

- (54) **FRONTAL SENSOR DEVICE FOR NEURAL AND MENTAL ASSESSMENT**
- (71) Applicant: **NEUROVERSE, INC.**, San Diego, CA (US)
- (72) Inventors: **Ricardo Gil da Costa**, San Diego, CA (US); **Michael Bajema**, San Diego, CA (US); **Raynard Fung**, Seattle, WA (US)
- (73) Assignee: **NEUROVERSE, INC.**, San Diego, CA (US)
- (**) Term: **15 Years**
- (21) Appl. No.: **29/542,757**
- (22) Filed: **Oct. 16, 2015**
- (51) **LOC (11) Cl.** **24-02**
- (52) **U.S. Cl.**
USPC **D24/186**
- (58) **Field of Classification Search**
USPC D24/165-168, 186, 187, 200, 231;
D10/70
CPC . A61B 5/6814; A61B 5/0205; A61B 5/02055;
A61B 5/02405; A61B 5/02444; A61B
5/4809; A61B 5/1102; A61G 2203/36
See application file for complete search history.

D701,964 S *	4/2014	Yoneta	D24/187
D715,446 S *	10/2014	Lee	D24/167
D719,267 S *	12/2014	Vaccarella	D24/187
D728,109 S *	4/2015	Ko	D24/186
D740,428 S *	10/2015	Suzuki	D24/187
D744,110 S *	11/2015	Kubo	D24/186
D748,273 S *	1/2016	Chang	D24/186
D757,275 S *	5/2016	Lee	D24/187
2015/0313498 A1 *	11/2015	Coleman	A61B 5/0482 600/383

* cited by examiner

Primary Examiner — Anhdao Doan

(74) *Attorney, Agent, or Firm* — Seyfarth Shaw LLP

(57) **CLAIM**

The ornamental design for a frontal sensor device for neural and mental assessment, as shown and described.

DESCRIPTION

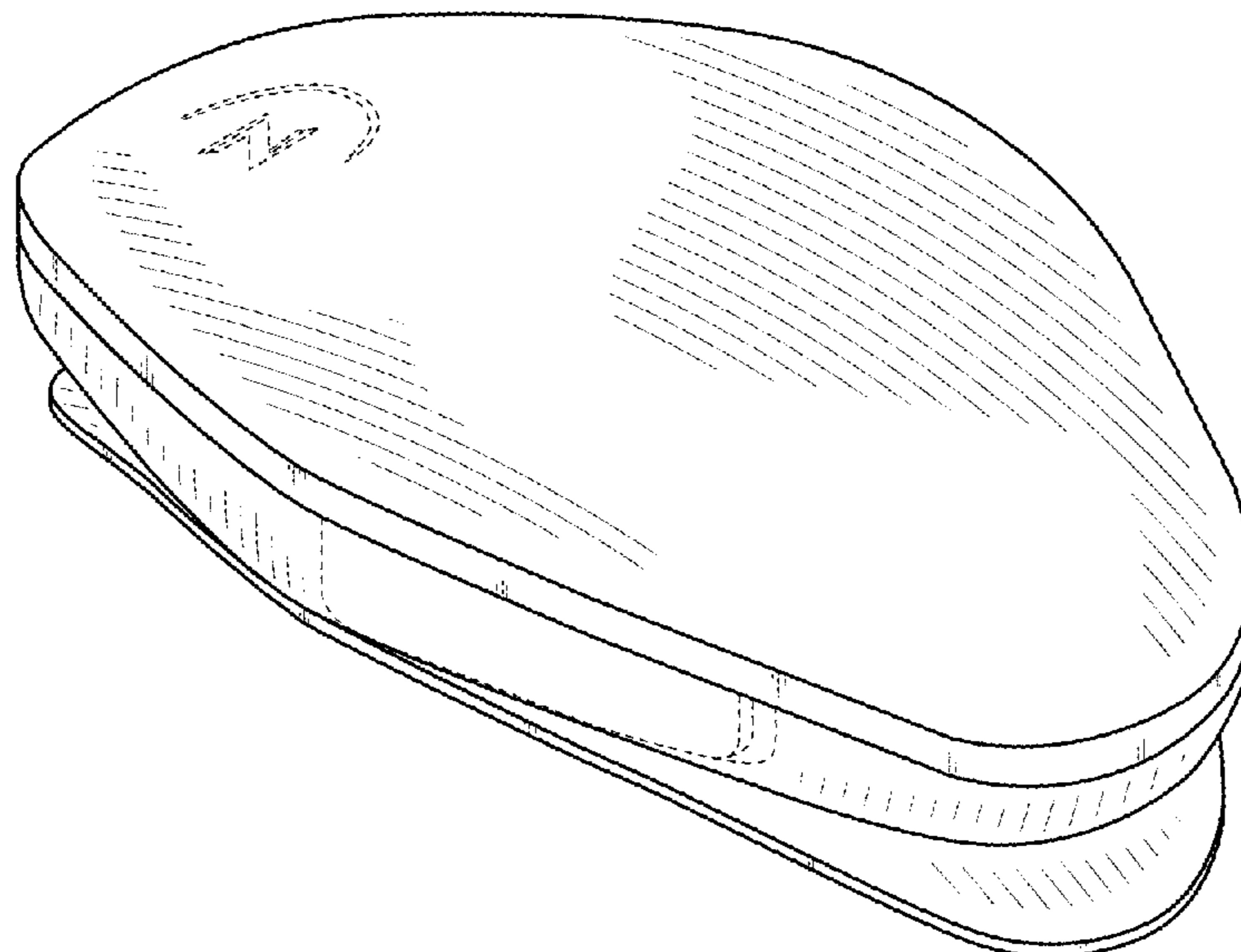
FIG. 1 is a perspective view of the frontal sensor device for neural and mental assessment showing our new design.
 FIG. 2 is a front elevational view thereof.
 FIG. 3 is a back elevational view.
 FIG. 4 is a left side elevational view.
 FIG. 5 is a side elevational view.
 FIG. 6 is a top view; and,
 FIG. 7 is a bottom view.
 The broken lines illustrate portions of the frontal sensor device for neural and mental assessment that form no part of the claimed design.

1 Claim, 4 Drawing Sheets

(56) **References Cited**

U.S. PATENT DOCUMENTS

D587,375 S *	2/2009	Mao	D24/168
D597,676 S *	8/2009	Copeland	D24/187



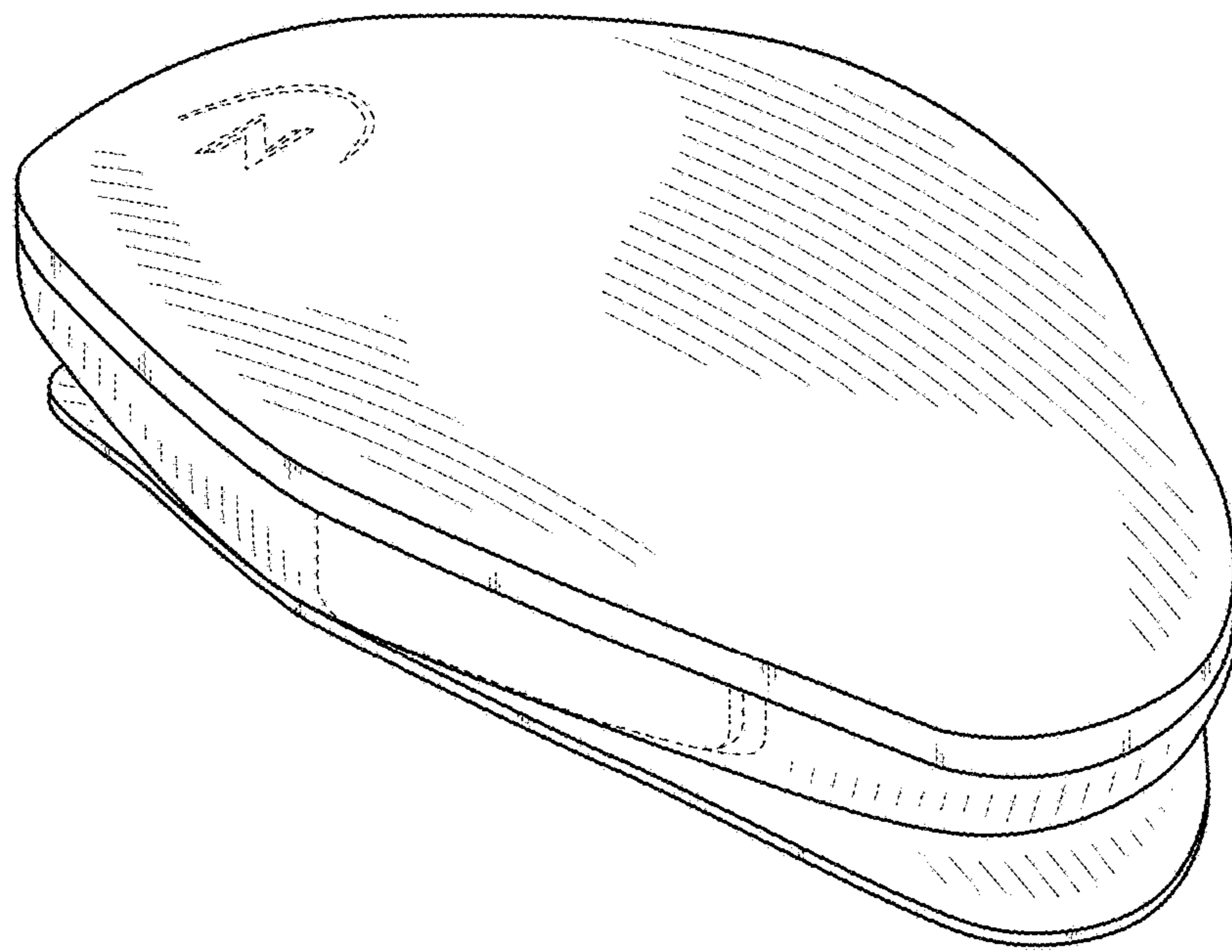


FIG. 1

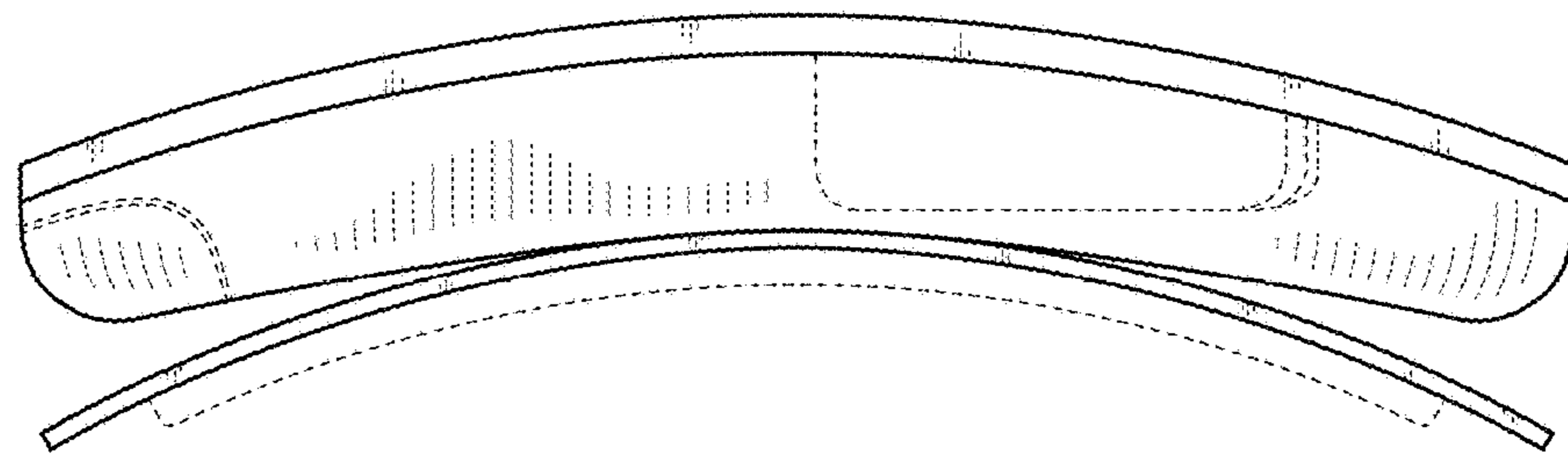


FIG. 2

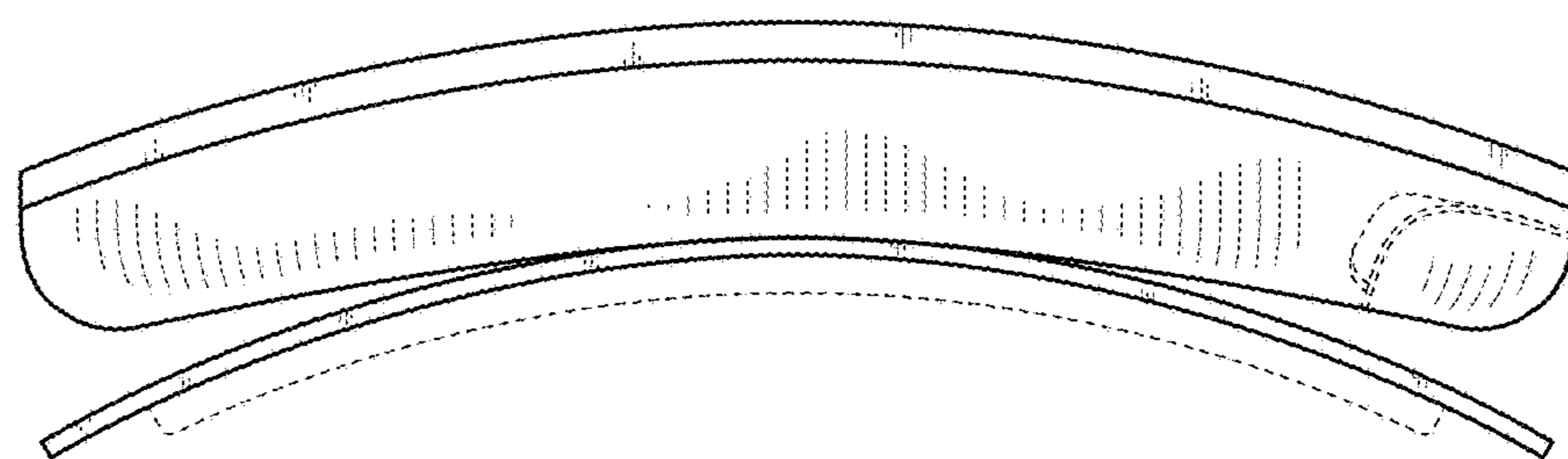


FIG. 3

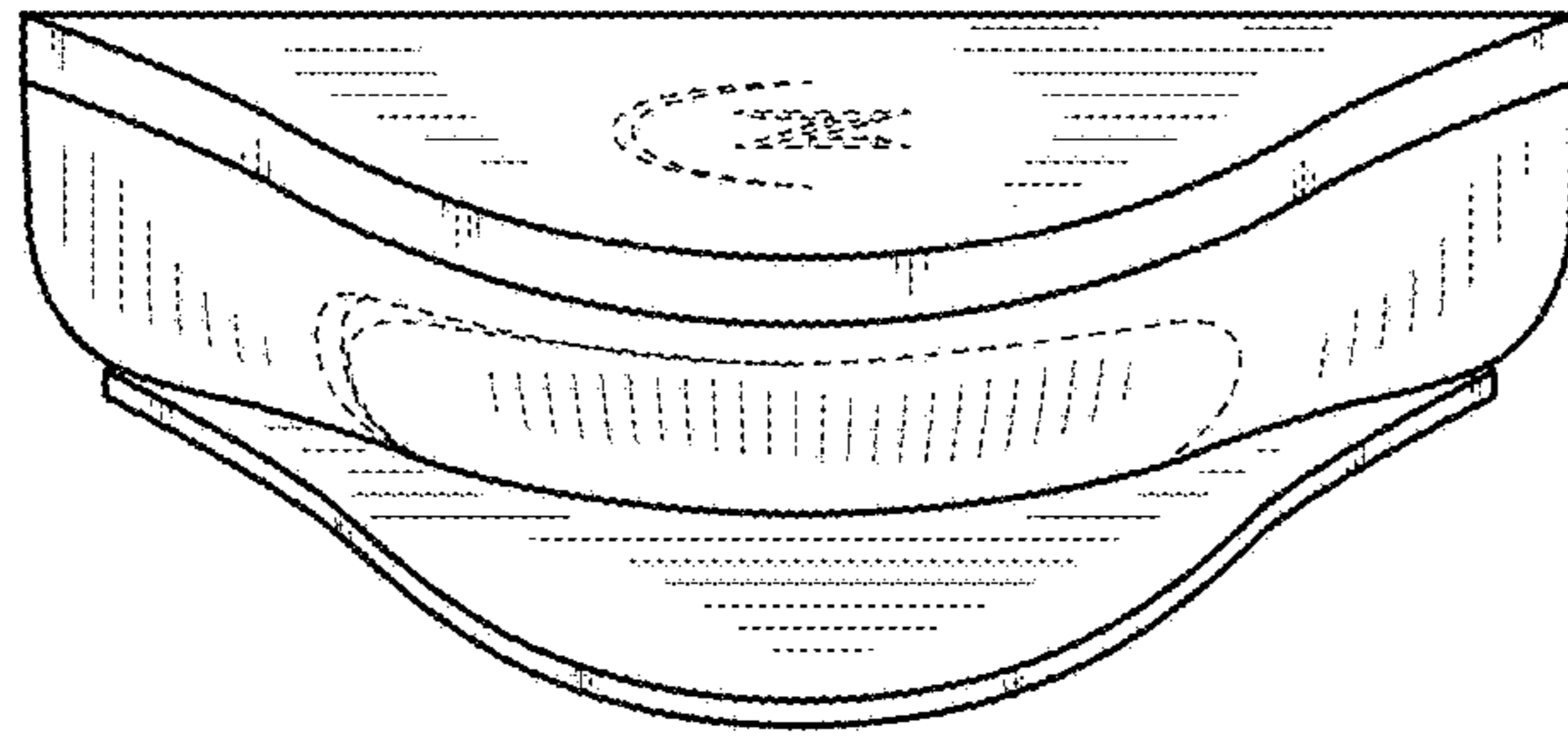


FIG. 4

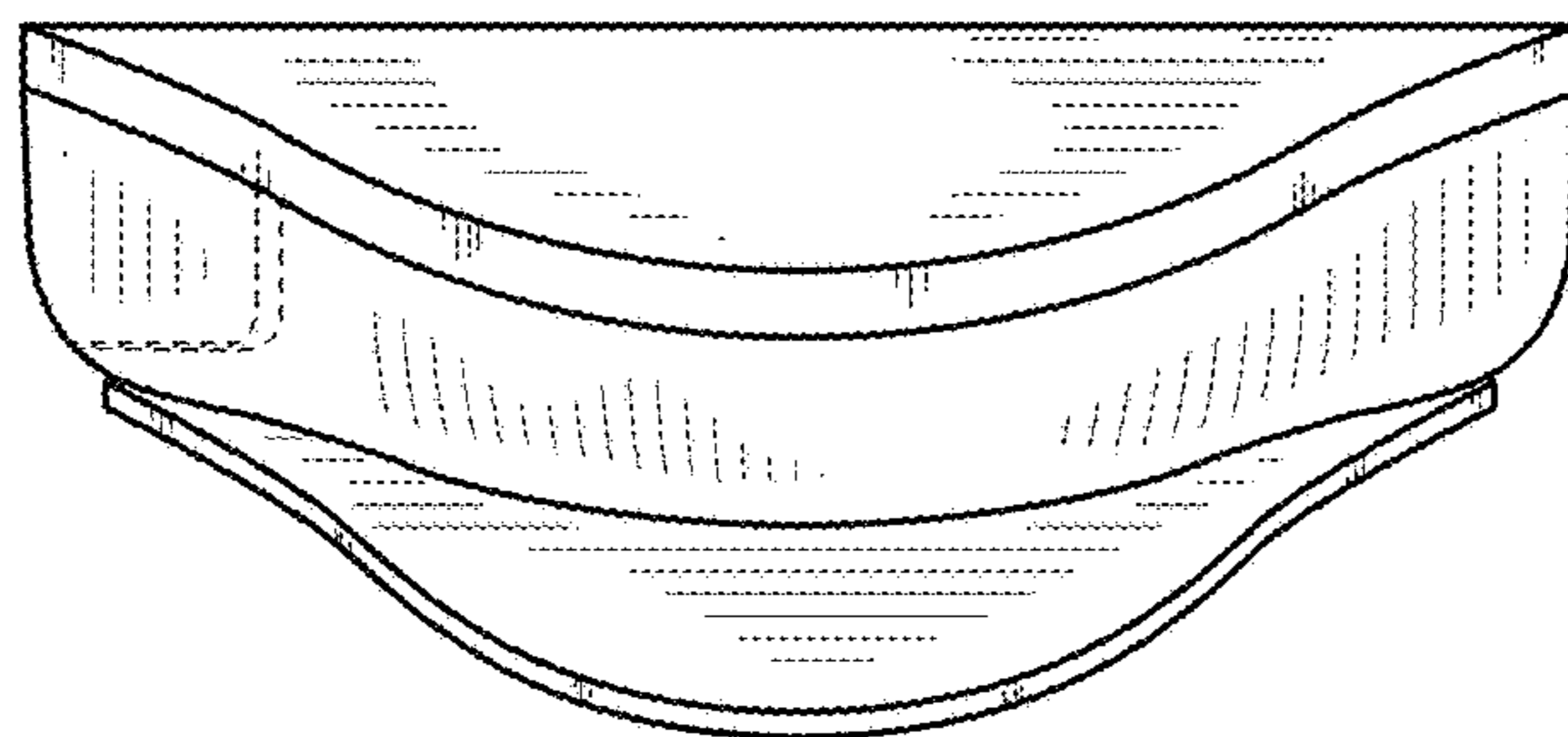


FIG. 5

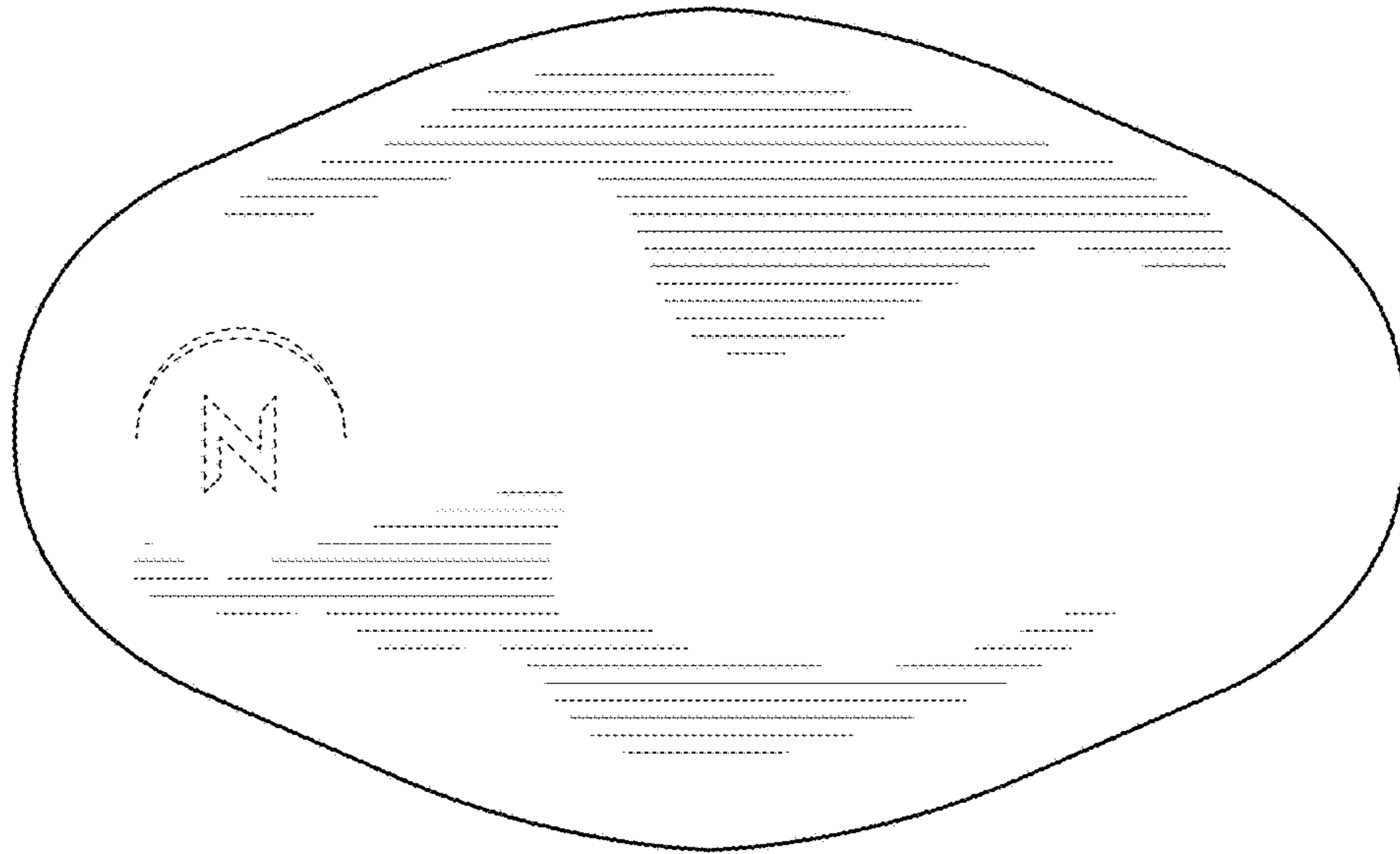


FIG. 6

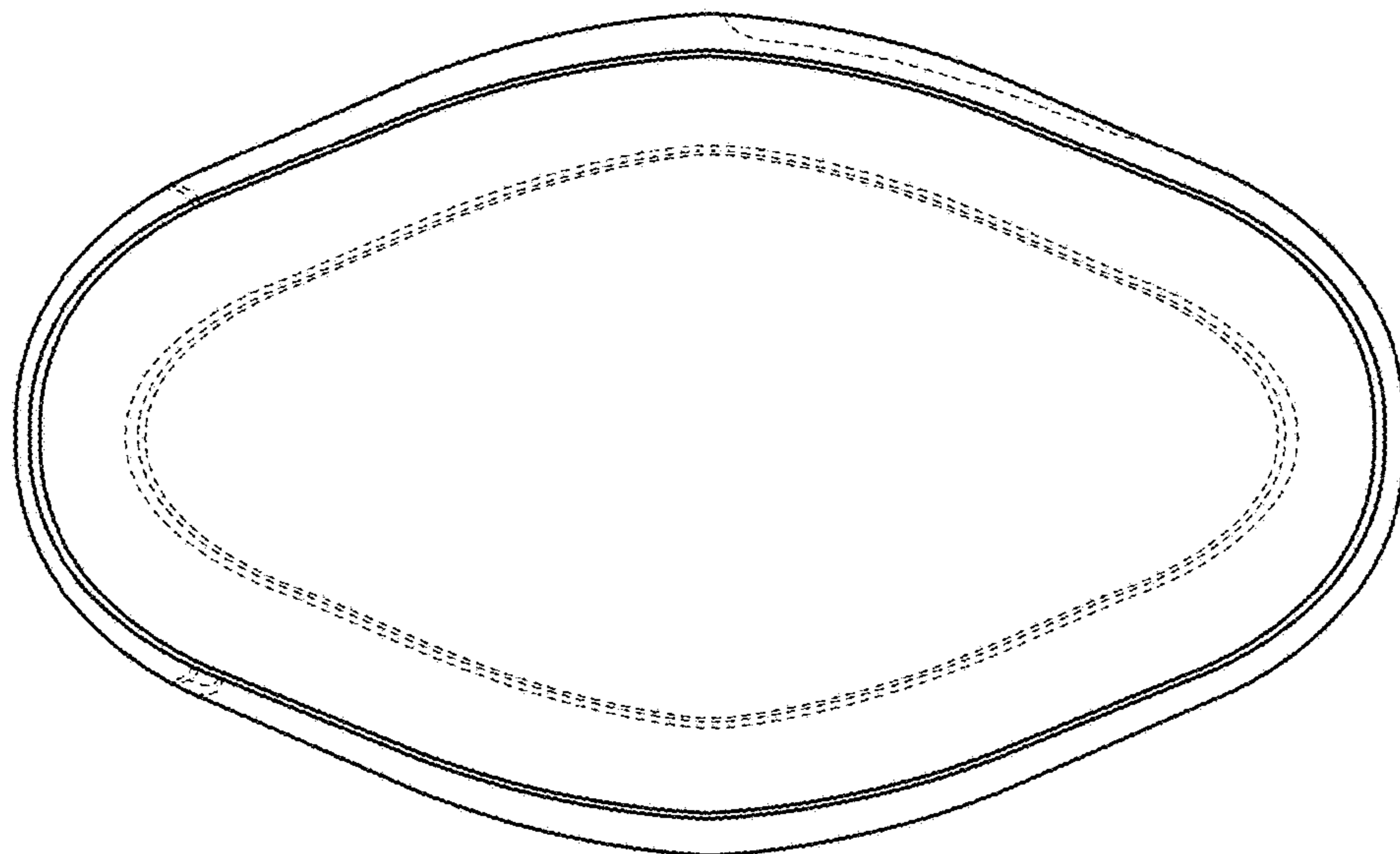


FIG. 7