

US00D809145S

(12) **United States Design Patent**
Wigal

(10) **Patent No.:** **US D809,145 S**
(45) **Date of Patent:** **** Jan. 30, 2018**

(54) **ORTHODONTIC ELASTOMERIC LIGATURE TIE**

(71) Applicant: **Designer Ties, LLC**, Hebron, OH (US)

(72) Inventor: **Timothy G. Wigal**, Hebron, OH (US)

(73) Assignee: **Designer Ties, LLC**, Hebron, OH (US)

(**) Term: **15 Years**

(21) Appl. No.: **29/574,546**

(22) Filed: **Aug. 16, 2016**

Related U.S. Application Data

(63) Continuation-in-part of application No. 15/060,310, filed on Mar. 3, 2016.

(51) **LOC (11) Cl.** **24-02**

(52) **U.S. Cl.**
USPC **D24/180**

(58) **Field of Classification Search**
USPC D24/176-182; D21/386; D1/112;
D11/56, 103

CPC A61C 7/125; A61C 7/303; A61C 7/30;
A61C 7/306; A61C 7/12; A61C 7/00

See application file for complete search history.

(56) **References Cited**

U.S. PATENT DOCUMENTS

3,530,583	A *	9/1970	Anderson	A61C 7/303 433/11
3,879,850	A *	4/1975	Wallshein	A61C 7/303 433/11
3,913,228	A	10/1975	Wallshein		
4,585,413	A	4/1986	Wool		
4,687,441	A	8/1987	Klepacki		
4,900,250	A *	2/1990	Kesling	A61C 7/303 433/11
5,044,946	A	9/1991	Cleary		
5,160,260	A	11/1992	Chang		

5,461,133	A *	10/1995	Hammar	A61C 7/303 433/18
5,829,974	A *	11/1998	Brosius	A61C 7/303 433/11
D412,363	S *	7/1999	Stevens	D24/180
D449,147	S *	10/2001	Herwig	D1/112
D491,338	S *	6/2004	Arbaugh, II	D1/112
D531,384	S *	11/2006	Wang	D1/112
7,204,691	B2	4/2007	Darling et al.		
D551,978	S *	10/2007	Daniels	D9/456
7,306,458	B1	12/2007	Lu		

(Continued)

OTHER PUBLICATIONS

PCT International Search Report and Written Opinion for PCT App. No. PCT/US2016/020739.

(Continued)

Primary Examiner — Wan Laymon

(74) *Attorney, Agent, or Firm* — Ice Miller LLP

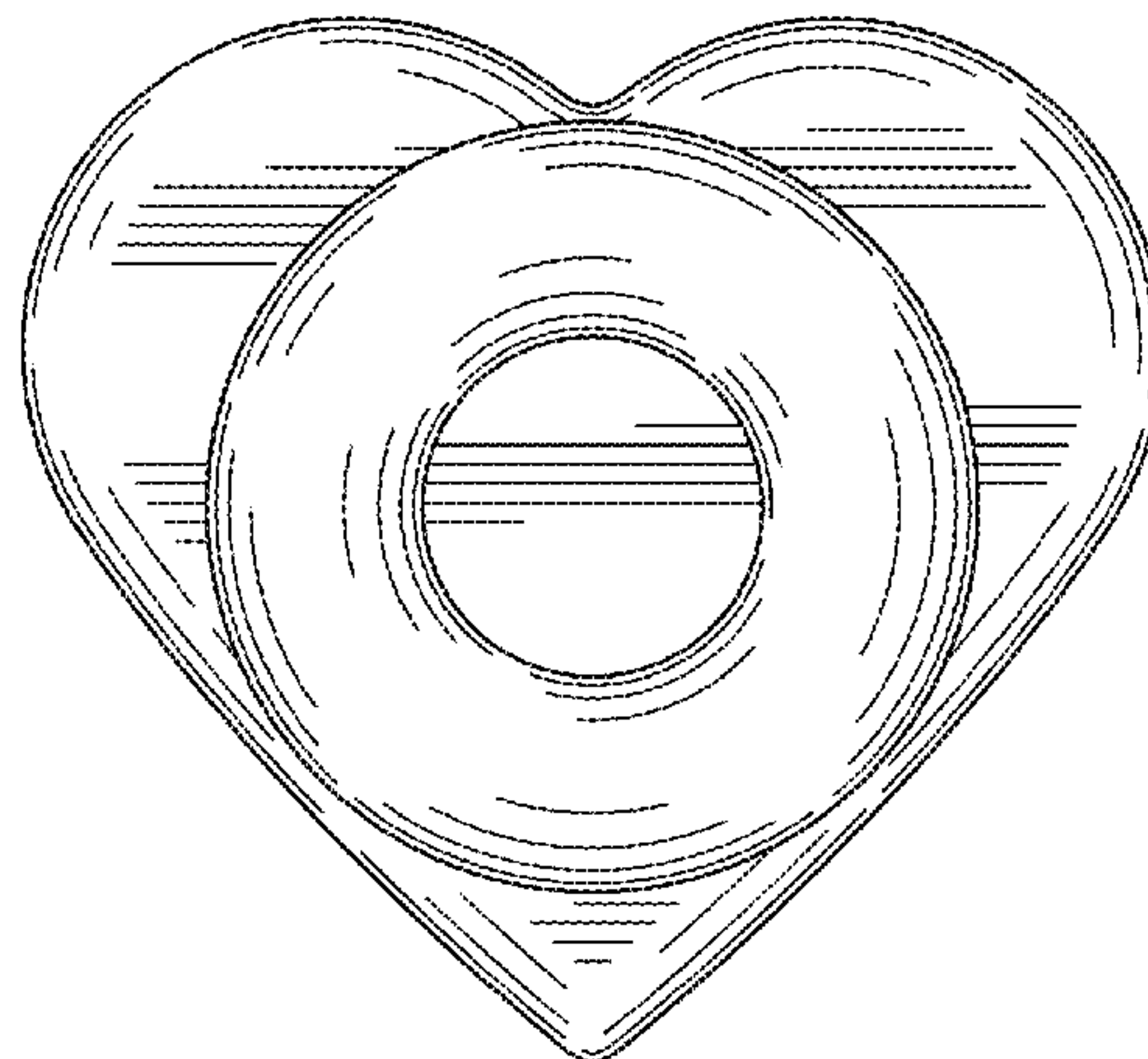
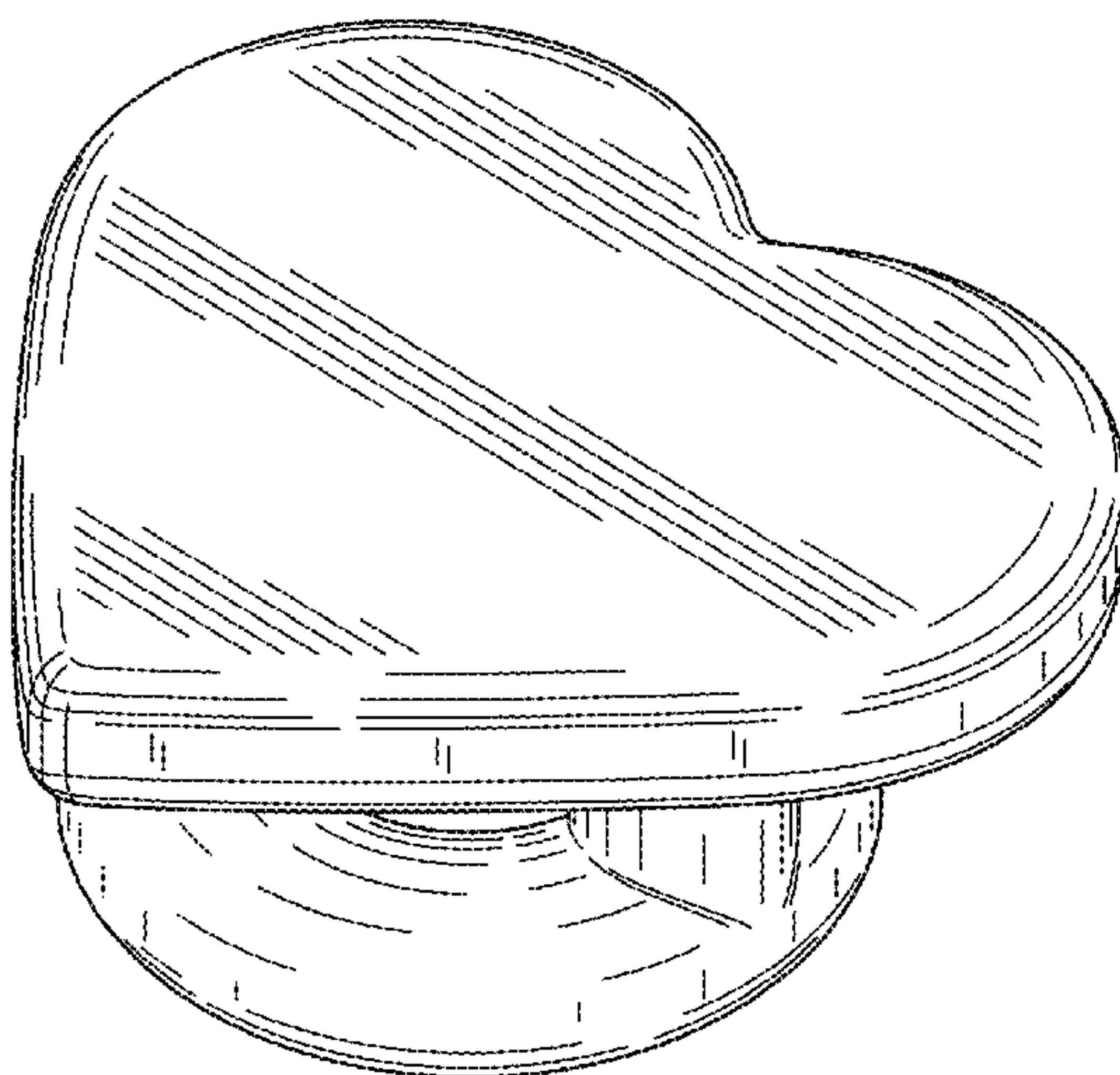
(57) **CLAIM**

The ornamental design for an orthodontic elastomeric ligature tie, as shown and described.

DESCRIPTION

FIG. 1 is a front perspective view of an orthodontic elastomeric ligature tie, showing my new design; FIG. 2 is a front elevational view thereof; FIG. 3 is a back elevational view thereof; FIG. 4 is a side elevational view thereof, and the opposite side elevational view is a mirror image of the side elevational view thereof; FIG. 5 is a top elevational view thereof; FIG. 6 is a bottom elevational view thereof; and, FIG. 7 is a front perspective view thereof, wherein the broken line showing of a mouth is for the purpose of illustrating an environment and forms no part of the claimed design.

1 Claim, 5 Drawing Sheets



(56)

References Cited

U.S. PATENT DOCUMENTS

D645,966 S * 9/2011 Broussard D24/180
D768,863 S * 10/2016 Paehl D24/180
2001/0049081 A1* 12/2001 Krupp A61C 7/00
433/18
2006/0292517 A1 12/2006 Smith
2007/0128572 A1 6/2007 Herman
2008/0153052 A1* 6/2008 Ianieri A61C 7/303
433/11
2010/0129765 A1 5/2010 Mohr et al.
2016/0256241 A1* 9/2016 Wigal A61C 7/30
2017/0000587 A1* 1/2017 Wigal A61C 7/125
2017/0086944 A1* 3/2017 Hulwi A61C 7/303

OTHER PUBLICATIONS

International Bureau of WIPO, PCT International Preliminary Report on Patentability for App. No. PCT/US2016/020739 Sep. 5, 2017.

* cited by examiner

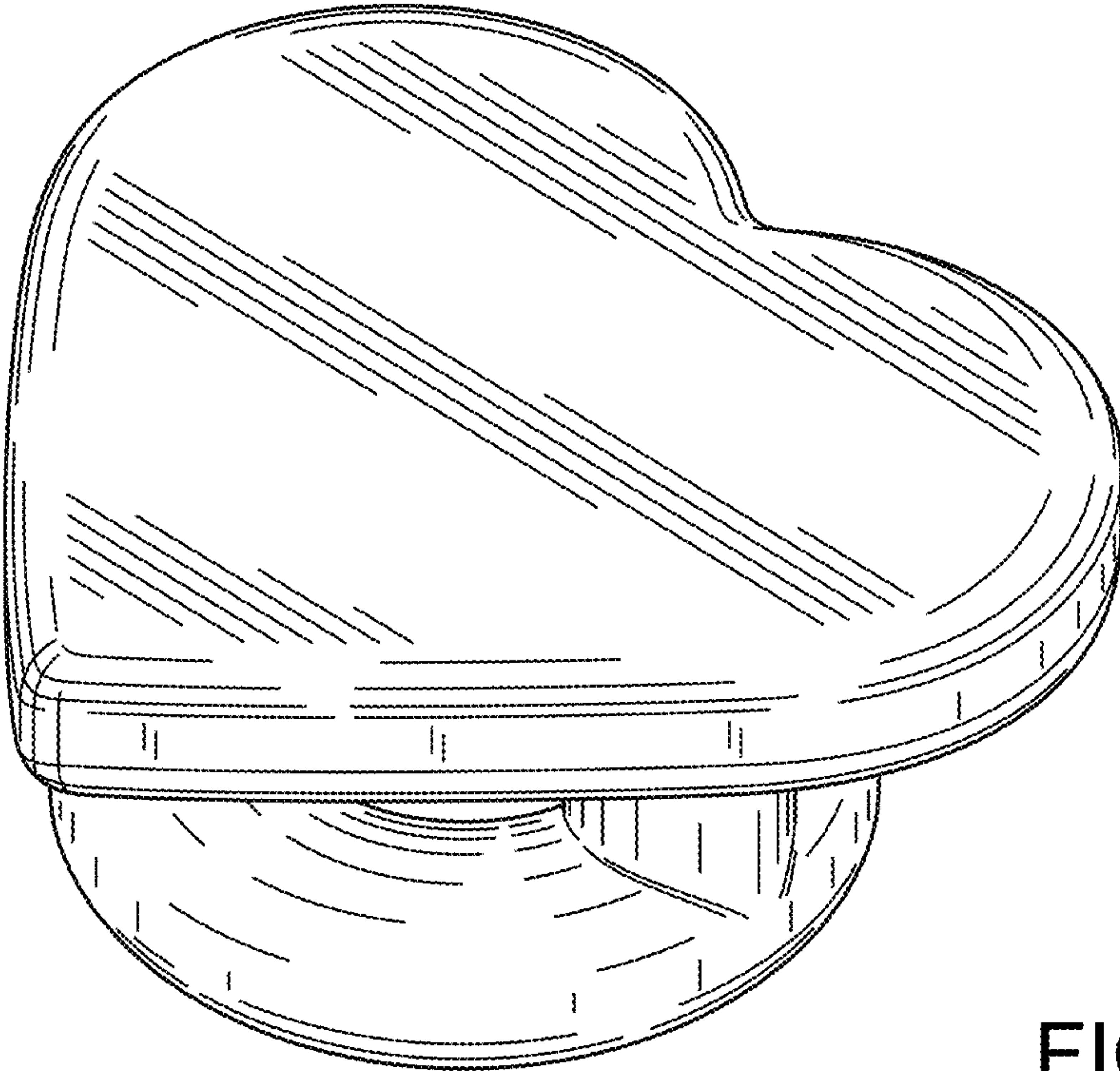


FIG. 1

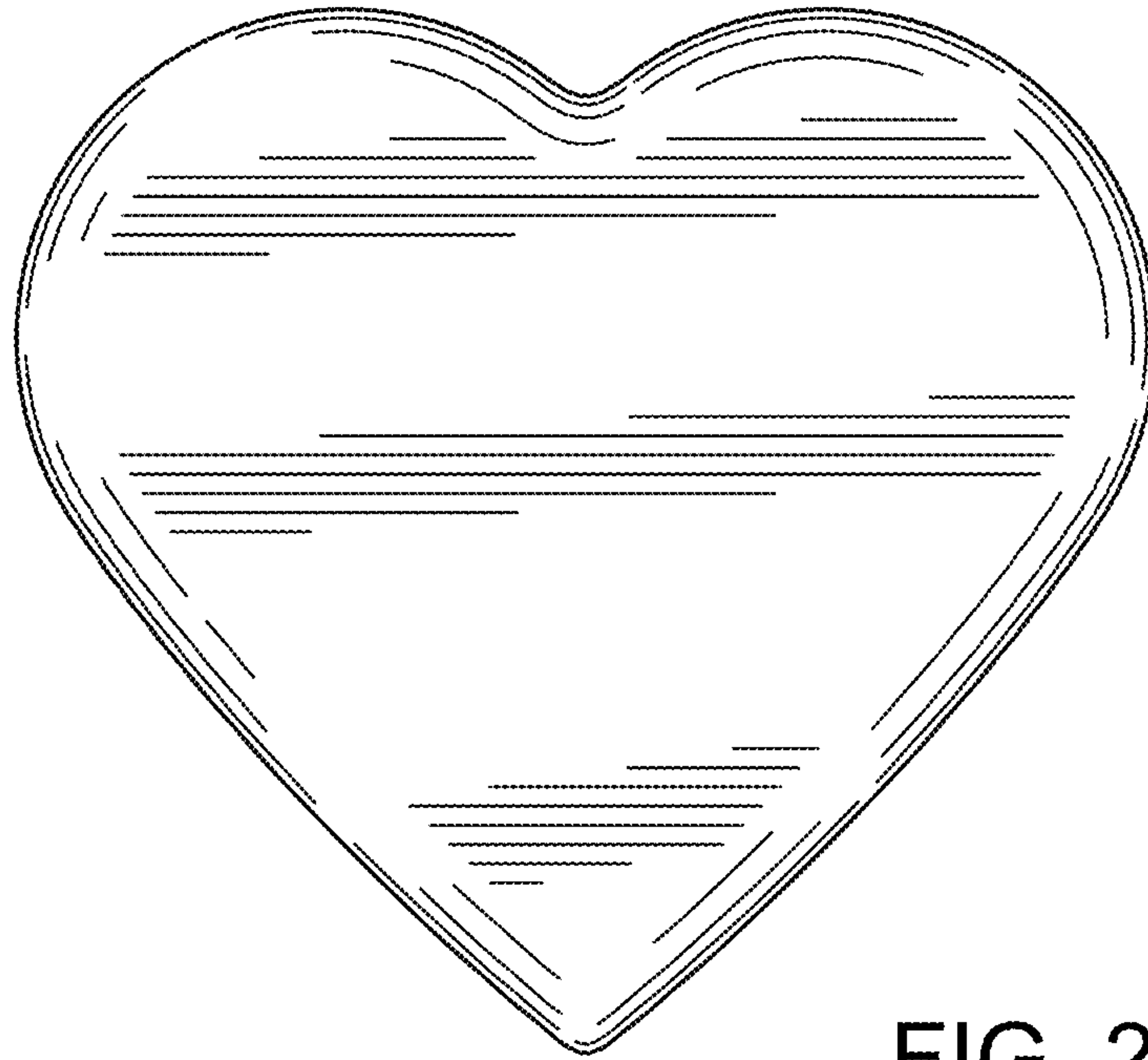


FIG. 2

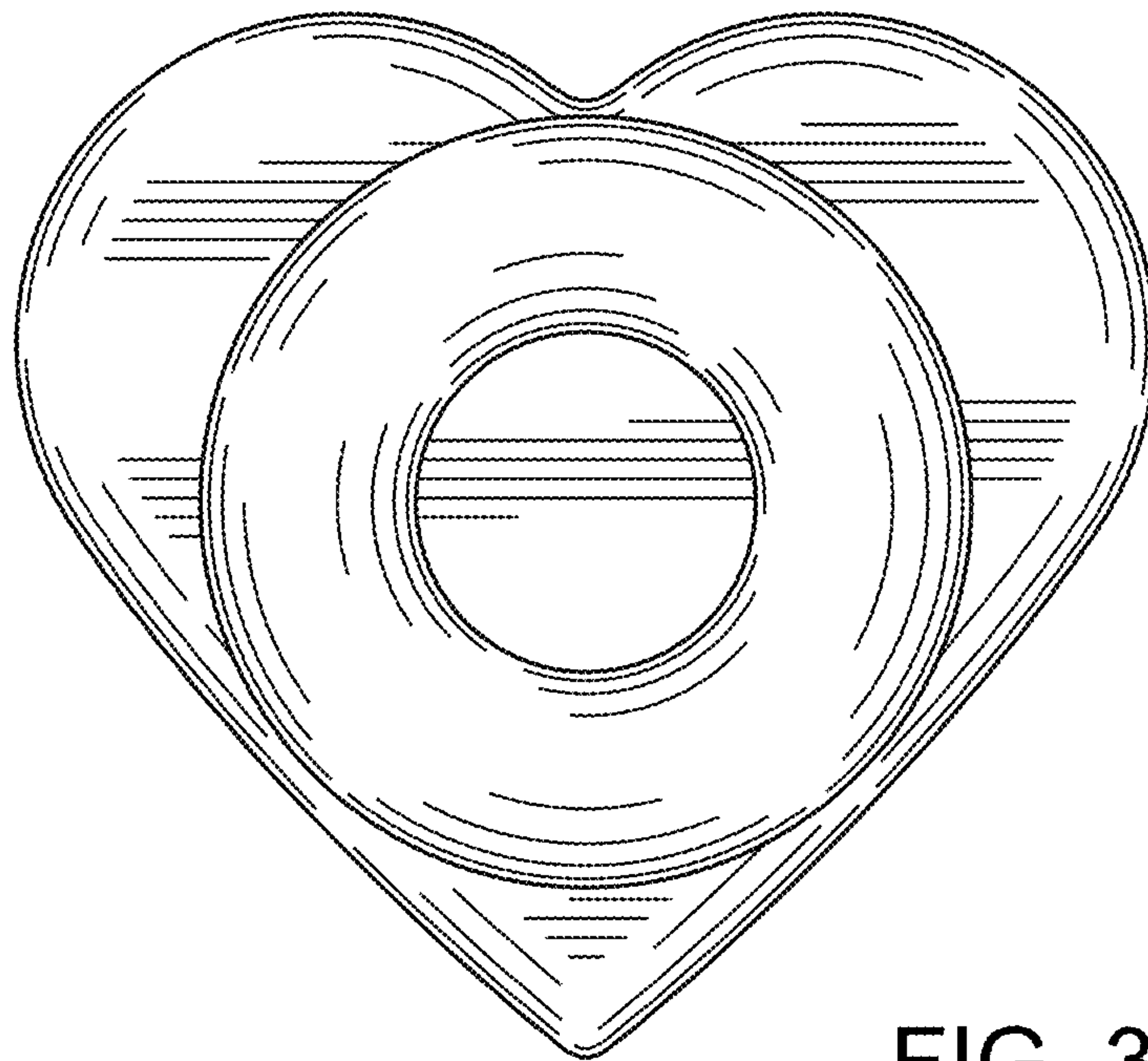


FIG. 3

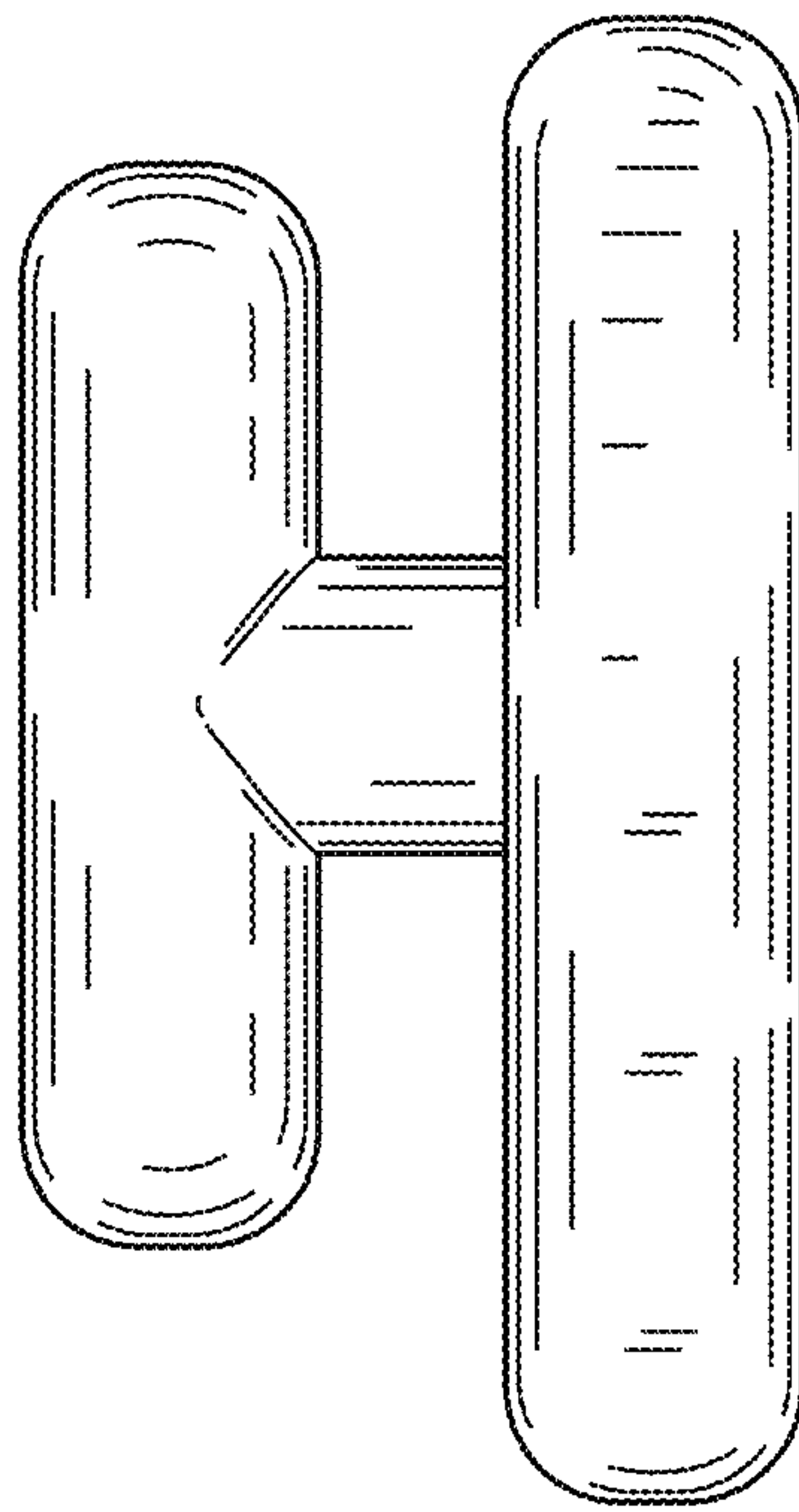


FIG. 4

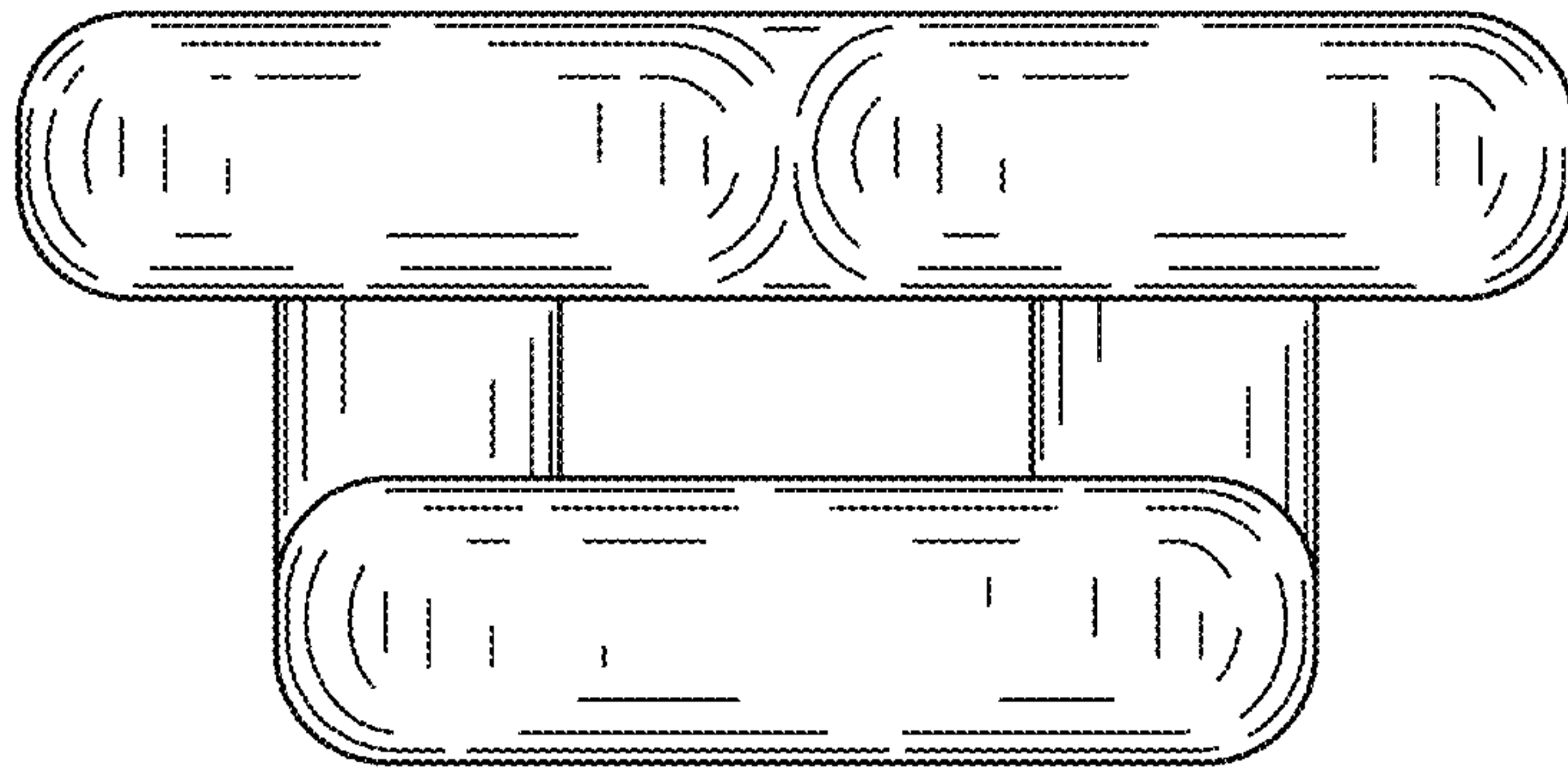


FIG. 5

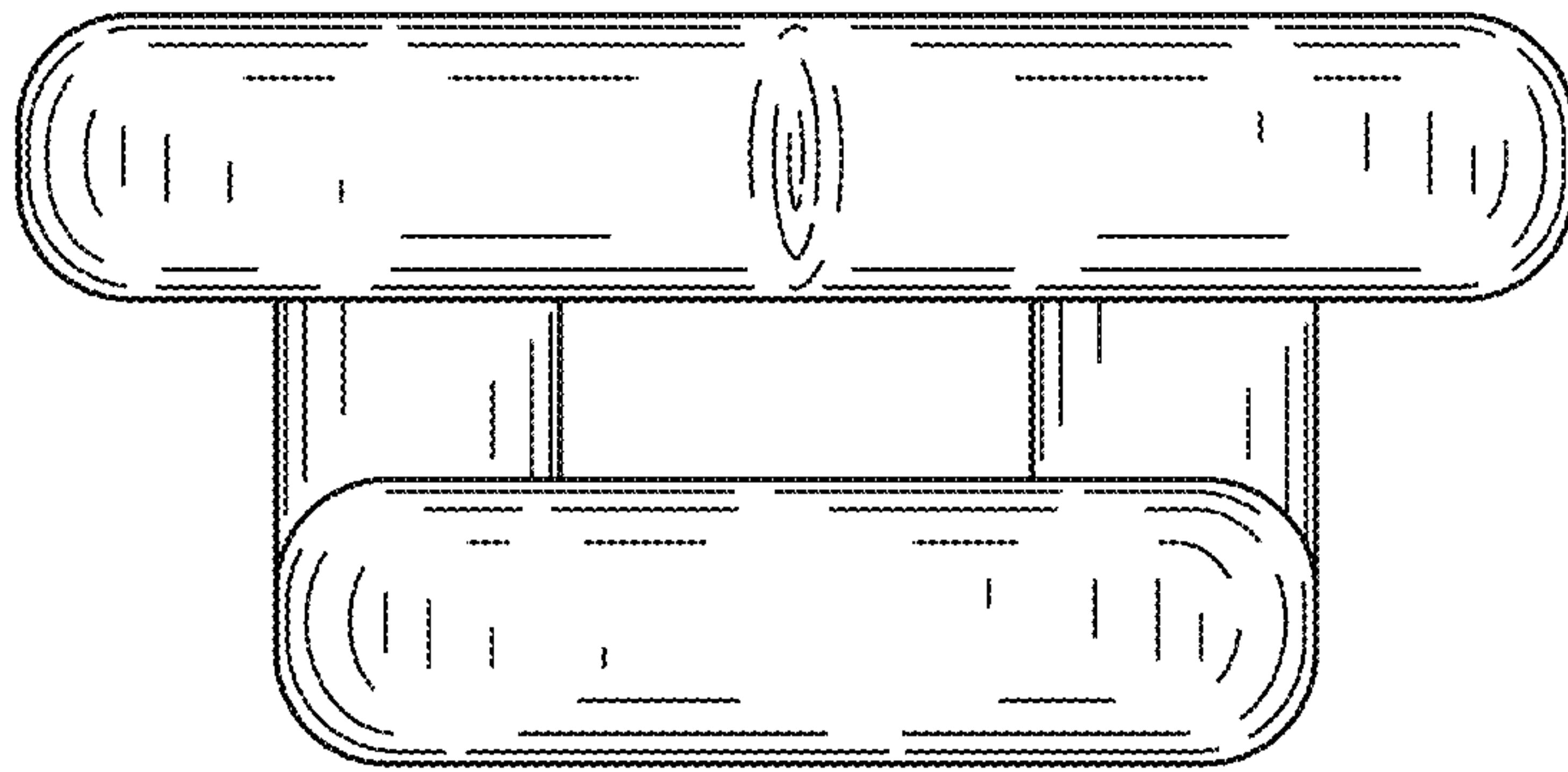


FIG. 6

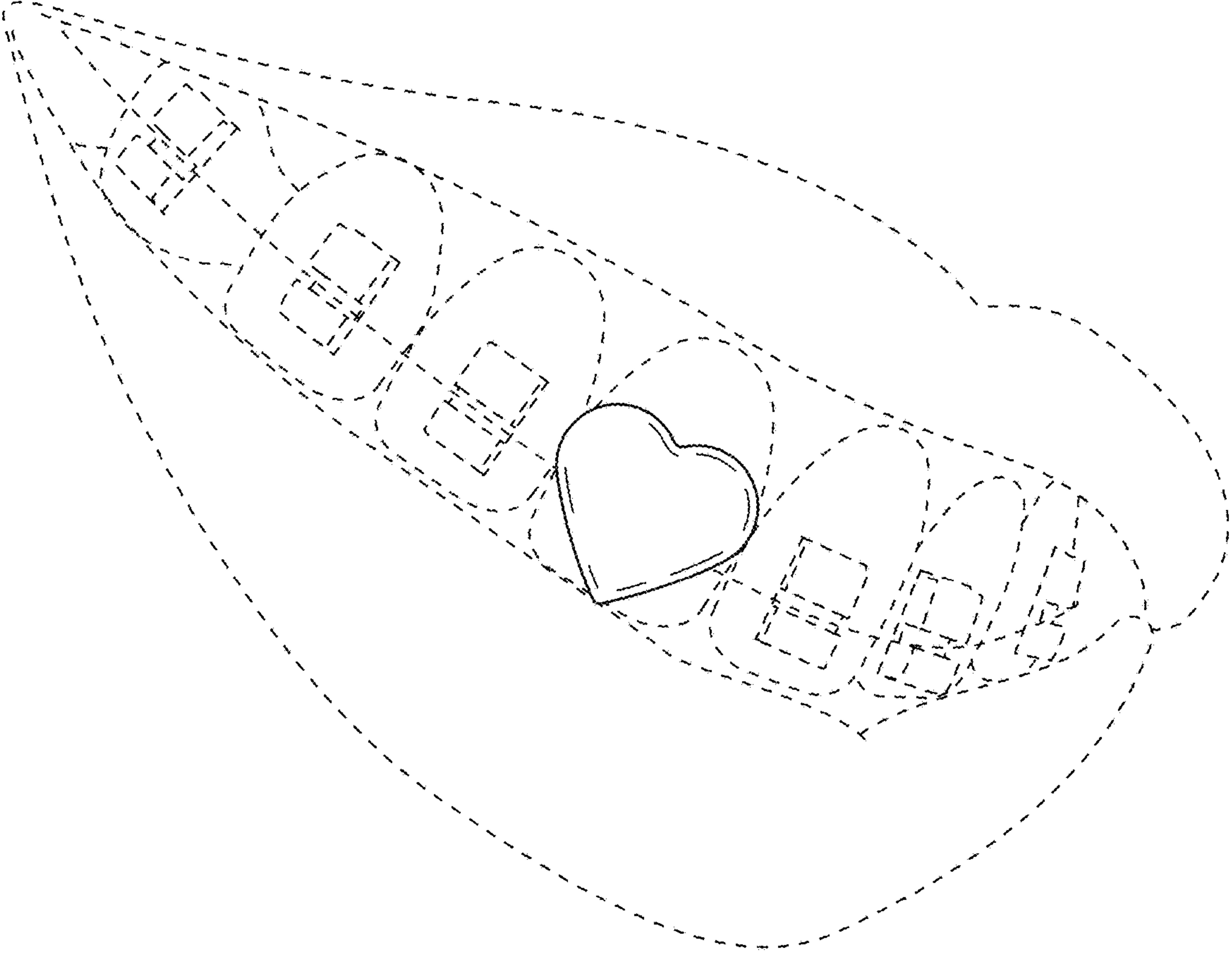


FIG. 7