



US00D809144S

(12) **United States Design Patent**
Wu

(10) **Patent No.:** **US D809,144 S**
(45) **Date of Patent:** **** Jan. 30, 2018**

(54) **INTELLIGENT HEART RATE MONITOR RING**

A63C 11/02; A61B 5/681; A61B 5/6824;
A61B 5/6825; A61B 5/6826

See application file for complete search history.

(71) Applicant: **Shenzhen DO Intelligent Technology Co., Ltd.**, Shenzhen (CN)

(56) **References Cited**

(72) Inventor: **Da-Jun Wu**, Shenzhen (CN)

U.S. PATENT DOCUMENTS

(73) Assignee: **SHENZHEN DO INTELLIGENT TECHNOLOGY CO., LTD.**, Shenzhen (CN)

D715,668 S *	10/2014	Roush	D10/70
D718,647 S *	12/2014	Roush	D10/70
D720,248 S *	12/2014	Law	D11/3
D746,477 S *	12/2015	Cha	D24/186
D747,714 S *	1/2016	Erbeus	D10/32
D757,583 S *	5/2016	Roush	D10/70
D759,516 S *	6/2016	Ling	D10/30
D790,374 S *	6/2017	Lean	D10/39
9,693,311 B2 *	6/2017	Cardozo	H04W 52/0258

(**) Term: **15 Years**

* cited by examiner

(21) Appl. No.: **29/574,747**

(22) Filed: **Aug. 18, 2016**

Primary Examiner — Antoine Duval Davis

(51) **LOC (11) Cl.** **24-01**

(74) *Attorney, Agent, or Firm* — WPAT, PC

(52) **U.S. Cl.**
USPC **D24/167**; D24/186; D10/39; D10/70;
D10/97; D14/344

(57) **CLAIM**

(58) **Field of Classification Search**

The ornamental design for an intelligent heart rate monitor ring, as shown and described.

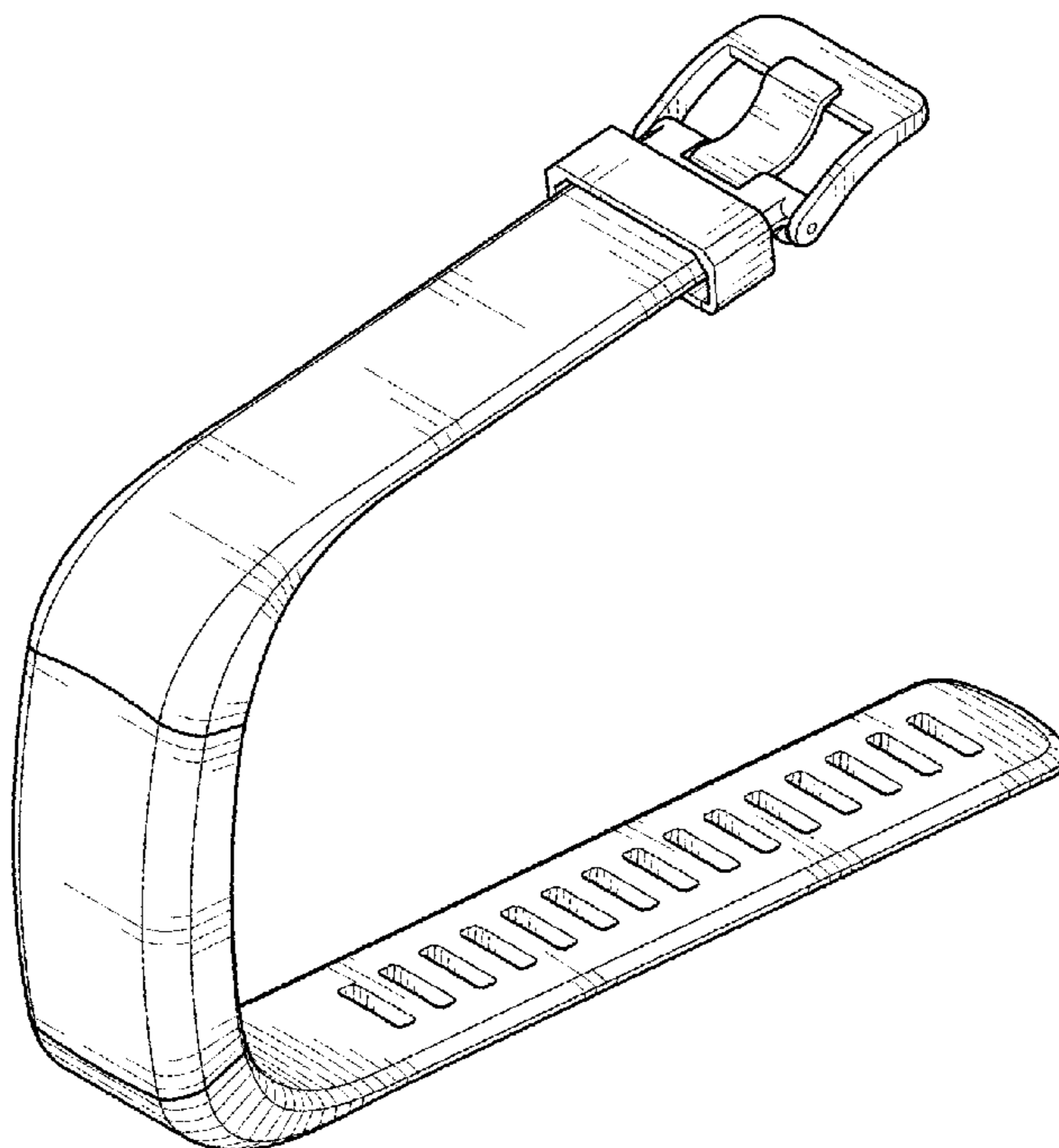
USPC D10/30–39, 65, 70, 78, 97, 98; D11/3;
D14/138 R, 203.5, 203.6, 341, 344, 347;
D24/167, 168, 186

CPC G04B 19/00–19/34; G04B 21/12; G04B
23/12; G04B 37/00–37/228; G04B
47/00–47/068; G01C 17/00; G01C
21/00–21/3697; G01C 22/00–22/025;
G01C 23/00–23/005; G01C 21/16; G06F
19/3481; G06F 3/00–3/027; G01P
1/00–1/26; G01P 15/00–15/18; A63B
24/00–2024/0096; A63B 2213/00; A63B
69/0028; A63B 2071/0658–2071/0666;
A63B 2220/00–2220/89; A63B 2225/02;

DESCRIPTION

FIG. 1 is a perspective view of the intelligent heart rate monitor ring showing my new design.
FIG. 2 is a front view thereof;
FIG. 3 is a back view thereof;
FIG. 4 is a left view thereof;
FIG. 5 is a right view thereof;
FIG. 6 is a top view thereof;
FIG. 7 is a bottom view thereof; and,
FIG. 8 is an another perspective view thereof.

1 Claim, 8 Drawing Sheets



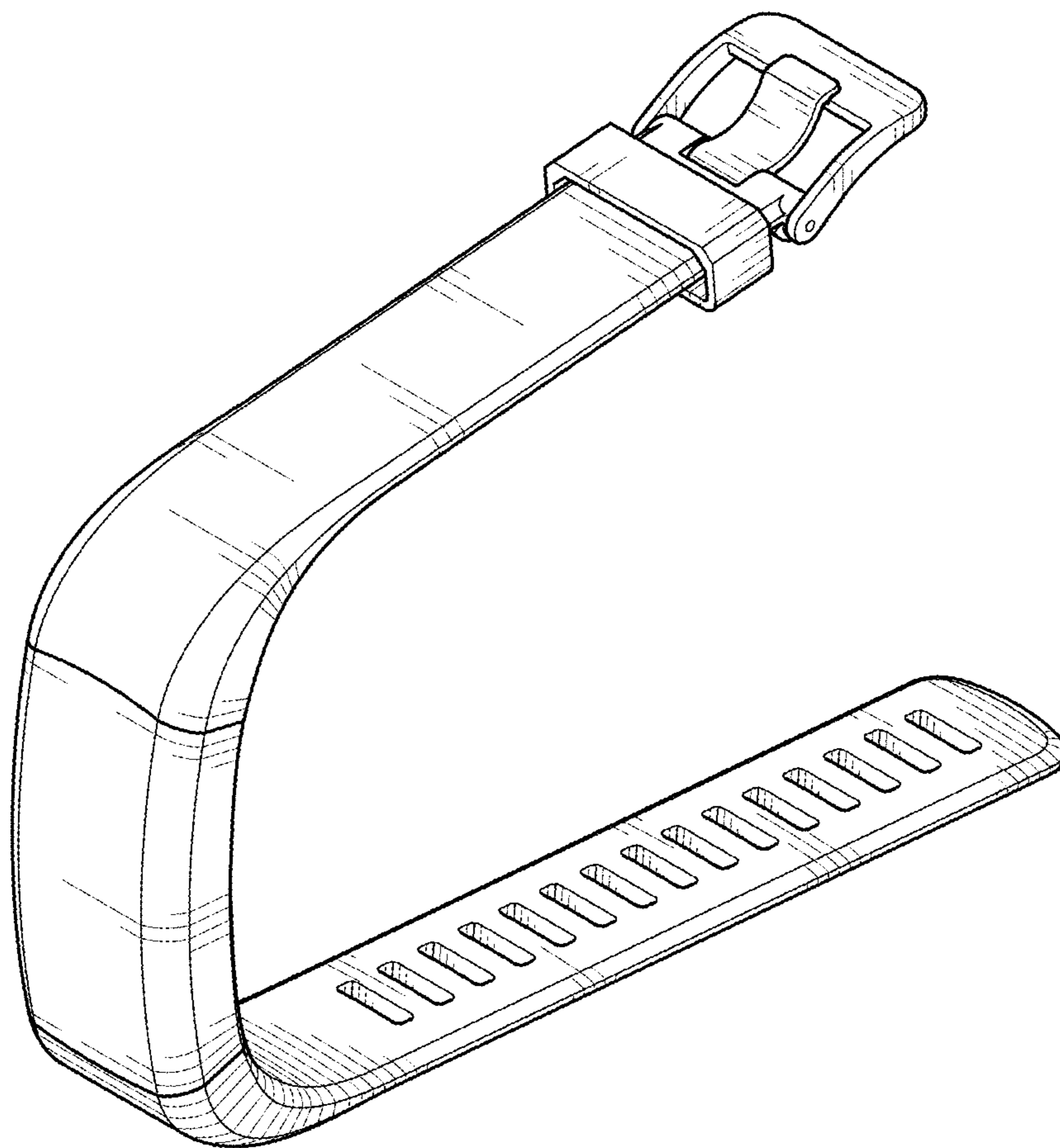


FIG. 1

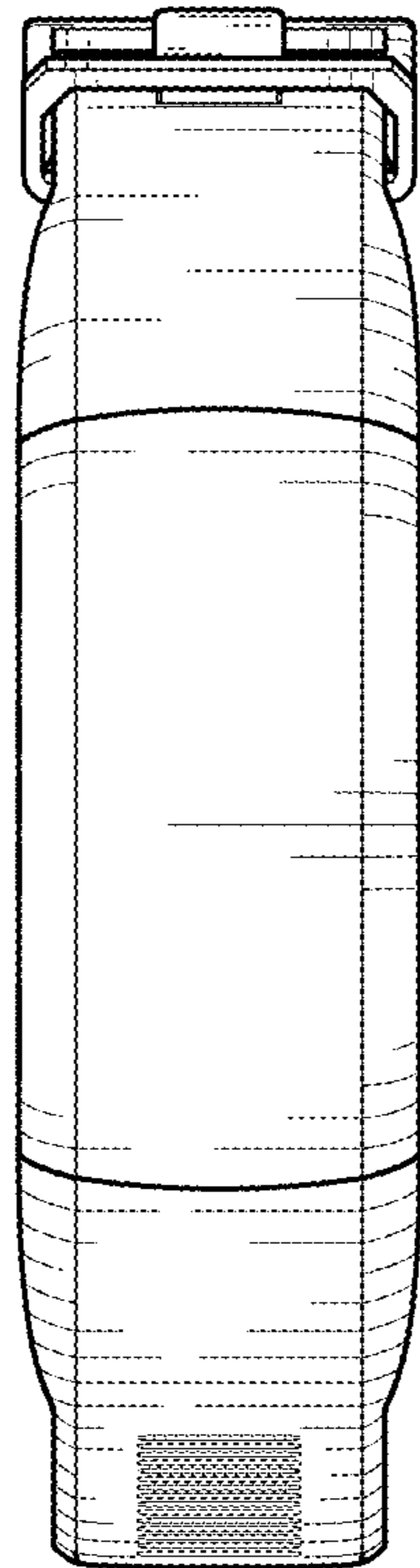


FIG. 2

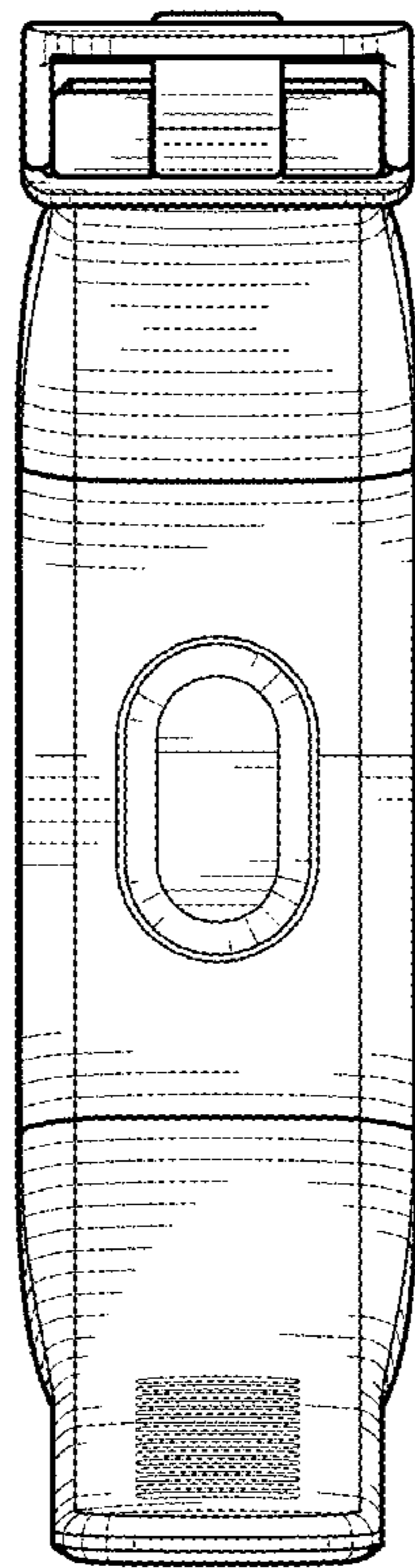


FIG. 3

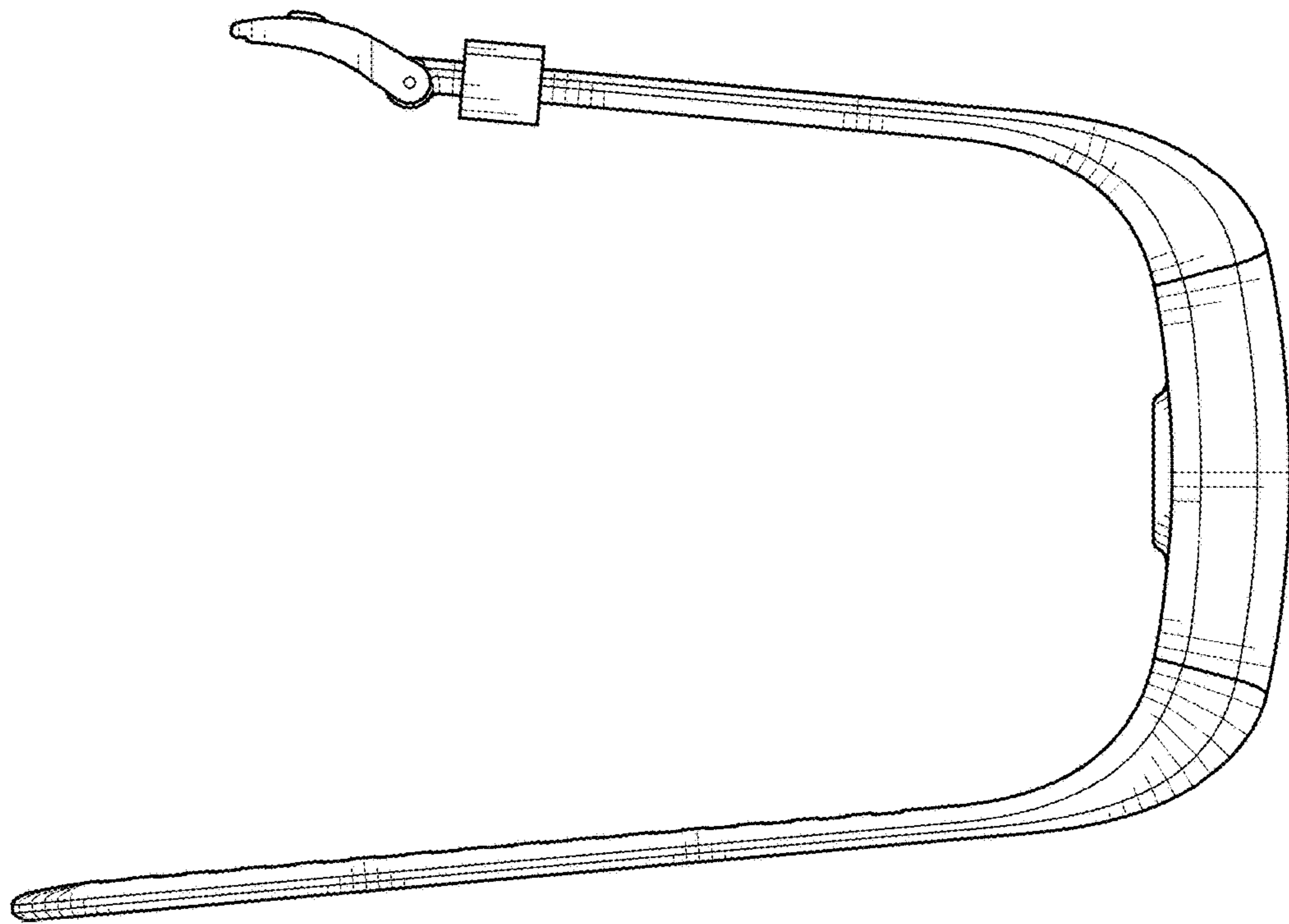


FIG. 4

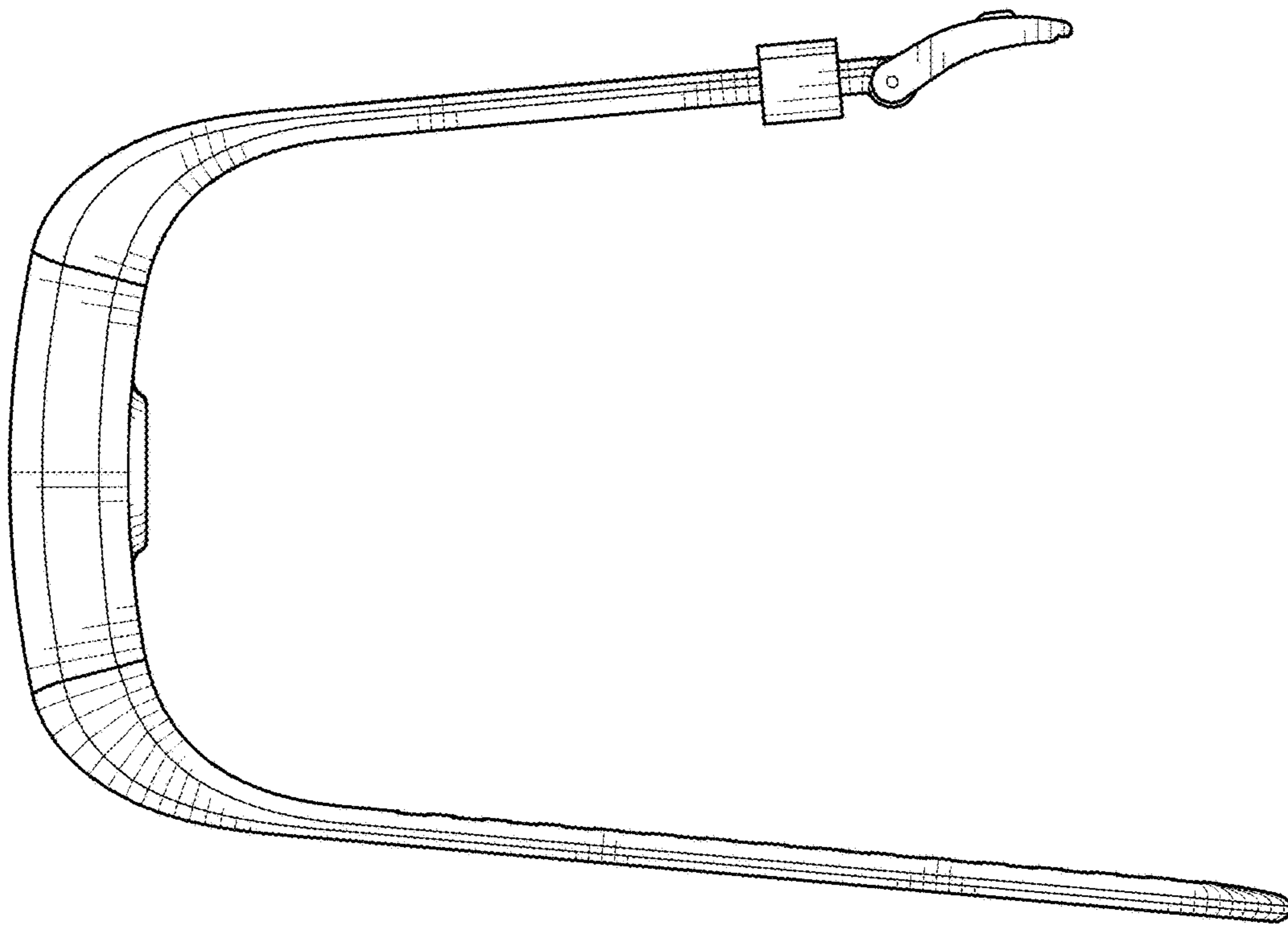


FIG. 5

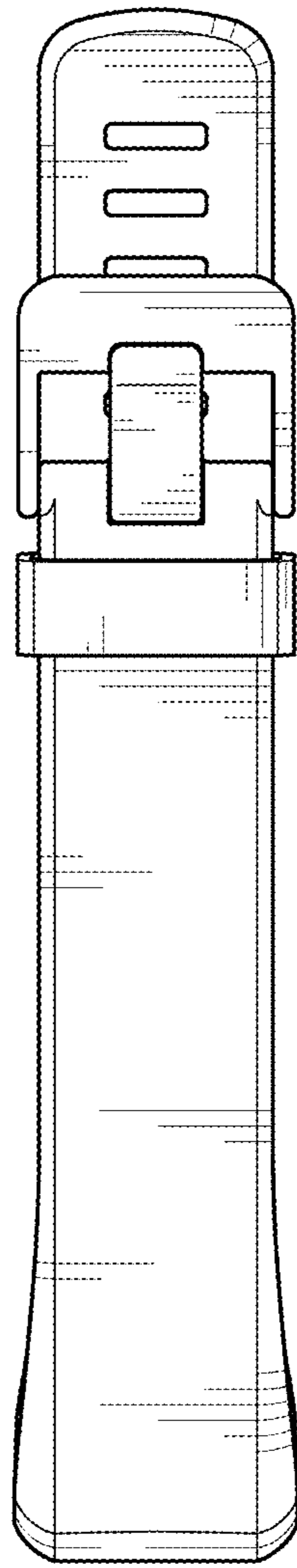


FIG. 6

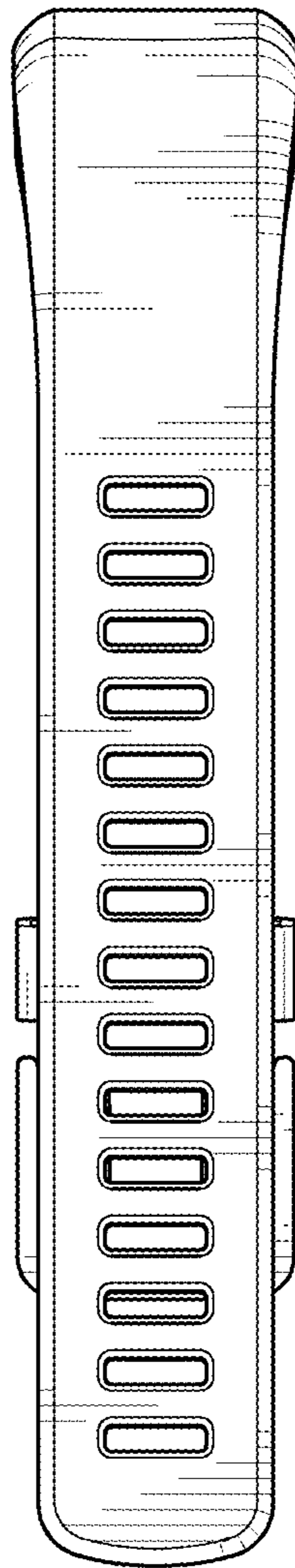


FIG. 7

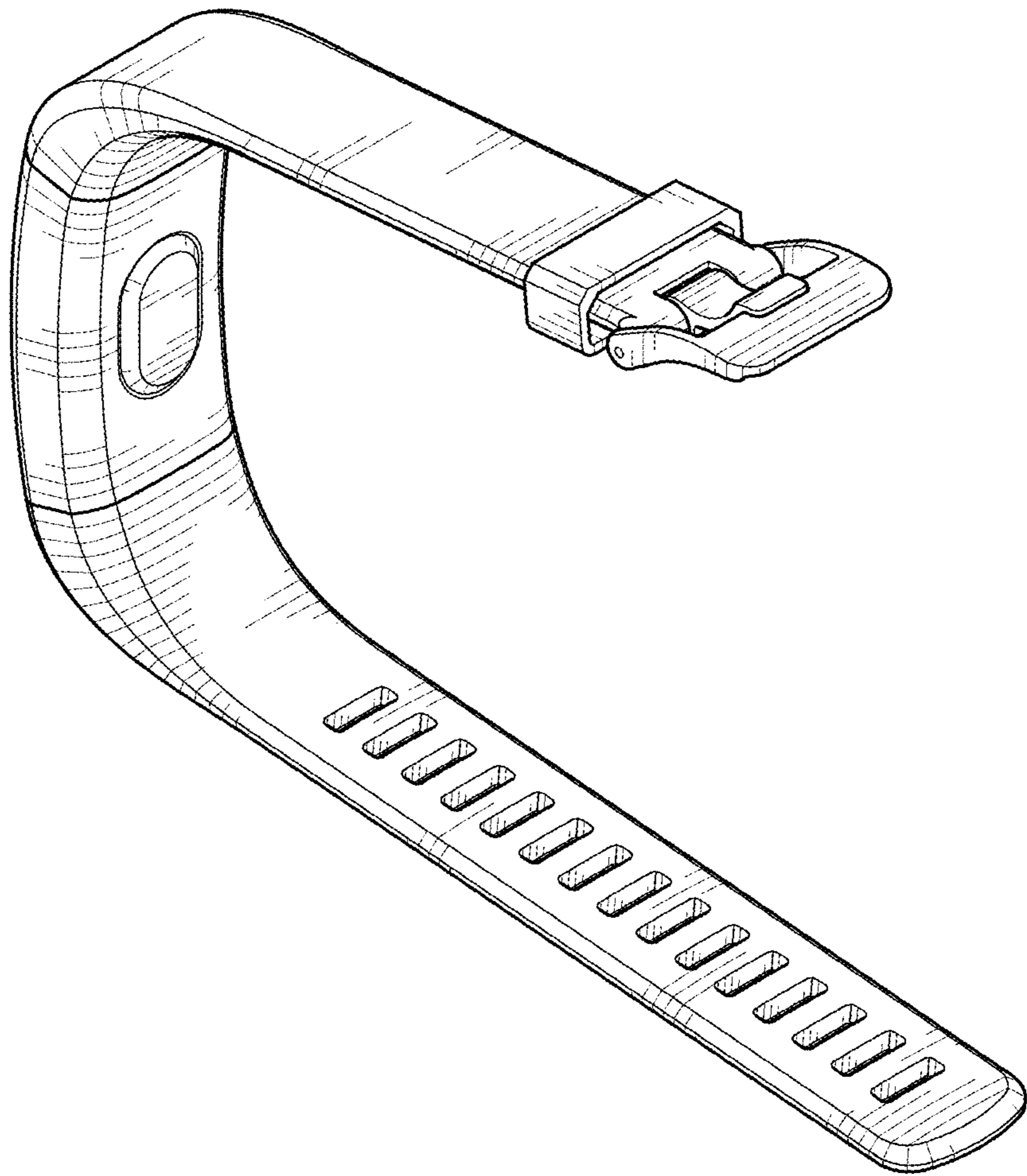


FIG. 8