



US00D809142S

(12) **United States Design Patent**
Lim et al.

(10) **Patent No.:** **US D809,142 S**
(45) **Date of Patent:** **** Jan. 30, 2018**

(54) **MONITOR ARM FOR ULTRASOUND
DIAGNOSTIC UNITS**

(71) Applicant: **SAMSUNG MEDISON CO., LTD.**,
Hongcheon-gun (KR)

(72) Inventors: **Sungwon Lim**, Pajusi (KR);
Cheonseop Shin, Sungnamsi (KR);
Junpil Moon, Seoul (KR); **Ui Kim**,
Seoul (KR)

(73) Assignee: **SAMSUNG MEDISON CO., LTD.**,
Hongcheon-Gun, Gangwon-Do (KR)

(**) Term: **15 Years**

(21) Appl. No.: **29/589,564**

(22) Filed: **Jan. 3, 2017**

(30) **Foreign Application Priority Data**

Nov. 22, 2016 (KR) 30-2016-0056115

(51) **LOC (11) Cl.** **24-01**

(52) **U.S. Cl.**
USPC **D24/160; D24/158**

(58) **Field of Classification Search**
USPC D24/107, 158–160, 185, 186, 231;
D14/447, 434, 451, 452, 457
CPC ... A61B 6/4405; A61B 6/4411; A61B 6/4435;
A61B 6/4441; A61B 6/4447; A61B
8/4405; A61B 8/4411; A61B 8/4427;
A61B 8/462; A61B 8/0437; A61B 8/0883
See application file for complete search history.

(56) **References Cited**

U.S. PATENT DOCUMENTS

D558,350 S * 12/2007 Kitayama D24/186
D560,807 S * 1/2008 Kitayama D24/158

D662,208 S * 6/2012 Otoha D24/185
D707,359 S * 6/2014 Kim D24/185
D707,360 S * 6/2014 Kim D24/185
D711,539 S * 8/2014 Hunt D24/158
D743,558 S * 11/2015 Kim D24/158
2007/0232907 A1* 10/2007 Pelissier A61B 8/00
600/437
2010/0191122 A1* 7/2010 Asai A61B 8/14
600/459
2013/0165790 A1* 6/2013 Kim A61B 8/4411
600/443
2016/0135916 A1* 5/2016 Rakic A61B 8/4218
601/2

* cited by examiner

Primary Examiner — Anhdao Doan

(74) *Attorney, Agent, or Firm* — Ladas & Parry LLP

(57) **CLAIM**

We claim the ornamental design for a monitor arm for ultrasound diagnostic units, as shown and described.

DESCRIPTION

FIG. 1 is the front perspective view of a monitor arm for ultrasound diagnostic units showing our new design; FIG. 2 is the front view thereof; FIG. 3 is the rear view thereof; FIG. 4 is the left-side view thereof; FIG. 5 is the right-side view thereof; FIG. 6 is the top view thereof; FIG. 7 is the bottom view thereof; and, FIGS. 8-10 are the front views in a state of use thereof. The broken lines depict portions of a monitor arm for ultrasound diagnostic units that form no part of the claimed design.

1 Claim, 9 Drawing Sheets

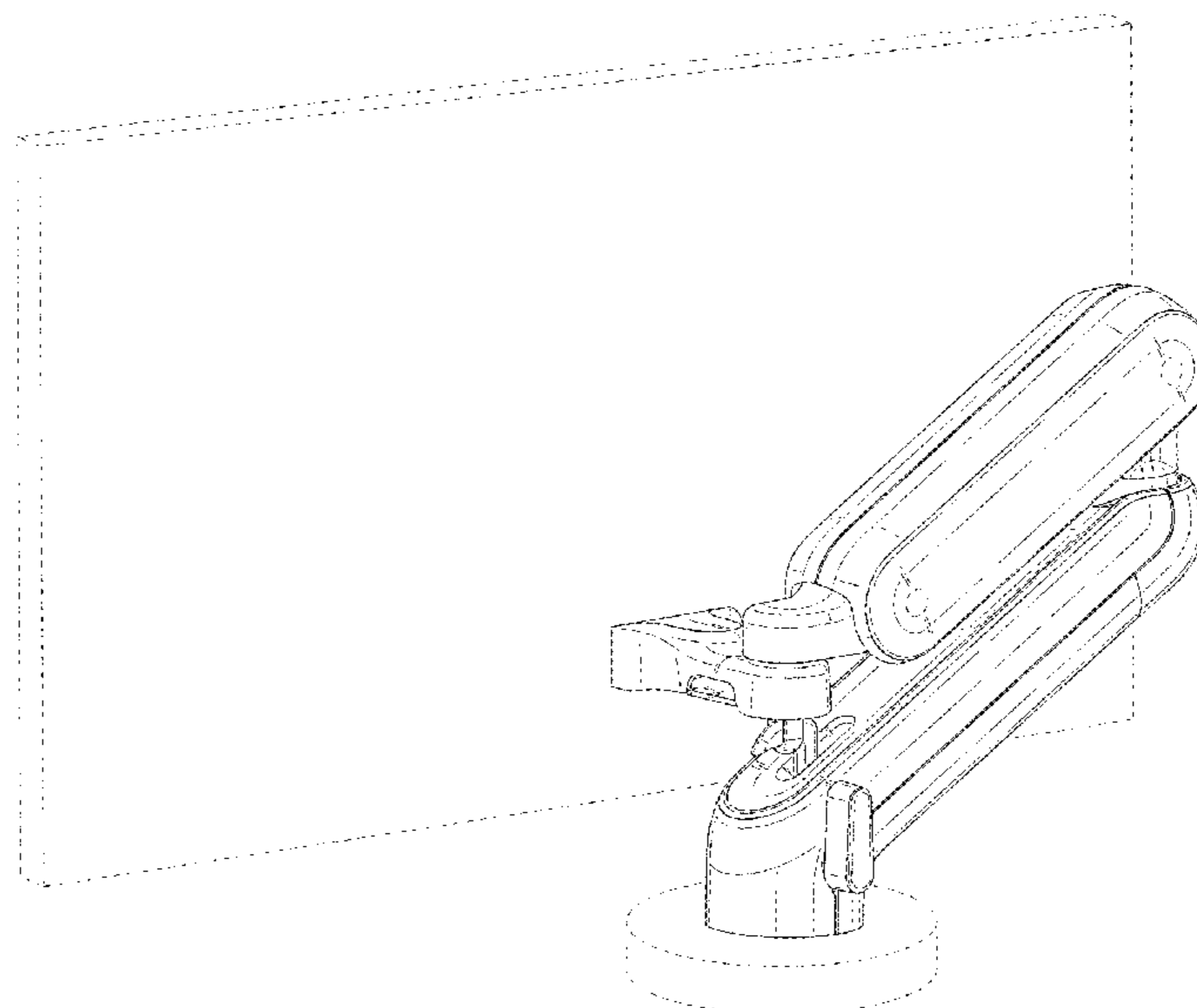


FIG. 1

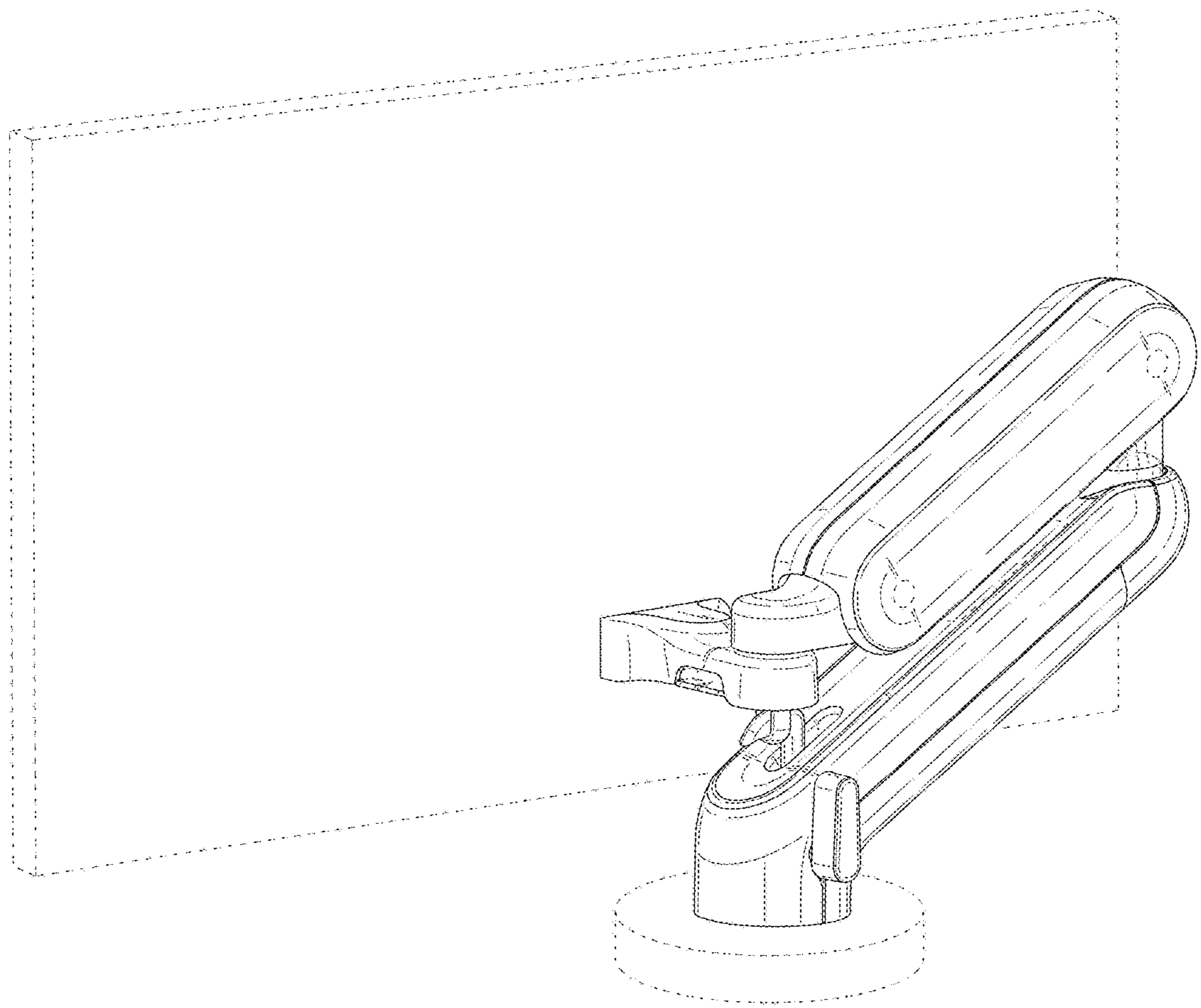


FIG. 2

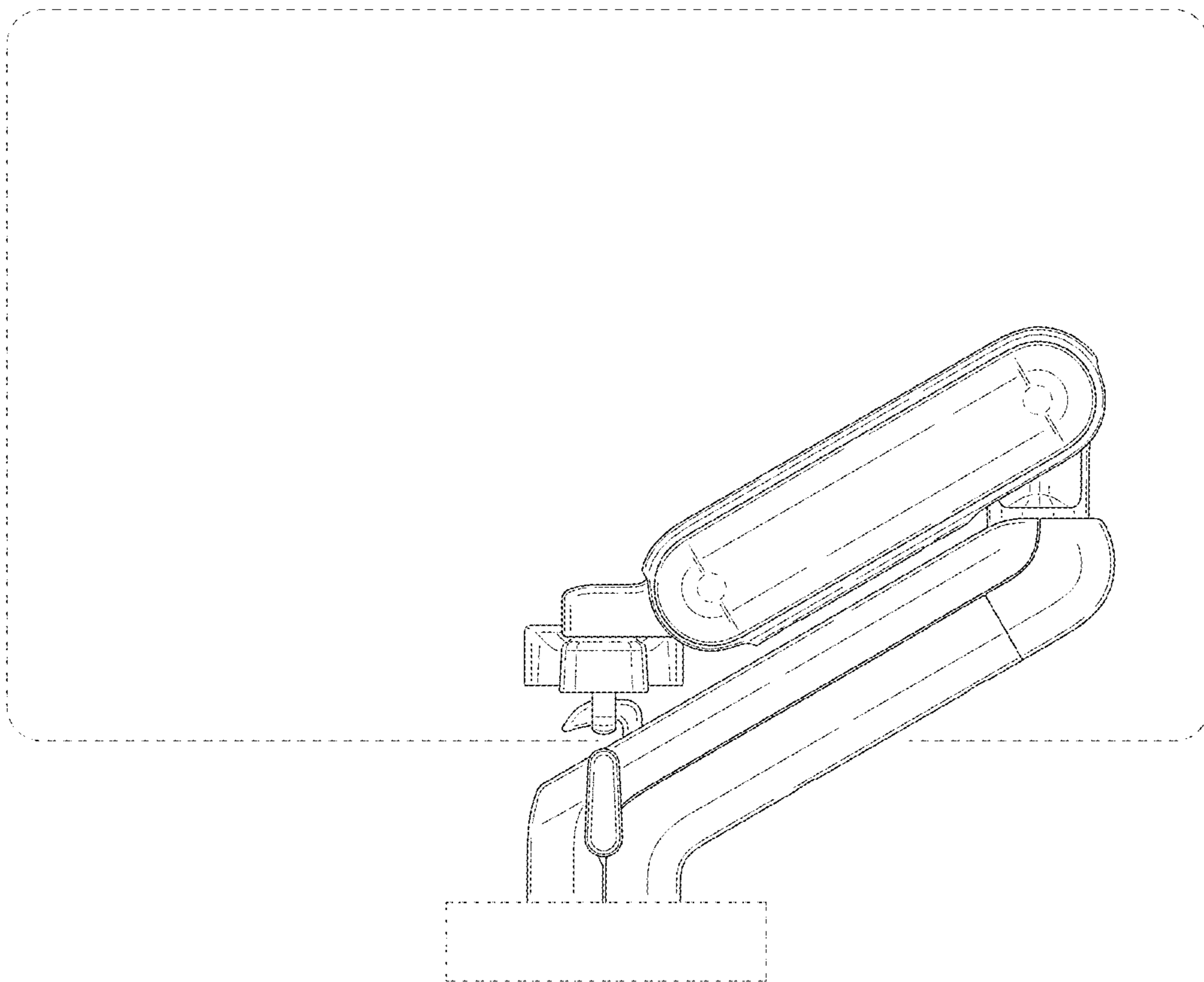


FIG. 3

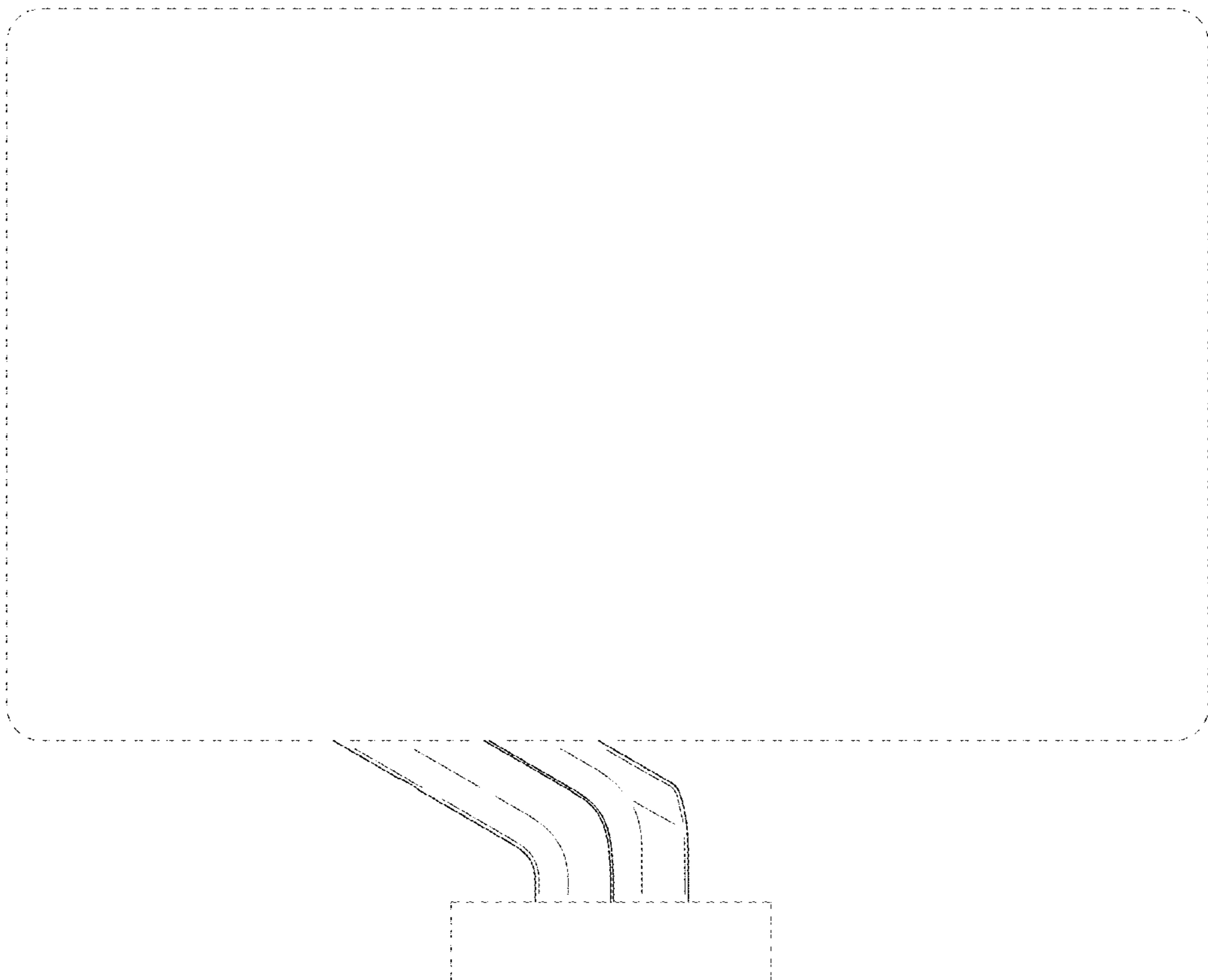


FIG. 4

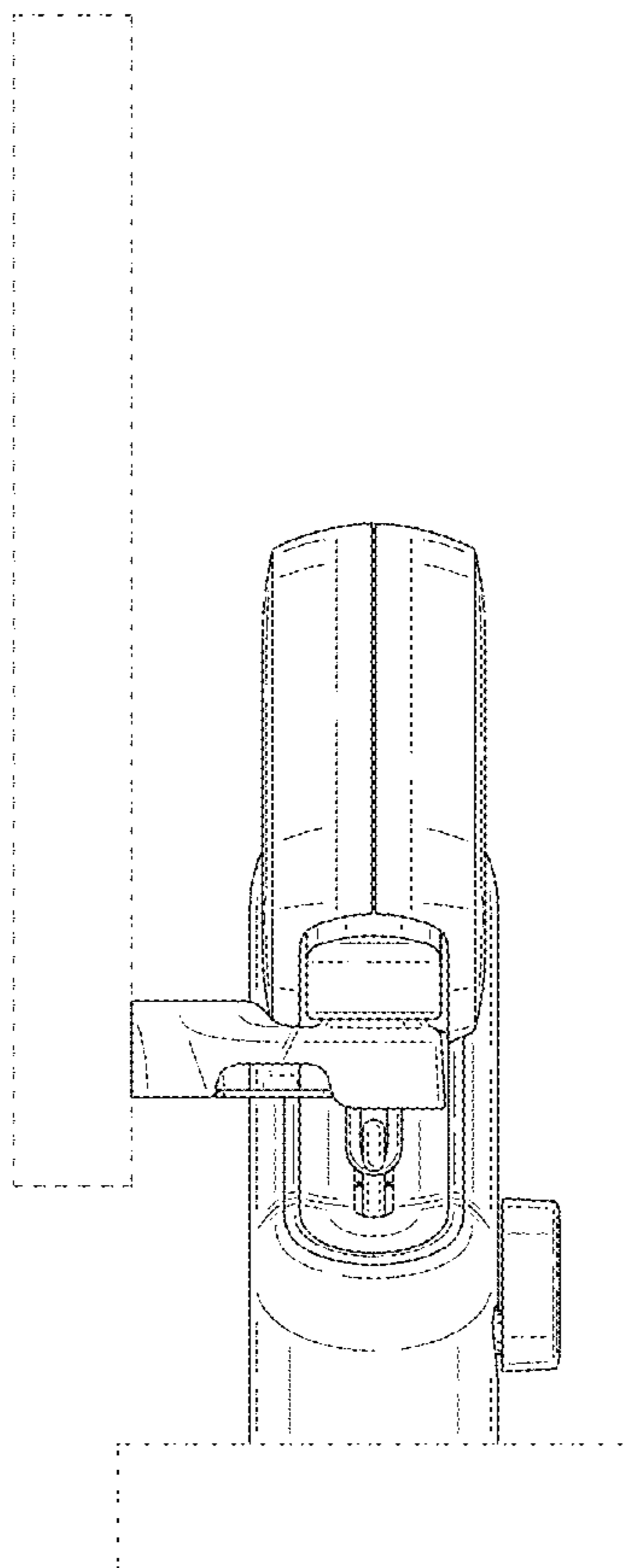


FIG. 5

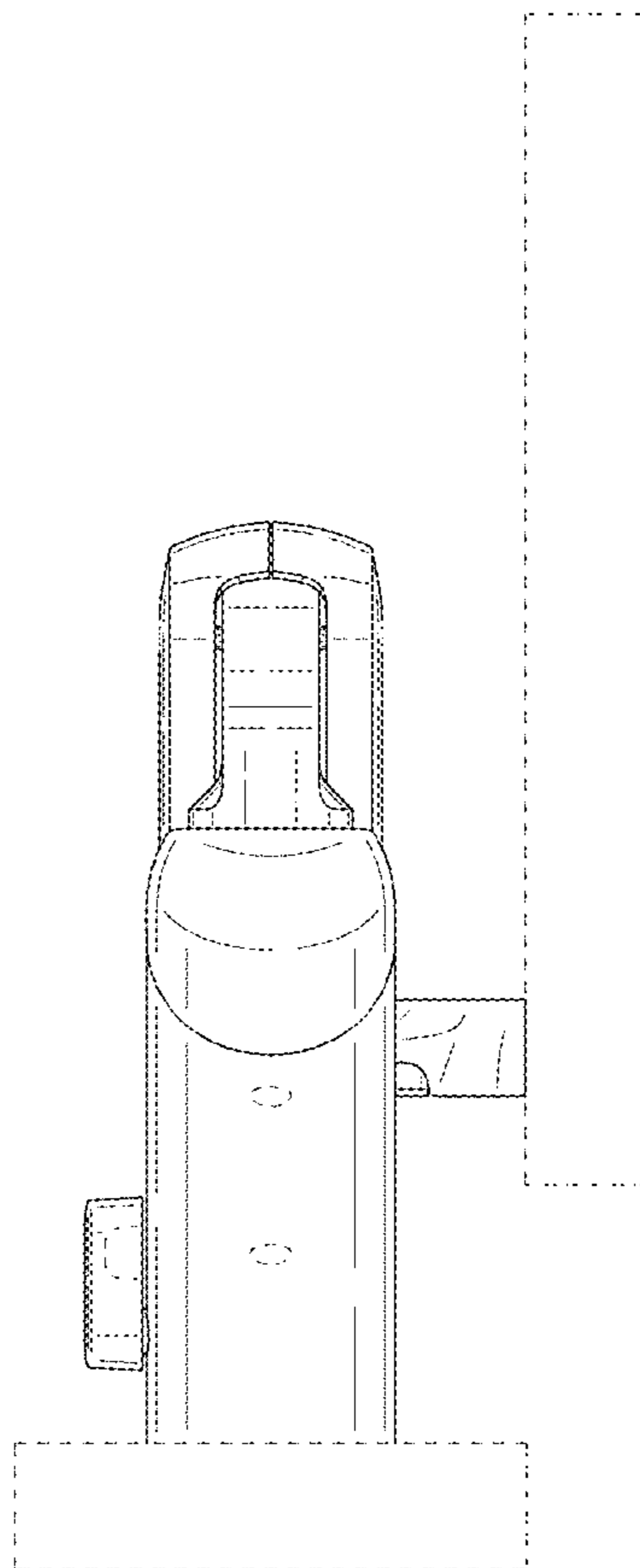


FIG. 6

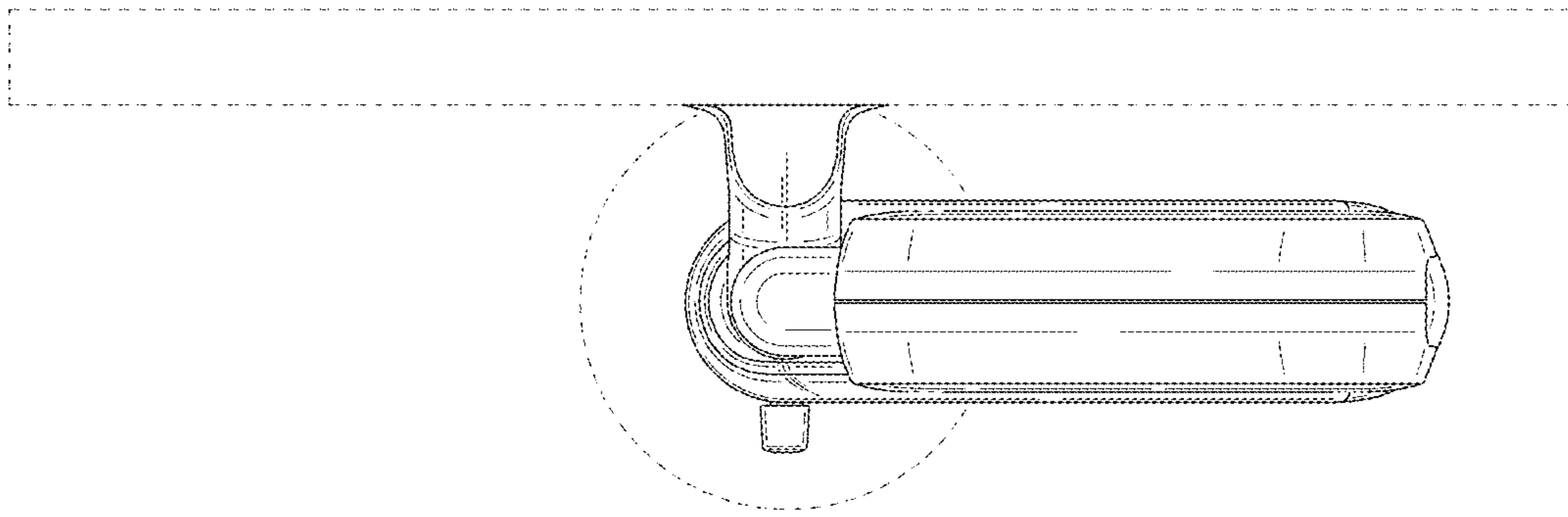


FIG. 7

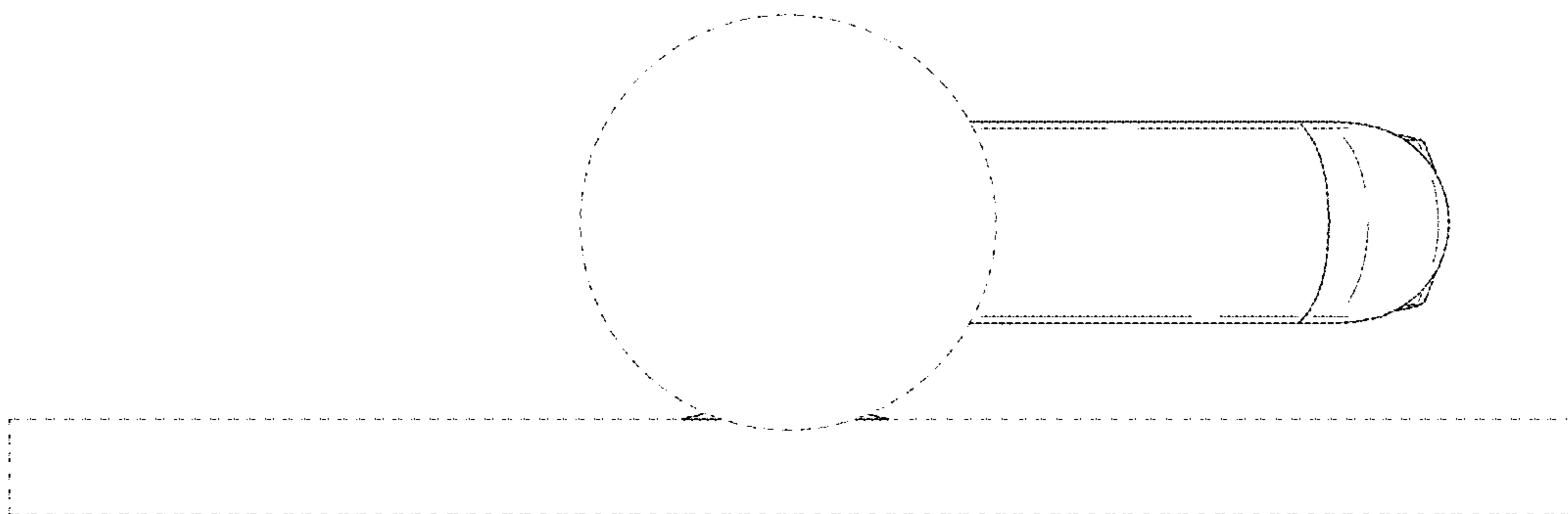


FIG. 8

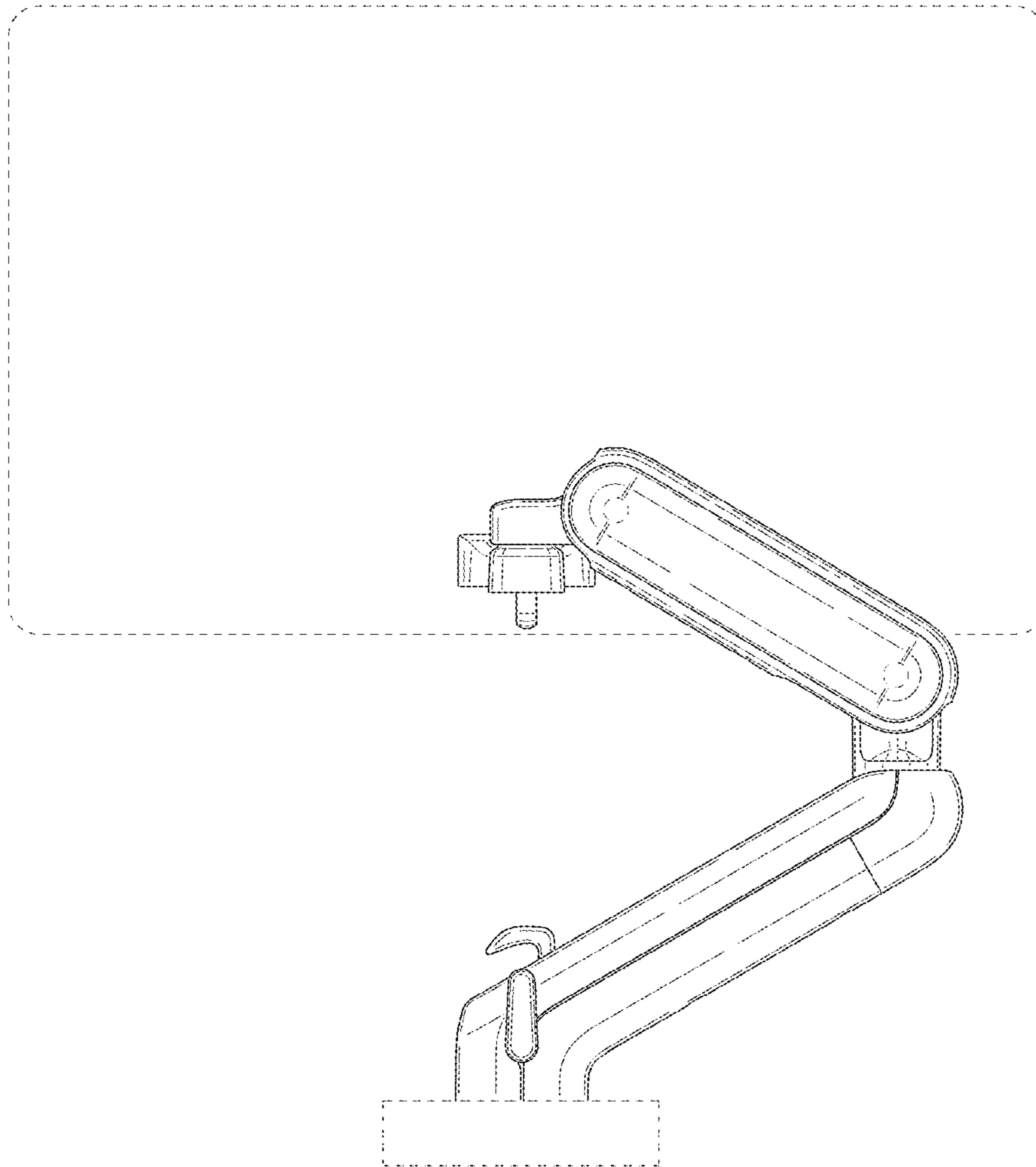


FIG. 9

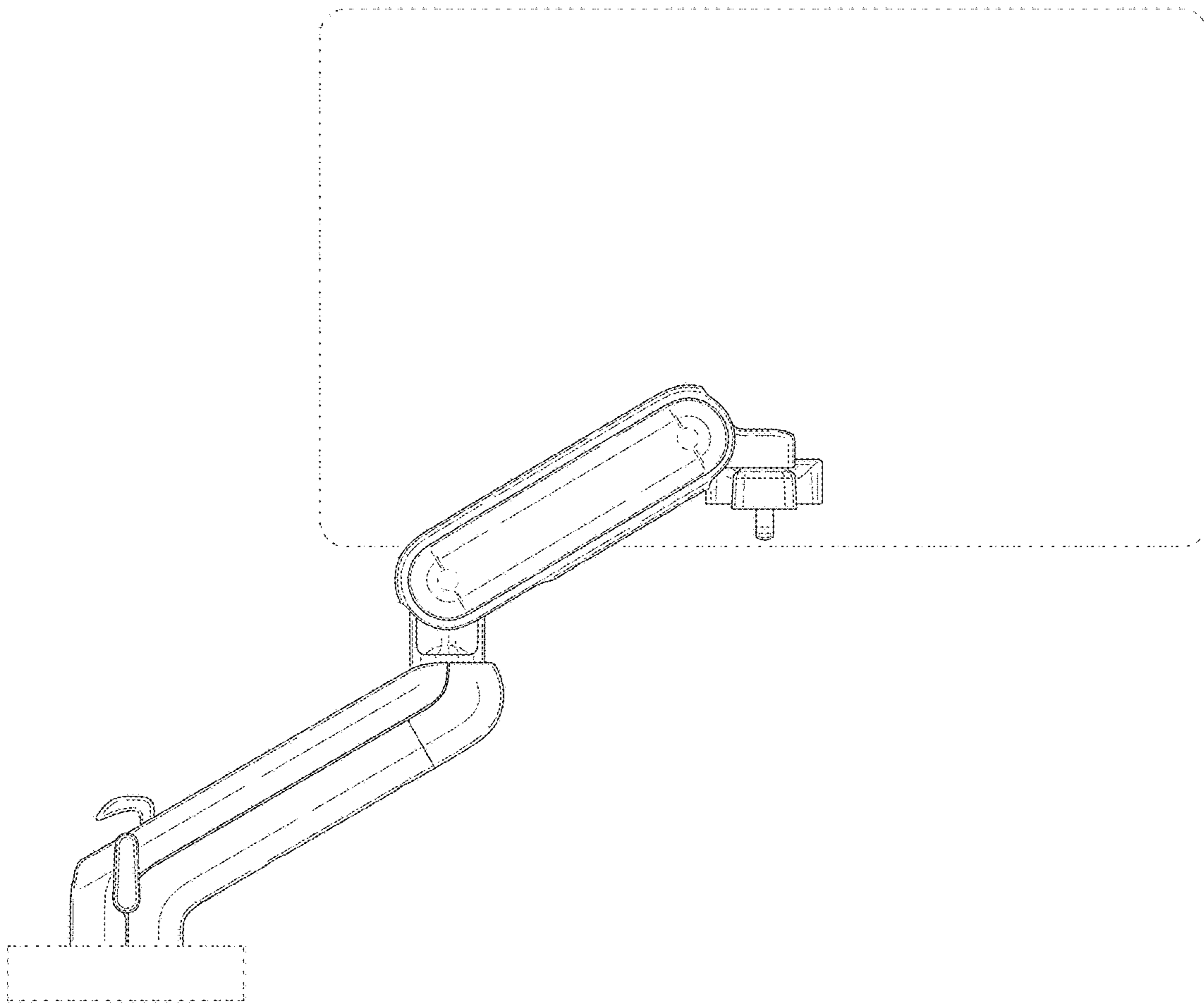


FIG. 10

