



US00D809141S

(12) **United States Design Patent** (10) **Patent No.:** **US D809,141 S**
Adams et al. (45) **Date of Patent:** **** Jan. 30, 2018**

(54) **ULTRASOUND IMAGING DISPLAY ASSEMBLY**

(71) Applicant: **Mindray DS USA, Inc.**, Mahwah, NJ (US)

(72) Inventors: **Ishmael Adams**, Chicago, IL (US);
Luis Canas, Randolph, MA (US);
Amanda Cowley, Pittsburgh, PA (US);
Peter Schon, New York City, NY (US)

(73) Assignee: **SHENZHEN MINDRAY BIO-MEDICAL ELECTRONICS CO., LTD.**, Shenzhen (CN)

(**) Term: **14 Years**

(21) Appl. No.: **29/494,545**

(22) Filed: **Jun. 20, 2014**

(51) **LOC (11) Cl.** **24-01**

(52) **U.S. Cl.**
USPC **D24/158**; D24/160

(58) **Field of Classification Search**
USPC D24/158-161, 185, 186, 107; D14/341
CPC A61B 8/13; A61B 8/44; A61B 8/42; A61B 8/46; A61B 8/54
See application file for complete search history.

(56) **References Cited**

U.S. PATENT DOCUMENTS

D558,351 S	*	12/2007	Diener	D24/186
D562,456 S	*	2/2008	Scruggs	D24/160
D593,551 S	*	6/2009	Ferrari	D14/341
D598,109 S	*	8/2009	Collins	D24/186
D643,936 S	*	8/2011	Oonuma	D24/232

D650,484 S	*	12/2011	Shinohara	D24/186
D653,348 S	*	1/2012	Barker	D24/186
D657,470 S	*	4/2012	Schon	D24/186
D695,410 S	*	12/2013	Becker	D14/371
D699,354 S	*	2/2014	Chung	D24/158
D712,037 S	*	8/2014	Hansen	D24/158
D723,173 S	*	2/2015	Kim	D14/371
D735,343 S	*	7/2015	Dorsey	D24/186

* cited by examiner

Primary Examiner — Anhdao Doan

(74) *Attorney, Agent, or Firm* — Kory D. Christensen; Polsinelli LLP

(57) **CLAIM**

The ornamental design for an ultrasound imaging display assembly, as shown and described.

DESCRIPTION

FIG. 1 is a front perspective of an ultrasound imaging display assembly showing our new design; FIG. 2 is a front elevation view thereof; FIG. 3 is a rear elevation view thereof; FIG. 4 is a side elevation view thereof; FIG. 5 is a side elevation view thereof; FIG. 6 is a top plan view thereof; FIG. 7 is a rear perspective view thereof; and, FIG. 8 is another rear perspective view thereof. The broken lines immediately adjacent the shaded areas represent the bounds of the claimed design, while all other broken lines are directed to environment and are for illustrative purposes only; broken lines form no part of the claimed design.

1 Claim, 8 Drawing Sheets

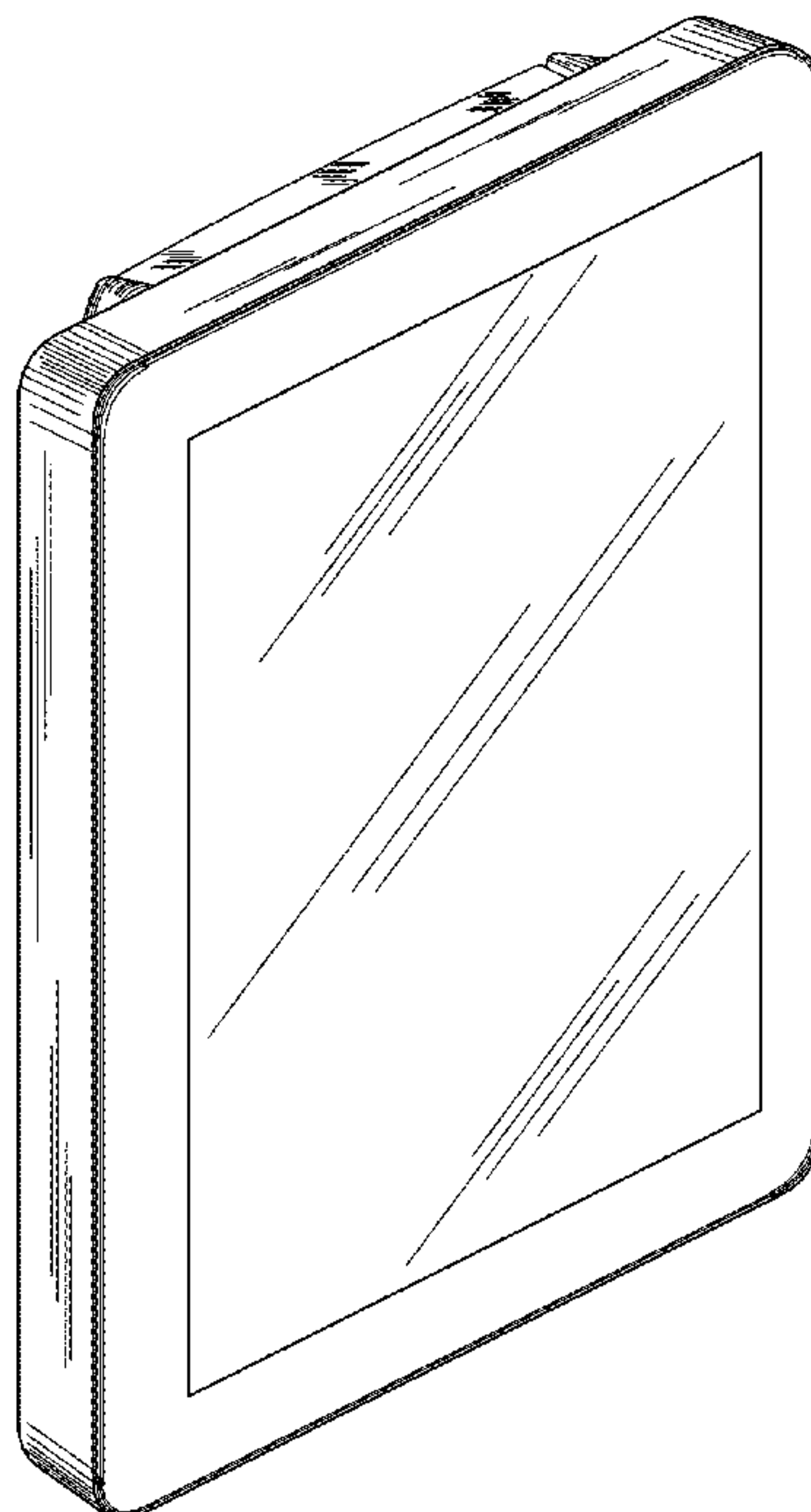


FIG. 1

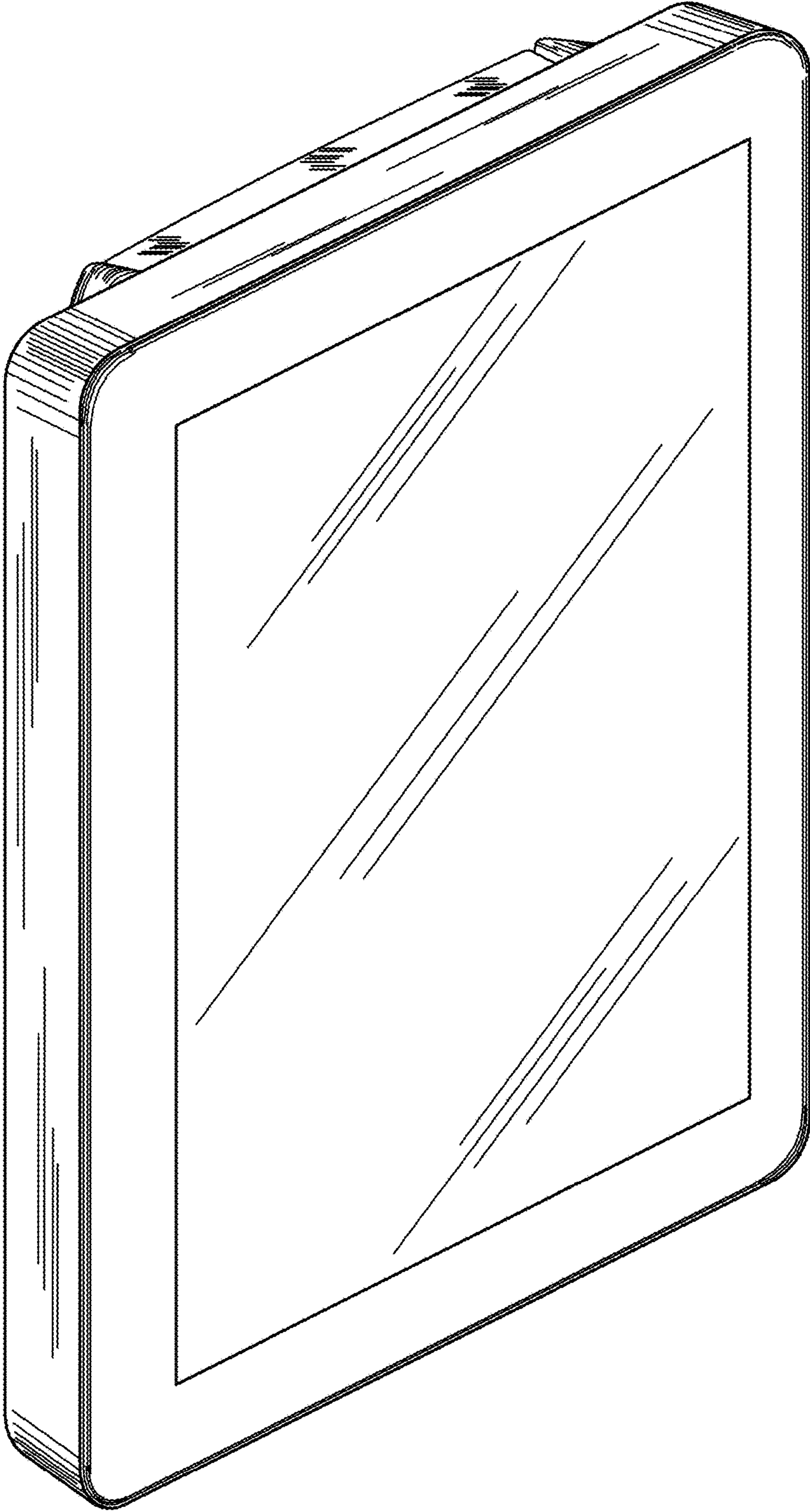


FIG. 2

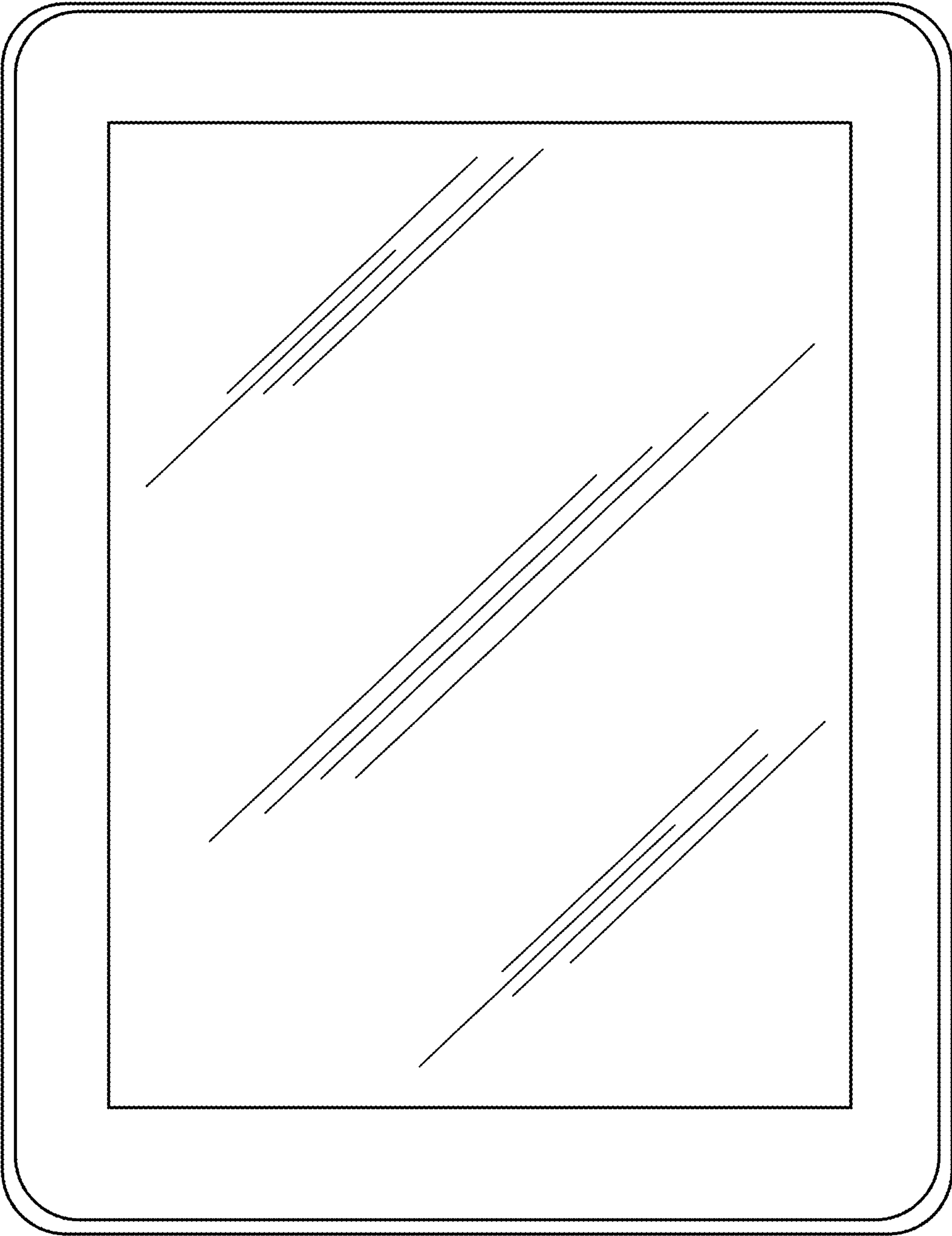


FIG. 3

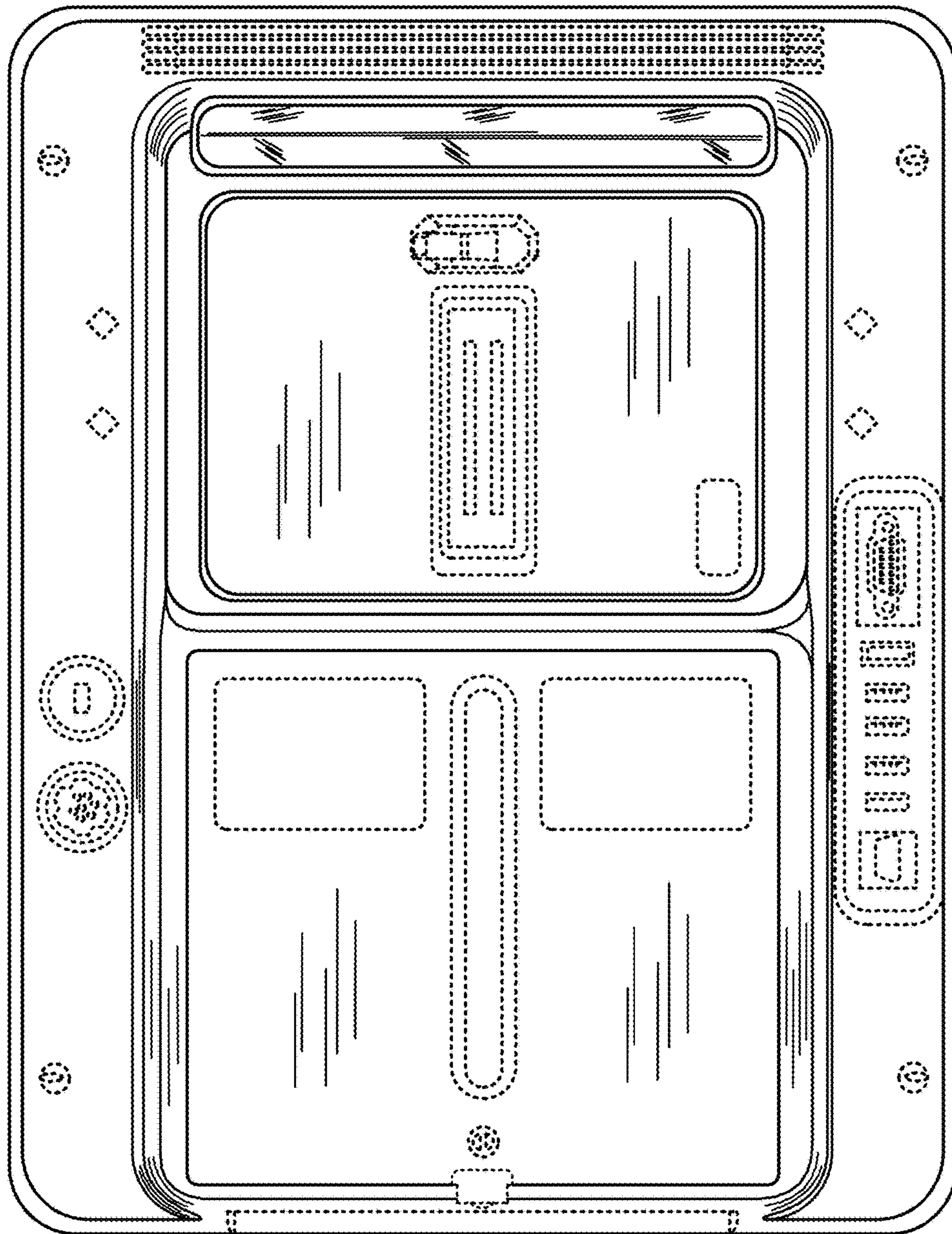


FIG. 4

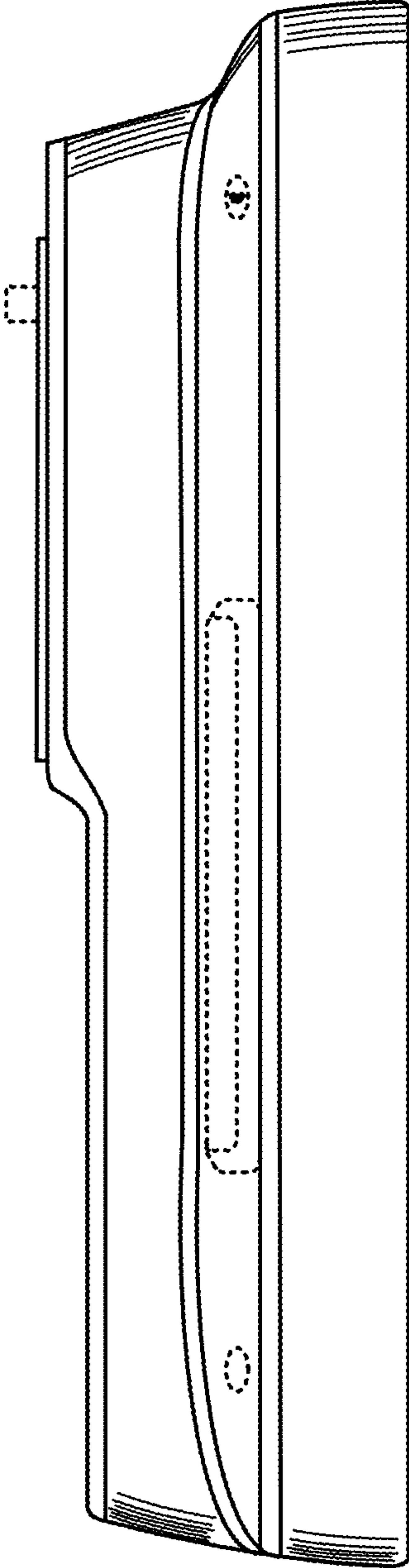


FIG. 5

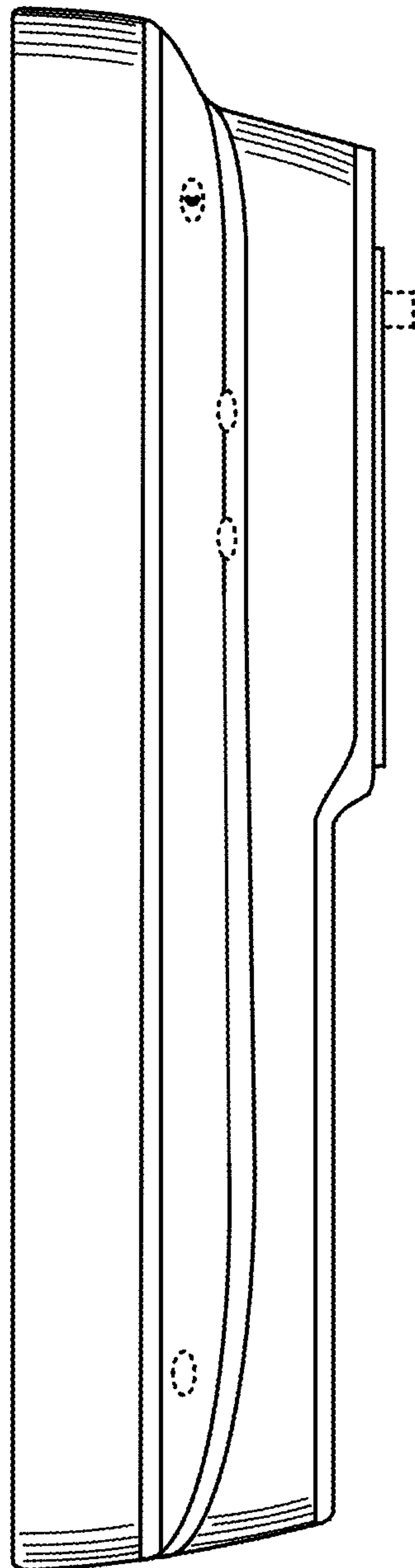
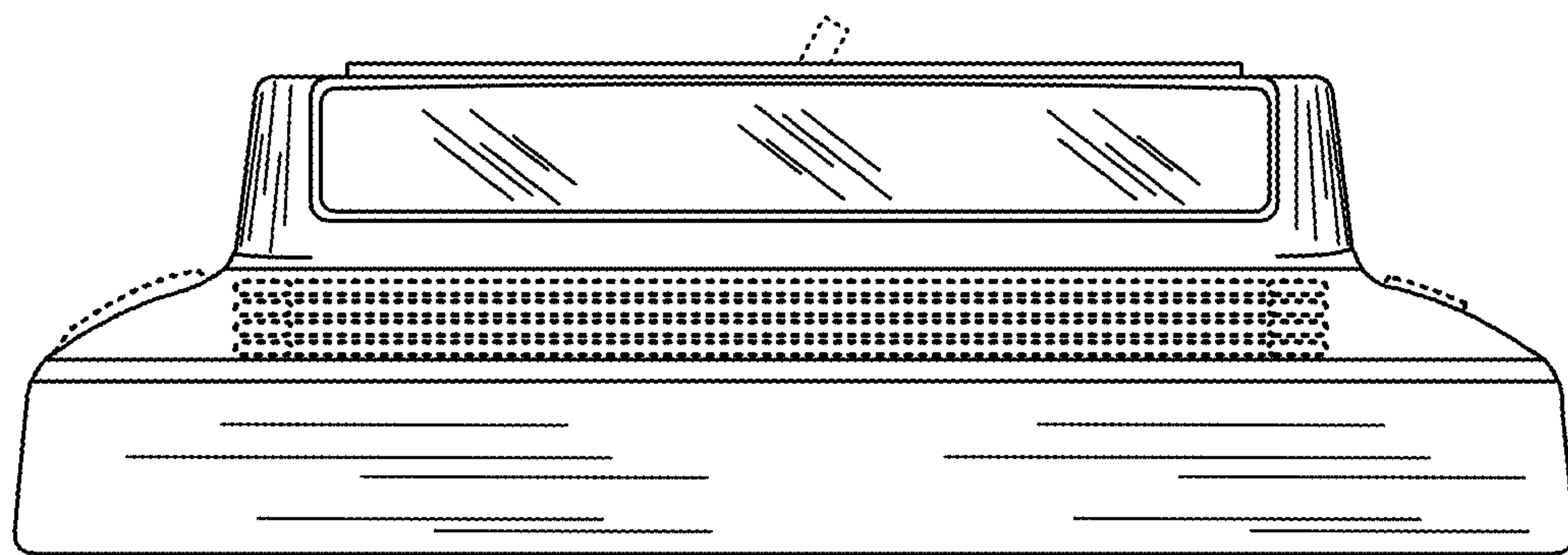


FIG. 6



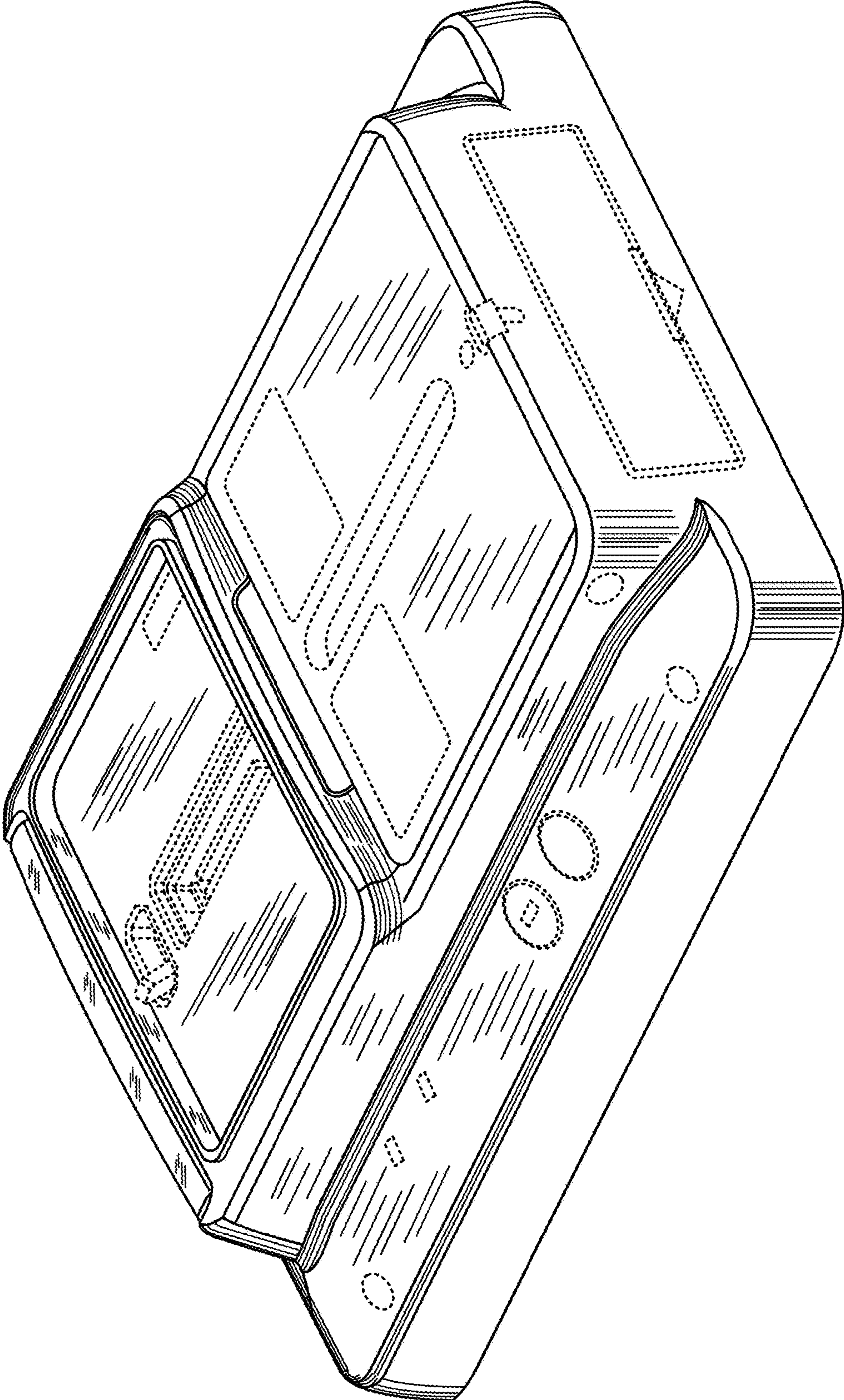


FIG. 7

FIG. 8

