



US00D809140S

(12) **United States Design Patent**  
**Sasayama et al.**

(10) **Patent No.:** **US D809,140 S**  
(45) **Date of Patent:** **\*\* Jan. 30, 2018**

(54) **CELL COLLECTION DEVICE**

FOREIGN PATENT DOCUMENTS

(71) Applicant: **NIPRO CORPORATION**, Osaka-shi,  
Osaka (JP)

JP 901835 S 6/1994  
JP 1060185 S 2/2000

(Continued)

(72) Inventors: **Norihisa Sasayama**, Osaka (JP); **Yui Hagiwara**, Osaka (JP); **Tomoe Morita**, Osaka (JP)

*Primary Examiner* — Lakiya Rogers  
*Assistant Examiner* — Carissa C Fitts

(74) *Attorney, Agent, or Firm* — Brinks Gilson & Lione

(73) Assignee: **NIPRO CORPORATION**, Osaka (JP)

(57) **CLAIM**

We claim the ornamental design for a cell collection device, as shown and described.

(\*\*) Term: **15 Years**

**DESCRIPTION**

(21) Appl. No.: **29/530,821**

FIG. 1 is a front and top perspective view of a cell collection device of the present invention;

(22) Filed: **Jun. 19, 2015**

FIG. 2 is a top view thereof, the bottom view being a mirror image thereof;

(51) **LOC (11) Cl.** ..... **24-02**

FIG. 3 is a front view thereof;

(52) **U.S. Cl.**  
USPC ..... **D24/147**

FIG. 4 is a first side view thereof, the second side view being a mirror image thereof;

(58) **Field of Classification Search**

USPC ..... D24/146, 147, 133, 216, 223; 600/564;  
606/167, 170, 142, 184, 205-208;  
604/1-3; D4/127, 128

FIG. 5 is a rear view thereof;

CPC ..... A61B 2017/320004; A61B 2017/320008;  
A61B 17/320016

FIG. 6 is a cross-sectional view taken along the line 6-6 of FIG. 3;

See application file for complete search history.

FIG. 7 is a cross-sectional view taken along the line 7-7 of FIG. 4;

(56) **References Cited**

U.S. PATENT DOCUMENTS

2,767,703 A \* 10/1956 Nieburgs ..... A61B 10/04  
600/562  
D317,361 S \* 6/1991 Stormby ..... D24/141  
5,092,345 A \* 3/1992 Sakita ..... A61B 10/04  
600/570  
D428,991 S \* 8/2000 Fourie ..... D24/146  
6,258,044 B1 \* 7/2001 Lonky ..... A46B 3/18  
600/562  
D537,254 S \* 2/2007 Miles ..... D4/128

FIG. 8 is a cross-sectional view taken along the line 8-8 of FIG. 4;

FIG. 9 is a cross-sectional view taken along the line 9-9 of FIG. 4;

FIG. 10 is a cross-sectional view taken along the line 10-10 of FIG. 4;

FIG. 11 is a cross-sectional view taken along the line 11-11 of FIG. 4;

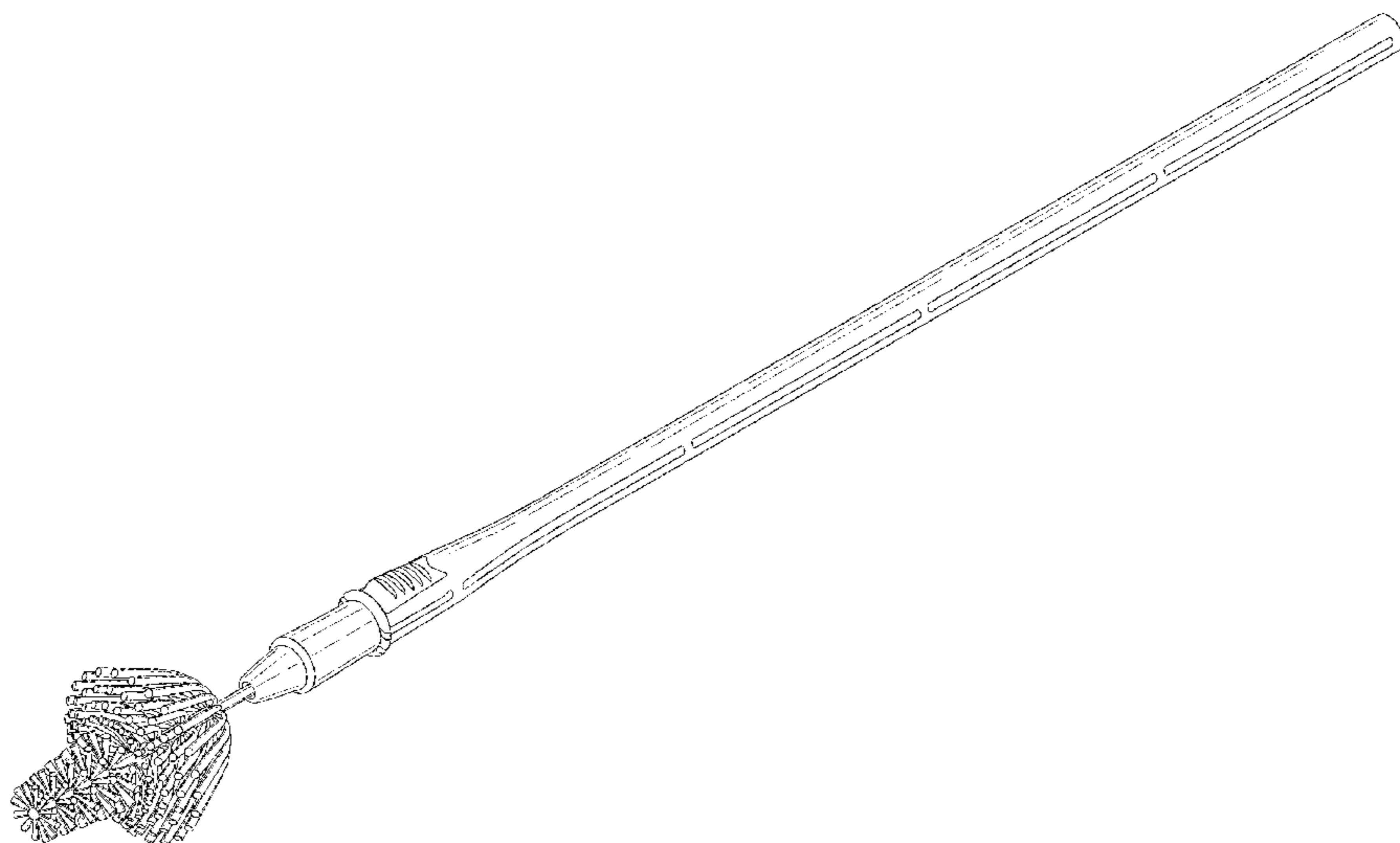
FIG. 12 is an enlarged front and top perspective view of the forward portion thereof;

FIG. 13 is an enlarged top view of the forward portion thereof;

FIG. 14 is an enlarged front view thereof; and,

FIG. 15 is an enlarged rear view thereof.

**1 Claim, 6 Drawing Sheets**



(56)

**References Cited**

U.S. PATENT DOCUMENTS

7,211,061	B1 *	5/2007	Maxwell	.....	A61M 31/00 604/1
D561,333	S *	2/2008	Zwart	.....	D24/119
7,540,844	B2 *	6/2009	Muser	.....	B01L 3/18 600/570
D639,564	S *	6/2011	Kulik	.....	D4/128
D640,794	S *	6/2011	Sunstrum	.....	D24/216
D656,609	S *	3/2012	Perez	.....	D24/119
8,241,236	B2 *	8/2012	Yardley	.....	A61B 17/24 424/434
D692,134	S *	10/2013	Lee-Sepsick	.....	D24/146
D708,442	S *	7/2014	Rutigliano	.....	D4/128
D714,065	S *	9/2014	Chitayat	.....	D4/128
D731,056	S *	6/2015	Tsai	.....	D24/146
D745,968	S *	12/2015	Booth	.....	D24/152
D750,382	S *	3/2016	Jacob	.....	D4/128
2004/0116827	A1 *	6/2004	Tiberio	.....	A61B 10/0045 600/569
2007/0073186	A1 *	3/2007	Decker	.....	A61B 10/0045 600/569
2009/0065018	A1 *	3/2009	Berhault	.....	A45D 40/262 132/218

FOREIGN PATENT DOCUMENTS

JP	1060185-1	S	5/2000
JP	1107595	S	5/2001
JP	1188333	S	10/2003
JP	1188334	S	10/2003
JP	1319744	S	1/2008
JP	1441426	S	5/2012

\* cited by examiner

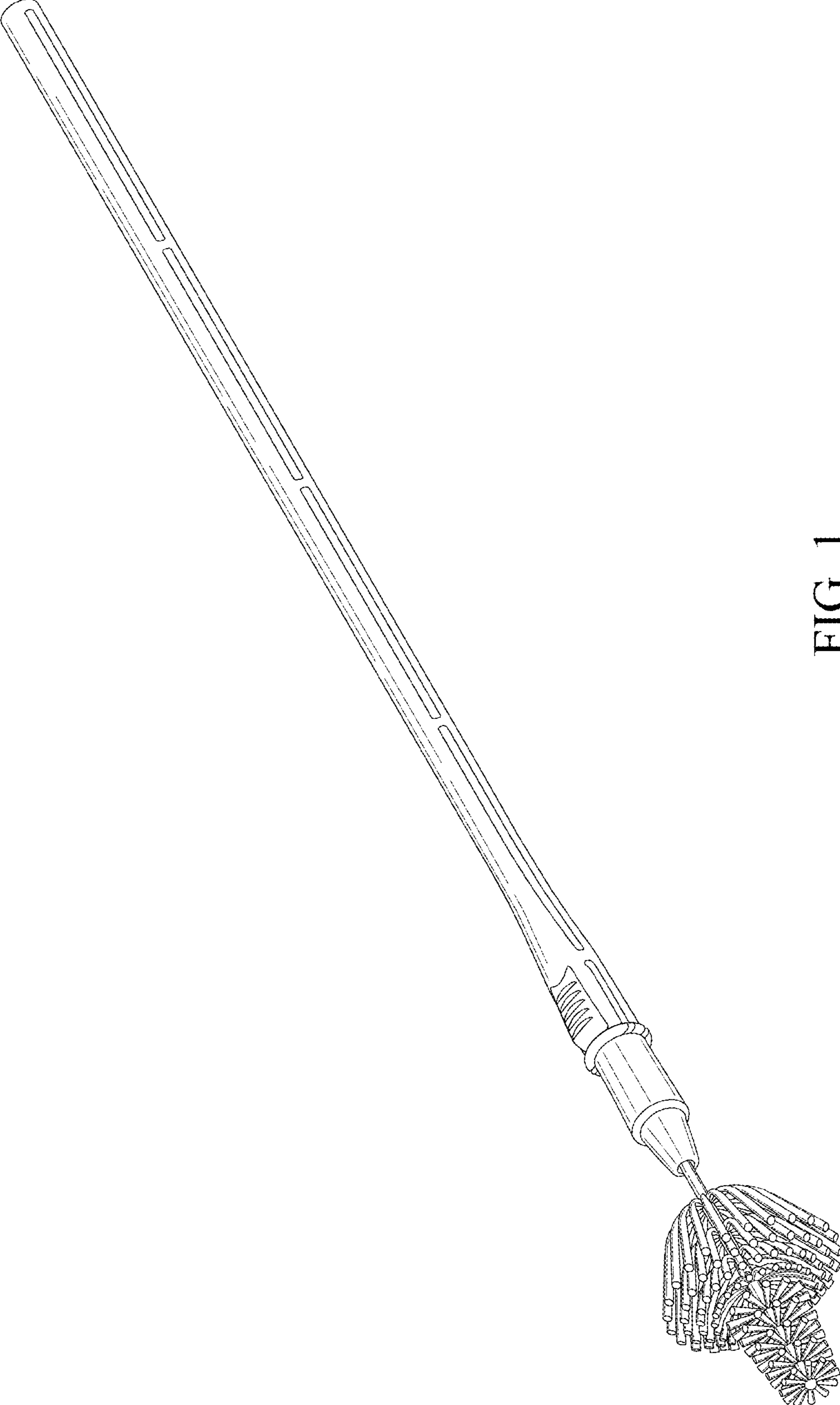


FIG. 1

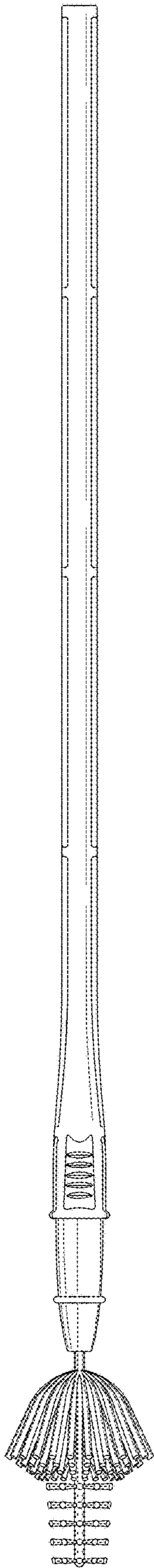


FIG. 2

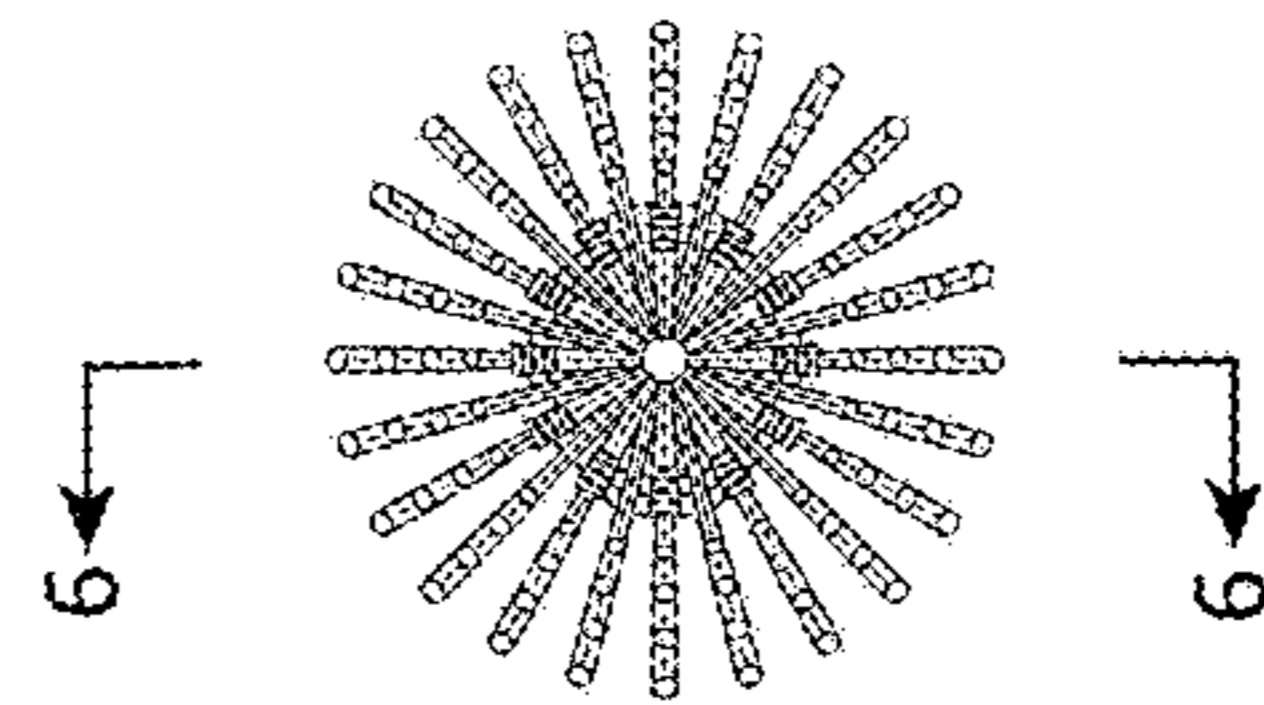


FIG. 3

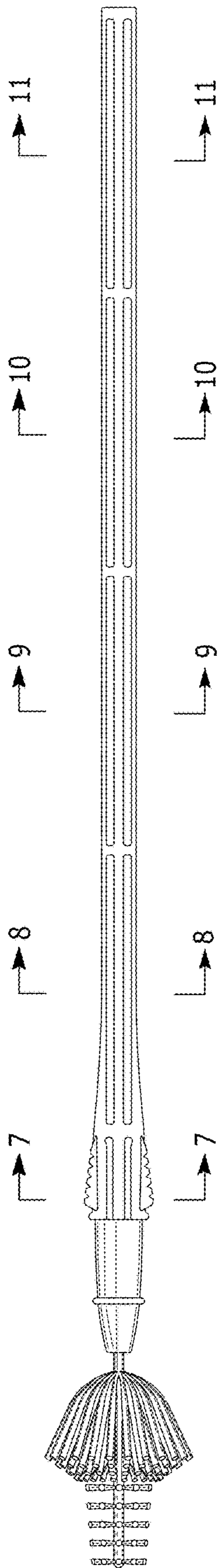


FIG. 4

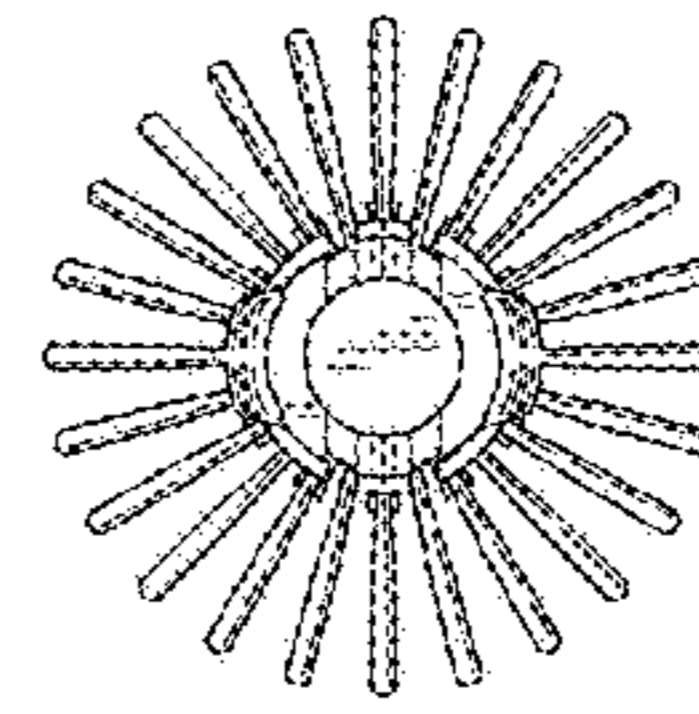


FIG. 5

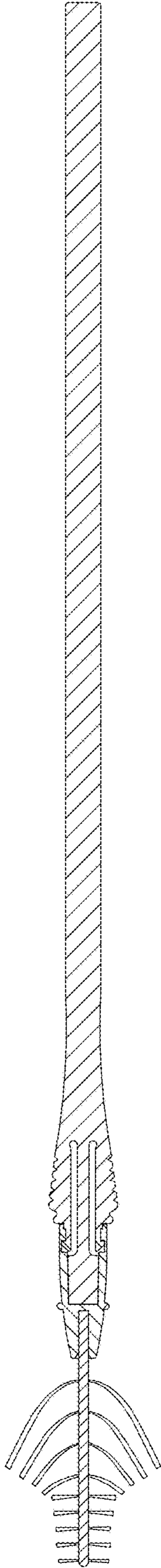


FIG. 6

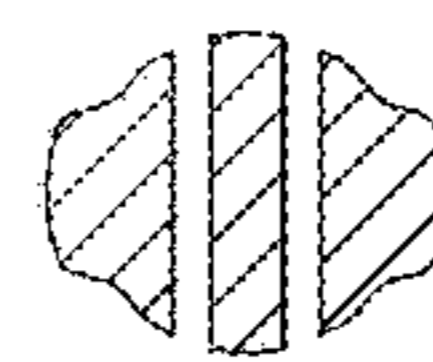


FIG. 7



FIG. 8



FIG. 9

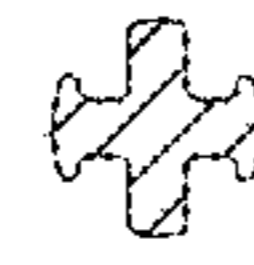


FIG. 10



FIG. 11

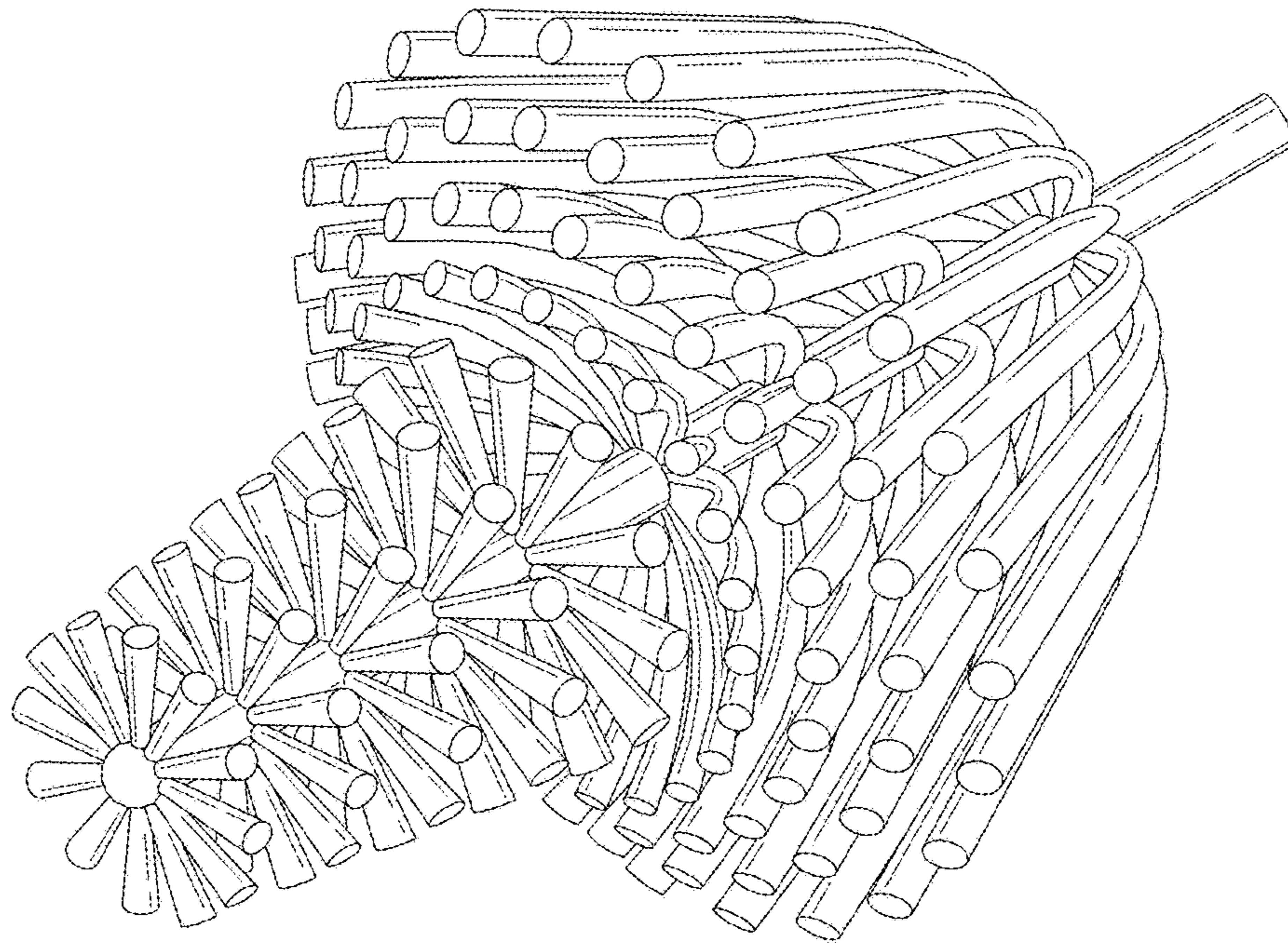


FIG. 12

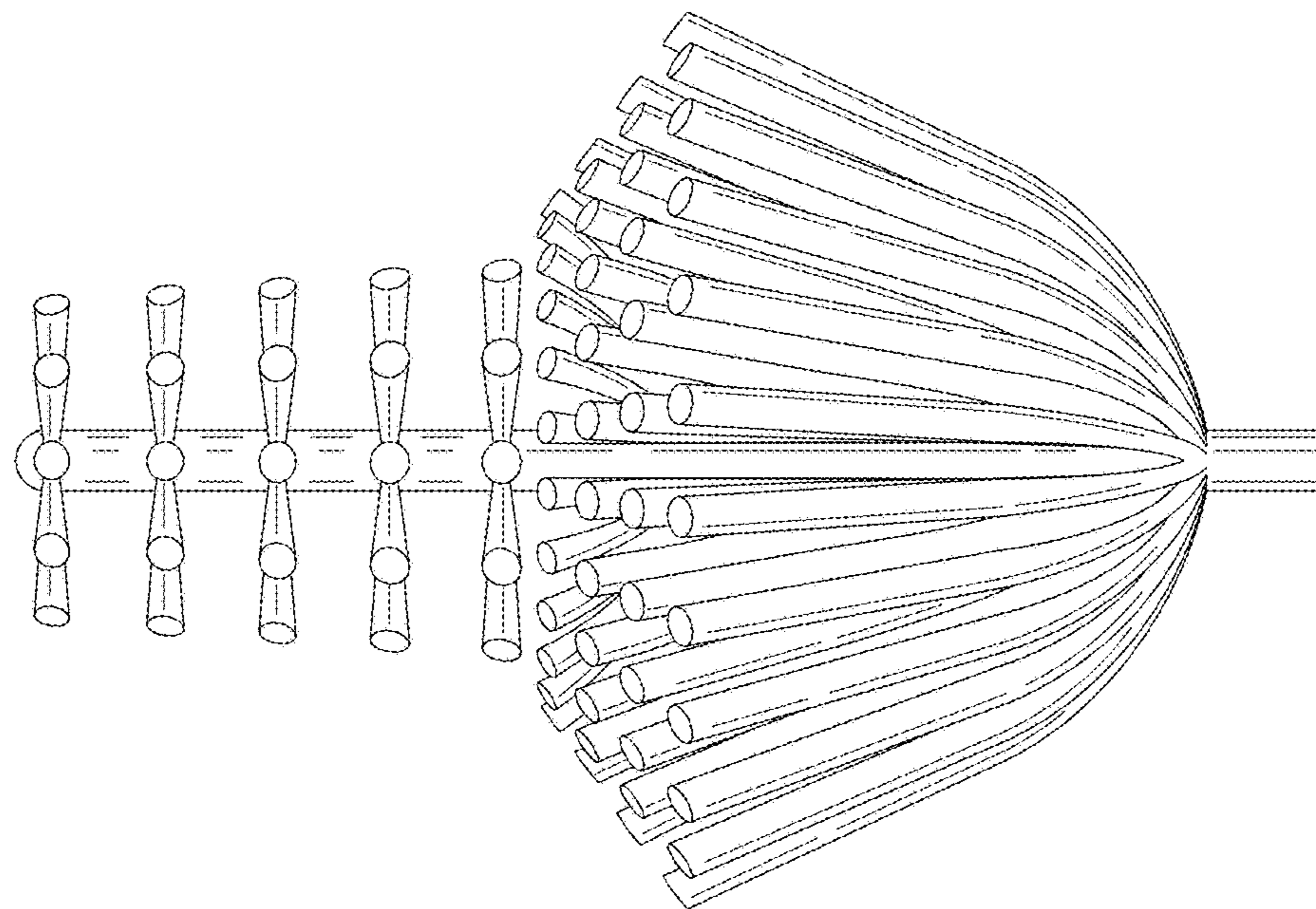


FIG. 13

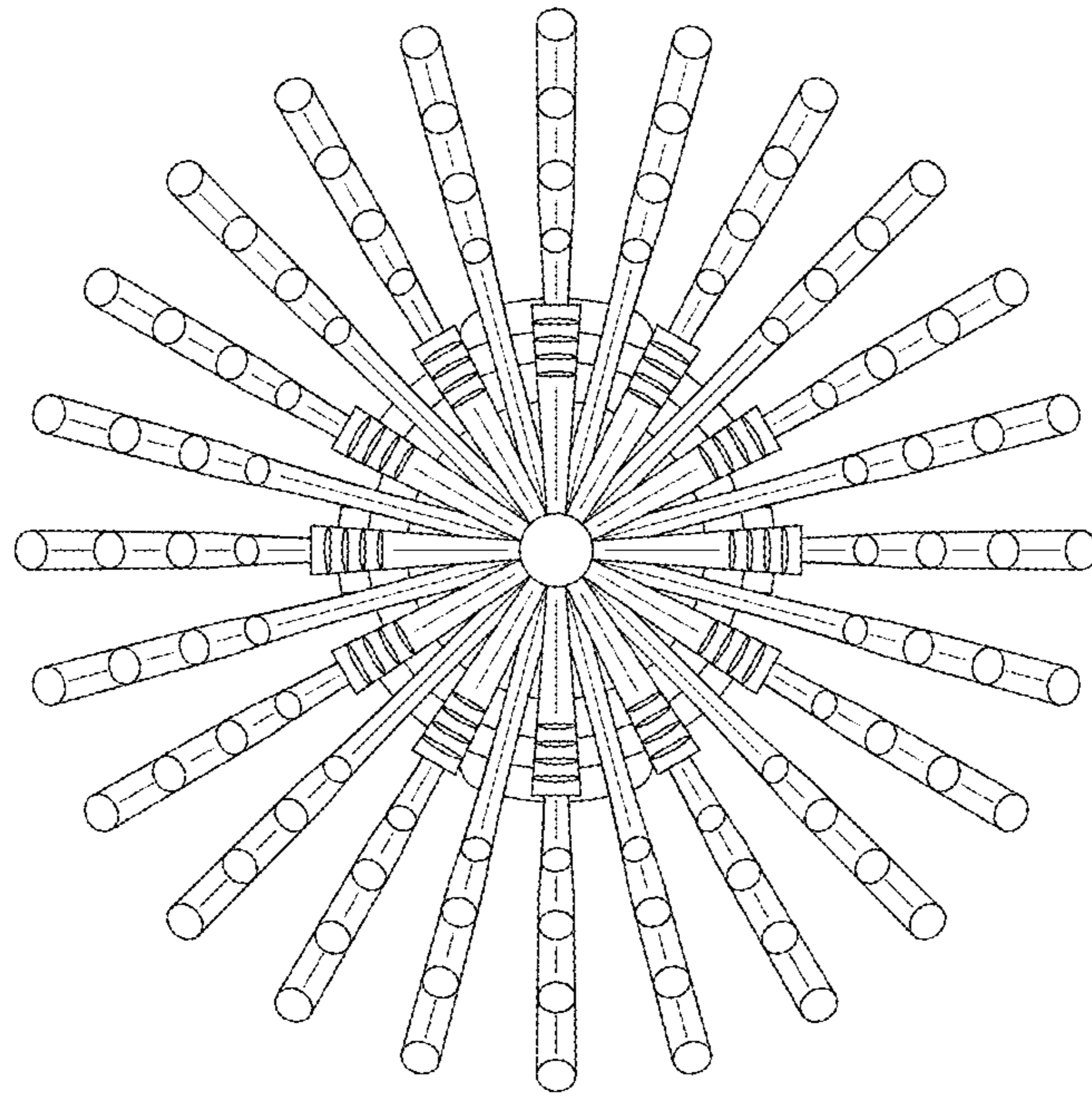


FIG. 14

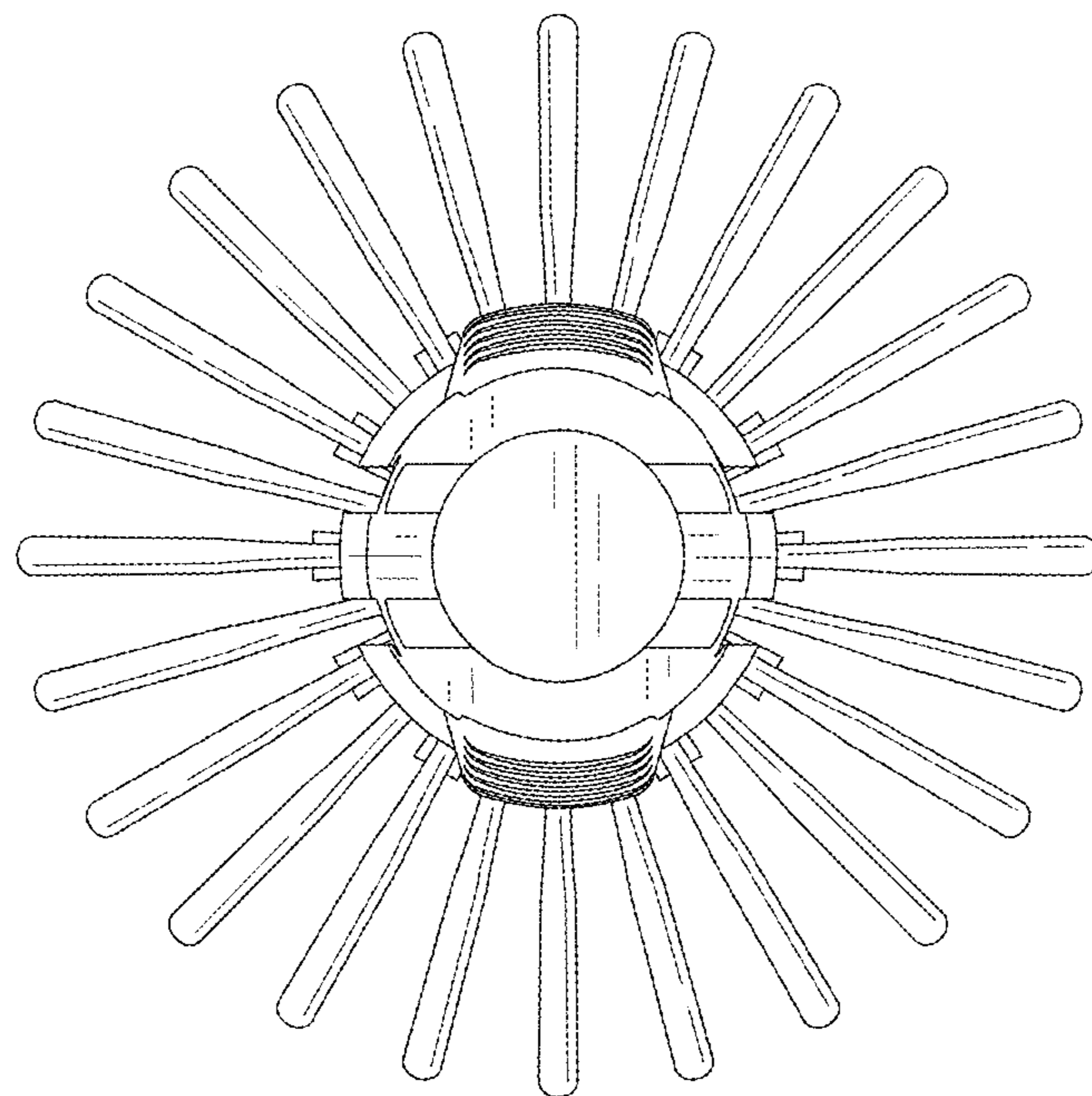


FIG. 15