



US00D809138S

(12) **United States Design Patent**
Khan et al.

(10) **Patent No.:** **US D809,138 S**
(45) **Date of Patent:** **** Jan. 30, 2018**

(54) **HANDLE FOR SURGICAL AND DENTAL TOOL**

D663,836 S * 7/2012 Ruiz, Sr. D24/133
D669,981 S * 10/2012 Ruiz, Sr. D24/133
D744,097 S * 11/2015 Baratz D24/133

(71) Applicants: **Masood Khan**, Churchville, PA (US);
William A. McHale, Collegeville, PA (US)

(72) Inventors: **Masood Khan**, Churchville, PA (US);
William A. McHale, Collegeville, PA (US)

(73) Assignee: **Premier Dental Products Company**,
Plymouth Meeting, PA (US)

(**) Term: **15 Years**

(21) Appl. No.: **29/529,102**

(22) Filed: **Jun. 3, 2015**

(51) **LOC (11) Cl.** **24-02**

(52) **U.S. Cl.**
USPC **D24/133**

(58) **Field of Classification Search**
USPC D24/108, 112, 117, 118, 133, 135, 137,
D24/138, 222, 141, 111, 113, 127, 143,
D24/144, 148, 179, 216, 152, 153, 154,
D24/176, 170; D8/30
CPC A61C 19/00; A61C 1/185; A61C 3/00;
A61C 3/08

See application file for complete search history.

(56) **References Cited**

U.S. PATENT DOCUMENTS

D384,743 S * 10/1997 Chia D24/133
D393,715 S * 4/1998 Strickland D24/133
D407,488 S * 3/1999 Injev D24/133
D641,469 S * 7/2011 Ruiz, Sr. D24/133

OTHER PUBLICATIONS

Dental Products Catalog, People friendly and environment friendly. The GC of the 21st Century takes a global approach to people's health and happiness. 2008-2009. (2 pages).
Stoma. The daily product requirement in compact format. Dec. 12, 1926. (3 pages).

* cited by examiner

Primary Examiner — Robert M Spear

Assistant Examiner — Eliza Bennett-Hattan

(74) *Attorney, Agent, or Firm* — Cozen O'Connor

(57) **CLAIM**

The ornamental design for a handle for surgical and dental tool, as shown and described.

DESCRIPTION

FIG. 1 is a perspective view of a two-sided handle for surgical and dental tools, depicted with a tool at each end, shown in broken lines to indicate the tools form no part of the claimed design.

FIG. 2 is a perspective view of FIG. 1 with the instruments removed;

FIG. 3 is a front view of the handle of FIG. 1 (rear view mirrored);

FIG. 4 is an enlarged portion of a region of FIG. 3;

FIG. 5 is a top view of the handle of FIG. 1;

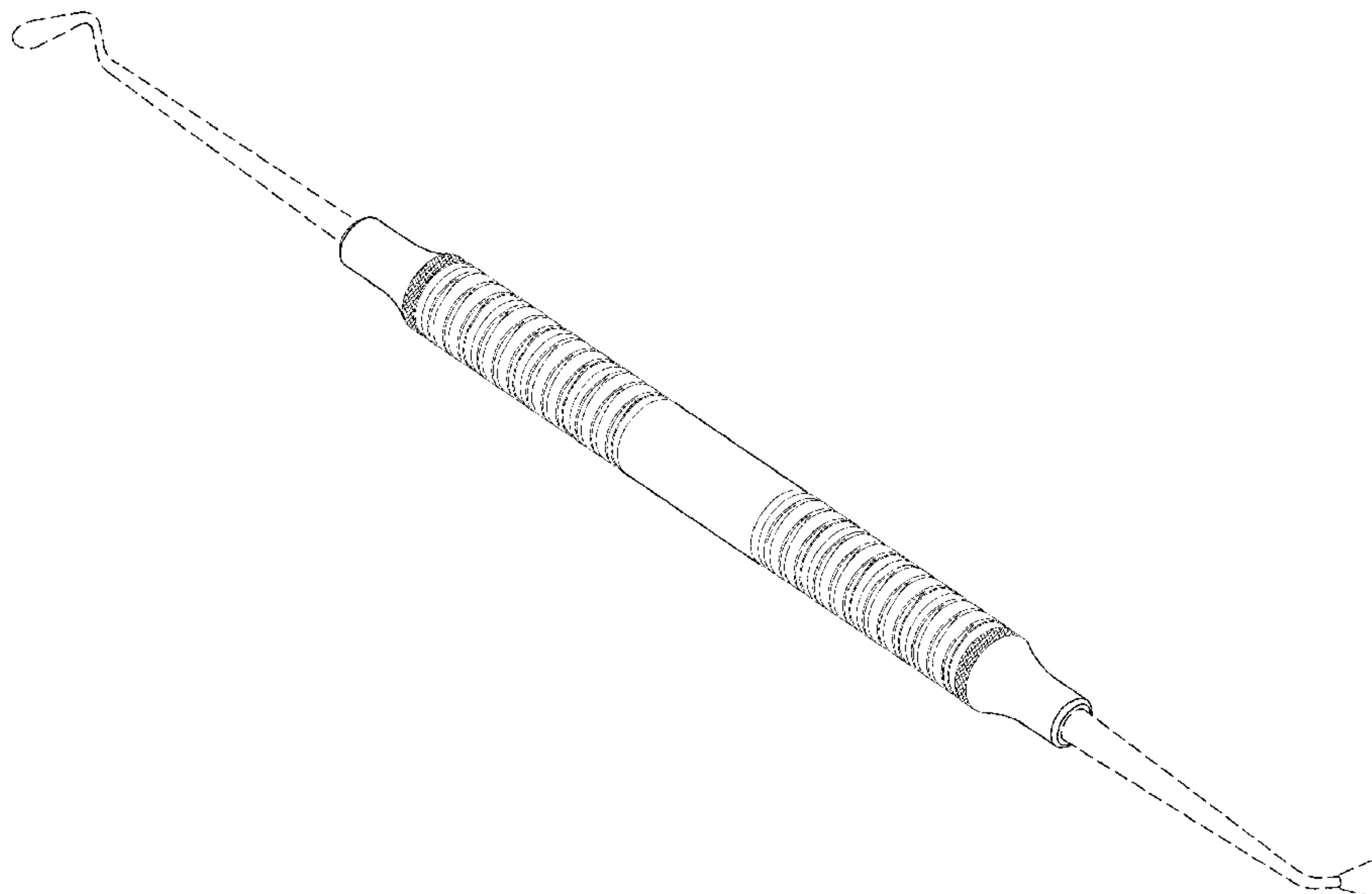
FIG. 6 is an enlarged portion of a region of FIG. 5;

FIG. 7 is a left side end view of the handle of FIG. 1 (right side end view the same);

FIG. 8 is a bottom view of the handle of FIG. 1; and,

FIG. 9 is an enlarged portion of a region of FIG. 8.

1 Claim, 5 Drawing Sheets



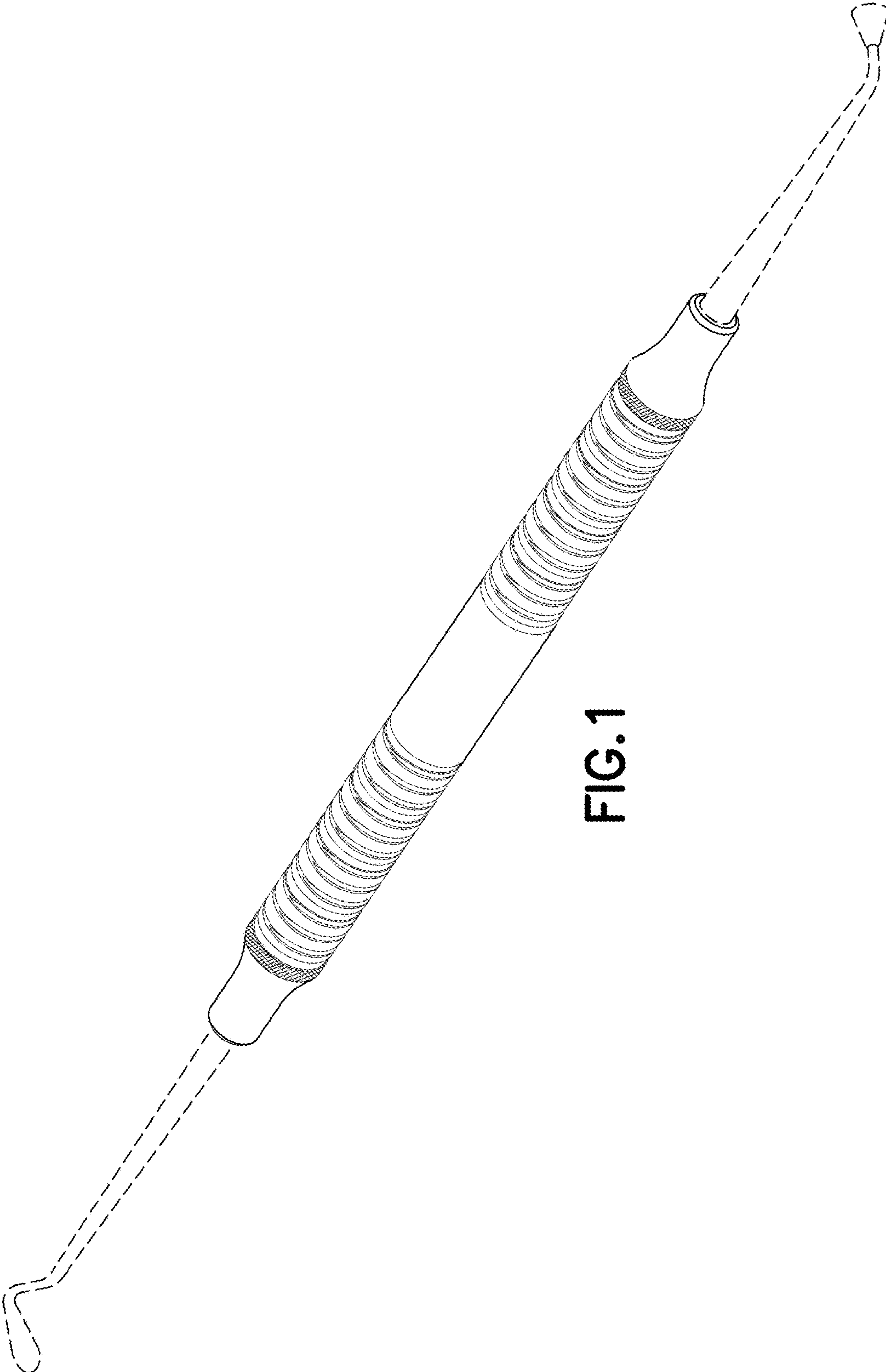


FIG.1

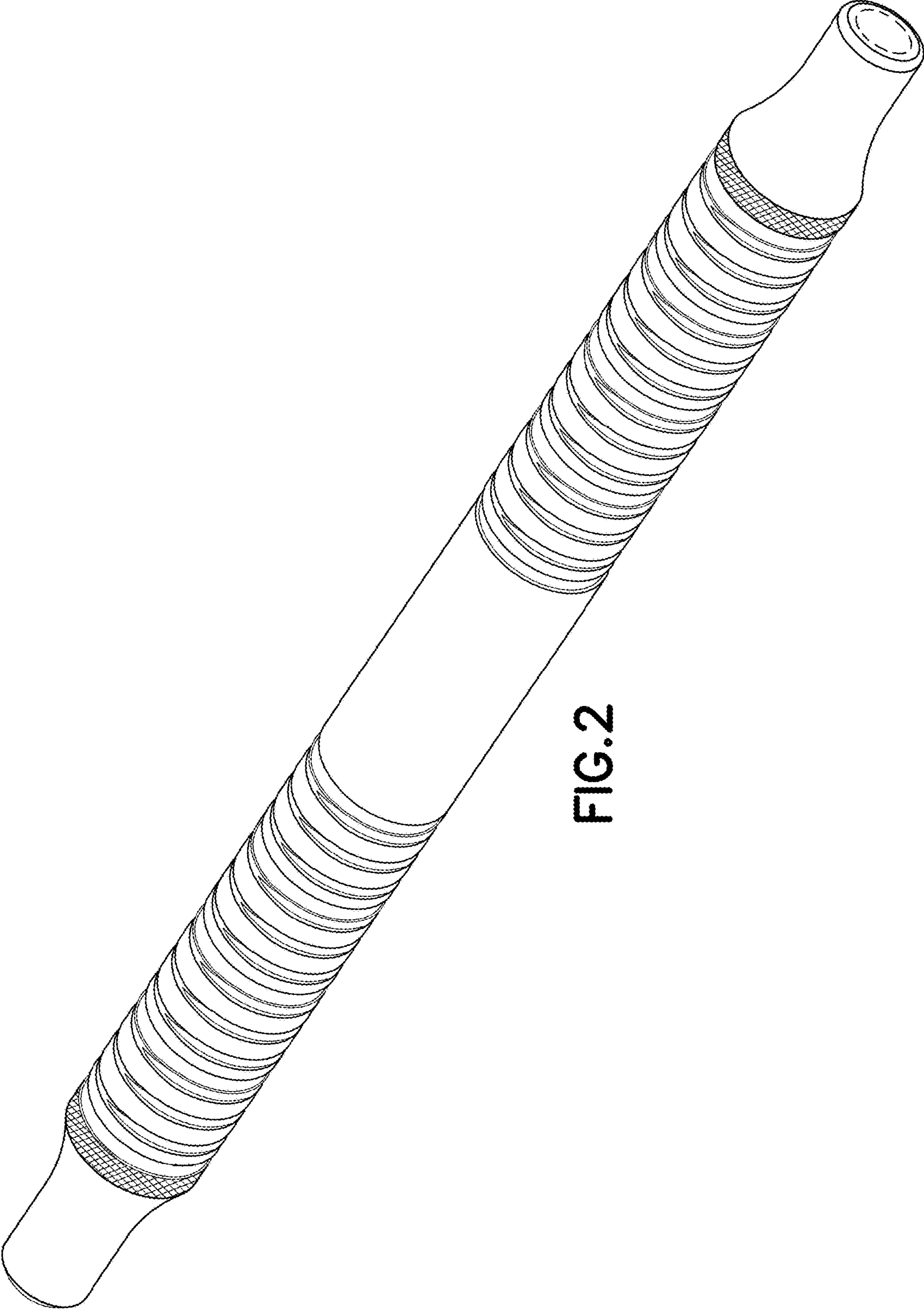


FIG. 2

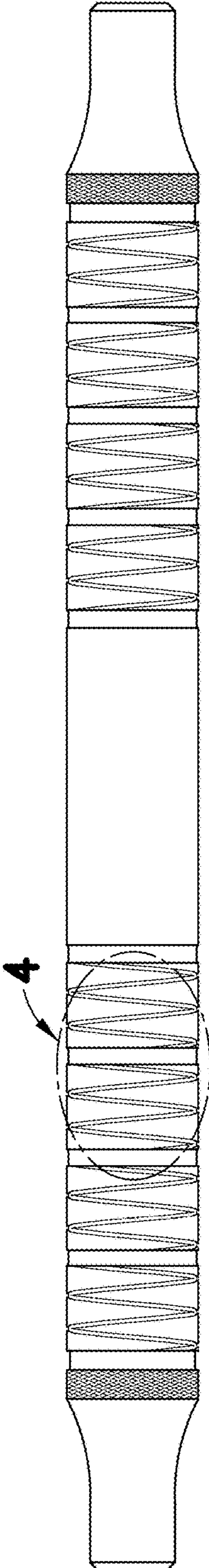


FIG. 3

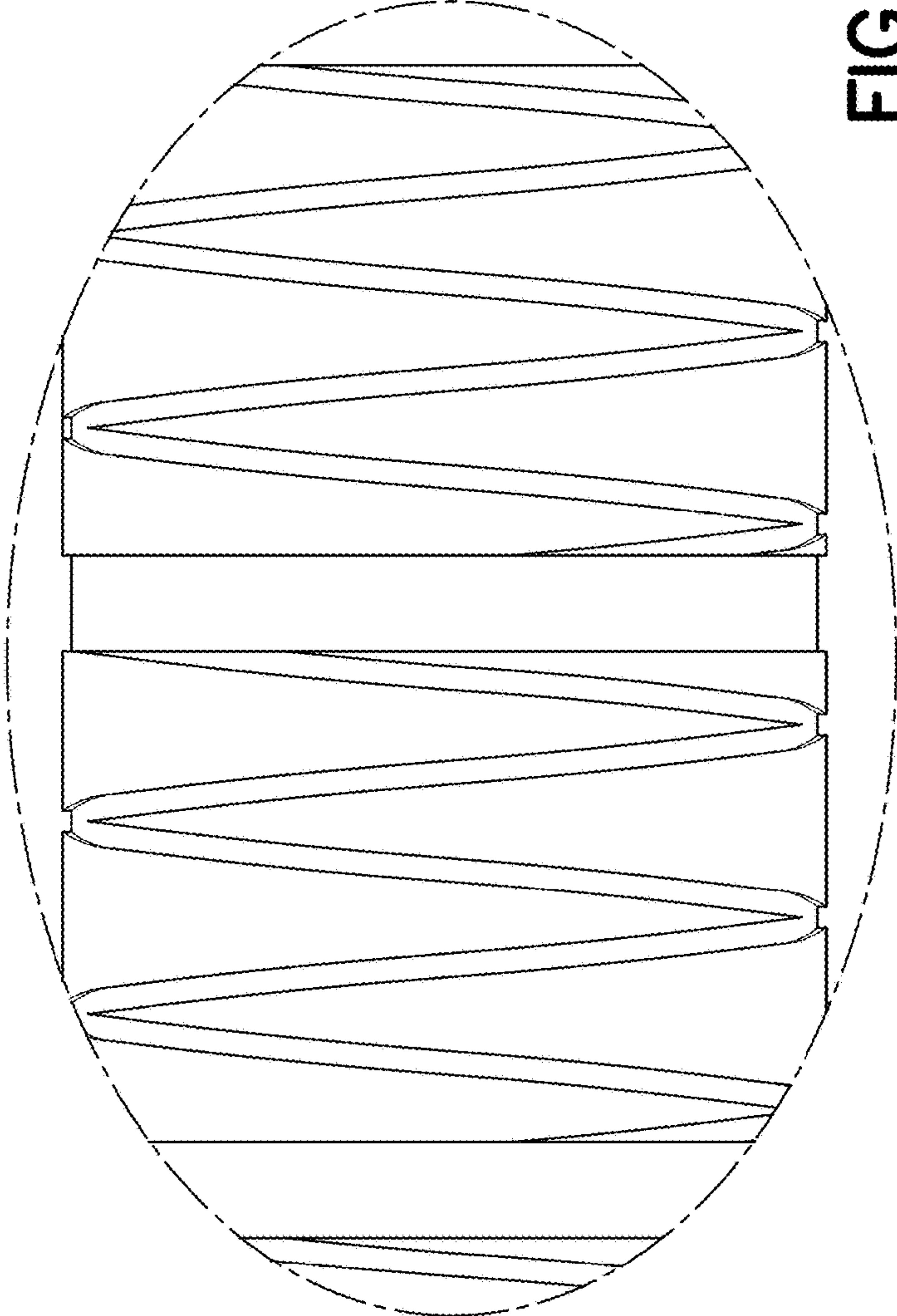


FIG. 4

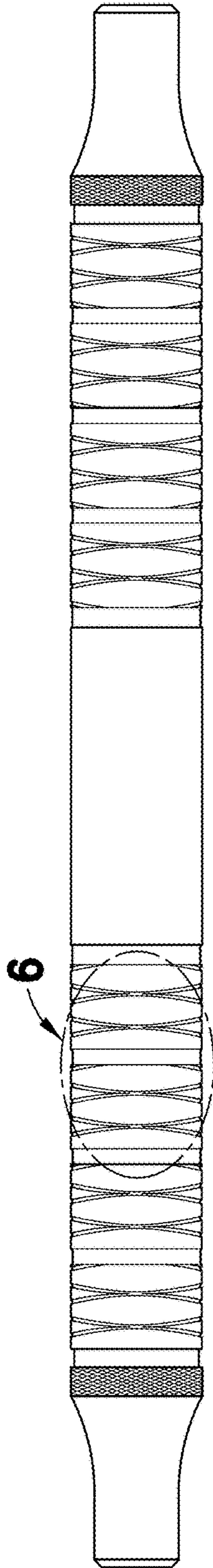


FIG. 5

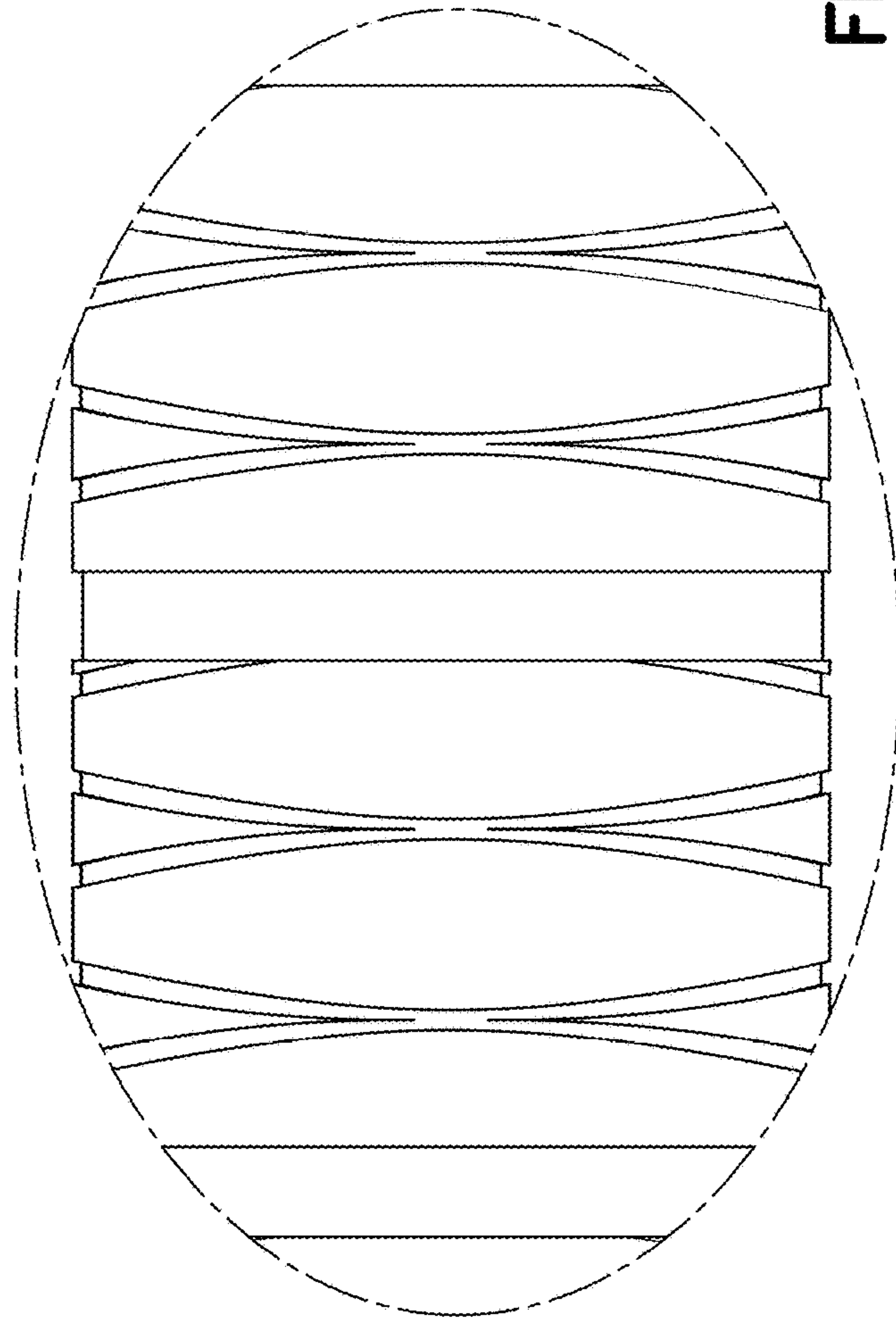


FIG. 6

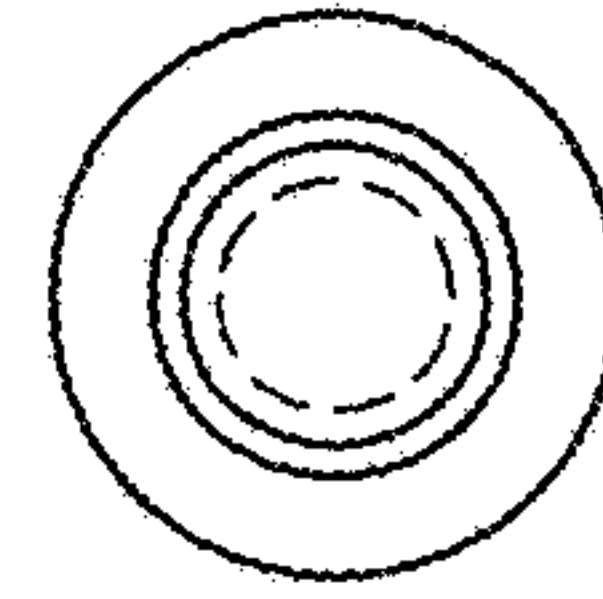


FIG. 7

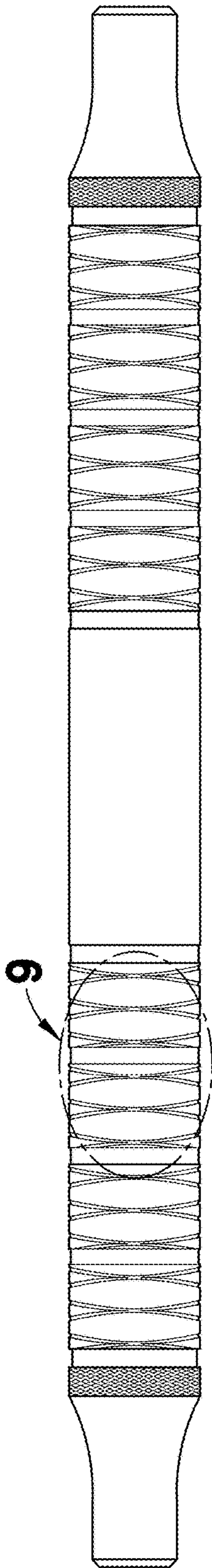


FIG. 8

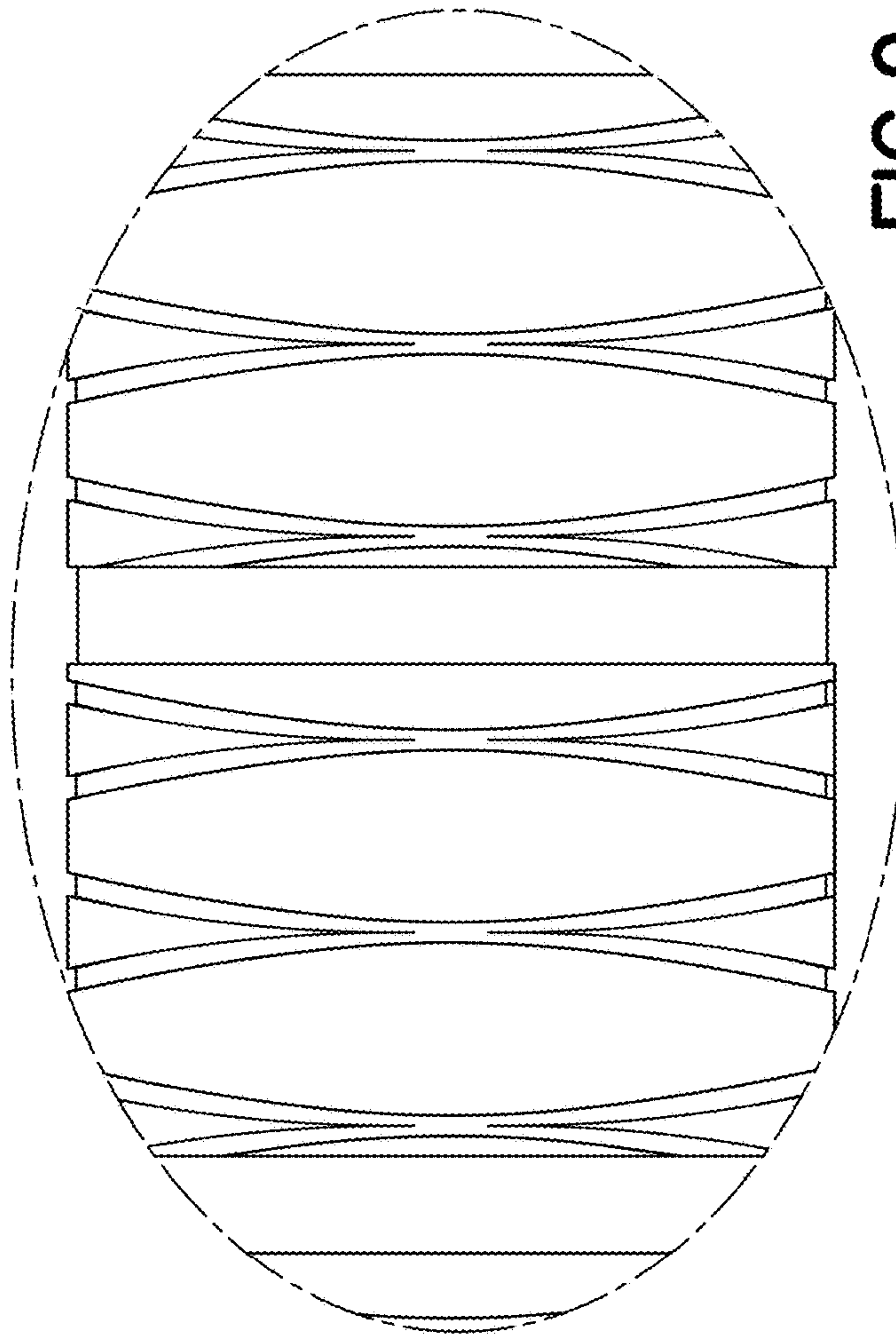


FIG. 9