



US00D809137S

(12) **United States Design Patent**
Ratjen

(10) **Patent No.:** **US D809,137 S**
(45) **Date of Patent:** **** Jan. 30, 2018**

(54) **COMPONENT OF INJECTION DEVICE**

(71) Applicant: **SANOFI-AVENTIS DEUTSCHLAND GMBH**, Frankfurt am Main (DE)

(72) Inventor: **Jochen Ratjen**, Nacka (SE)

(73) Assignee: **SANOFI-AVENTIS DEUTSCHLAND GMBH**, Frankfurt am Main (DE)

(**) Term: **15 Years**

(21) Appl. No.: **29/583,214**

(22) Filed: **Nov. 3, 2016**

Related U.S. Application Data

(62) Division of application No. 29/494,077, filed on Jun. 17, 2014, now Pat. No. Des. 788,909.

(30) **Foreign Application Priority Data**

Dec. 17, 2013 (EM) 002 371 781

(51) **LOC (11) Cl.** **24-02**

(52) **U.S. Cl.**
USPC **D24/130**

(58) **Field of Classification Search**

USPC D24/112-114, 108, 133, 130, 127, 186;
606/181, 185; 604/264, 272, 187, 181,
604/184, 227; D19/163, 165
CPC A61M 5/178; A61M 3/00; A61M 5/20;
A61M 5/31

See application file for complete search history.

(56) **References Cited**

U.S. PATENT DOCUMENTS

D450,835 S 11/2001 Liu
D457,955 S 5/2002 Bilitz
D598,543 S 8/2009 Vogel

7,658,725 B2 * 2/2010 Bialecki A61M 25/0606
604/164.08
D612,052 S 3/2010 McCollam
D622,852 S * 8/2010 Berberich D24/147
D634,426 S 3/2011 Zollers
D653,335 S * 1/2012 Kampa D24/130
D676,131 S 2/2013 Pala
D677,380 S 3/2013 Julian
8,500,789 B2 * 8/2013 Wuebbeling A61F 2/95
606/108
D698,921 S * 2/2014 Koennecke D24/138
D733,289 S 6/2015 Blanchard
D733,869 S 7/2015 Ratjen
D736,923 S * 8/2015 Snow D24/146
D739,932 S 9/2015 Ratjen
D746,443 S 12/2015 Chen
9,198,788 B2 * 12/2015 Murray A61F 2/95
9,392,998 B2 * 7/2016 Snow A61B 10/0266
D774,641 S * 12/2016 Miggels D24/113

(Continued)

Primary Examiner — David G Muller

(74) *Attorney, Agent, or Firm* — Scully Scott Murphy and Presser

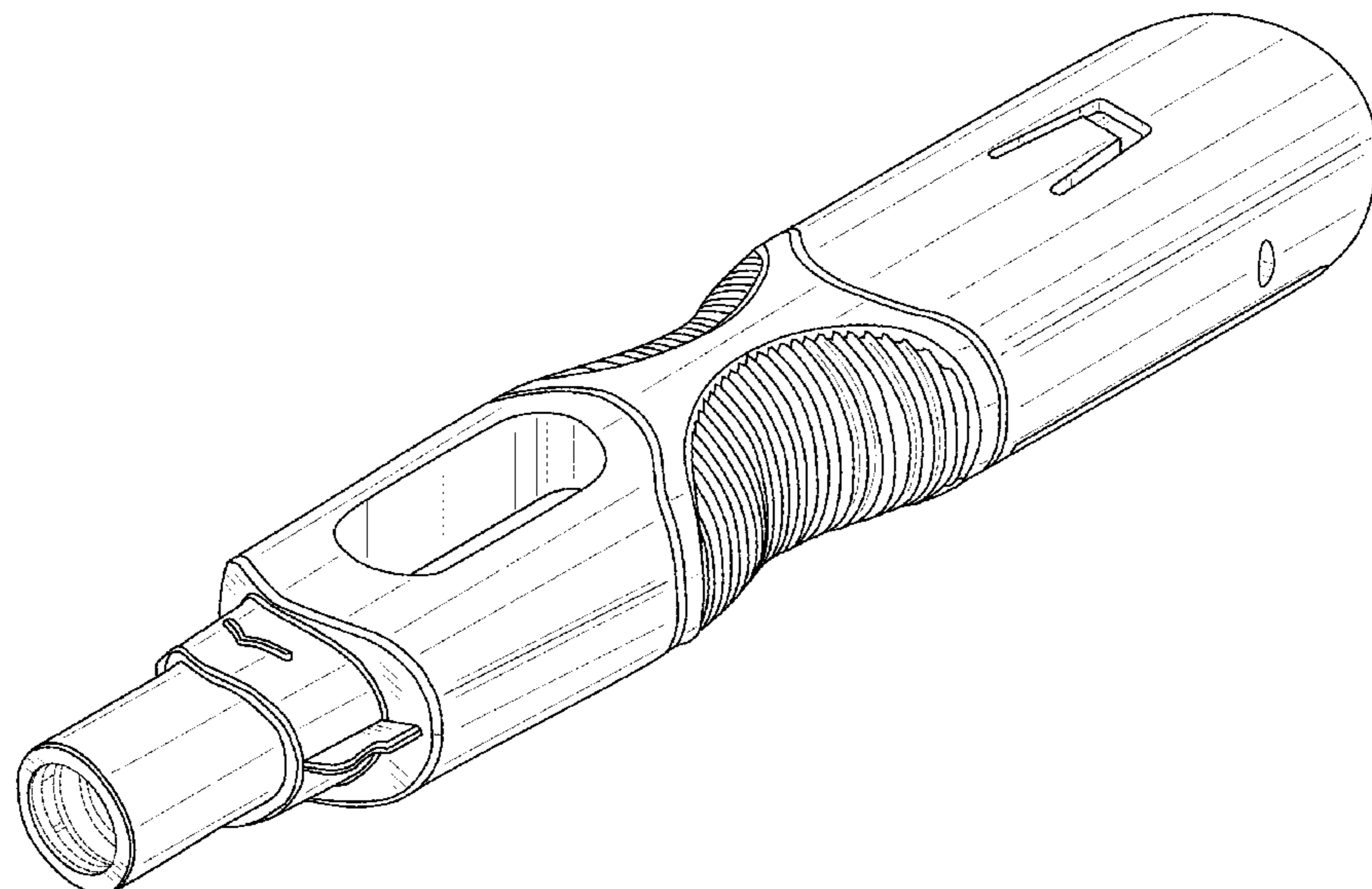
(57) **CLAIM**

The ornamental design for a component of injection device, as shown and described.

DESCRIPTION

FIG. 1 is a perspective view of a component of injection device, showing my new design;
FIG. 2 is a front elevation view thereof;
FIG. 3 is a rear elevation view thereof;
FIG. 4 is a side elevation view thereof;
FIG. 5 is an opposite side elevation view thereof;
FIG. 6 is a top plan view thereof; and,
FIG. 7 is a bottom plan view thereof.
The broken lines in the figures consisting of evenly-sized dashes depict portions of the component of injection device that form no part of the claim.

1 Claim, 4 Drawing Sheets



(56)

References Cited

U.S. PATENT DOCUMENTS

2004/0162553 A1* 8/2004 Peng A61B 18/1402
606/42
2005/0060016 A1* 3/2005 Wu A61F 2/95
623/1.11
2006/0052774 A1* 3/2006 Garrison A61B 17/22012
606/42
2007/0191777 A1* 8/2007 King A61M 5/158
604/164.08

* cited by examiner

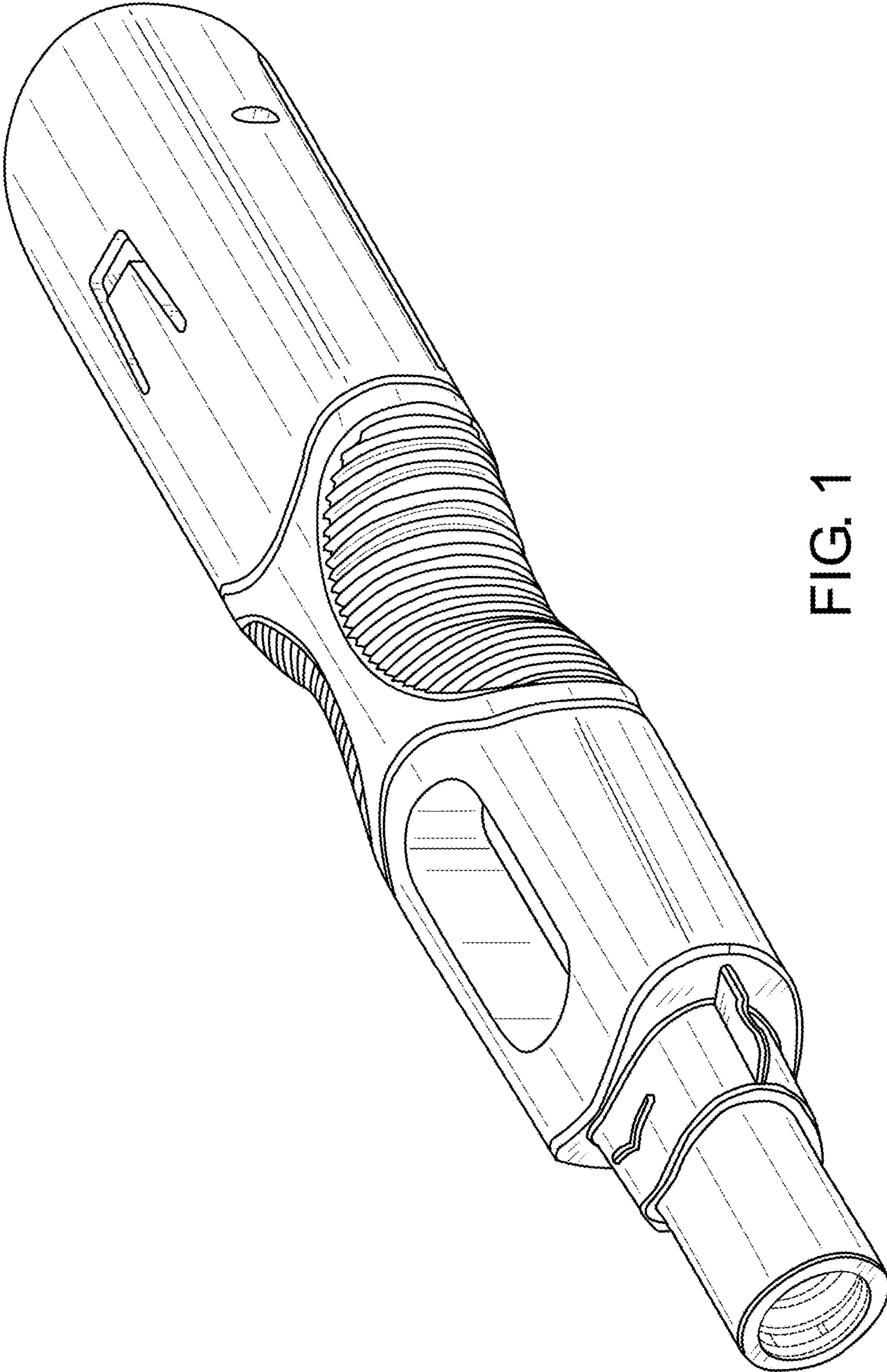


FIG. 1

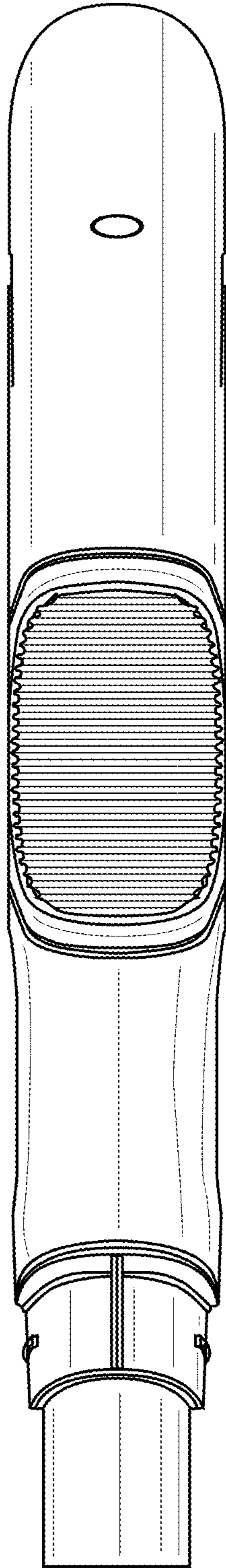


FIG. 2

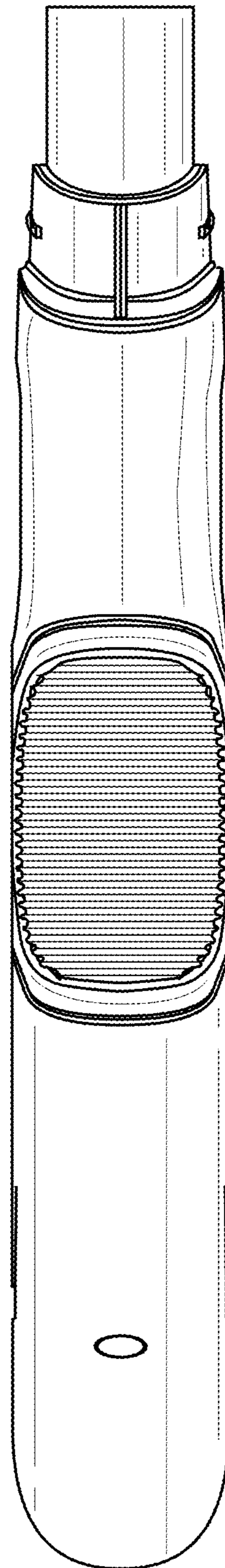


FIG. 3

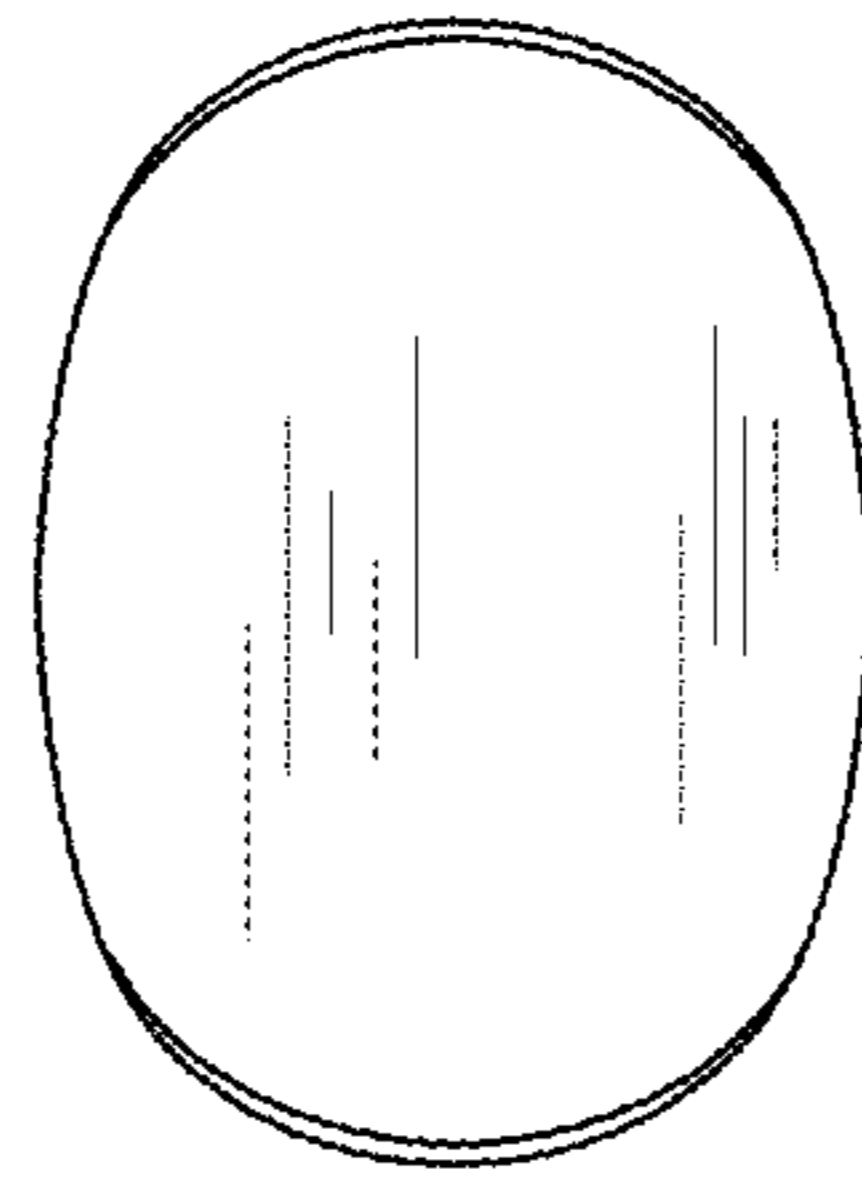


FIG. 5

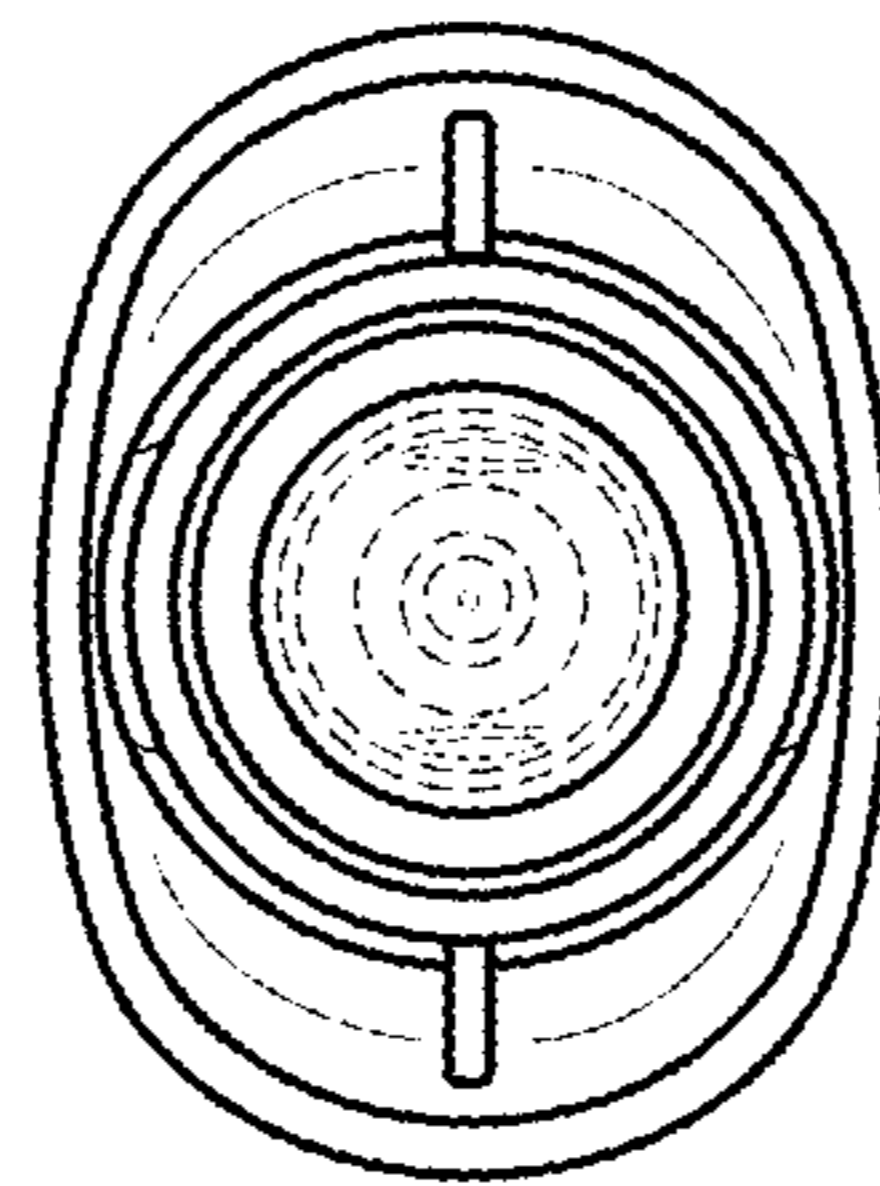


FIG. 4

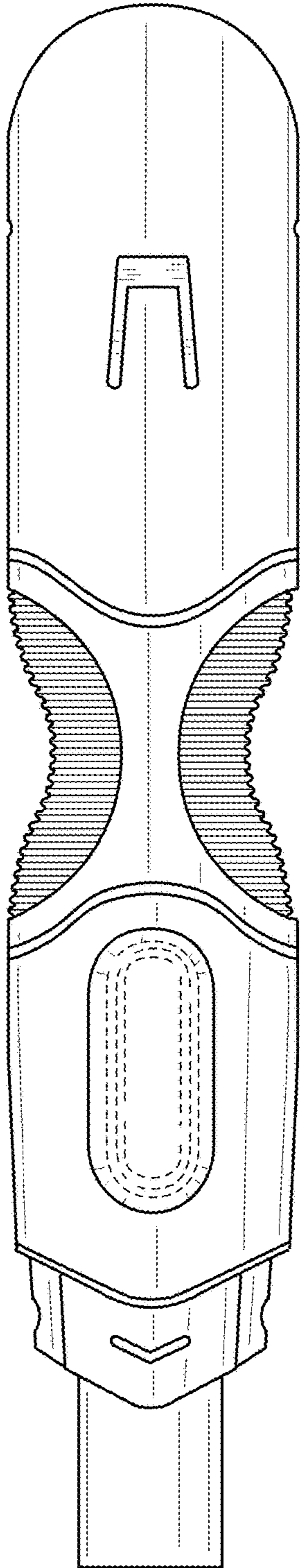


FIG. 6

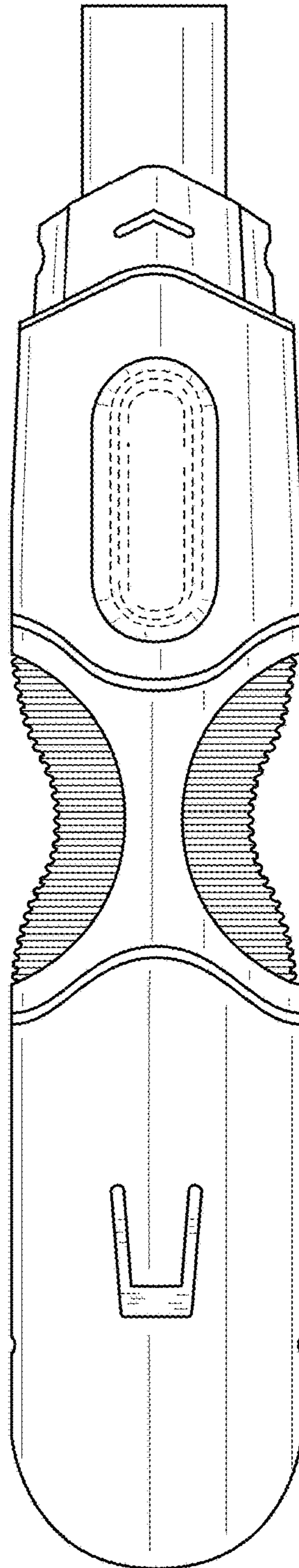


FIG. 7