

US00D809136S

(12) **United States Design Patent** (10) **Patent No.:** **US D809,136 S**  
**Kirwan, Jr.** (45) **Date of Patent:** **\*\* Jan. 30, 2018**

(54) **ELECTRICAL CONNECTOR AND IRRIGATION CONNECTOR FOR IRRIGATION CORD ASSEMBLY**

*Primary Examiner* — David G Muller  
(74) *Attorney, Agent, or Firm* — Posternak Blankstein & Lund LLP

(71) Applicant: **Kirwan Surgical Products LLC**,  
Mansfield, MA (US)

(57) **CLAIM**

The ornamental design for electrical connector and irrigation connector for irrigation cord assembly, as shown and described.

(72) Inventor: **Lawrence T. Kirwan, Jr.**, Kingston,  
MA (US)

(73) Assignee: **Kirwan Surgical Products LLC**,  
Mansfield, MI (US)

**DESCRIPTION**

(\*\*) Term: **14 Years**

(21) Appl. No.: **29/502,531**

(22) Filed: **Sep. 17, 2014**

(51) **LOC (11) Cl.** ..... **24-02**

(52) **U.S. Cl.**  
USPC ..... **D24/127**

(58) **Field of Classification Search**  
USPC ..... D24/127-131, 112-114, 133, 186;  
606/181, 185; 604/264, 523-528, 272,  
604/187, 158, 164.01-164.11, 181, 184,  
604/227; 600/101, 139, 143;  
128/200.24, 207.14, 207.15  
CPC ..... A61M 25/00; A61M 39/00; A61M 27/00;  
A61M 25/0043; A61M 25/0067  
See application file for complete search history.

FIG. 1 is a front top view of an electrical connector and an irrigation connector for an irrigation cord assembly.  
FIG. 2 is a left side elevation view of the electrical connector of FIG. 1.  
FIG. 3 is a front elevation view of the electrical connector of FIG. 1.  
FIG. 4 is a right side elevation view of the electrical connector of FIG. 1.  
FIG. 5 is a rear elevation view of the electrical connector of FIG. 1.  
FIG. 6 is a top plan view of the electrical connector of FIG. 1.  
FIG. 7 is a bottom plan view of the electrical connector of FIG. 1.  
FIG. 8 is a left side elevation view of the irrigation connector of FIG. 1.  
FIG. 9 is a front elevation view of the irrigation connector of FIG. 1.  
FIG. 10 is a right side elevation view of the irrigation connector of FIG. 1.  
FIG. 11 is a rear elevation view of the irrigation connector of FIG. 1.  
FIG. 12 is a top plan view of the irrigation connector of FIG. 1; and,  
FIG. 13 is a bottom plan view of the irrigation connector of FIG. 1.  
The broken line showing of parts of the drawings is included for the purpose of illustrating use and environment and forms no part of the claimed design.

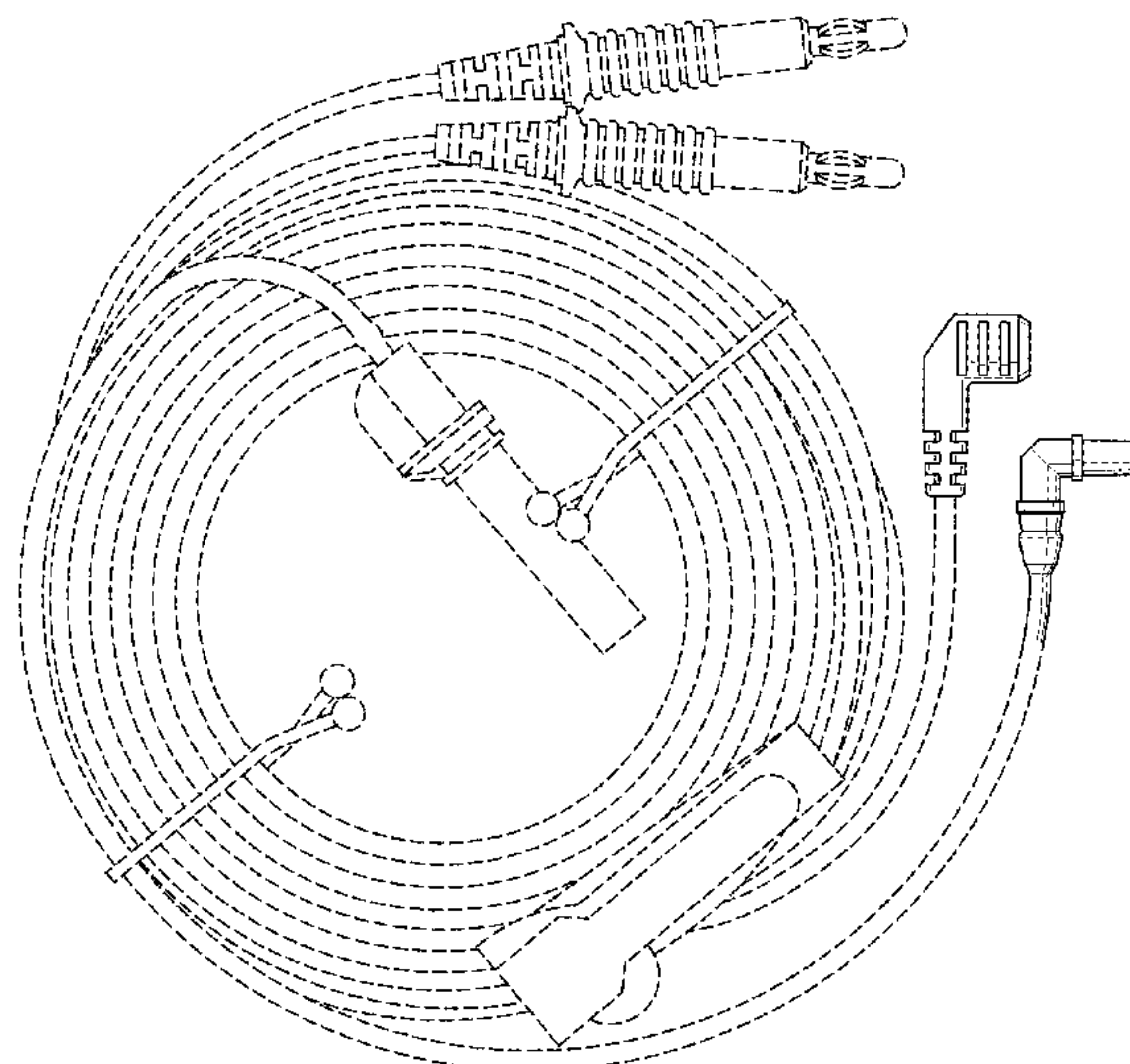
(56) **References Cited**

**U.S. PATENT DOCUMENTS**

4,668,225 A \* 5/1987 Russo ..... A61J 15/0015  
604/104  
5,599,300 A \* 2/1997 Weaver ..... A61M 25/0026  
128/898  
5,676,670 A \* 10/1997 Kim ..... A61B 17/320016  
606/108  
5,738,666 A \* 4/1998 Watson ..... A61B 1/00135  
604/247

(Continued)

**1 Claim, 5 Drawing Sheets**



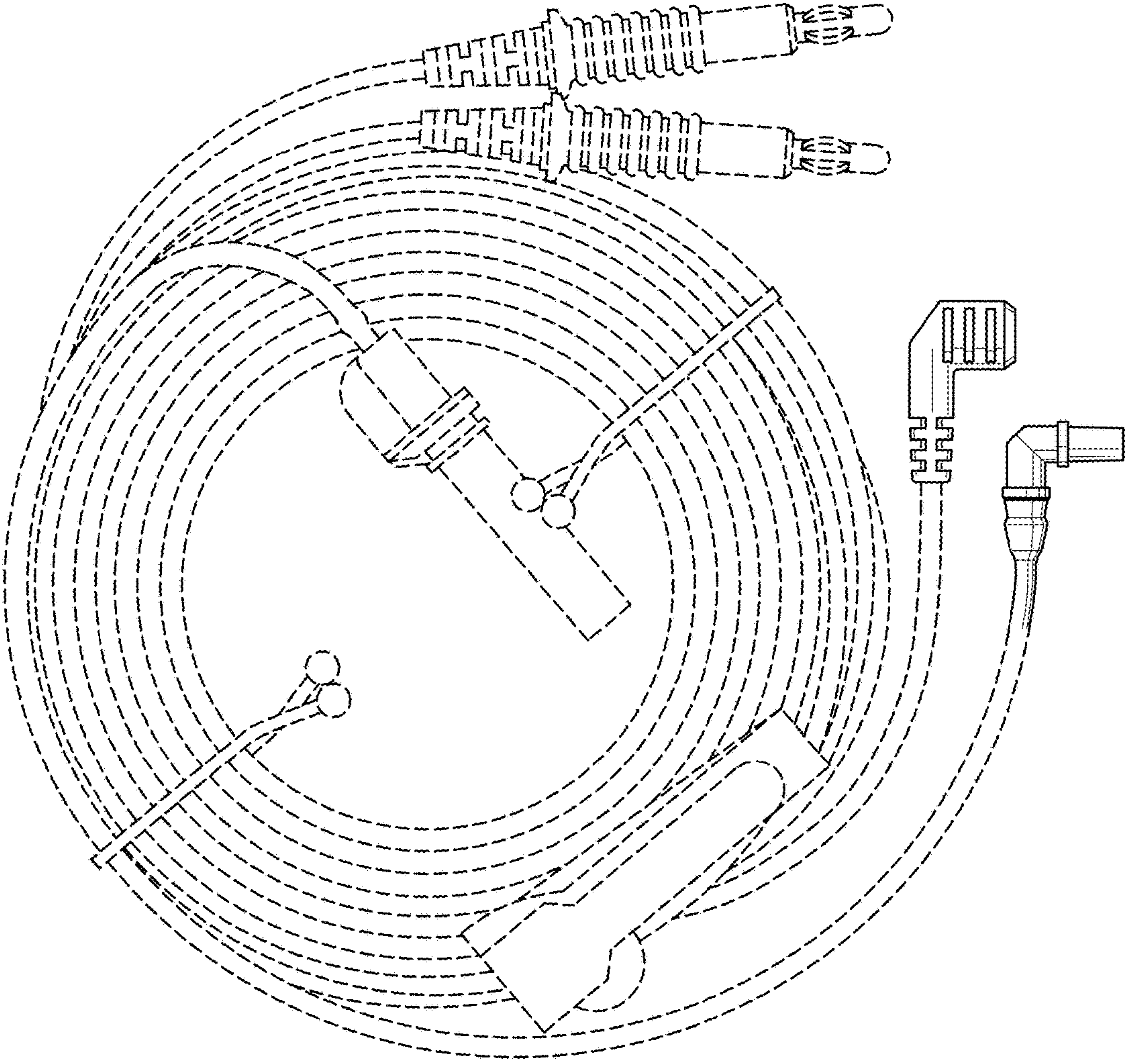
(56)

**References Cited**

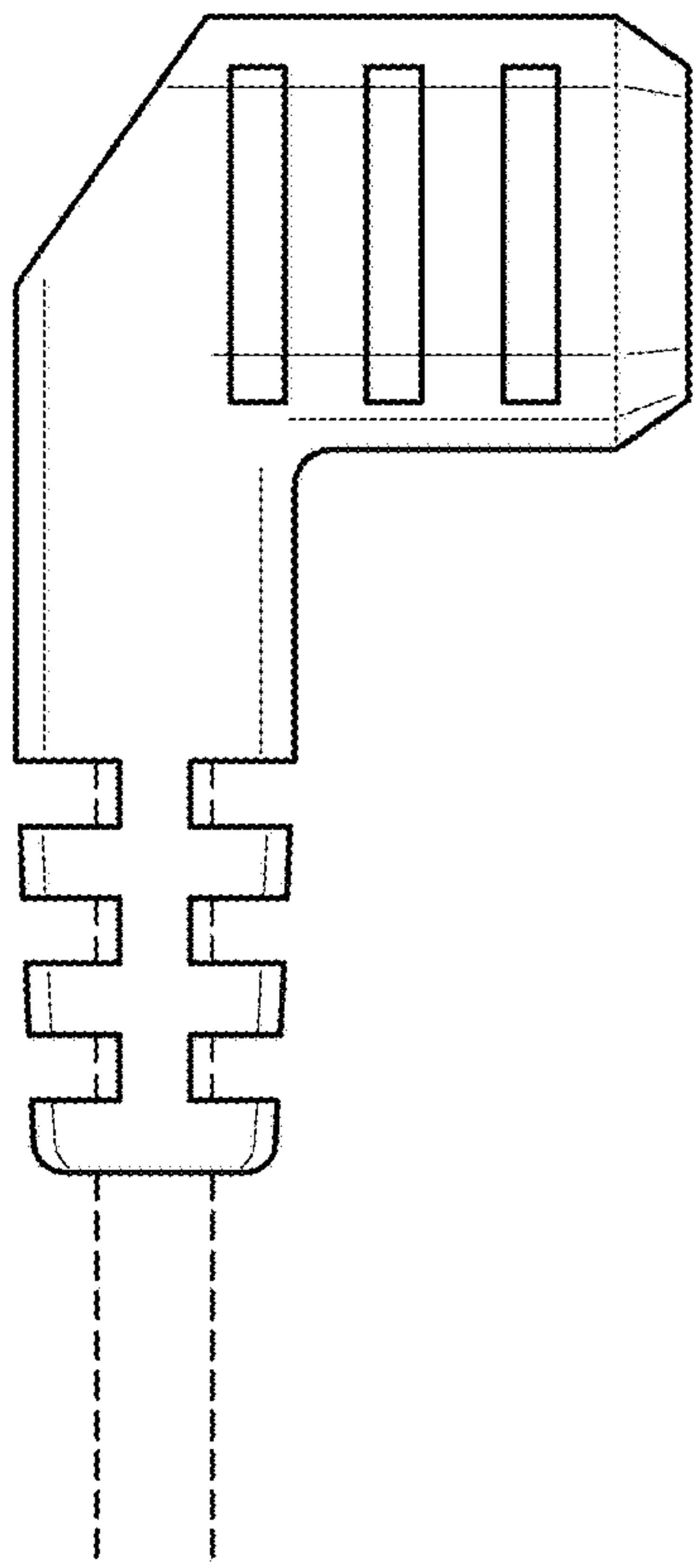
U.S. PATENT DOCUMENTS

5,947,953	A	9/1999	Ash et al.	
5,968,087	A	10/1999	Hess et al.	
D440,304	S *	4/2001	Morales .....	D24/112
6,363,273	B1	3/2002	Mastrorio et al.	
6,406,476	B1	6/2002	Kirwan, Jr. et al.	
6,434,430	B2	8/2002	Borgersen et al.	
6,632,201	B1 *	10/2003	Mathias .....	A61M 5/3243 604/162
7,018,374	B2	3/2006	Schon et al.	
7,402,754	B2	7/2008	Kirwan, Jr. et al.	
7,621,911	B2	11/2009	Ariola, Jr.	
7,740,614	B2 *	6/2010	Murashita .....	A61M 5/158 604/164.01
D622,379	S *	8/2010	Singh .....	D24/130
7,857,770	B2 *	12/2010	Raulerson .....	A61M 25/0105 600/585
8,361,040	B2 *	1/2013	Spohn .....	A61M 5/007 604/174
D686,316	S *	7/2013	Baid .....	D24/112
8,911,396	B2 *	12/2014	Gordon .....	A61M 25/01 604/164.01
8,931,637	B2 *	1/2015	Deeds .....	A61M 25/002 206/364

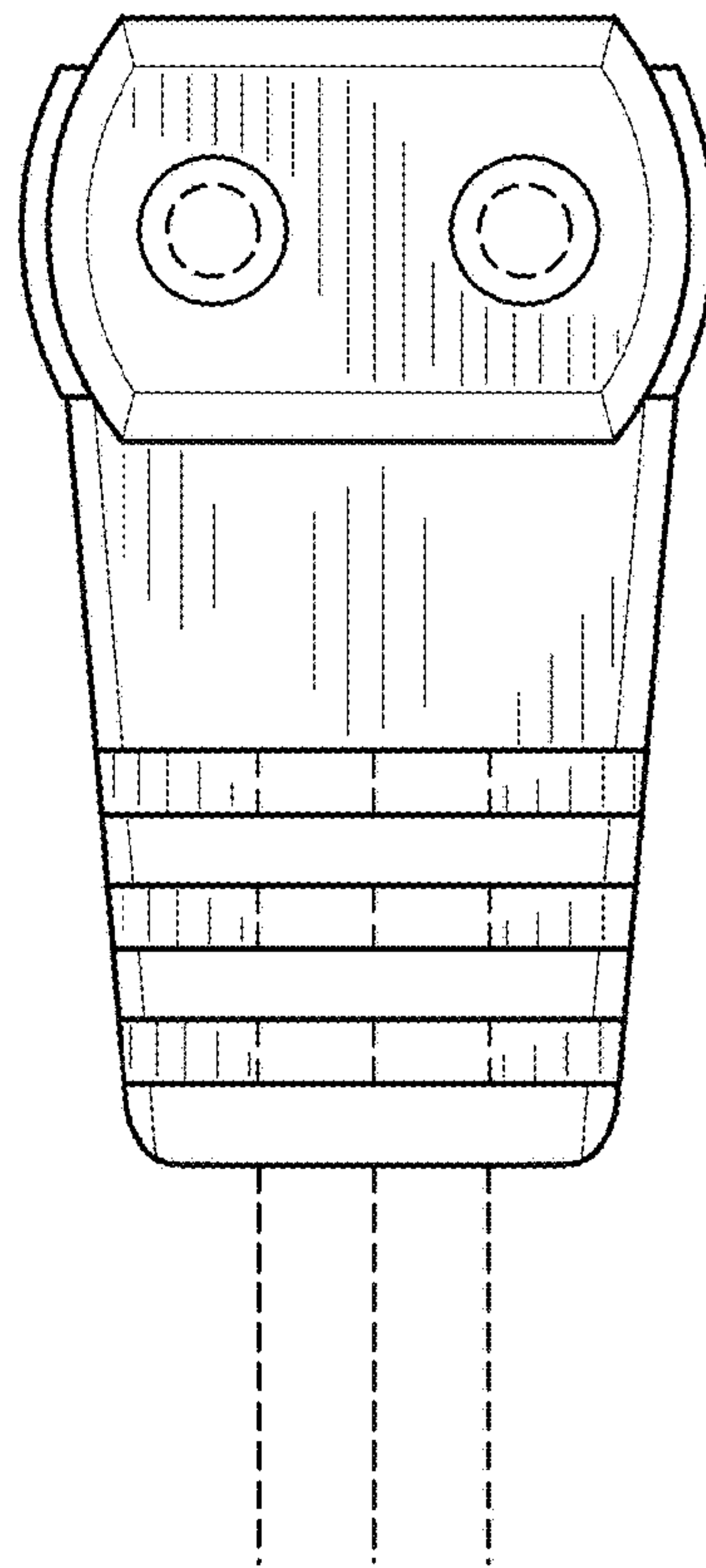
\* cited by examiner



**FIG. 1**

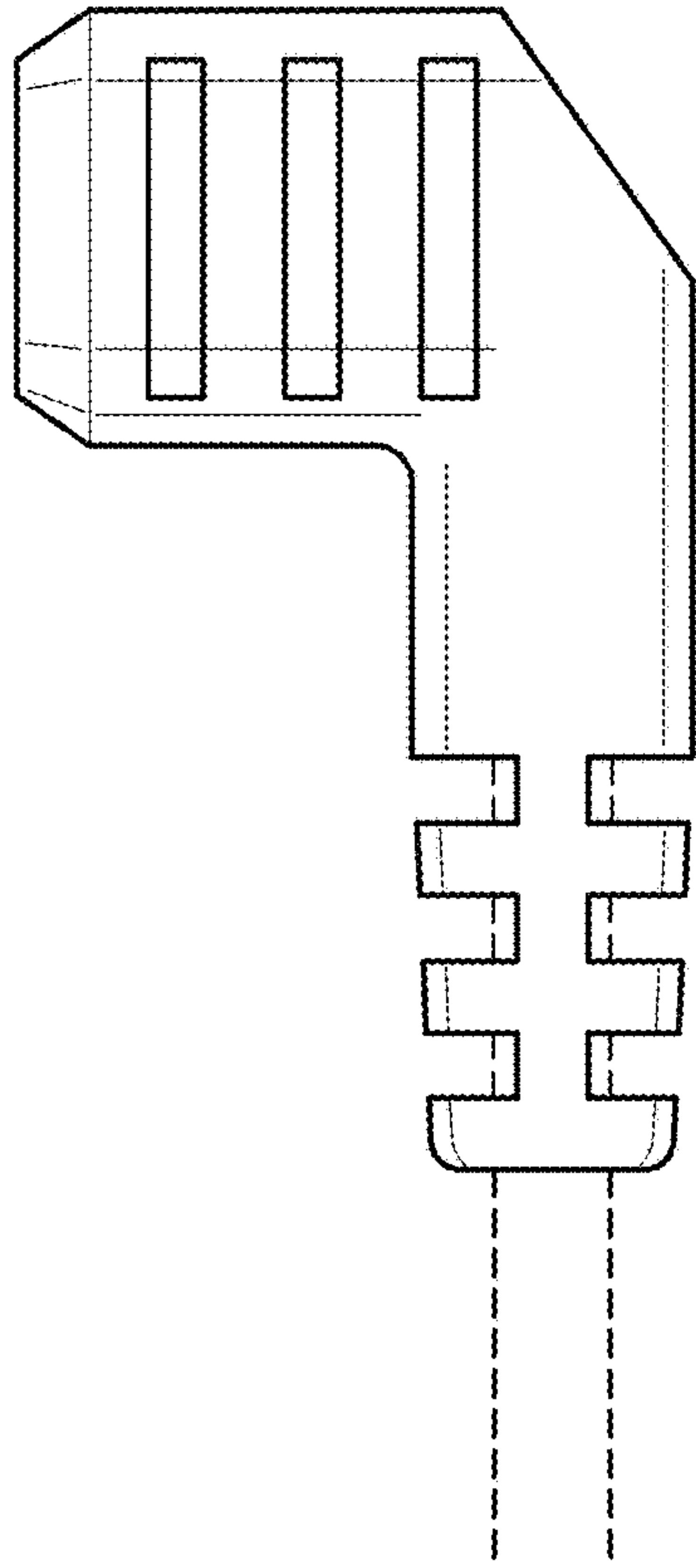


**FIG. 2**

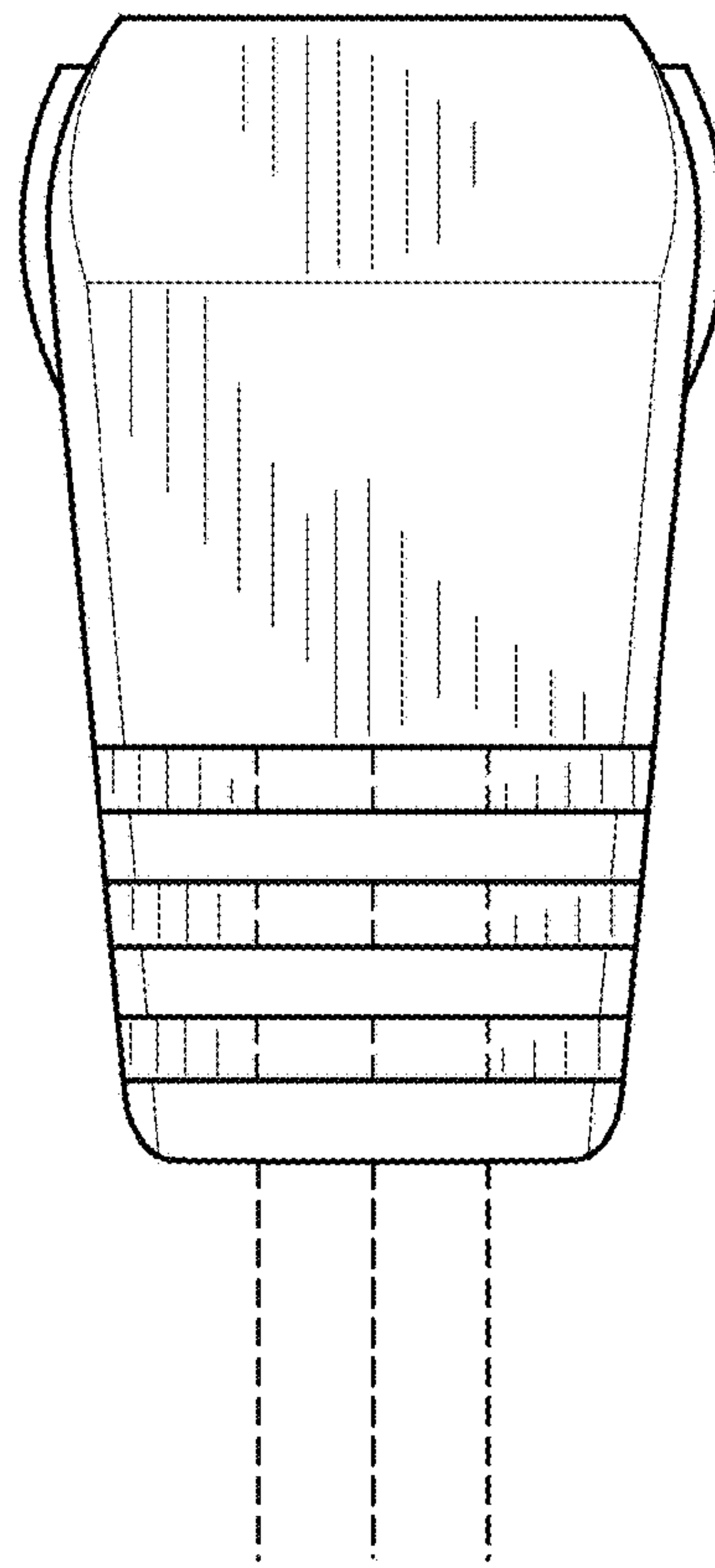


**FIG. 3**

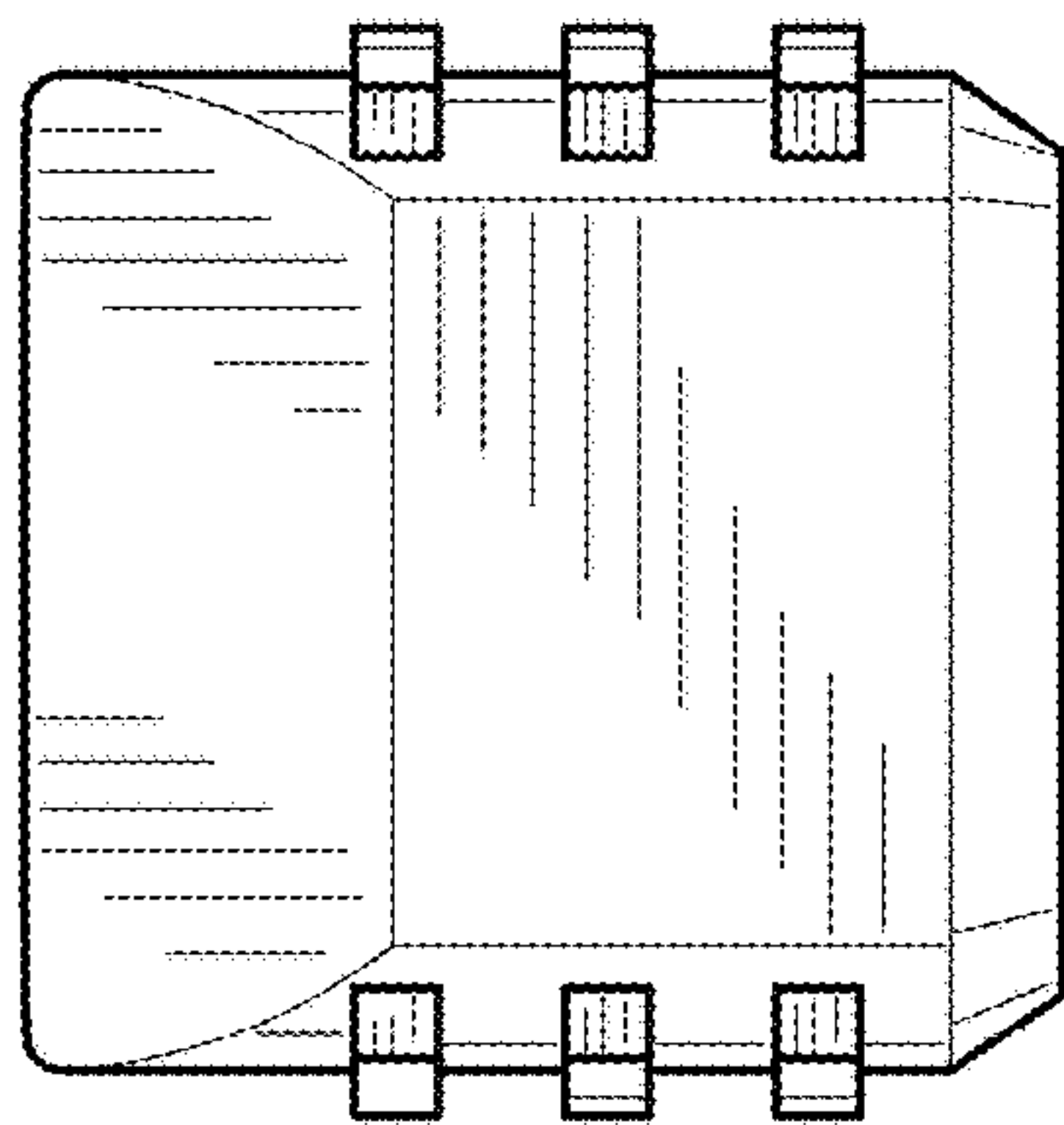




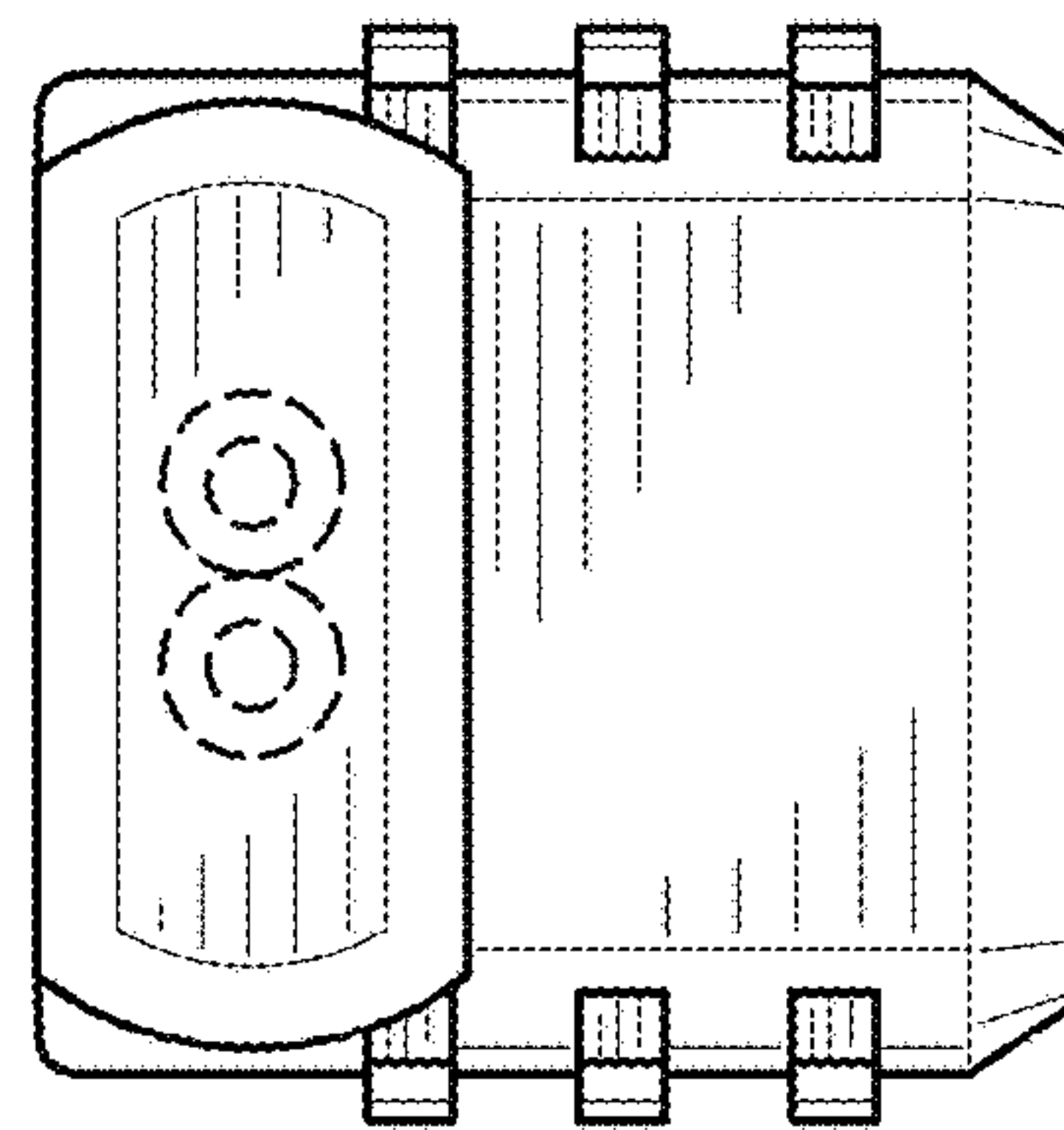
**FIG. 4**



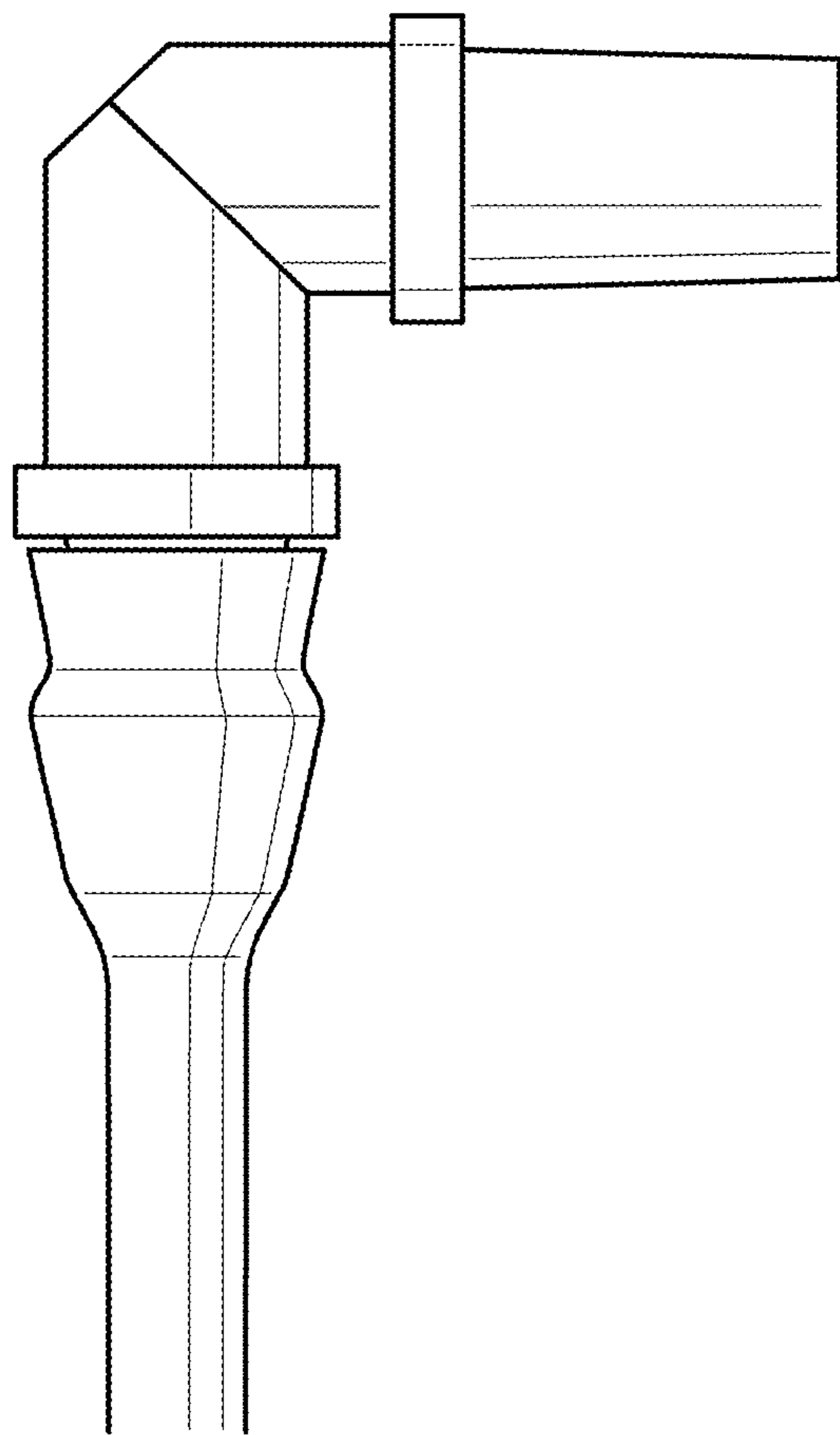
**FIG. 5**



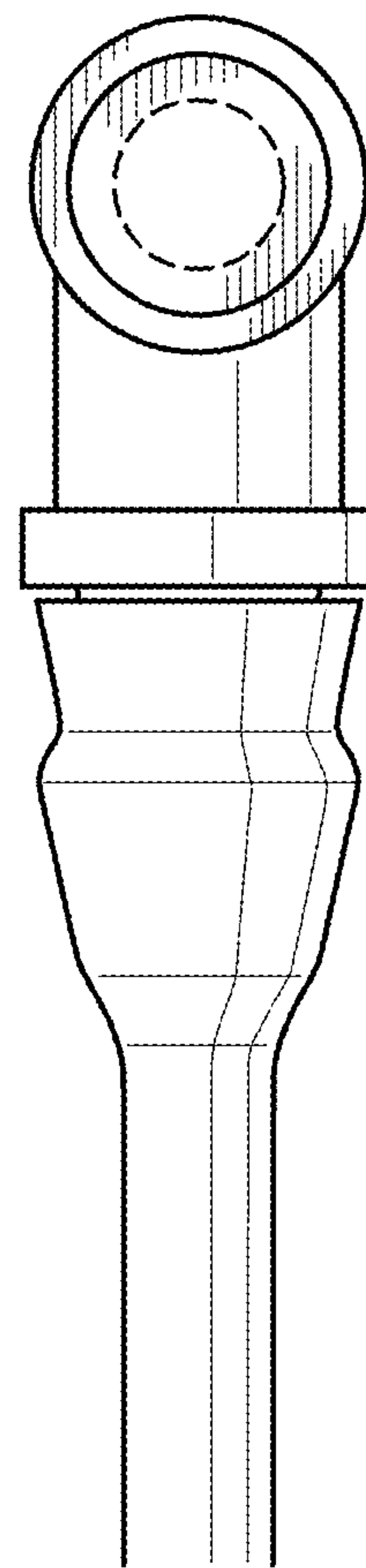
**FIG. 6**



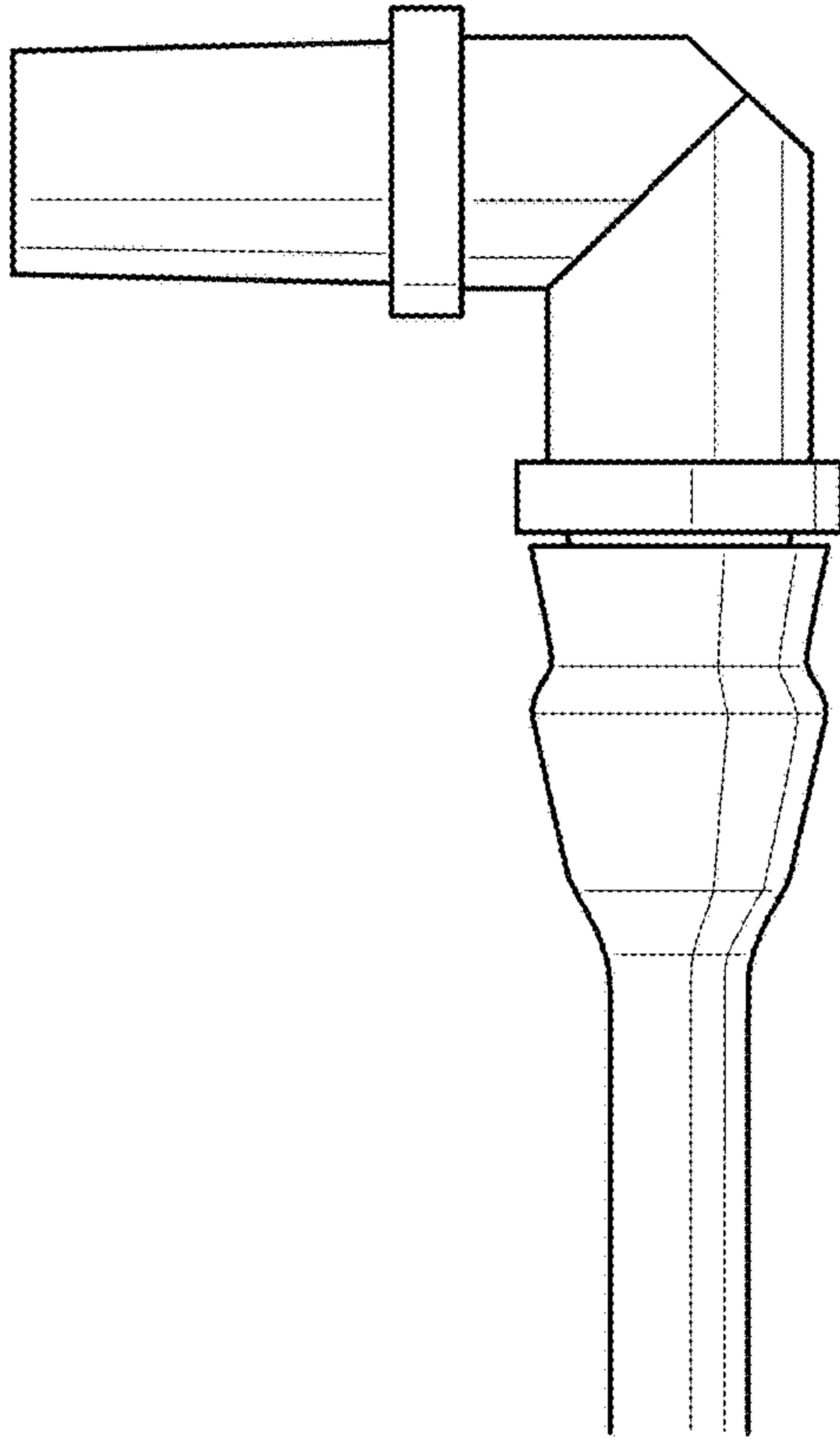
**FIG. 7**



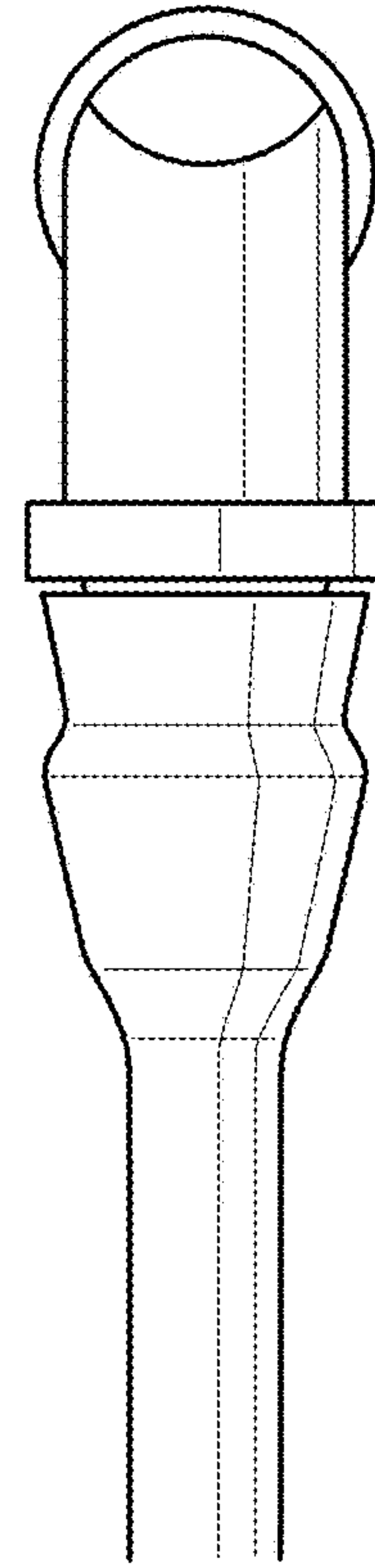
***FIG. 8***



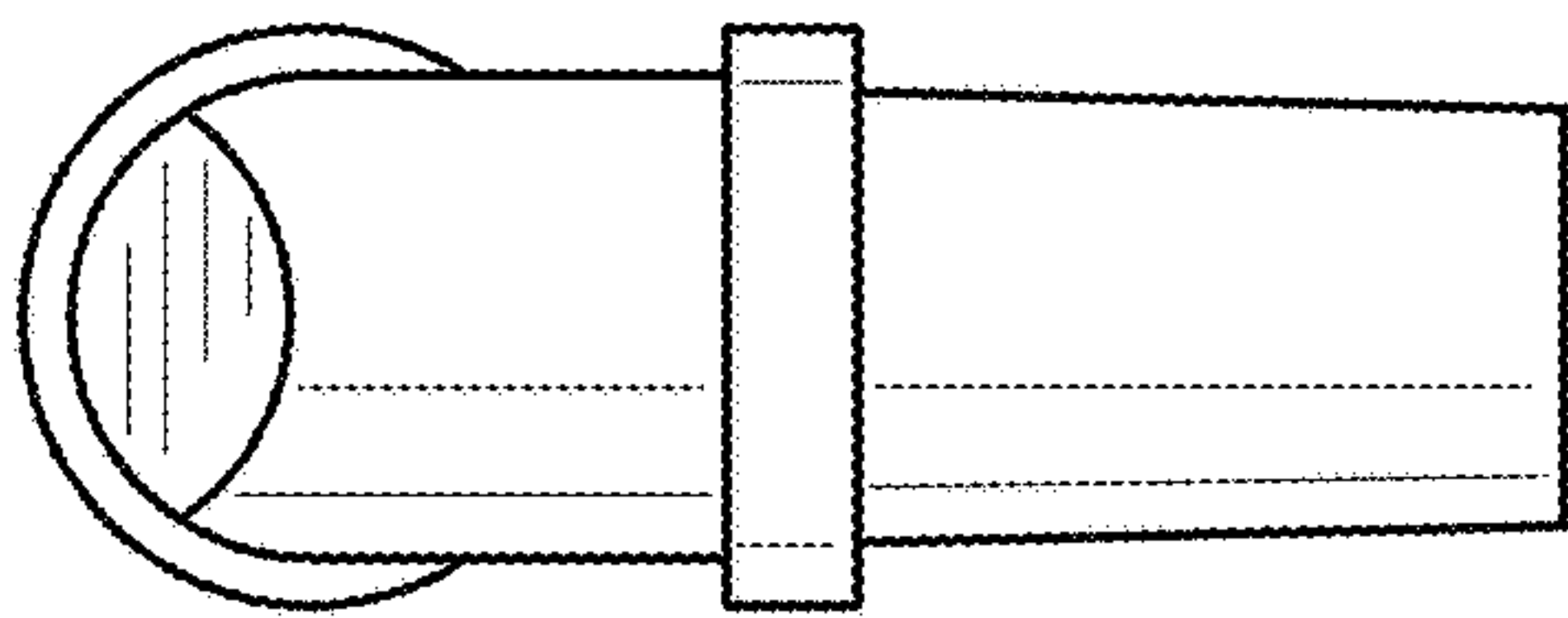
***FIG. 9***



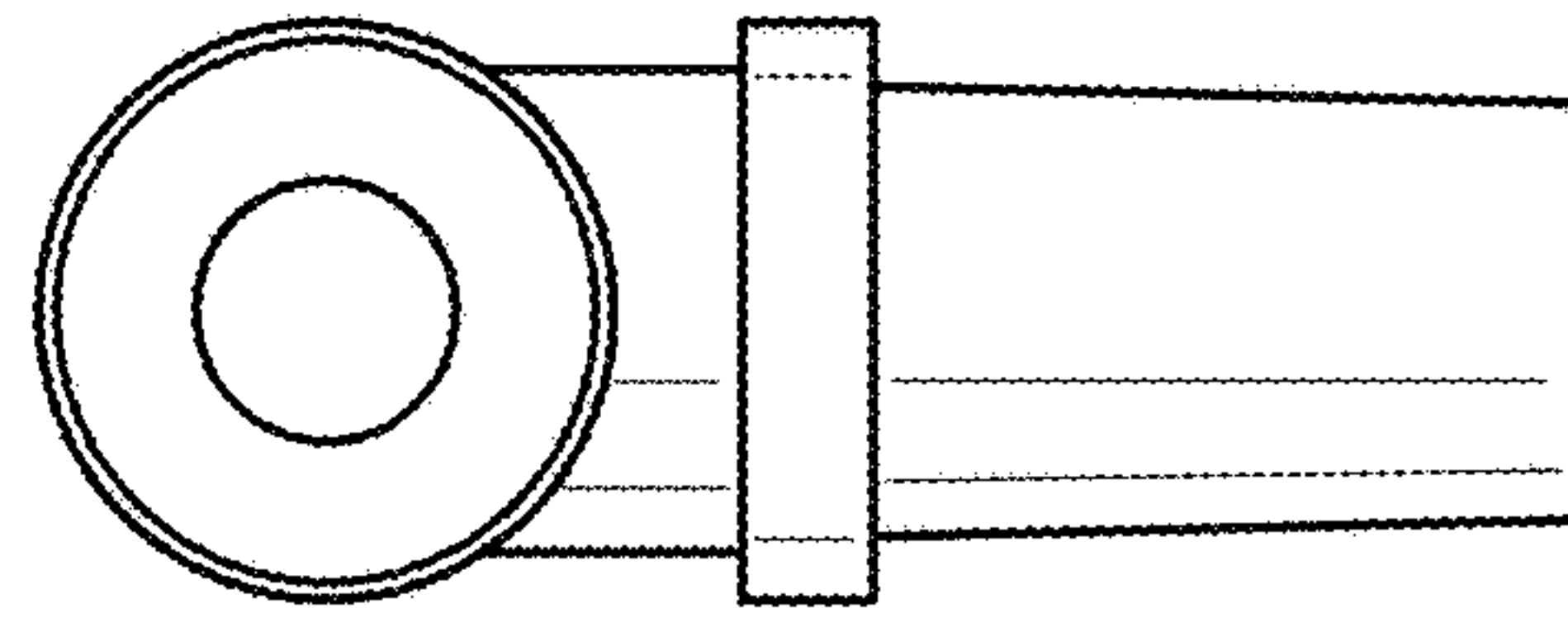
**FIG. 10**



**FIG. 11**



**FIG. 12**



**FIG. 13**