



US00D809130S

(12) **United States Design Patent**
Yang

(10) **Patent No.:** **US D809,130 S**

(45) **Date of Patent:** **** Jan. 30, 2018**

(54) **RESPIRATOR**

(71) Applicant: **Ningbo Geostar Photoelectric Technology Co., Ltd.**, Zhejiang Province (CN)

(72) Inventor: **Zhaolin Yang**, Zhejiang Province (CN)

(**) Term: **15 Years**

(21) Appl. No.: **29/575,849**

(22) Filed: **Aug. 30, 2016**

(51) **LOC (11) Cl.** **29-02**

(52) **U.S. Cl.**
USPC **D24/110; D24/164**

(58) **Field of Classification Search**
USPC D24/107, 108, 110–110.4, 110.6, 127, D24/162, 164; D29/107, 108, 110
CPC A62B 18/006; A62B 7/10; A62B 18/045; A62B 18/08; A62B 18/04; A62B 18/082; A62B 18/02; A62B 18/00; A42B 3/288; A42B 3/225; A42B 3/286

See application file for complete search history.

(56) **References Cited**

U.S. PATENT DOCUMENTS

D449,099 S	*	10/2001	Juhlin	D23/355
D646,379 S	*	10/2011	Huh	D24/110
D666,724 S	*	9/2012	Wilhelm	D24/164
D700,701 S	*	3/2014	Taylor	D24/164
D710,493 S	*	8/2014	Wu	D24/110
D710,494 S	*	8/2014	Wu	D24/110
D727,511 S	*	4/2015	Dehmke	D24/164
D756,519 S	*	5/2016	Adams	D24/164
D774,180 S	*	12/2016	Wu	D24/110

2009/0314295	A1*	12/2009	Hatmaker	A62B 7/10 128/205.12
2011/0126713	A1*	6/2011	Legare	A62B 23/02 96/135
2013/0014752	A1*	1/2013	Ausen	A62B 7/10 128/201.25
2016/0001102	A1*	1/2016	Huh	A62B 7/10 128/206.17
2016/0001103	A1*	1/2016	Huh	A62B 18/02 128/202.22

* cited by examiner

Primary Examiner — Barbara Fox

Assistant Examiner — Lilyana Bekic

(74) *Attorney, Agent, or Firm* — Prakash Nama; Global IP Services, PLLC

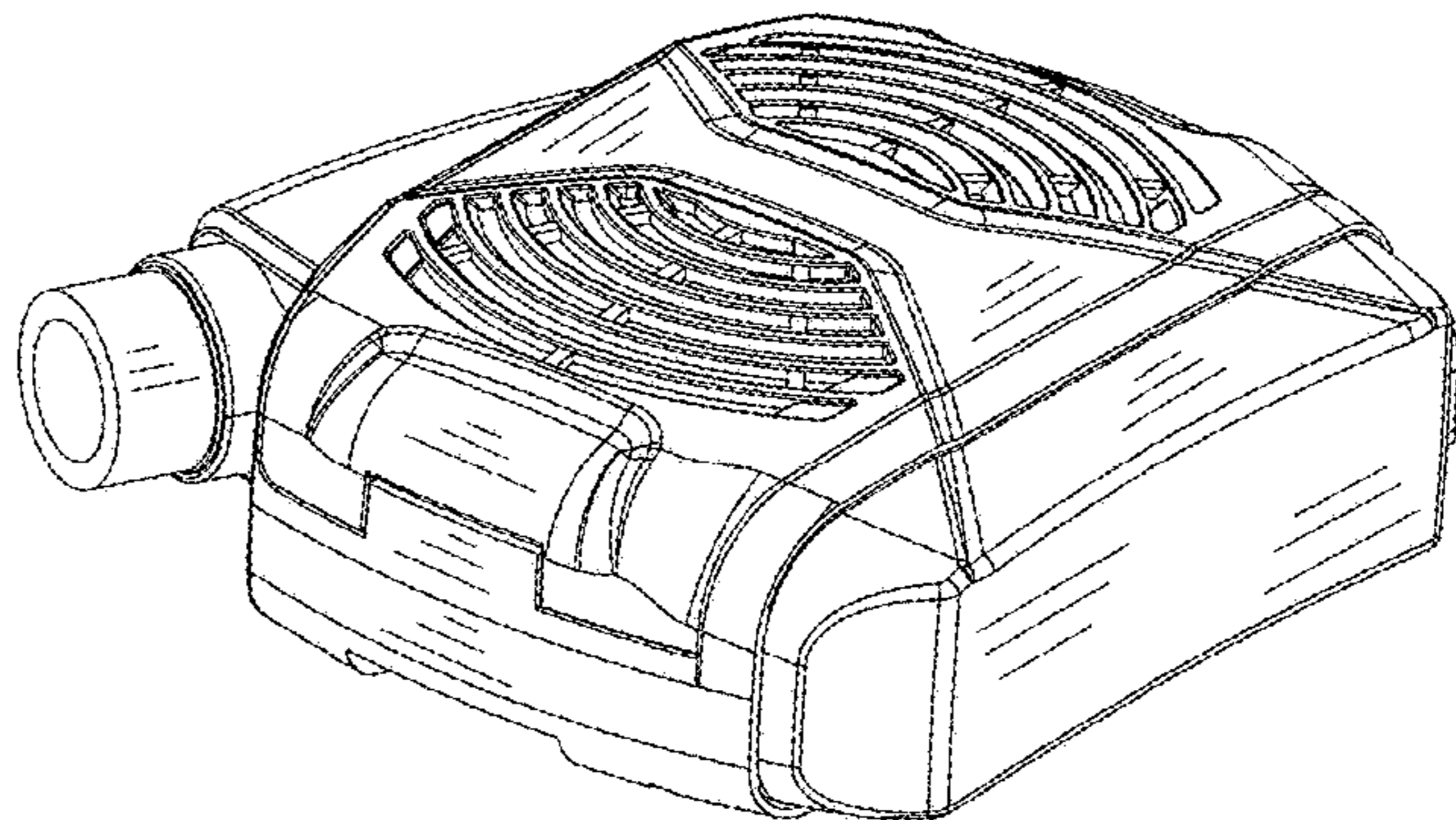
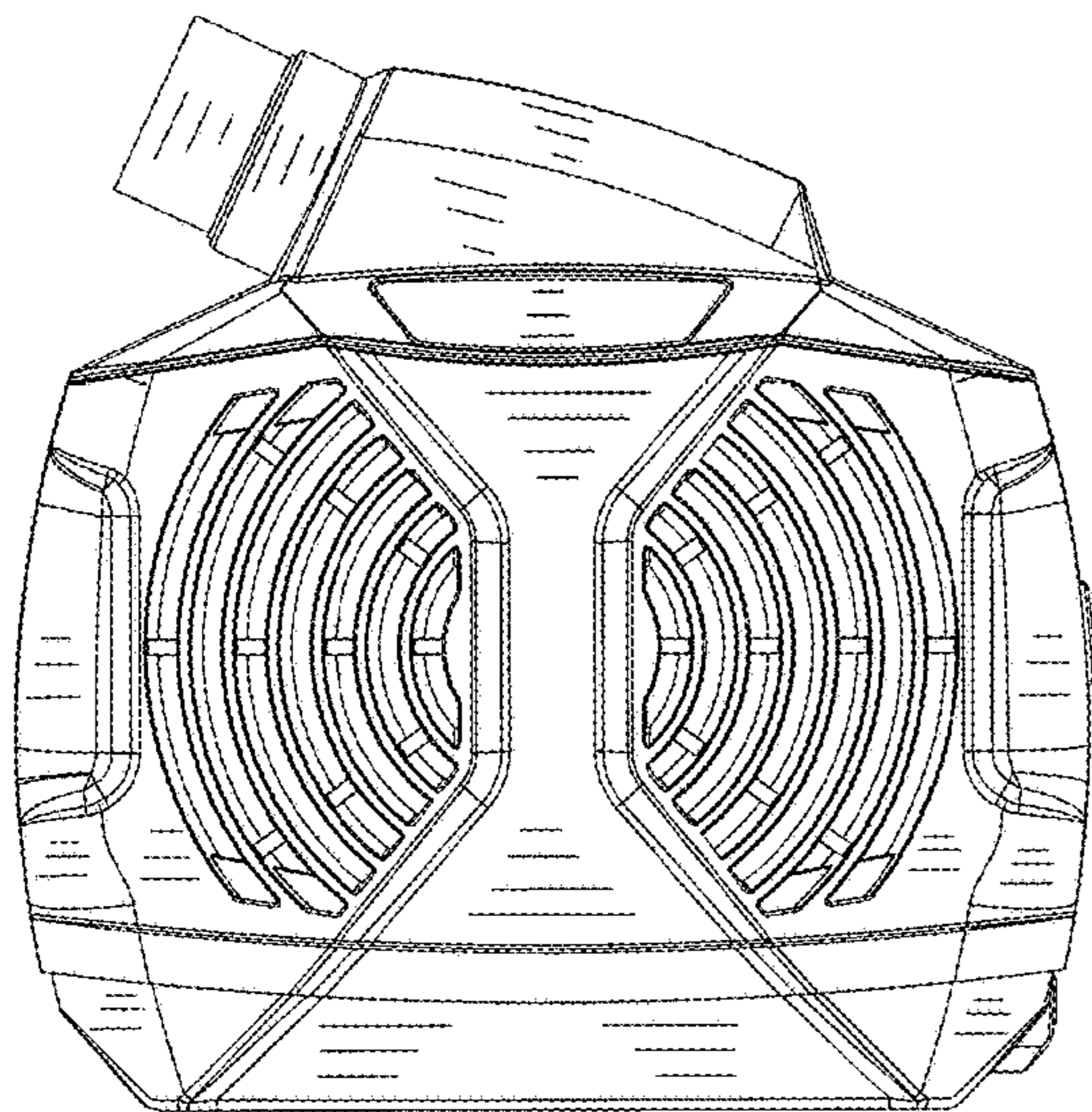
(57) **CLAIM**

The ornamental design for a respirator, as shown and described.

DESCRIPTION

FIG. 1 is a front elevational view of a respirator showing my new design;
FIG. 2 is a rear elevational view thereof;
FIG. 3 is a left side view thereof;
FIG. 4 is a right side view thereof;
FIG. 5 is a top plan view thereof;
FIG. 6 is a bottom plan view thereof;
FIG. 7 is a perspective view thereof;
FIG. 8 is a second perspective view thereof;
FIG. 9 is a third perspective view thereof; and,
FIG. 10 is a fourth perspective view thereof.
The broken lines in the drawings depict portions of the respirator that form no part of the claimed design.

1 Claim, 9 Drawing Sheets



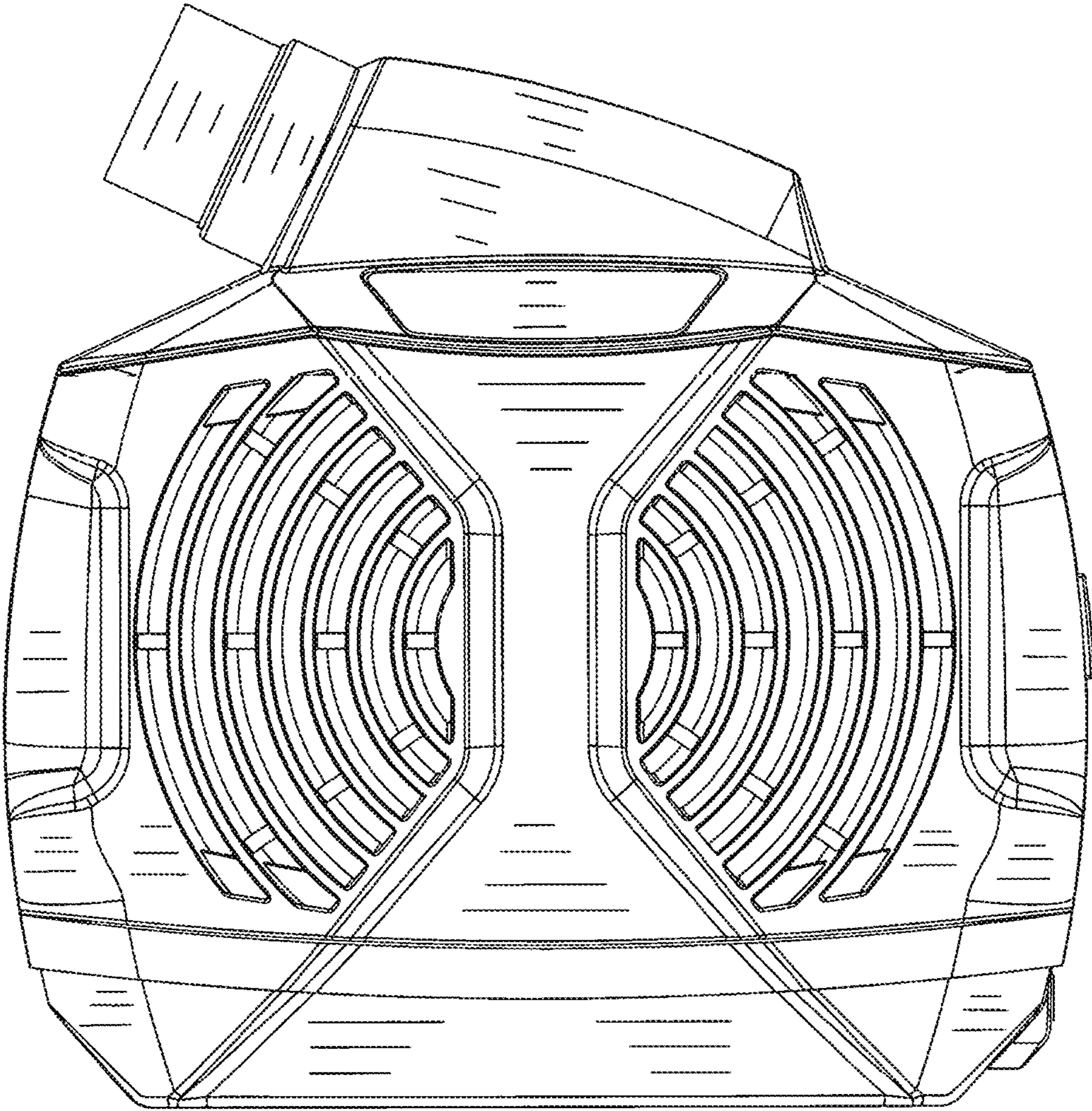


FIG. 1

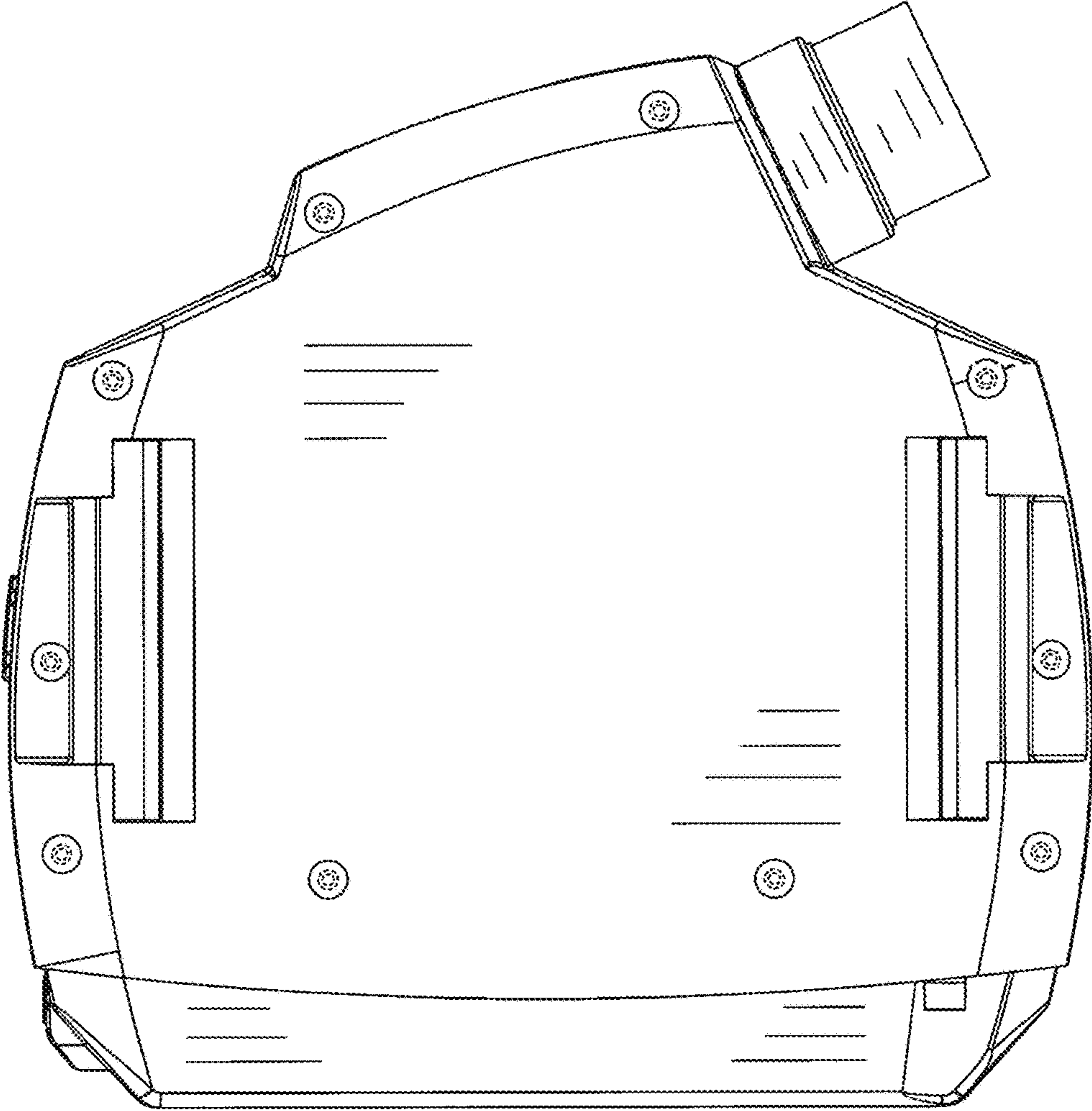


FIG. 2

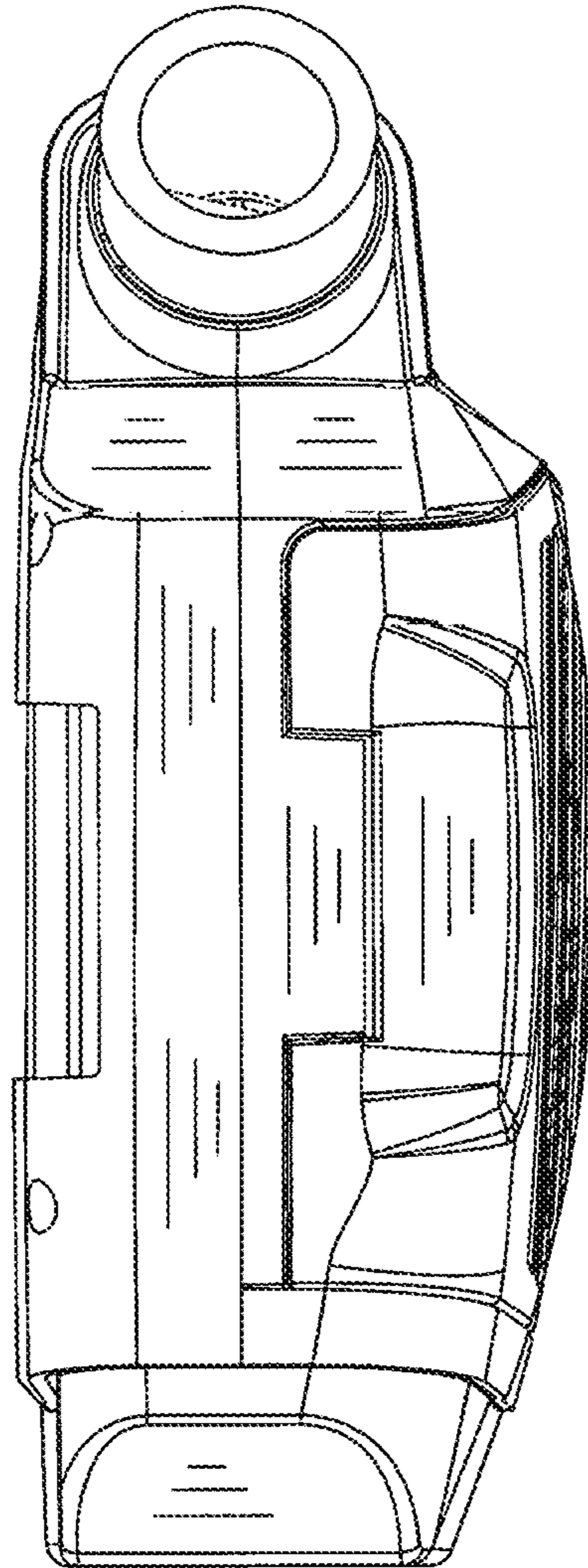


FIG. 3

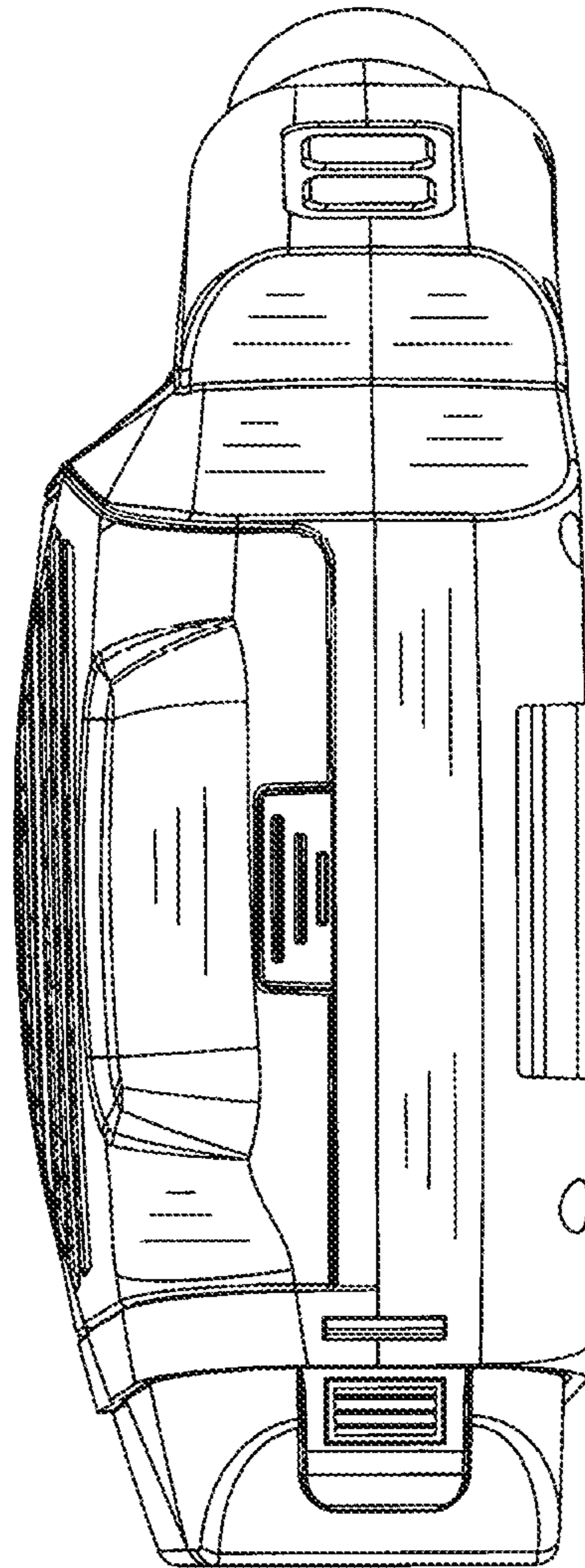


FIG. 4

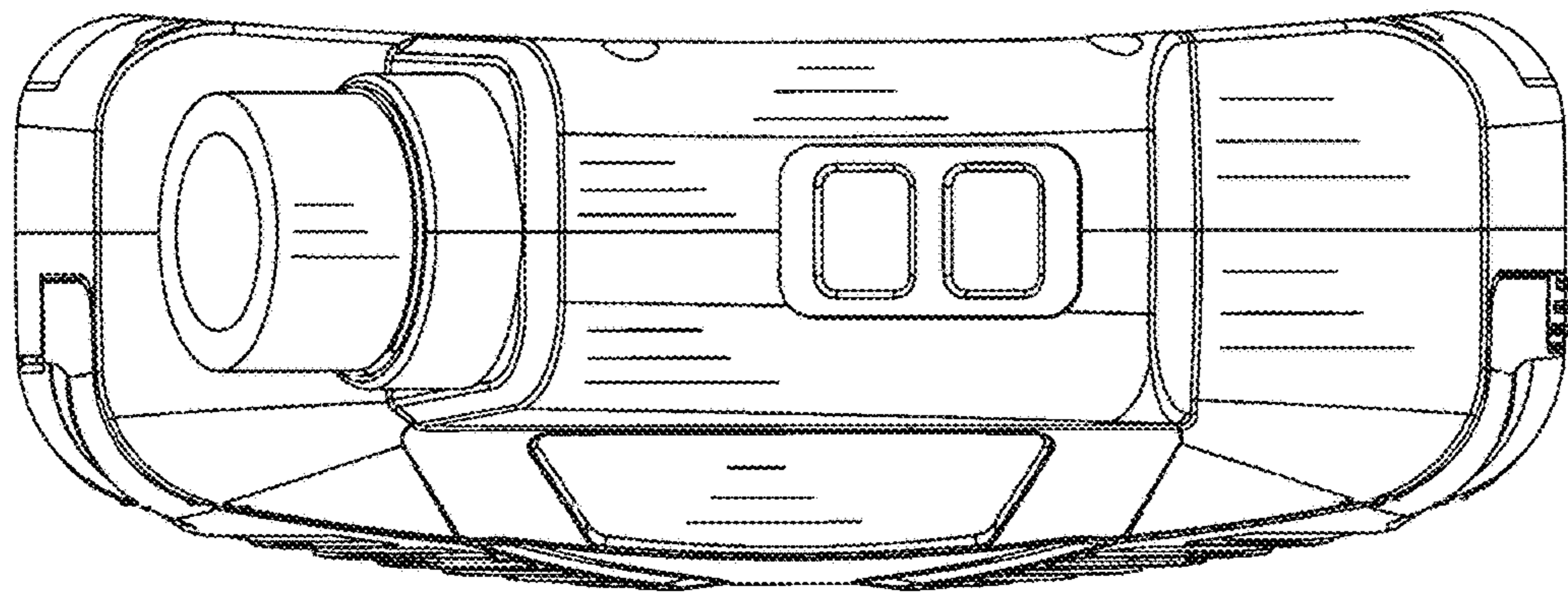


FIG. 5

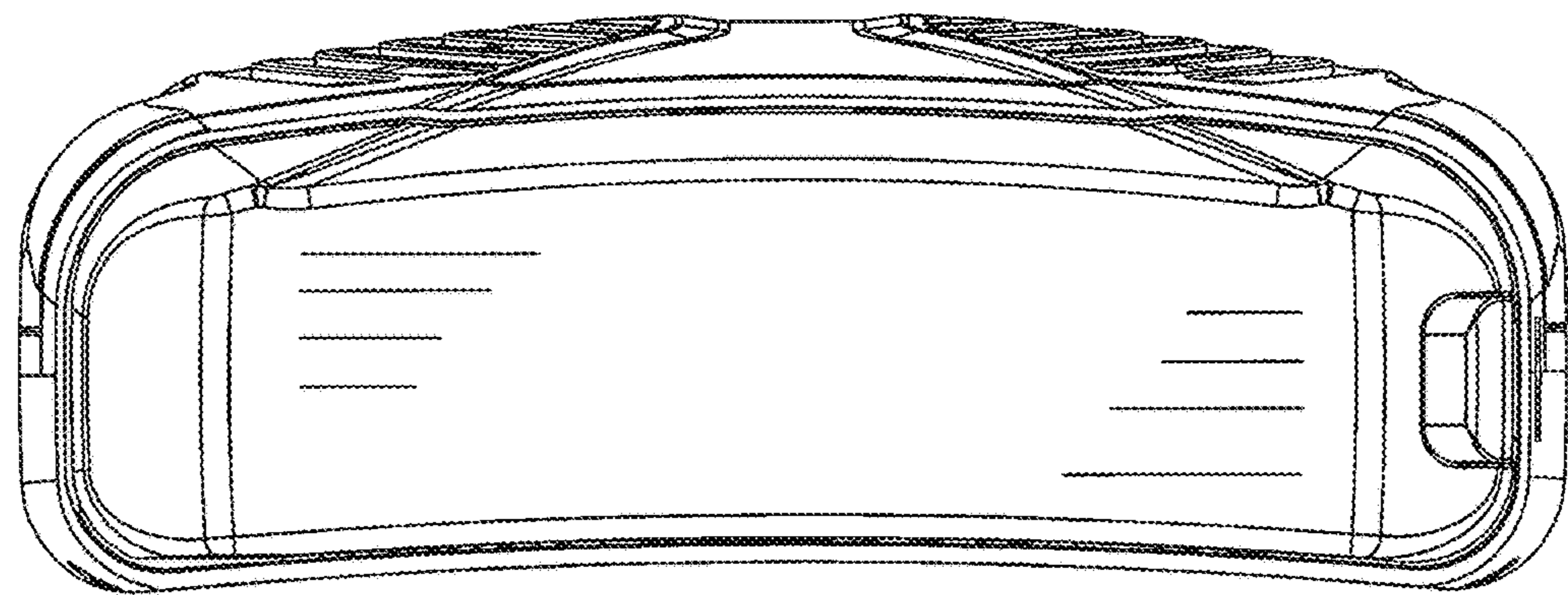


FIG. 6

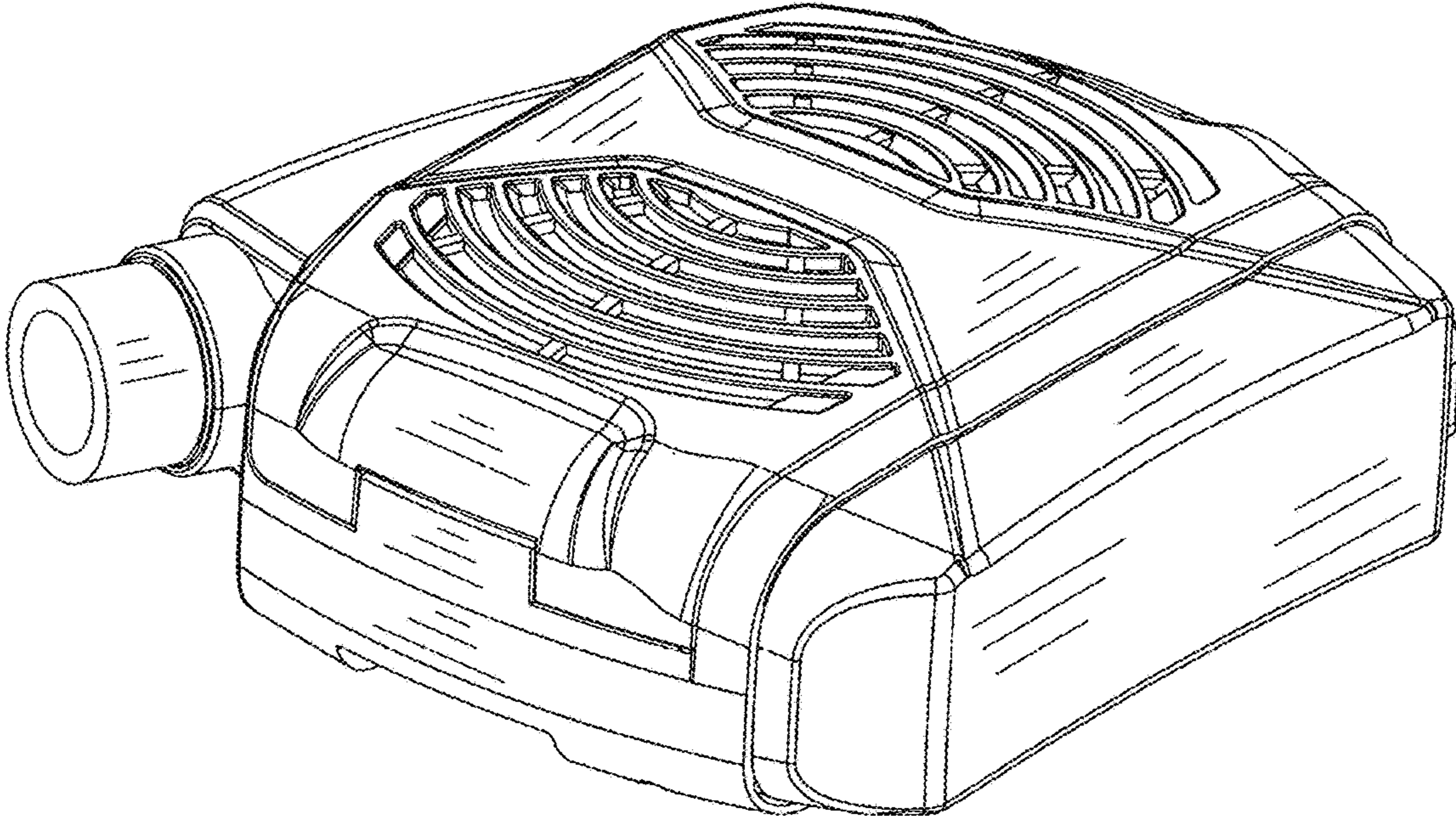


FIG. 7

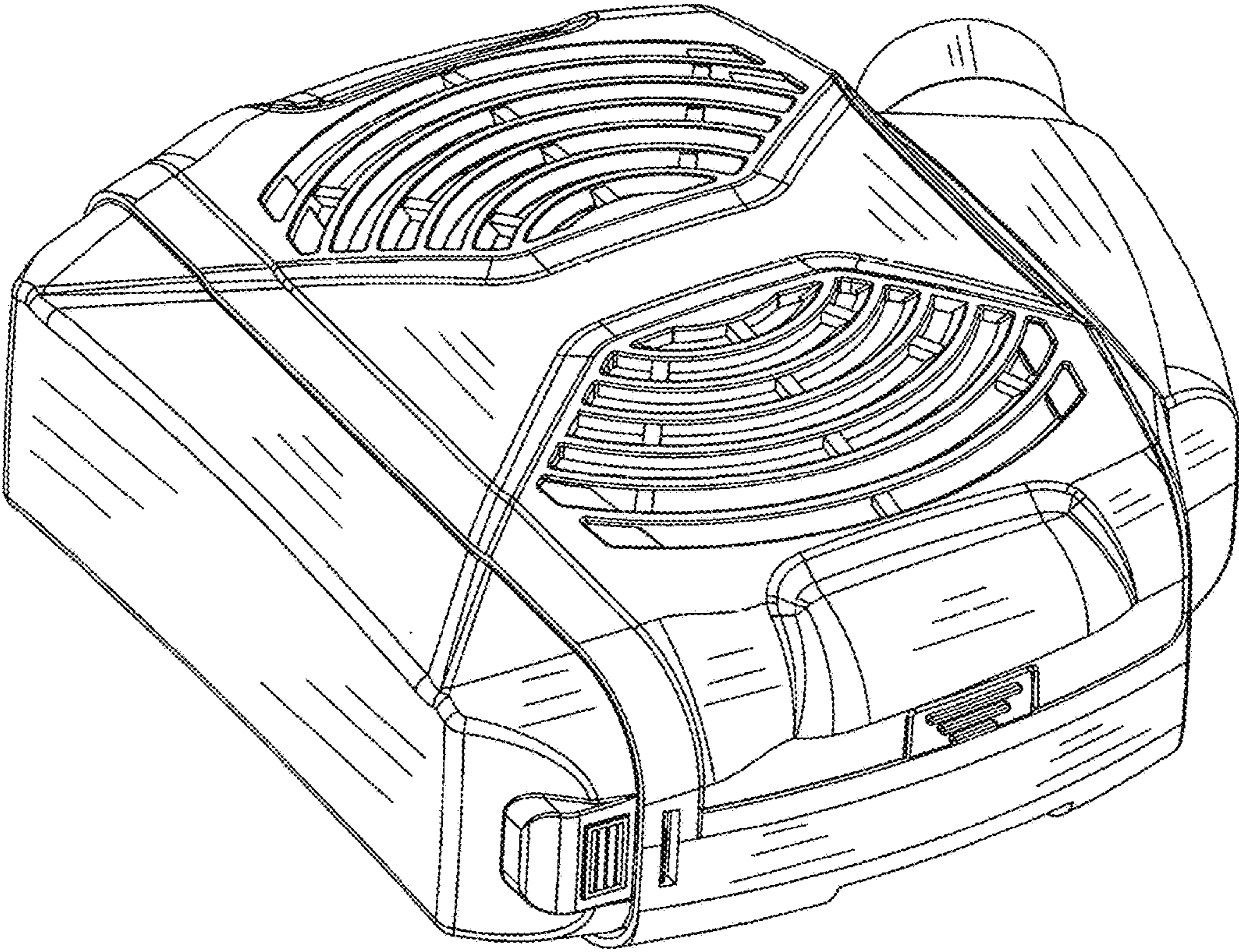


FIG. 8

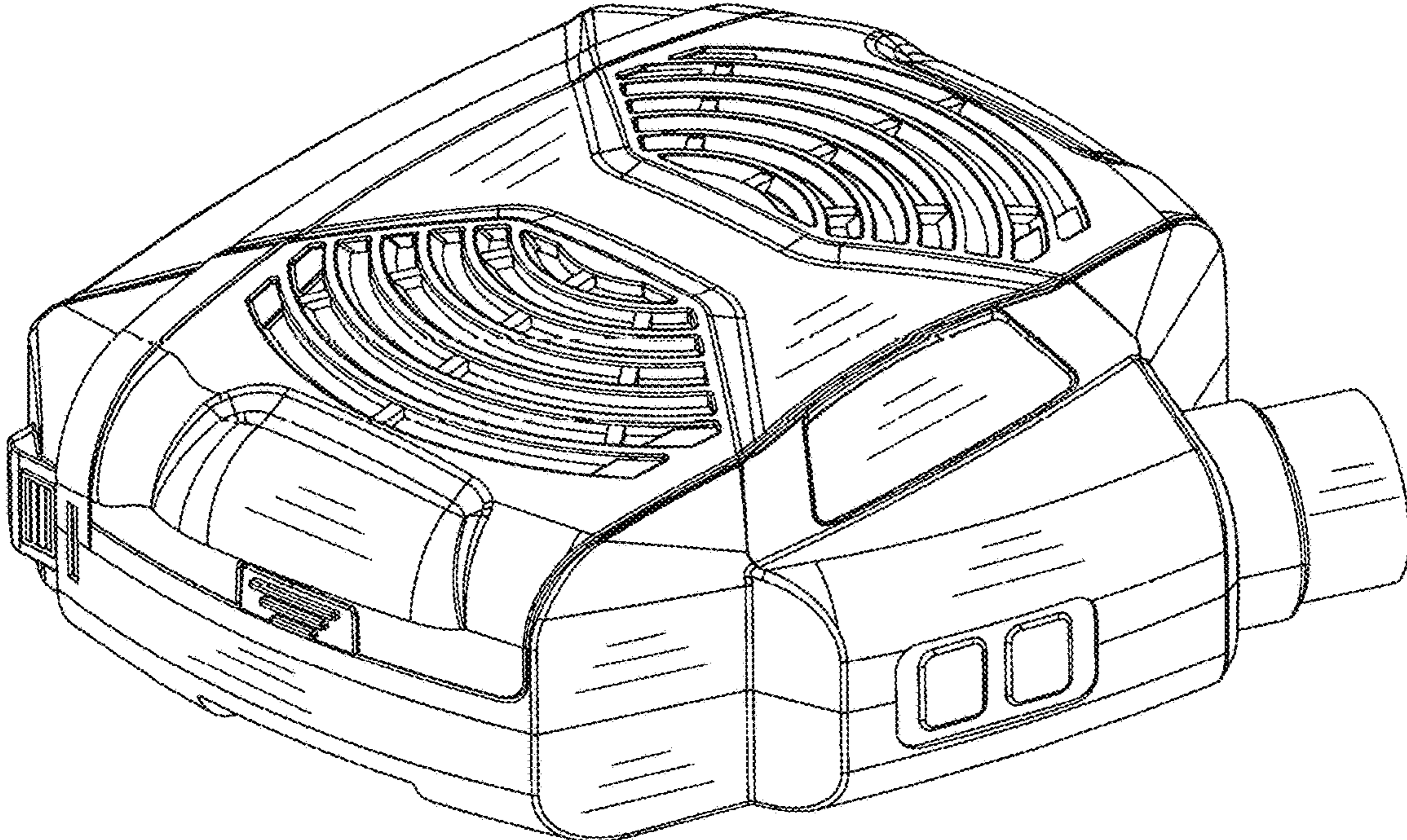


FIG. 9

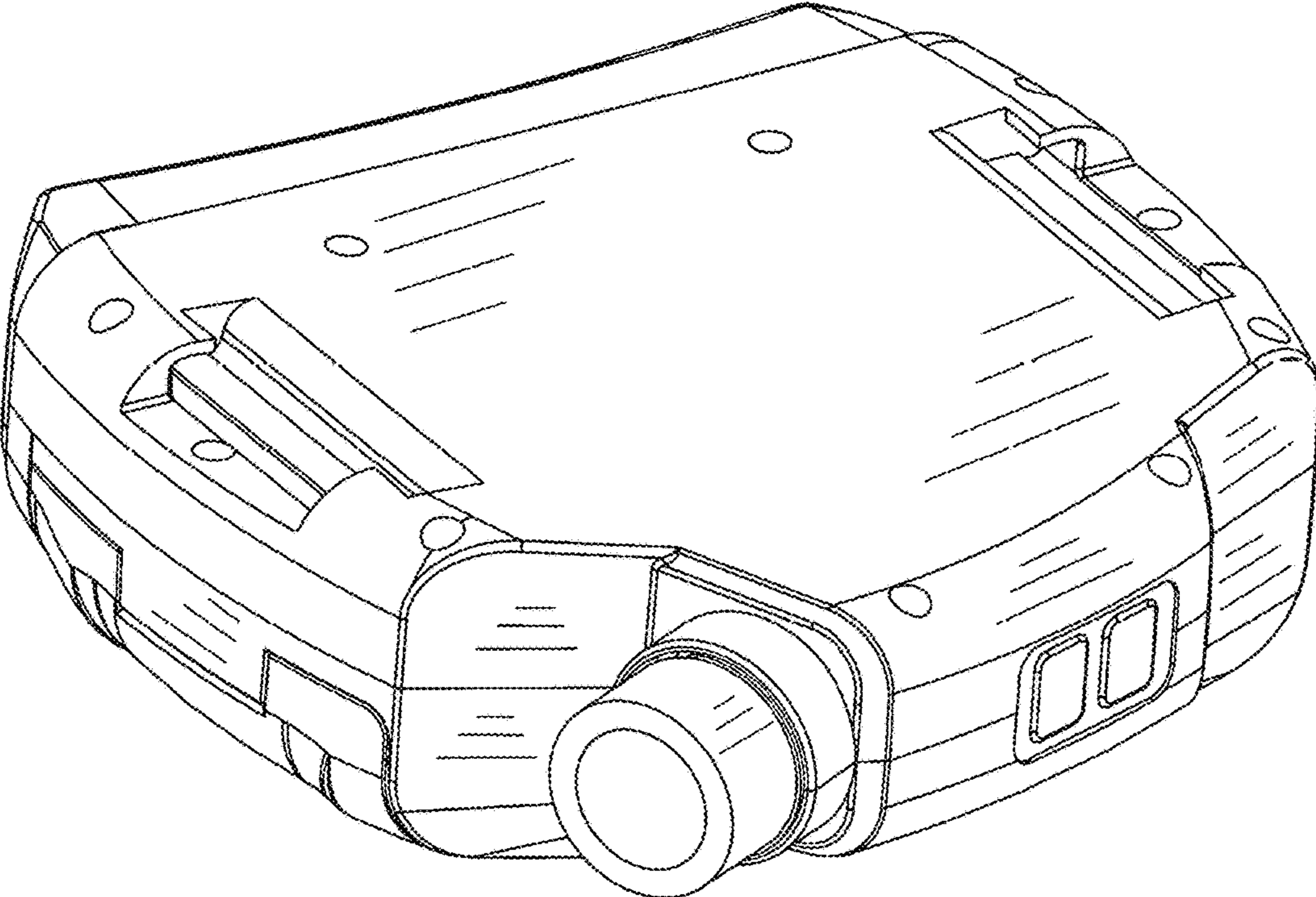


FIG. 10