

US00D809128S

(12) **United States Design Patent**  
**Djupesland**

(10) **Patent No.:** **US D809,128 S**  
(45) **Date of Patent:** **\*\* Jan. 30, 2018**

(54) **NOSEPIECE UNIT**

(71) Applicant: **OptiNose AS**, Oslo (NO)

(72) Inventor: **Per Gisle Djupesland**, Oslo (NO)

(73) Assignee: **OPTINOSE AS**, Oslo (NO)

(\*\*) Term: **15 Years**

(21) Appl. No.: **29/567,592**

(22) Filed: **Jun. 10, 2016**

**Related U.S. Application Data**

(63) Continuation of application No. 29/455,733, filed on May 23, 2013, now Pat. No. Des. 761,951.

(51) **LOC (11) Cl.** ..... **29-02**

(52) **U.S. Cl.**  
USPC ..... **D24/110**

(58) **Field of Classification Search**

USPC ..... D24/110; 128/200.13, 203.22, 203.23, 128/203.24, 207.18, 202.22, 203.12, 128/203.15, 203.21, 204.11, 204.12, 128/200.14, 200.23, 200.24, 201.23, 128/201.28, 203.18, 203.29

CPC .. A61M 15/08; A61M 11/00; A61M 15/0021; A61M 15/085; A61M 15/0098; A61M 2210/0625; A61M 15/0003; A61M 15/0015; A61M 15/002; A61M 15/0095; A61M 11/007; A61M 11/08; A61M 15/009; A61M 2202/0468; A61M 2202/064; A61M 2205/8281

See application file for complete search history.

(56) **References Cited**

**U.S. PATENT DOCUMENTS**

605,436 A 6/1898 Kellogg  
642,748 A 2/1900 Manners  
658,436 A 9/1900 Groth  
746,749 A 12/1903 Seidel

794,641 A 7/1905 Ramey  
902,832 A 11/1908 Philbrook  
5,797,392 A 8/1998 Keldmann et al.  
(Continued)

**FOREIGN PATENT DOCUMENTS**

WO WO 96/22802 8/1996  
WO WO 98/53869 12/1998  
(Continued)

*Primary Examiner* — Wan Laymon

*Assistant Examiner* — Mark Booker

(74) *Attorney, Agent, or Firm* — Finnegan, Henderson, Farabow, Garrett & Dunner, LLP

(57) **CLAIM**

I claim the ornamental design for a nosepiece unit, as shown and described.

**DESCRIPTION**

FIG. 1 is a front, top perspective view of a first embodiment of a nosepiece unit showing the new design;

FIG. 2 is a front elevation view thereof;

FIG. 3 is a rear elevation view thereof;

FIG. 4 is a left side view thereof;

FIG. 5 is a right side view thereof;

FIG. 6 is a top plan view thereof;

FIG. 7 is a bottom plan view thereof;

FIG. 8 is a front, top perspective view of a second embodiment showing the new design;

FIG. 9 is a front elevation view thereof;

FIG. 10 is a rear elevation view thereof;

FIG. 11 is a left side view thereof;

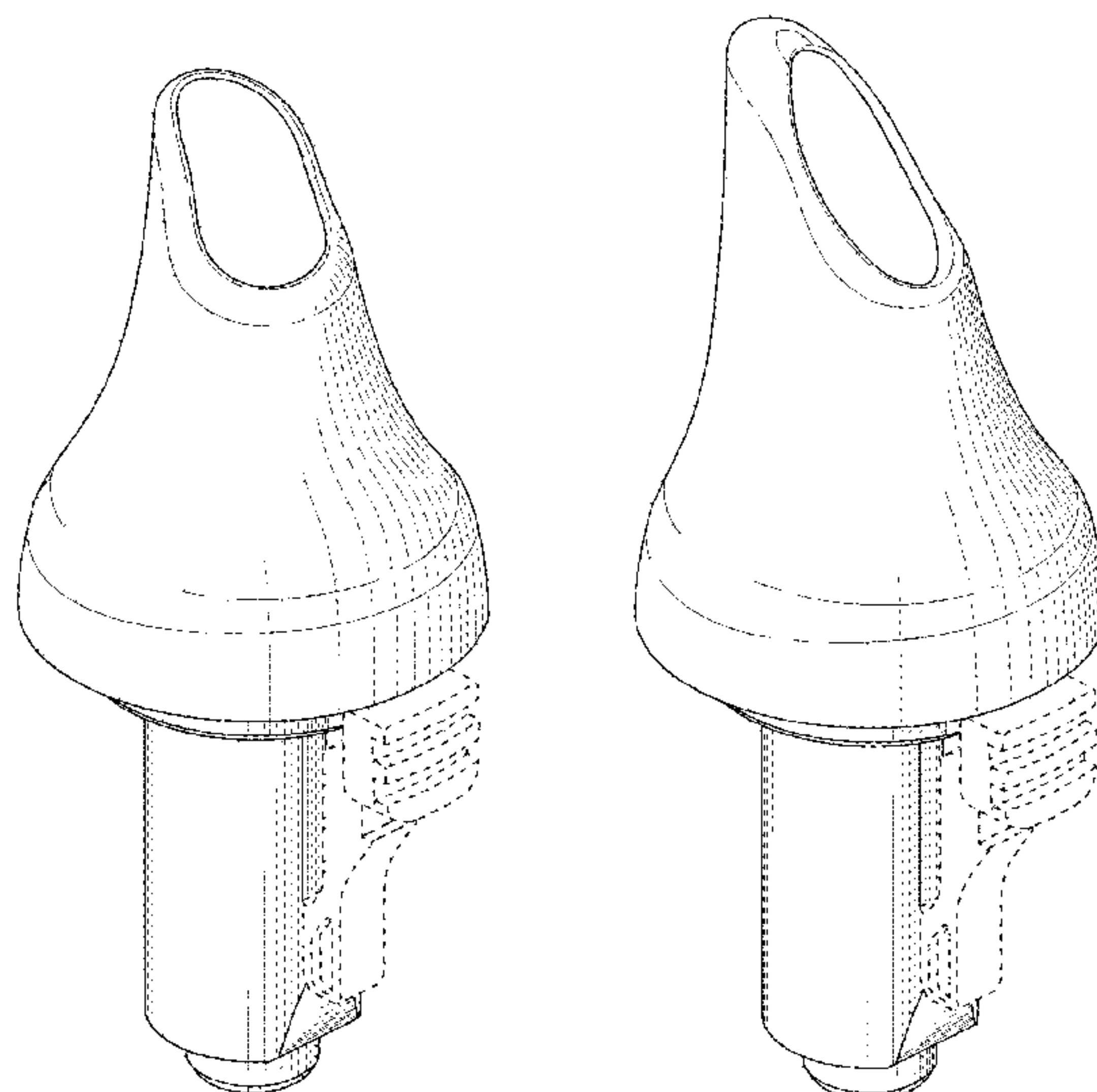
FIG. 12 is a right side view thereof;

FIG. 13 is a top plan view thereof; and,

FIG. 14 is a bottom plan view thereof.

The broken lines of even length shown in the drawings illustrate portions of the nosepiece unit that form no part of the claimed design.

**1 Claim, 14 Drawing Sheets**





(56)

References Cited

U.S. PATENT DOCUMENTS

6,648,848 B1	11/2003	Keldmann et al.		2008/0161771 A1	7/2008	Djupesland	
D483,115 S *	12/2003	Pasternak .....	D24/110	2008/0163874 A1	7/2008	Djupesland	
6,715,485 B1	4/2004	Djupesland		2008/0221471 A1	9/2008	Djupesland et al.	
D530,815 S *	10/2006	Murphy .....	D24/108	2008/0223363 A1	9/2008	Djupesland	
7,347,201 B2	3/2008	Djupesland		2008/0289629 A1	11/2008	Djupesland et al.	
7,377,901 B2	5/2008	Djupesland et al.		2009/0101146 A1	4/2009	Djupesland	
7,481,218 B2	1/2009	Djupesland		2009/0293873 A1	12/2009	Djupesland et al.	
7,543,581 B2	6/2009	Djupesland		2009/0304802 A1	12/2009	Djupesland et al.	
7,740,014 B2	6/2010	Djupesland		2009/0314293 A1	12/2009	Djupesland	
7,784,460 B2	8/2010	Djupesland et al.		2009/0320832 A1	12/2009	Djupesland	
7,841,337 B2	11/2010	Djupesland		2010/0035805 A1	2/2010	Hafner	
7,854,227 B2	12/2010	Djupesland		2010/0051022 A1	3/2010	Djupesland et al.	
7,934,503 B2	5/2011	Djupesland et al.		2010/0057047 A1	3/2010	Djupesland et al.	
7,975,690 B2	7/2011	Djupesland		2010/0242959 A1	9/2010	Djupesland et al.	
8,047,202 B2	11/2011	Djupesland		2010/0282246 A1	11/2010	Djupesland et al.	
8,146,589 B2	4/2012	Djupesland		2010/0288275 A1	11/2010	Djupesland et al.	
8,171,929 B2	5/2012	Djupesland et al.		2010/0300439 A1	12/2010	Djupesland et al.	
8,327,844 B2	12/2012	Djupesland		2010/0326441 A1 *	12/2010	Zucker .....	A61M 16/0666 128/204.18
8,511,303 B2	8/2013	Djupesland		2011/0023869 A1	2/2011	Djupesland	
8,522,778 B2	9/2013	Djupesland		2011/0053827 A1	3/2011	Hafner	
8,550,073 B2	10/2013	Djupesland		2011/0088690 A1	4/2011	Djupesland et al.	
8,555,877 B2	10/2013	Djupesland		2011/0088691 A1	4/2011	Djupesland	
8,555,878 B2	10/2013	Djupesland		2011/0114087 A1	5/2011	Djupesland et al.	
8,590,530 B2	11/2013	Djupesland et al.		2011/0126830 A1	6/2011	Djupesland et al.	
8,596,278 B2	12/2013	Djupesland		2011/0259329 A1	10/2011	Djupesland et al.	
8,800,555 B2	8/2014	Djupesland		2011/0318345 A1	12/2011	Djupesland	
8,875,704 B2	11/2014	Djupesland et al.		2012/0000459 A1	1/2012	Djupesland	
8,899,229 B2	12/2014	Djupesland et al.		2012/0006323 A1	1/2012	Djupesland	
8,910,629 B2	12/2014	Djupesland et al.		2012/0073571 A1	3/2012	Djupesland	
D723,156 S	2/2015	Djupesland et al.		2012/0090608 A1	4/2012	Djupesland et al.	
D725,769 S	3/2015	Djupesland et al.		2012/0260915 A1	10/2012	Djupesland	
8,978,647 B2	3/2015	Djupesland et al.		2013/0098362 A1	4/2013	Djupesland et al.	
9,010,325 B2	4/2015	Djupesland et al.		2013/0125889 A1	5/2013	Djupesland et al.	
9,038,630 B2	5/2015	Djupesland et al.		2013/0327320 A1	12/2013	Djupesland	
9,067,034 B2	6/2015	Djupesland et al.		2014/0018295 A1	1/2014	Djupesland	
9,072,857 B2	7/2015	Djupesland		2014/0041660 A1	2/2014	Djupesland et al.	
9,108,015 B2	8/2015	Djupesland		2014/0060536 A1	3/2014	Djupesland	
9,119,932 B2	9/2015	Djupesland		2014/0073562 A1	3/2014	Djupesland	
9,132,249 B2	9/2015	Djupesland		2014/0096770 A1 *	4/2014	Neff .....	A61M 16/0666 128/203.15
9,144,652 B2	9/2015	Djupesland et al.		2014/0144442 A1	5/2014	Djupesland et al.	
9,168,341 B2	10/2015	Djupesland		2014/0144443 A1	5/2014	Djupesland et al.	
9,205,208 B2	12/2015	Djupesland		2014/0166008 A1 *	6/2014	Djupesland .....	A61M 11/00 128/203.18
9,205,209 B2	12/2015	Djupesland		2014/0202456 A1	7/2014	Djupesland	
9,272,104 B2	3/2016	Djupesland		2014/0246022 A1	9/2014	Djupesland et al.	
D759,805 S	6/2016	Djupesland		2015/0007811 A1	1/2015	Djupesland et al.	
D761,951 S	7/2016	Djupesland		2015/0013670 A1	1/2015	Djupesland et al.	
9,452,272 B2	9/2016	Djupesland et al.		2015/0013677 A1	1/2015	Djupesland et al.	
9,468,727 B2	10/2016	Djupesland		2015/0053201 A1	2/2015	Djupesland et al.	
D773,644 S	12/2016	Djupesland		2015/0090259 A1	4/2015	Djupesland et al.	
9,522,243 B2	12/2016	Djupesland		2015/0101605 A1	4/2015	Djupesland et al.	
9,566,402 B2	2/2017	Djupesland		2015/0144129 A1	5/2015	Djupesland et al.	
9,649,456 B2	5/2017	Djupesland et al.		2015/0165139 A1	6/2015	Hafner	
2004/0024330 A1	2/2004	Djupesland et al.		2015/0182709 A1	7/2015	Djupesland	
2004/0112378 A1	6/2004	Djupesland		2015/0246194 A1	9/2015	Djupesland et al.	
2004/0112379 A1	6/2004	Djupesland		2015/0367090 A1	12/2015	Djupesland et al.	
2004/0112380 A1	6/2004	Djupesland		2015/0367091 A1	12/2015	Djupesland et al.	
2004/0149289 A1	8/2004	Djupesland		2016/0001022 A1	1/2016	Djupesland et al.	
2004/0182388 A1	9/2004	Djupesland		2016/0045687 A1	2/2016	Djupesland	
2005/0028812 A1 *	2/2005	Djupesland .....	A61M 15/0091 128/200.21	2016/0051778 A1	2/2016	Djupesland et al.	
2005/0072430 A1	4/2005	Djupesland		2016/0074603 A1	3/2016	Djupesland et al.	
2005/0235992 A1	10/2005	Djupesland		2016/0082206 A1	3/2016	Djupesland et al.	
2006/0096589 A1	5/2006	Djupesland		2016/0082207 A1	3/2016	Djupesland et al.	
2006/0107957 A1	5/2006	Djupesland		2016/0095993 A1	4/2016	Djupesland	
2006/0169278 A1	8/2006	Djupesland et al.		2016/0166788 A1	6/2016	Djupesland et al.	
2006/0219240 A1	10/2006	Djupesland		2016/0184537 A1	6/2016	Djupesland	
2006/0219241 A1	10/2006	Djupesland		2016/0193435 A1	7/2016	Djupesland	
2006/0225732 A1	10/2006	Djupesland		2016/0250408 A1	9/2016	Djupesland	
2006/0231094 A1	10/2006	Djupesland		2016/0263334 A1	9/2016	Djupesland	
2007/0039614 A1	2/2007	Djupesland		2016/0279357 A1	9/2016	Djupesland	
2007/0125371 A1	6/2007	Djupesland		2016/0310683 A1	10/2016	Djupesland et al.	
2007/0186927 A1 *	8/2007	Djupesland .....	A61M 15/00 128/203.15	2016/0331916 A1	11/2016	Djupesland et al.	
2008/0092904 A1 *	4/2008	Gunaratnam .....	A61M 16/0666 128/207.18	2016/0367771 A1	12/2016	Djupesland	
				2016/0367772 A1	12/2016	Djupesland	
				2016/0367774 A1	12/2016	Djupesland et al.	

(56)

**References Cited**

U.S. PATENT DOCUMENTS

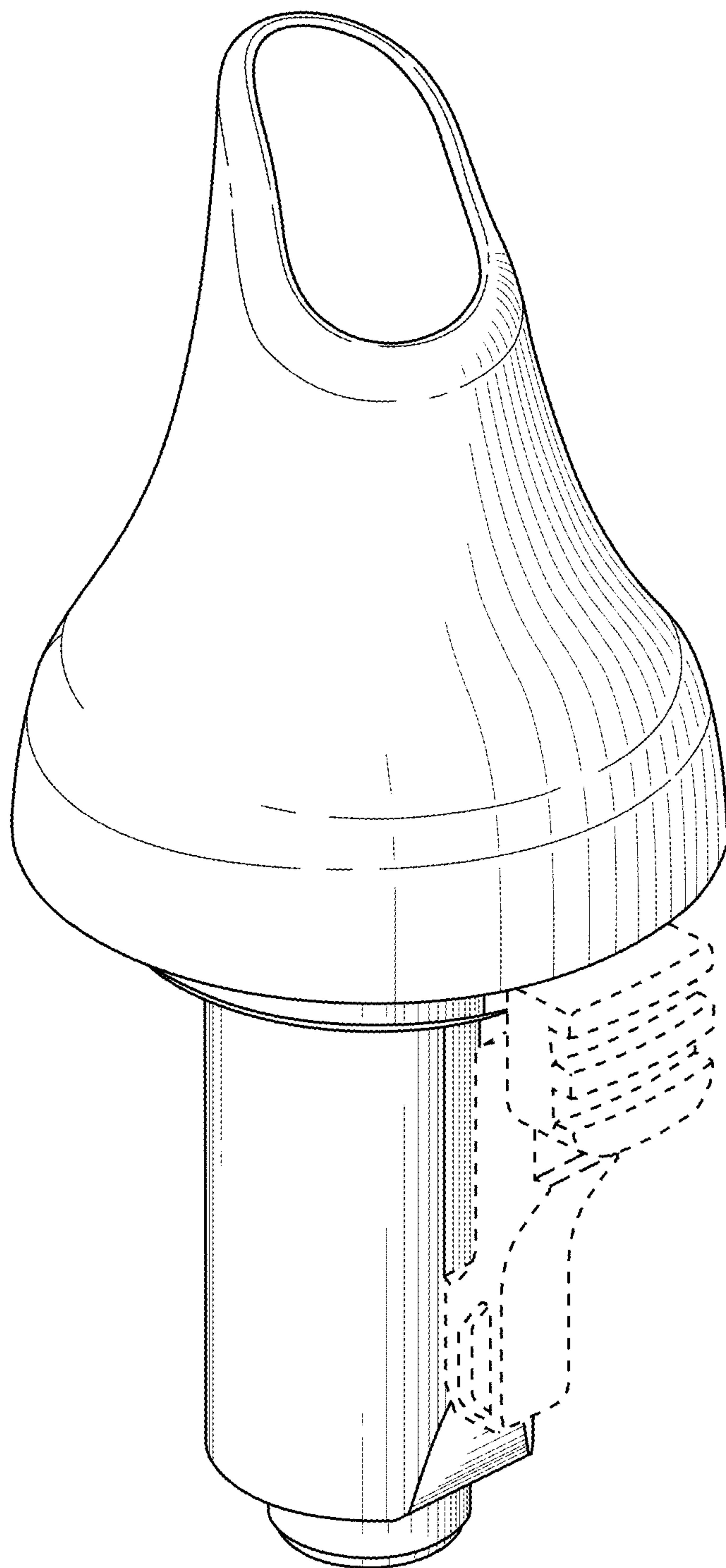
2017/0043108 A1 2/2017 Djupesland et al.  
 2017/0151397 A1 6/2017 Djupesland

FOREIGN PATENT DOCUMENTS

WO WO 00/51672 9/2000  
 WO WO 01/97689 12/2001  
 WO WO 02/068029 9/2002  
 WO WO 02/068030 9/2002  
 WO WO 02/068031 9/2002  
 WO WO 02/068032 9/2002  
 WO WO 03/000310 1/2003  
 WO WO 03/020350 3/2003  
 WO WO 03/082393 10/2003  
 WO WO 03/084591 10/2003  
 WO WO 03/090812 11/2003  
 WO WO 2004/004814 1/2004  
 WO WO 2004/004922 1/2004  
 WO WO 2004/060433 7/2004  
 WO WO 2004/103447 12/2004  
 WO WO 2005/016423 2/2005  
 WO WO 2005/021059 3/2005

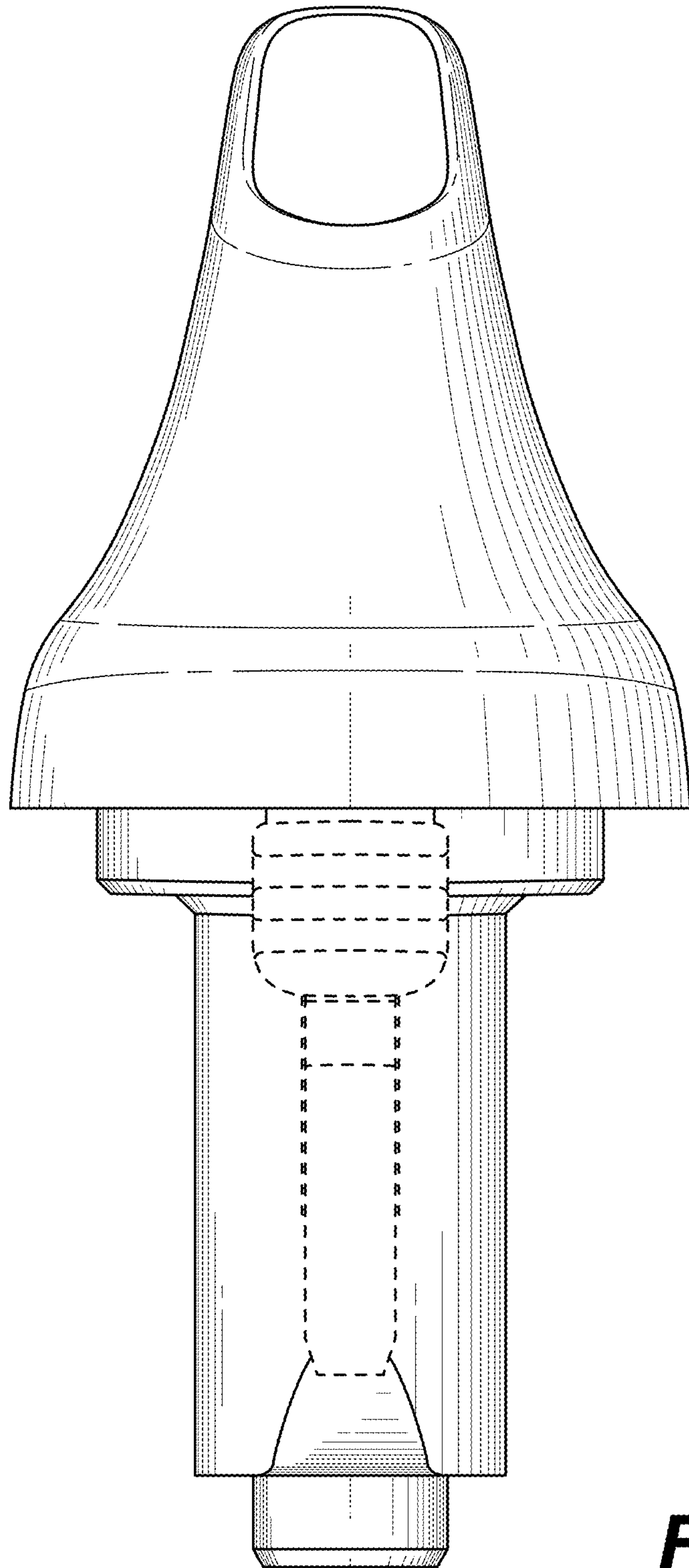
WO WO 2006/030210 3/2006  
 WO WO 2006/090149 8/2006  
 WO WO 2007/083073 7/2007  
 WO WO 2007/093784 8/2007  
 WO WO 2007/093791 8/2007  
 WO WO 2007/099361 9/2007  
 WO WO 2007/102089 9/2007  
 WO WO 2007/107887 9/2007  
 WO WO 2007/125318 11/2007  
 WO WO 2007/141541 12/2007  
 WO WO 2008/012531 1/2008  
 WO WO 2008/065403 6/2008  
 WO WO 2008/081326 7/2008  
 WO WO 2008/081327 7/2008  
 WO WO 2008/122791 10/2008  
 WO WO 2008/122795 10/2008  
 WO WO 2009/044172 4/2009  
 WO WO 2010/029441 3/2010  
 WO WO 2012/035427 3/2012  
 WO WO 2012/123819 9/2012  
 WO WO 2013/124491 8/2013  
 WO WO 2013/124492 8/2013  
 WO WO 2013/124493 8/2013  
 WO WO 2014/155192 10/2014

\* cited by examiner

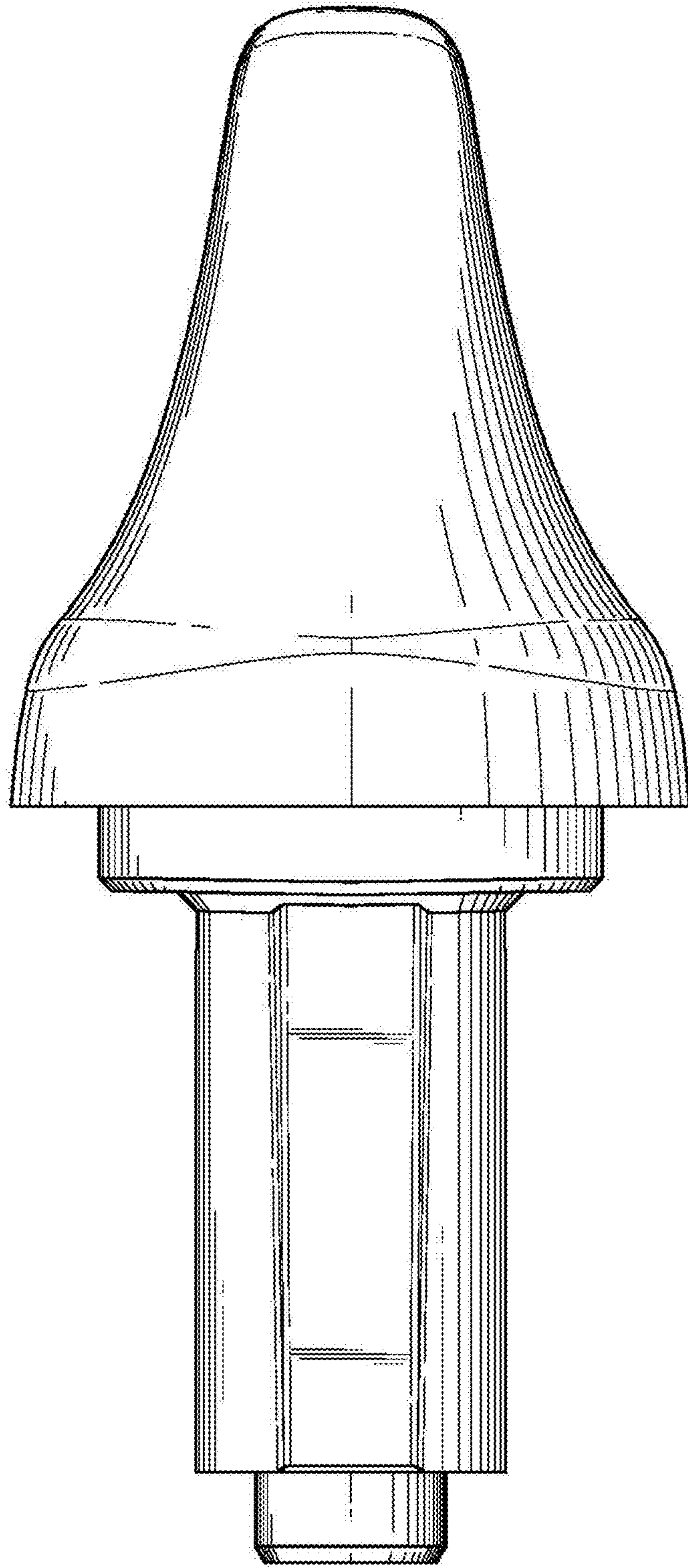


**FIG. 1**

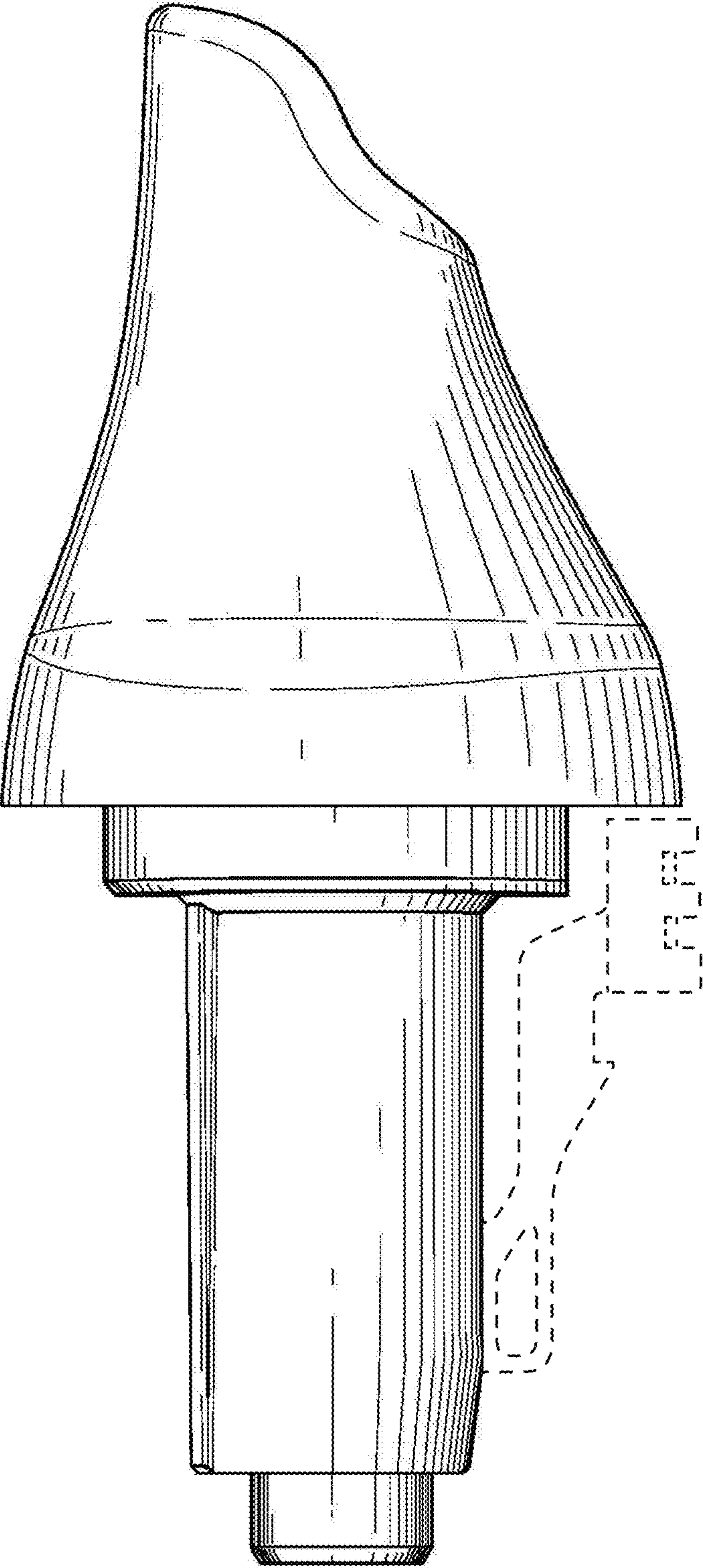




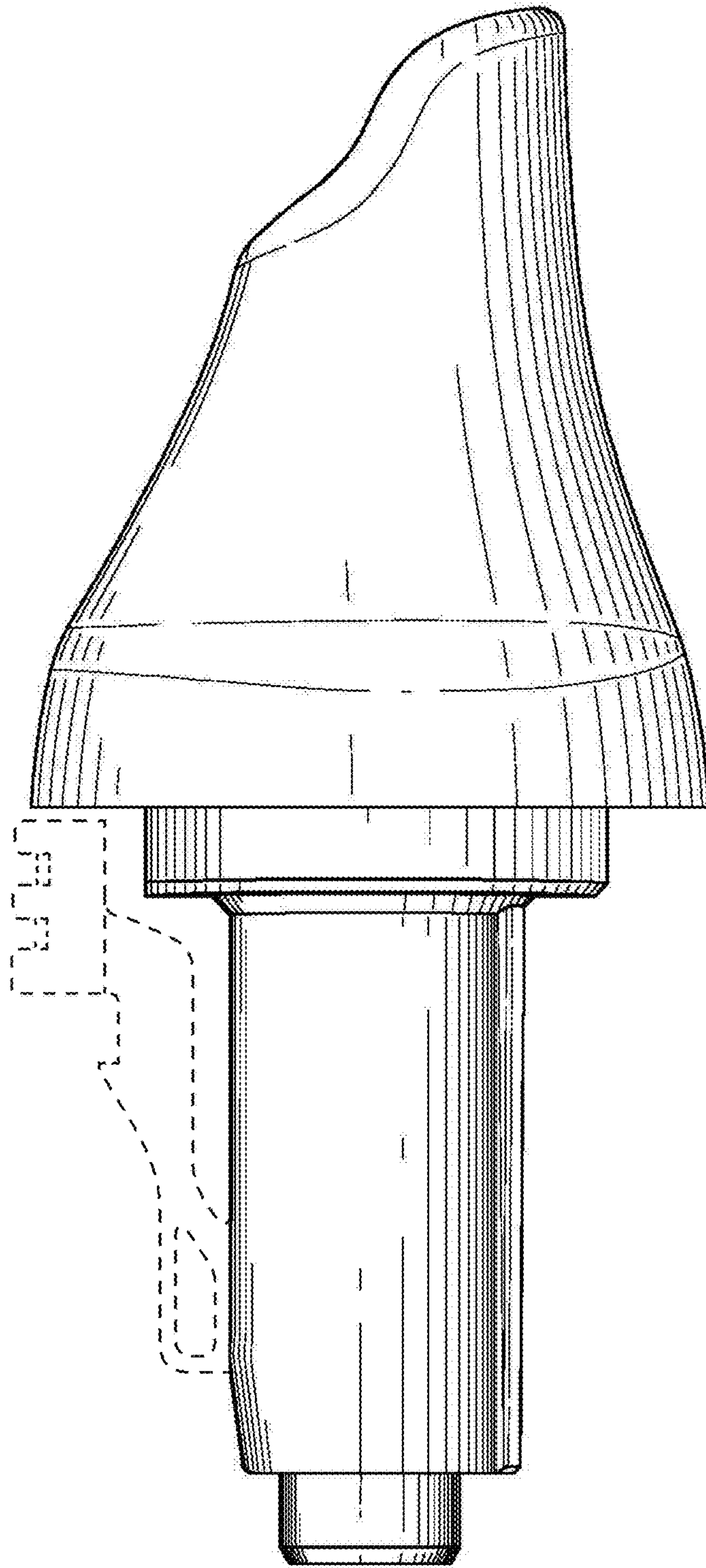
**FIG. 2**



**FIG. 3**

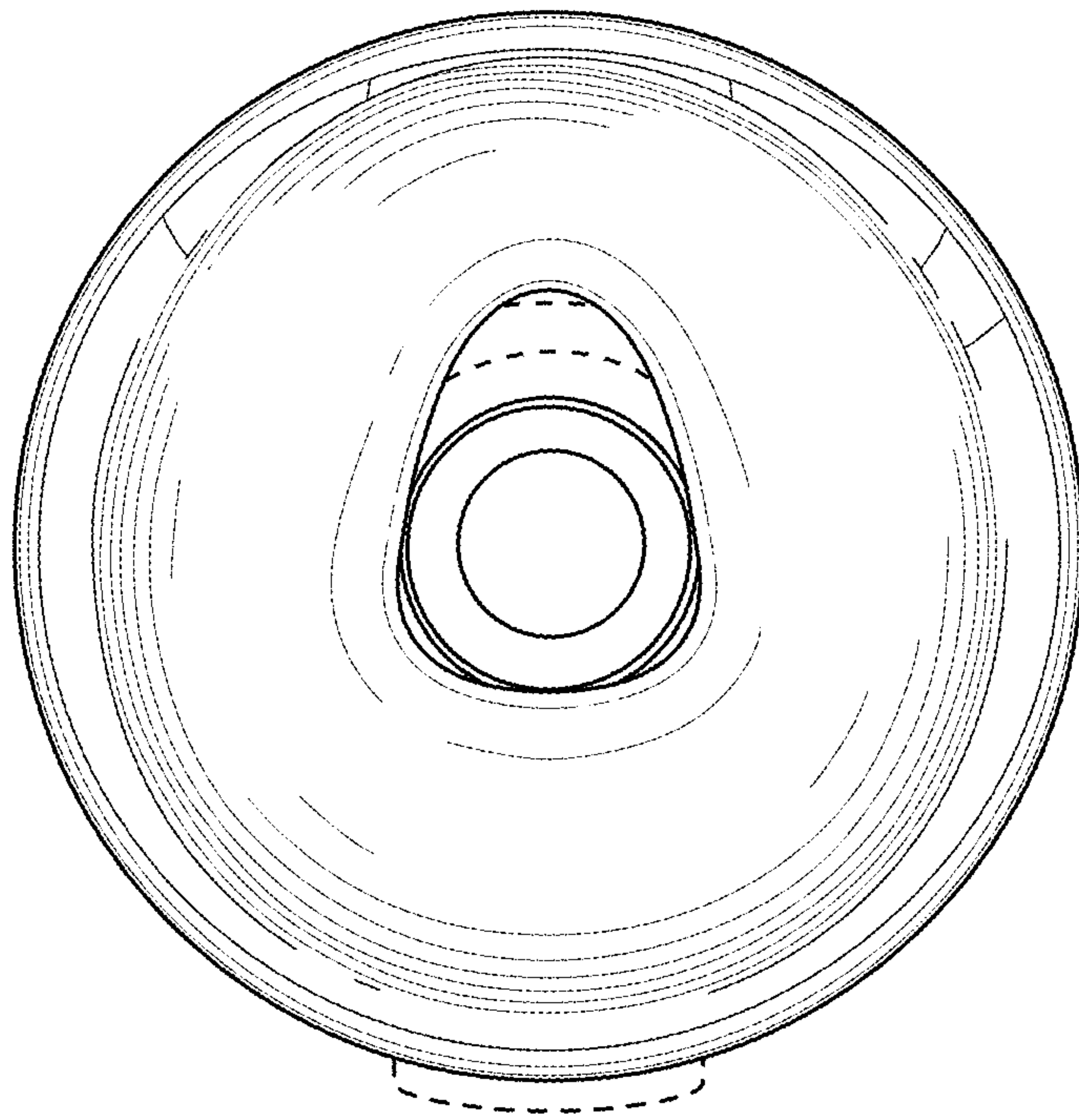


**FIG. 4**

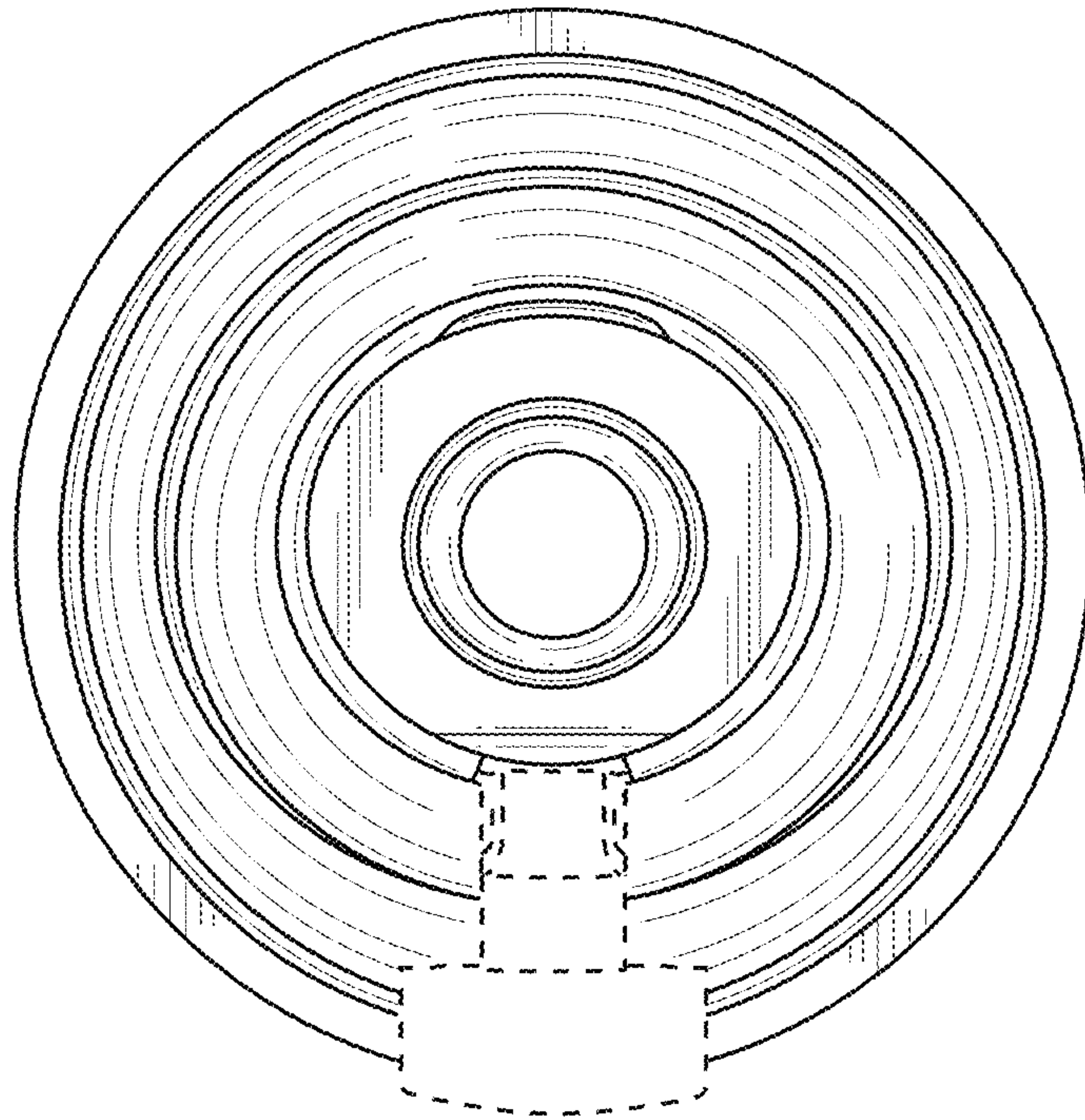


**FIG. 5**

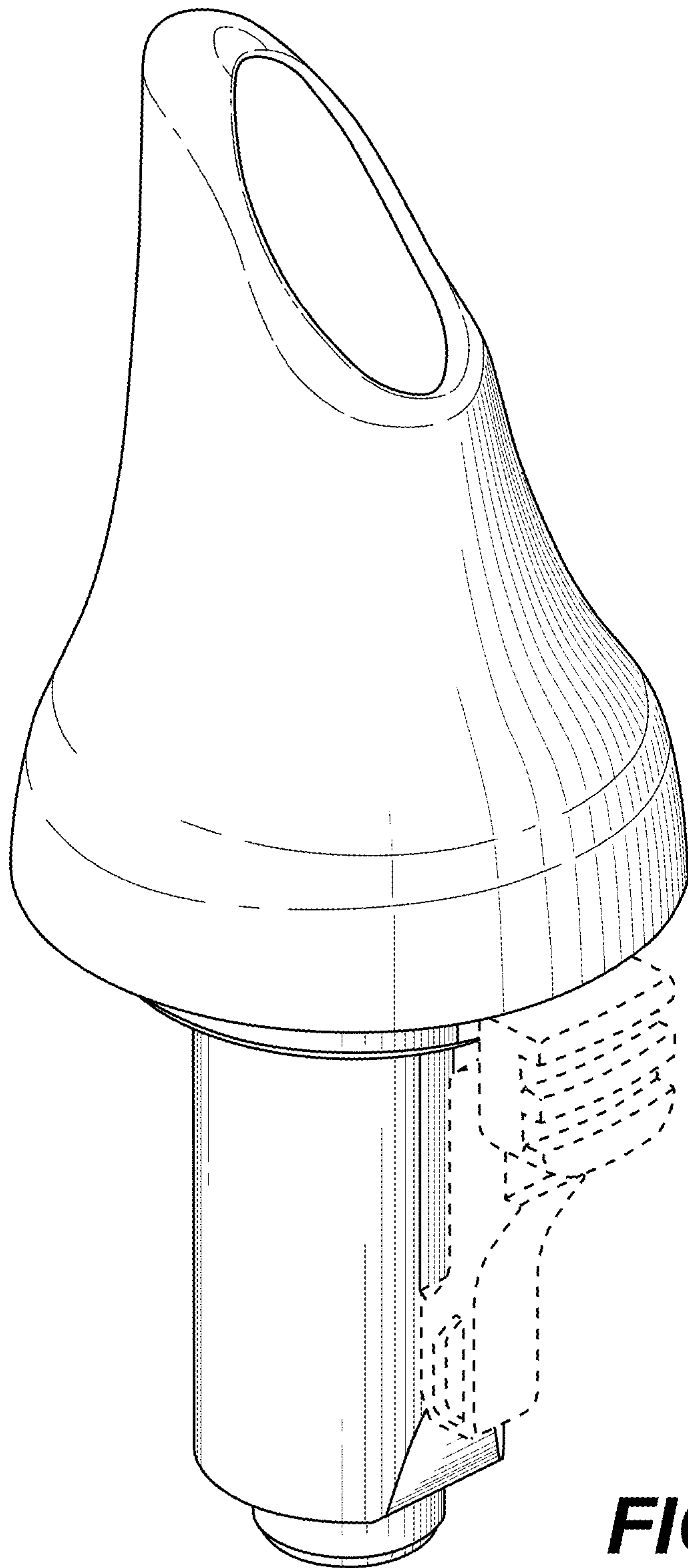




**FIG. 6**

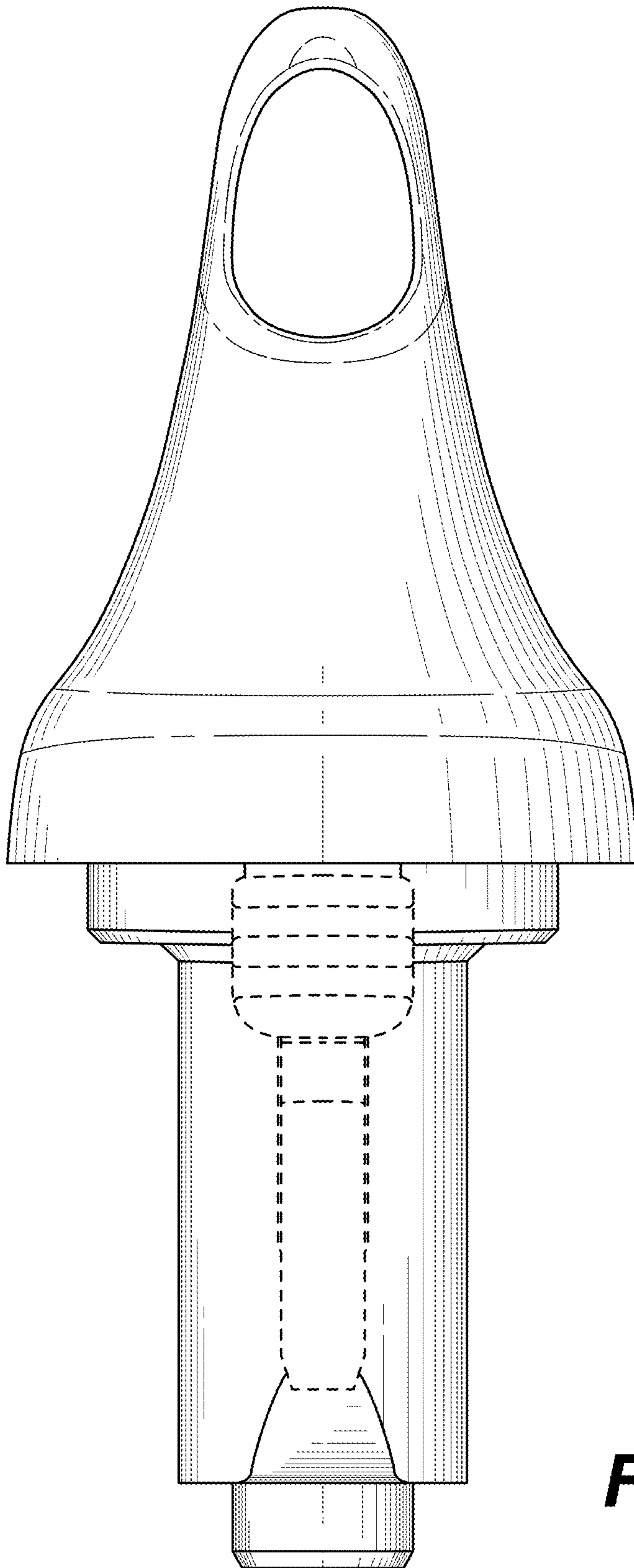


**FIG. 7**

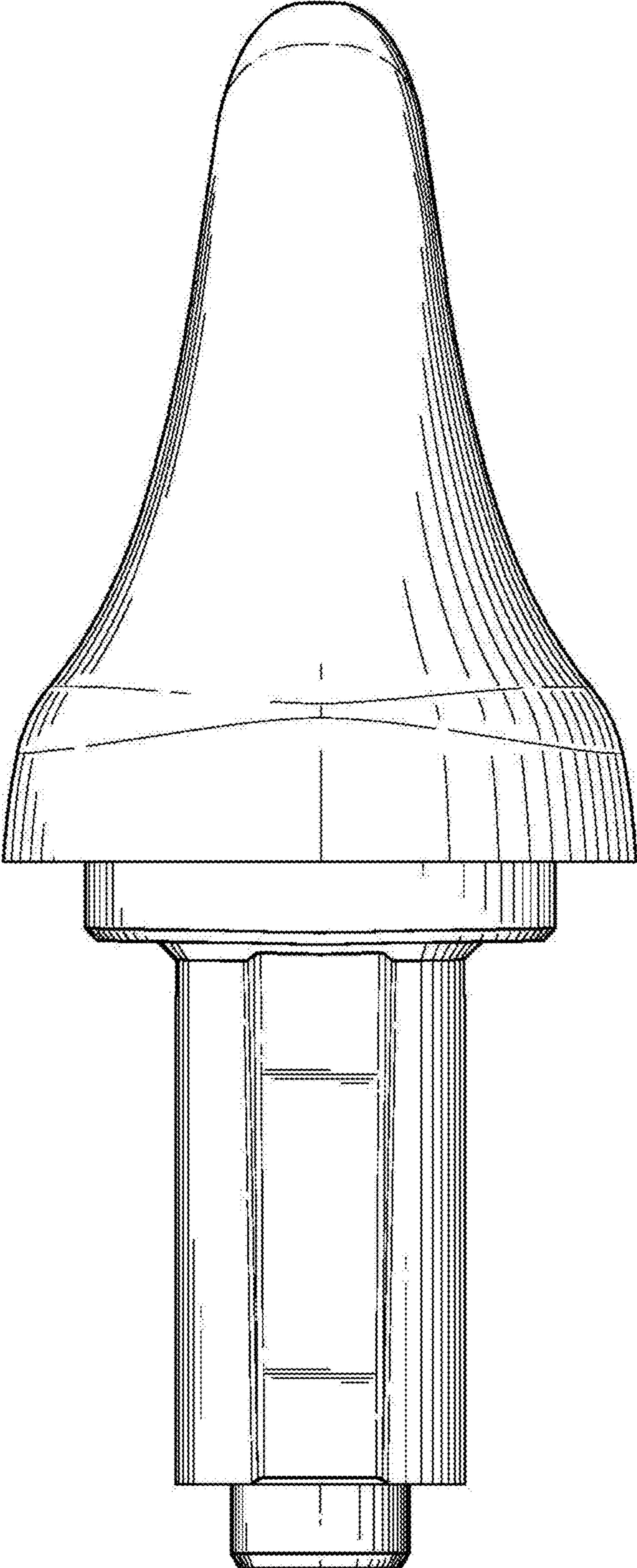


**FIG. 8**

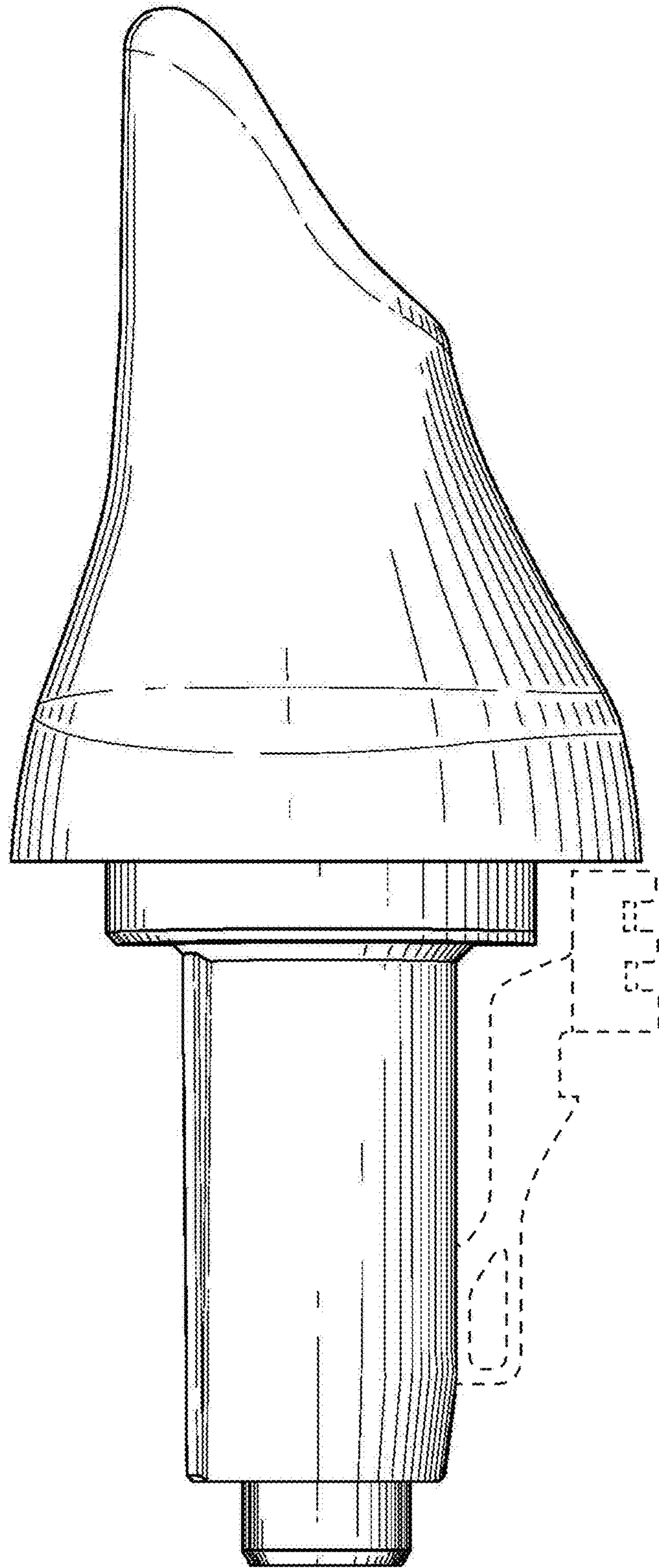




**FIG. 9**

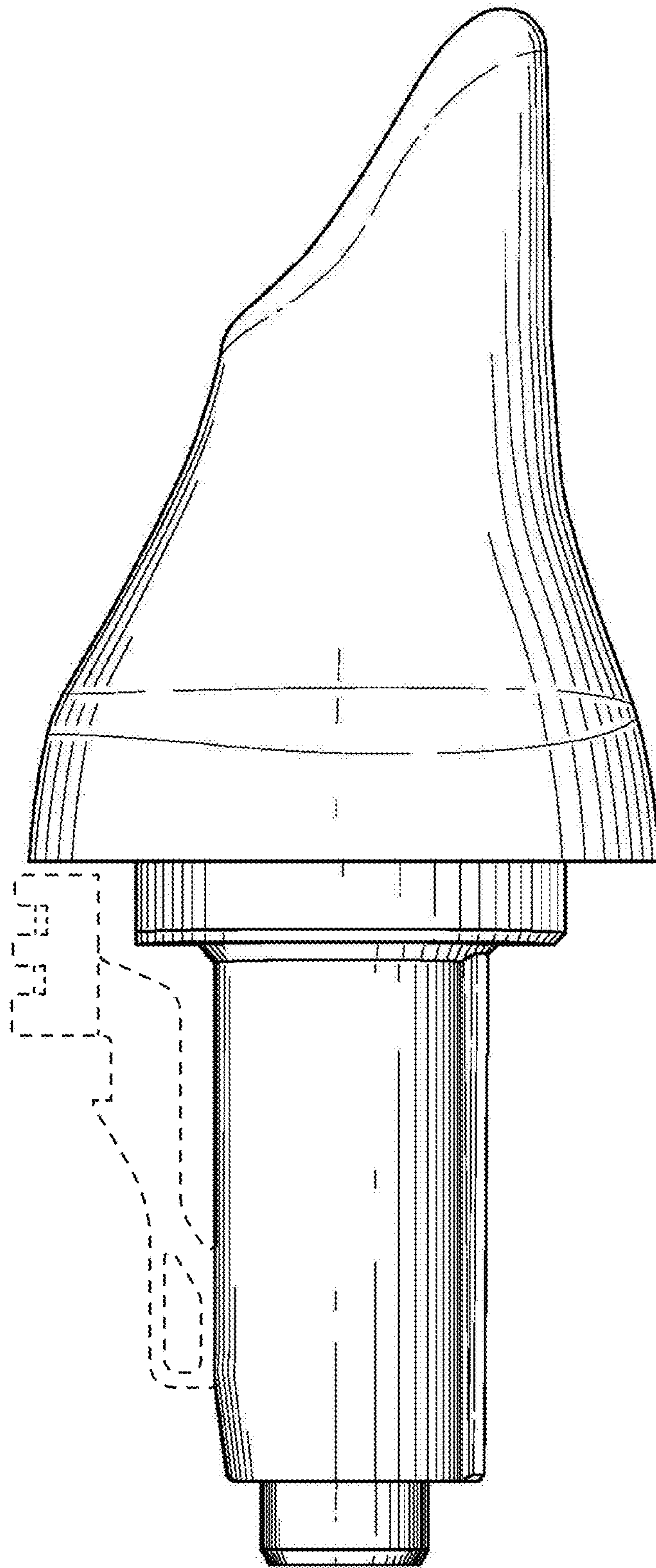


**FIG. 10**

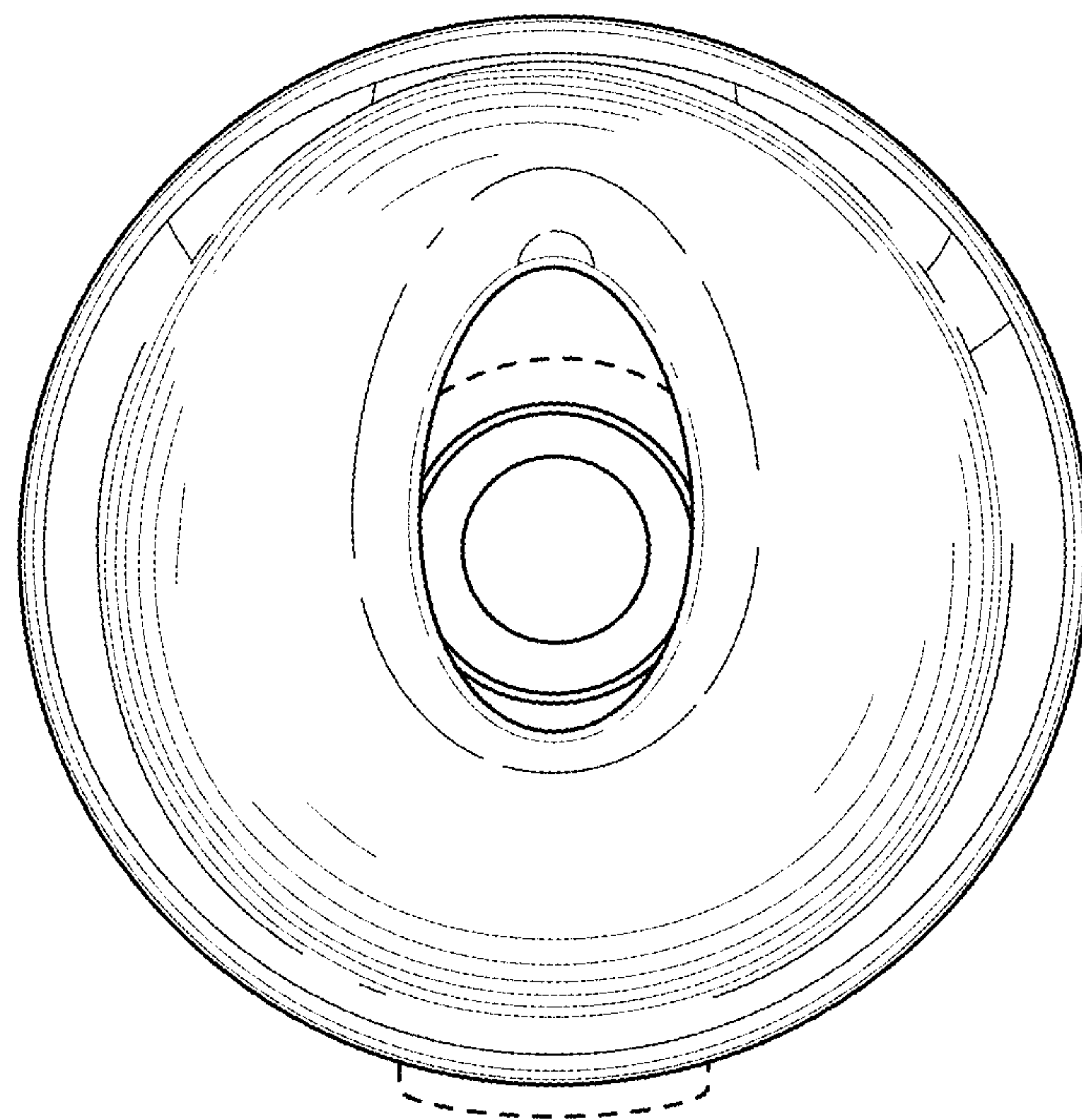


**FIG. 11**

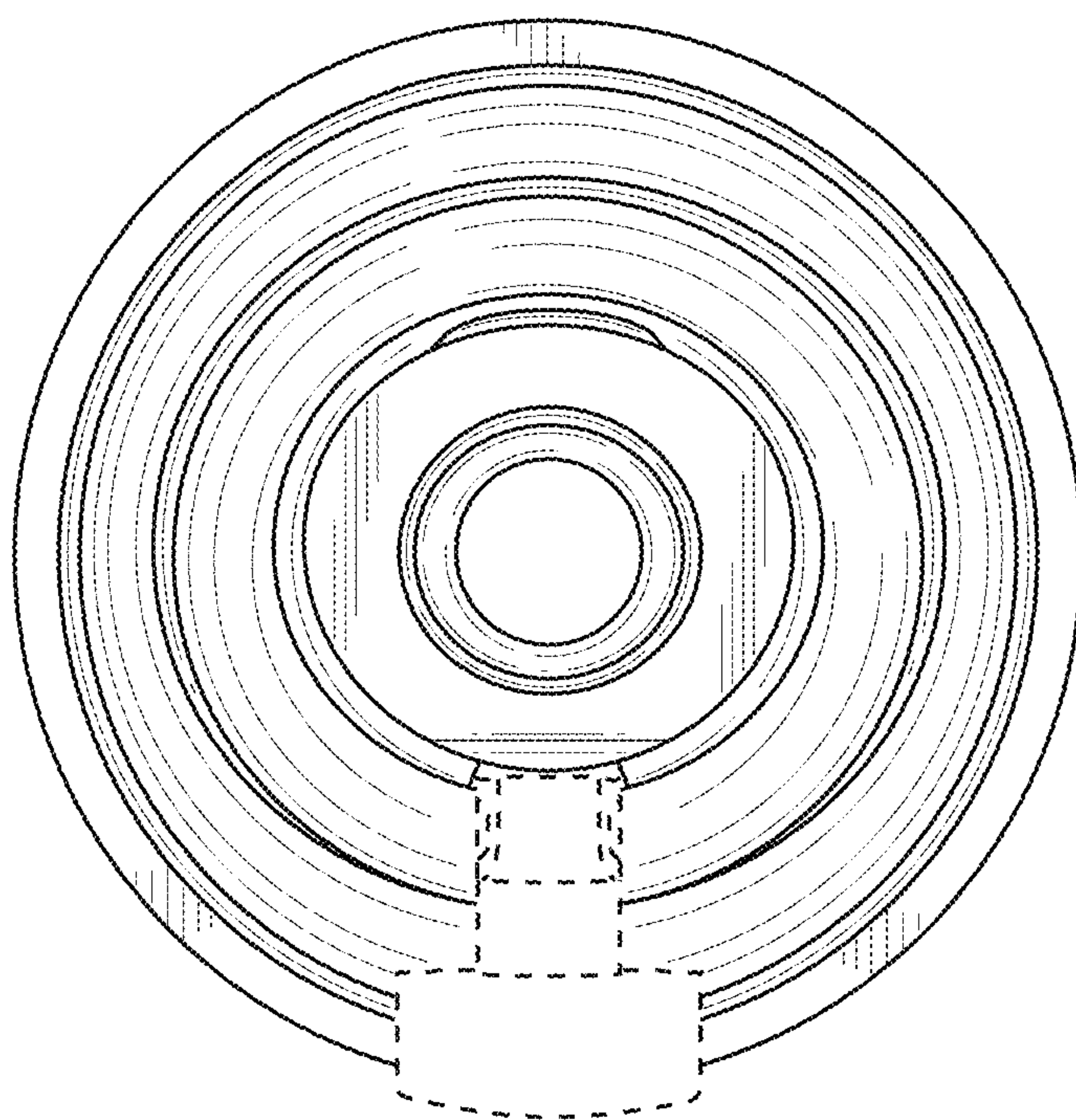




**FIG. 12**



**FIG. 13**



**FIG. 14**