



US00D809127S

(12) **United States Design Patent** (10) **Patent No.:** **US D809,127 S**  
**Atkin et al.** (45) **Date of Patent:** **\*\* Jan. 30, 2018**

(54) **INHALER REFILL ASSEMBLY**  
(71) Applicant: **3M INNOVATIVE PROPERTIES COMPANY**, St. Paul, MN (US)  
(72) Inventors: **Marcus D. Atkin**, Coalville (GB);  
**Steven M. Wick**, Stillwater, MN (US)

8,082,918 B2 12/2011 Jansen  
D657,446 S \* 4/2012 Herfort ..... D24/110  
D657,447 S \* 4/2012 Herfort ..... D24/110  
D657,448 S \* 4/2012 Herfort ..... D24/110  
D716,936 S \* 11/2014 Jensen ..... D24/110  
9,572,945 B2 \* 2/2017 Duignan ..... A61M 15/009  
9,656,032 B2 \* 5/2017 Lu ..... A61M 15/0073

(Continued)

(73) Assignee: **3M Innovative Properties Company**,  
St. Paul, MN (US)

**FOREIGN PATENT DOCUMENTS**

GB 2385845 3/2006

(\*\*) Term: **15 Years**

**OTHER PUBLICATIONS**

(21) Appl. No.: **29/560,316**

(22) Filed: **Apr. 5, 2016**

(51) **LOC (11) Cl.** ..... **29-02**

(52) **U.S. Cl.**  
USPC ..... **D24/110**

(58) **Field of Classification Search**  
USPC ..... D24/107, 108, 110, 110.5, 127, 164  
CPC ..... A61M 15/0001; A61M 15/00; A61M  
15/0065; A61M 15/0091; A61M 15/0026;  
A61M 11/00; A61M 11/02; A61M 11/04;  
A61M 15/0068; A61M 15/0071  
See application file for complete search history.

3M Unveils Intelligent Inhaler Designed to Help Control Spiraling Costs of Respiratory Disease. Business Wire. Date published: Apr. 19, 2016. <<http://www.businesswire.com/news/home/20160419006564/en/3M-Unveils-Intelligent-Inhaler-Designed-Control-Spiraling>>.\*

*Primary Examiner* — Barbara Fox  
*Assistant Examiner* — Lilyana Bekic

(57) **CLAIM**

The ornamental design for an inhaler refill assembly, as shown and described.

(56) **References Cited**

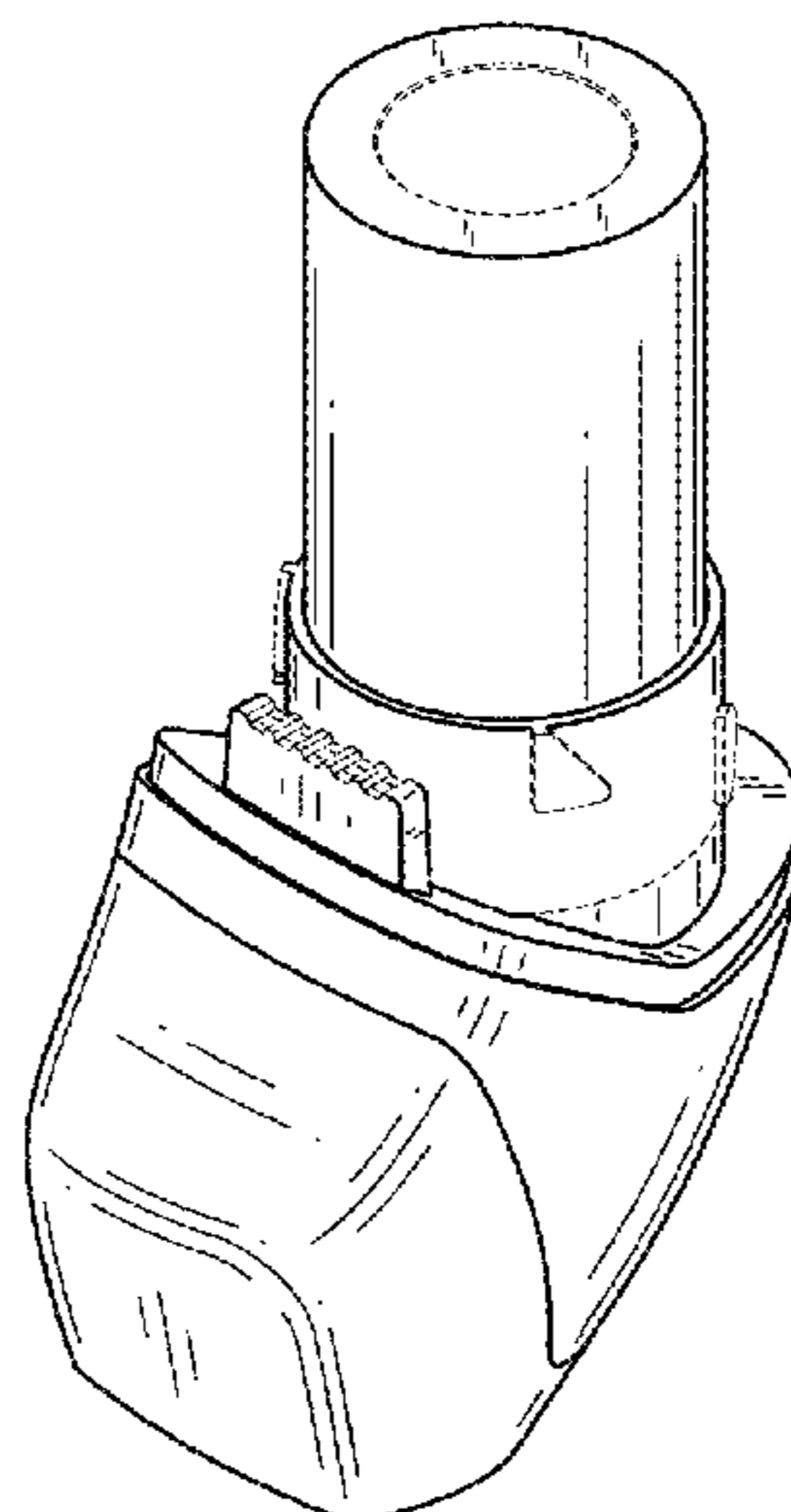
**DESCRIPTION**

**U.S. PATENT DOCUMENTS**

2,385,845 A 10/1945 Schairer  
D311,443 S \* 10/1990 Long ..... D24/110  
5,394,866 A 3/1995 Ritson  
D449,882 S \* 10/2001 Christrup ..... D24/110  
D455,208 S \* 4/2002 Bacon ..... D24/110  
D473,298 S \* 4/2003 Bowman ..... D24/110  
6,637,432 B2 10/2003 Wakefield  
7,219,664 B2 5/2007 Ruckdeschel  
7,721,731 B2 \* 5/2010 Bacon ..... A61M 15/0091  
128/200.14  
D629,504 S \* 12/2010 Zuyderhoudt ..... D24/110  
D629,507 S \* 12/2010 Zuyderhoudt ..... D24/110.5  
D629,508 S \* 12/2010 Zuyderhoudt ..... D24/110.5  
D629,889 S \* 12/2010 Zuyderhoudt ..... D24/110.5

FIG. 1 is a front isometric view of an inhaler refill assembly, showing the new design;  
FIG. 2 is a front elevational view thereof;  
FIG. 3 is a rear elevational view thereof;  
FIG. 4 is a right side elevational view thereof, the left side elevational view being a mirror image of the right side elevational view;  
FIG. 5 is a top plan view thereof; and,  
FIG. 6 is a bottom plan view thereof.  
The broken lines in the drawings illustrate portions of the inhaler refill assembly that form no part of the claimed design.

**1 Claim, 2 Drawing Sheets**



(56)

**References Cited**

U.S. PATENT DOCUMENTS

2004/0069301 A1\* 4/2004 Bacon ..... A61M 15/0091  
128/200.23  
2006/0175345 A1\* 8/2006 Lu ..... A61M 15/009  
222/23  
2007/0284383 A1\* 12/2007 Wright ..... G06M 1/00  
221/7  
2008/0178872 A1\* 7/2008 Genova ..... A61M 15/0065  
128/200.23  
2010/0192946 A1\* 8/2010 Oi ..... A61M 15/009  
128/200.23  
2014/0311484 A1\* 10/2014 Duignan ..... A61M 15/009  
128/200.23  
2016/0038696 A1\* 2/2016 Duignan ..... A61M 15/0026  
128/200.23  
2016/0271345 A1\* 9/2016 Blair ..... A61M 15/0065

\* cited by examiner

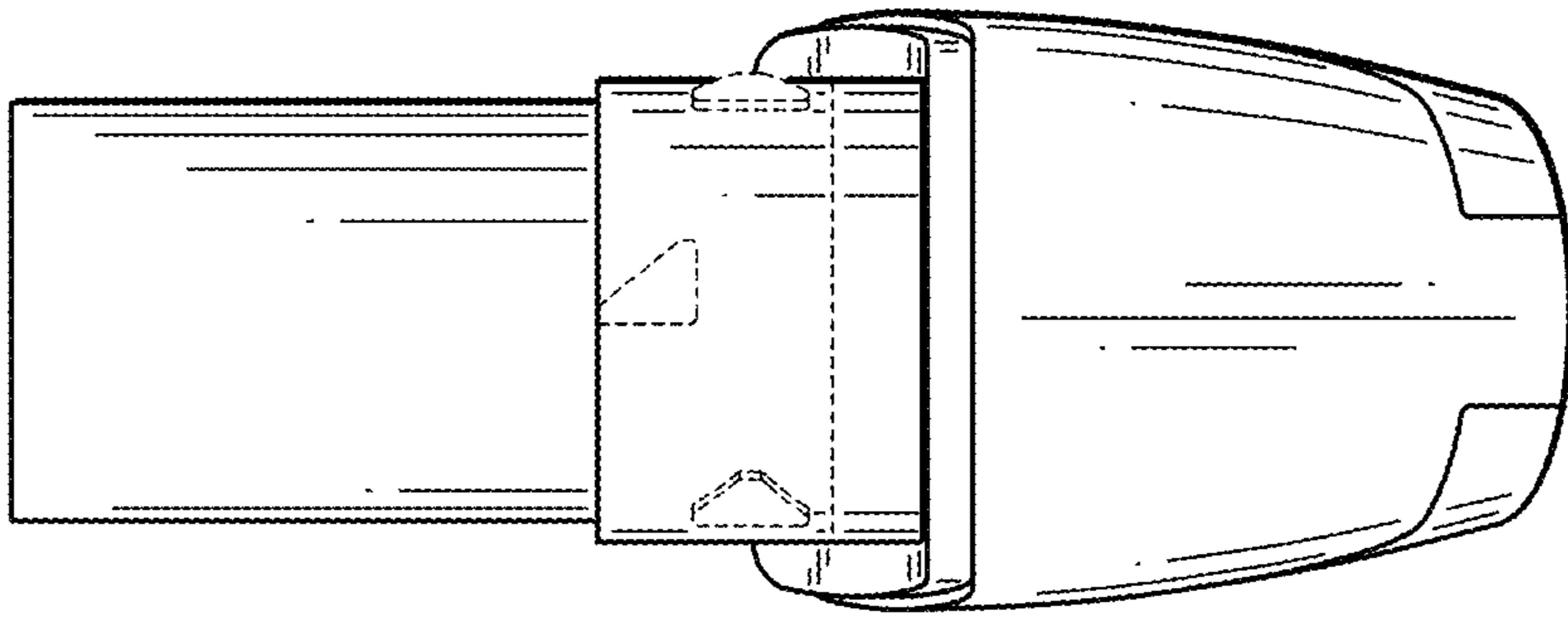


FIG. 3

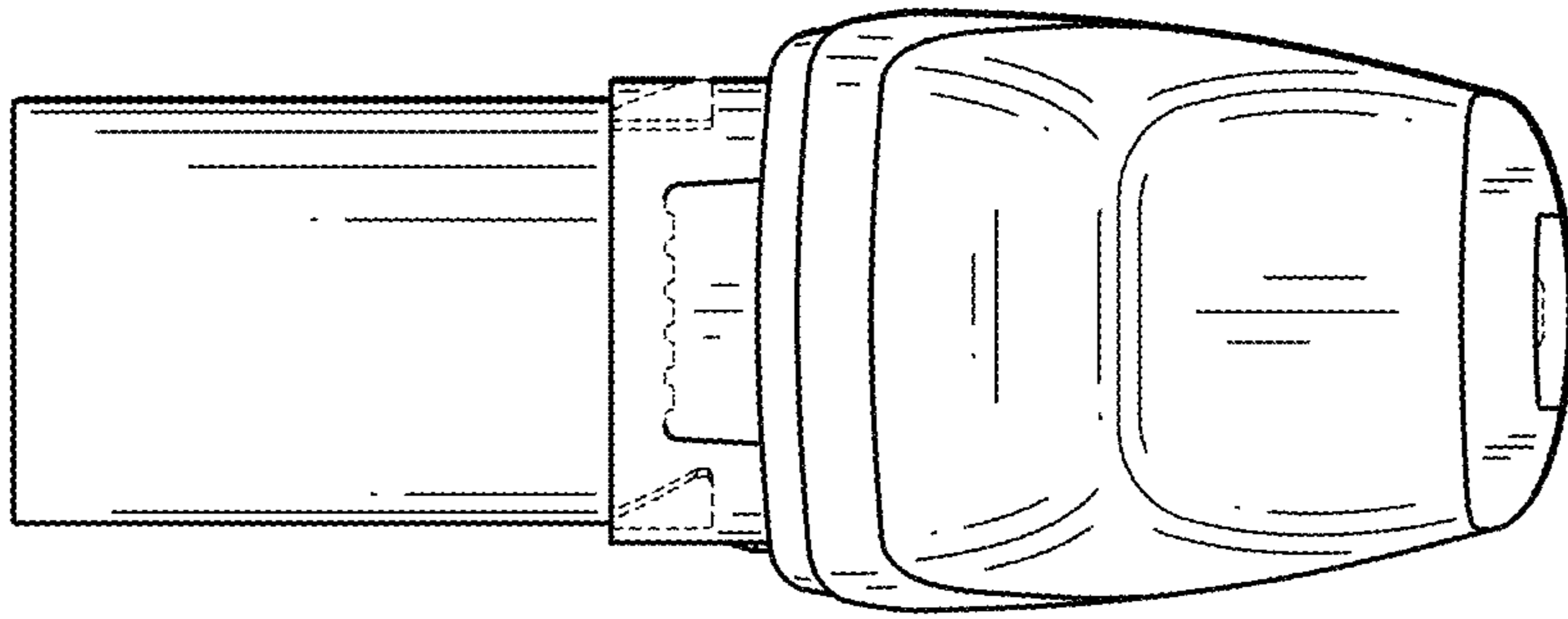


FIG. 2

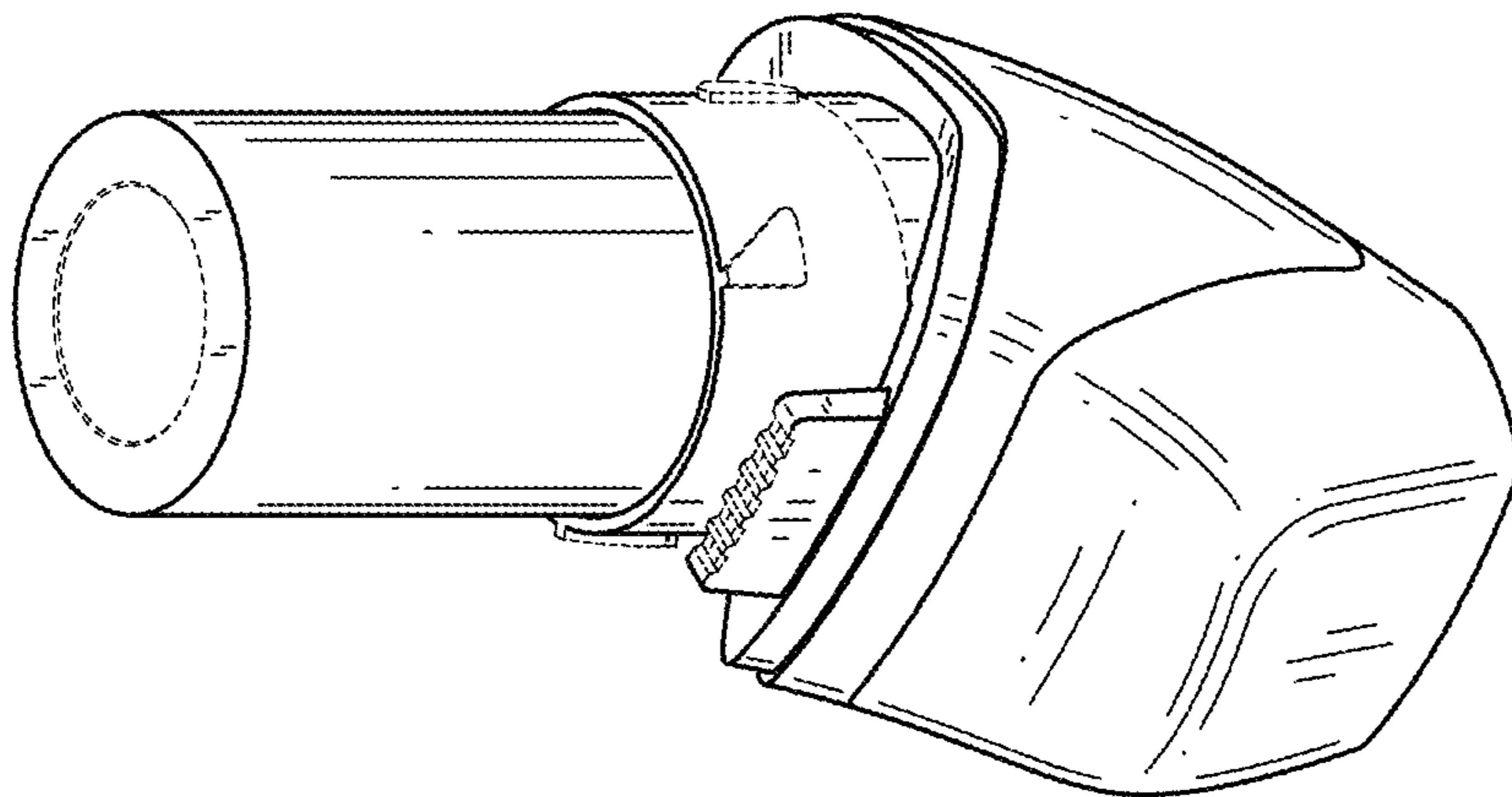
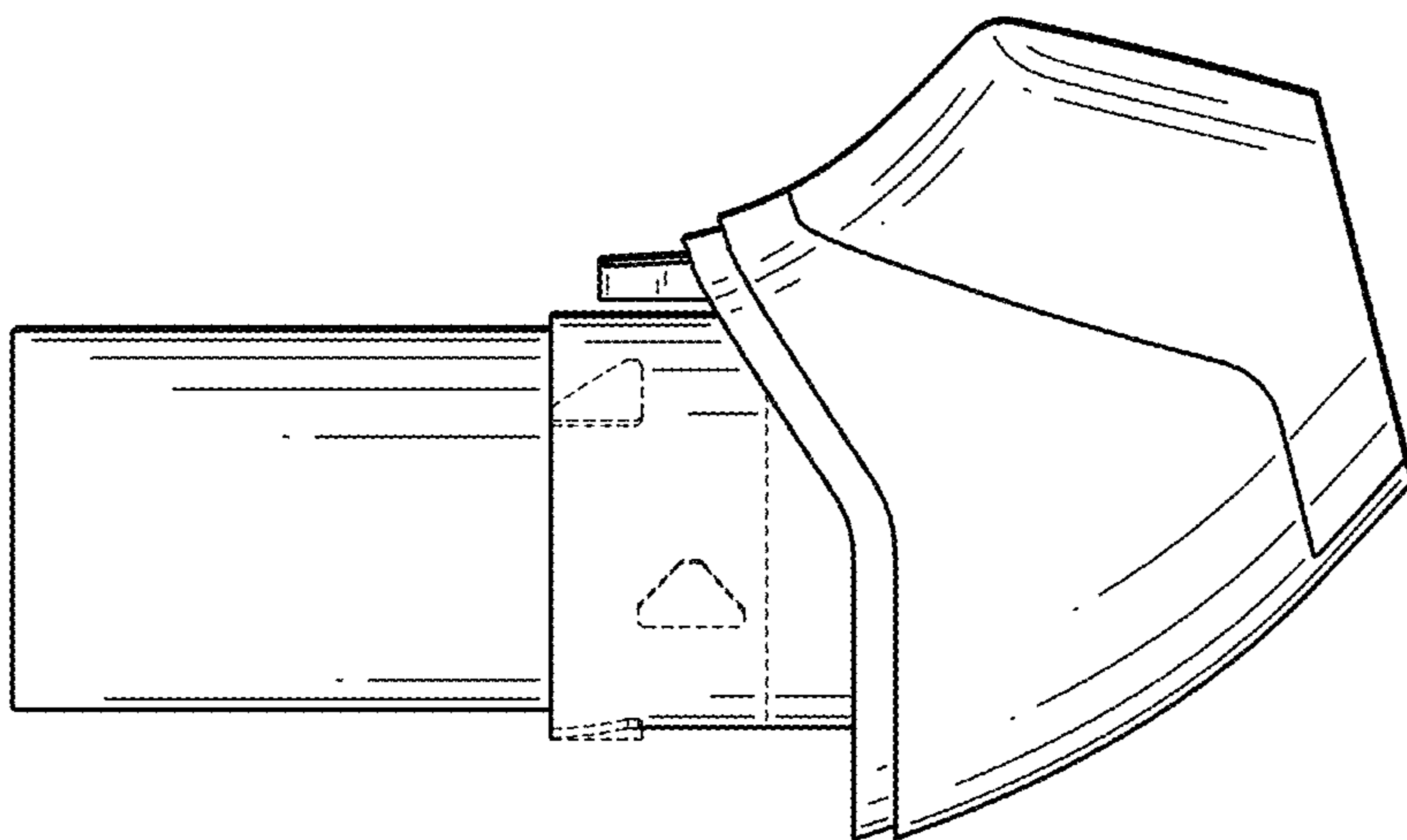
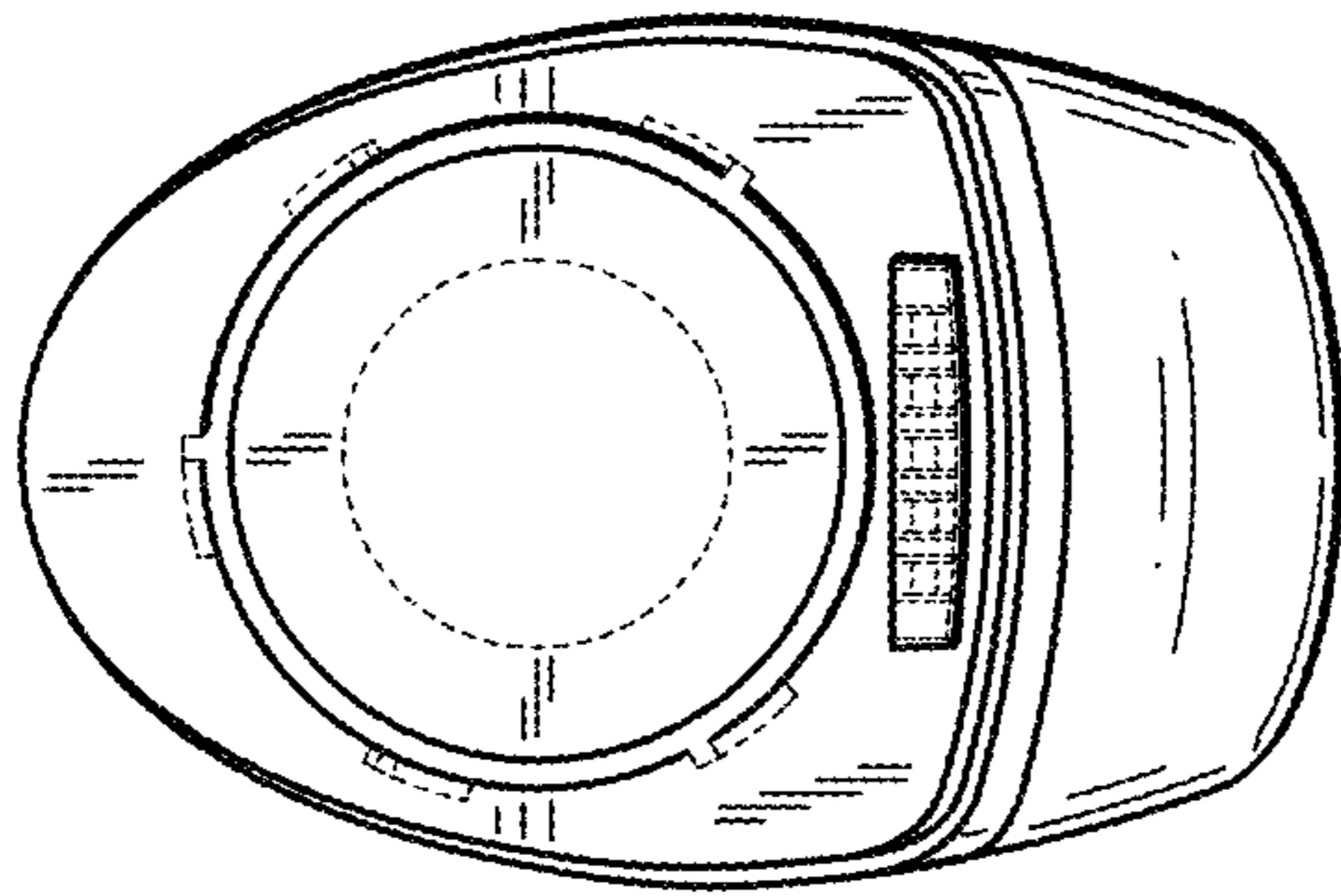


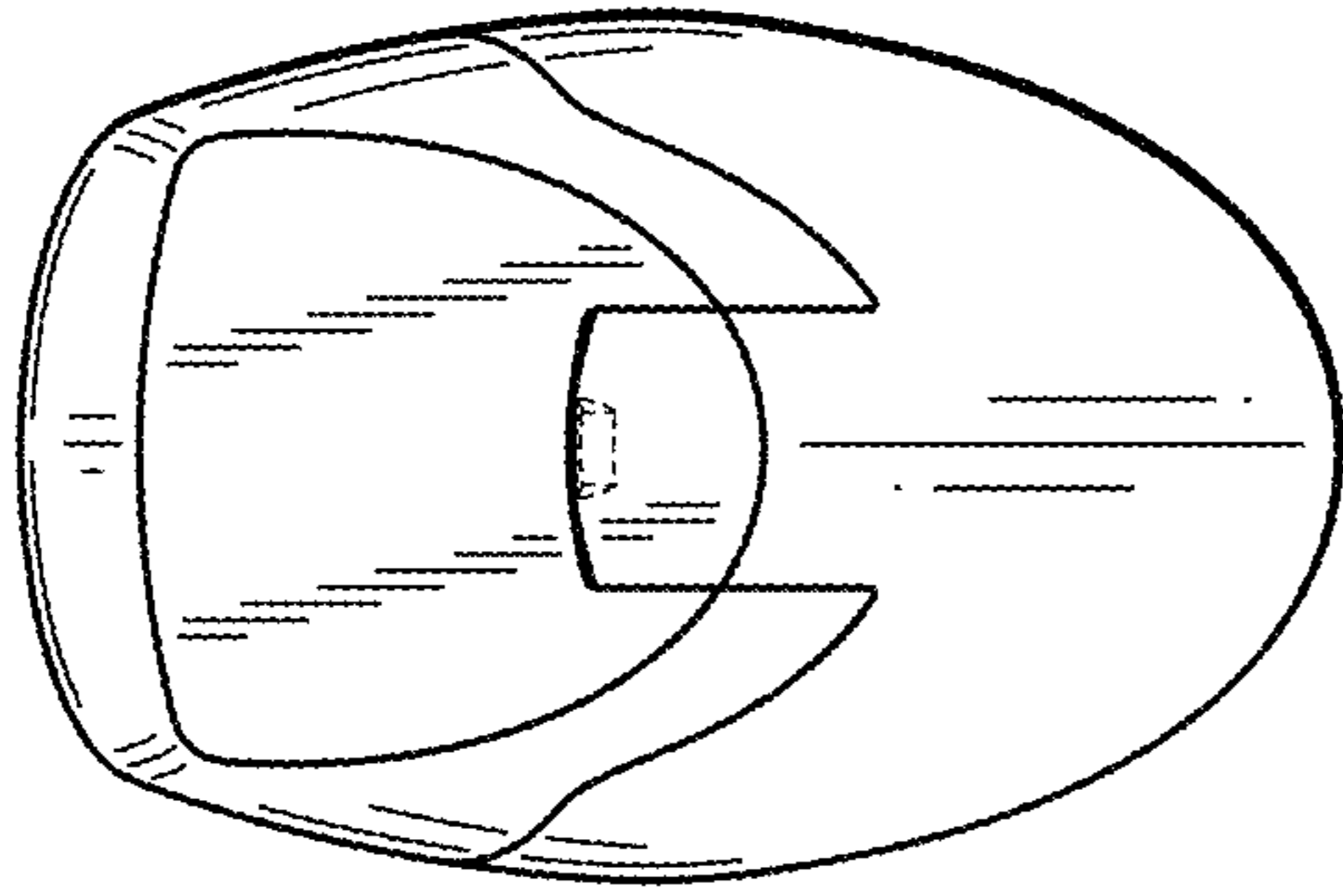
FIG. 1



*FIG. 4*



*FIG. 5*



*FIG. 6*