



US00D809126S

(12) **United States Design Patent**
White et al.

(10) **Patent No.:** **US D809,126 S**
(45) **Date of Patent:** **** Jan. 30, 2018**

(54) **AIRWAY ADAPTER**

(71) Applicant: **CareFusion 2200, Inc.**, San Diego, CA (US)
(72) Inventors: **Dennis White**, Yorba Linda, CA (US);
Haojun Fu, Yorba Linda, CA (US);
Sibgat Ulla, Placentia, CA (US); **Ming Lu**, Pasadena, CA (US)
(73) Assignee: **VYAIRE MEDICAL CONSUMABLES LLC**, Yorba Linda, CA (US)

(**) Term: **15 Years**

(21) Appl. No.: **29/535,621**

(22) Filed: **Aug. 7, 2015**

(51) **LOC (11) Cl.** **29-02**

(52) **U.S. Cl.**
USPC **D24/110; D24/129**

(58) **Field of Classification Search**
USPC D24/110, 110.5, 110.6, 129, 164
CPC A61M 16/085; A61M 16/08; A61M 16/0463; A61B 5/097; A61B 5/0836; A61B 5/083; A61B 5/082; A61B 5/087
See application file for complete search history.

(56) **References Cited**

U.S. PATENT DOCUMENTS

4,240,417 A * 12/1980 Holever A61M 16/0465
128/203.12
4,696,296 A * 9/1987 Palmer A61M 16/0463
128/207.16
D300,361 S 3/1989 Tokarz
(Continued)

FOREIGN PATENT DOCUMENTS

WO WO-0015276 A1 3/2000
WO WO-2005094925 A1 10/2005
(Continued)

OTHER PUBLICATIONS

Invitation to Pay Fees and Partial Search Report for Application No. PCT/US2015/044244, dated Oct. 20, 2015, 9 pages.
(Continued)

Primary Examiner — Barbara Fox
Assistant Examiner — Lilyana Bekic
(74) *Attorney, Agent, or Firm* — McDermott Will & Emery LLP

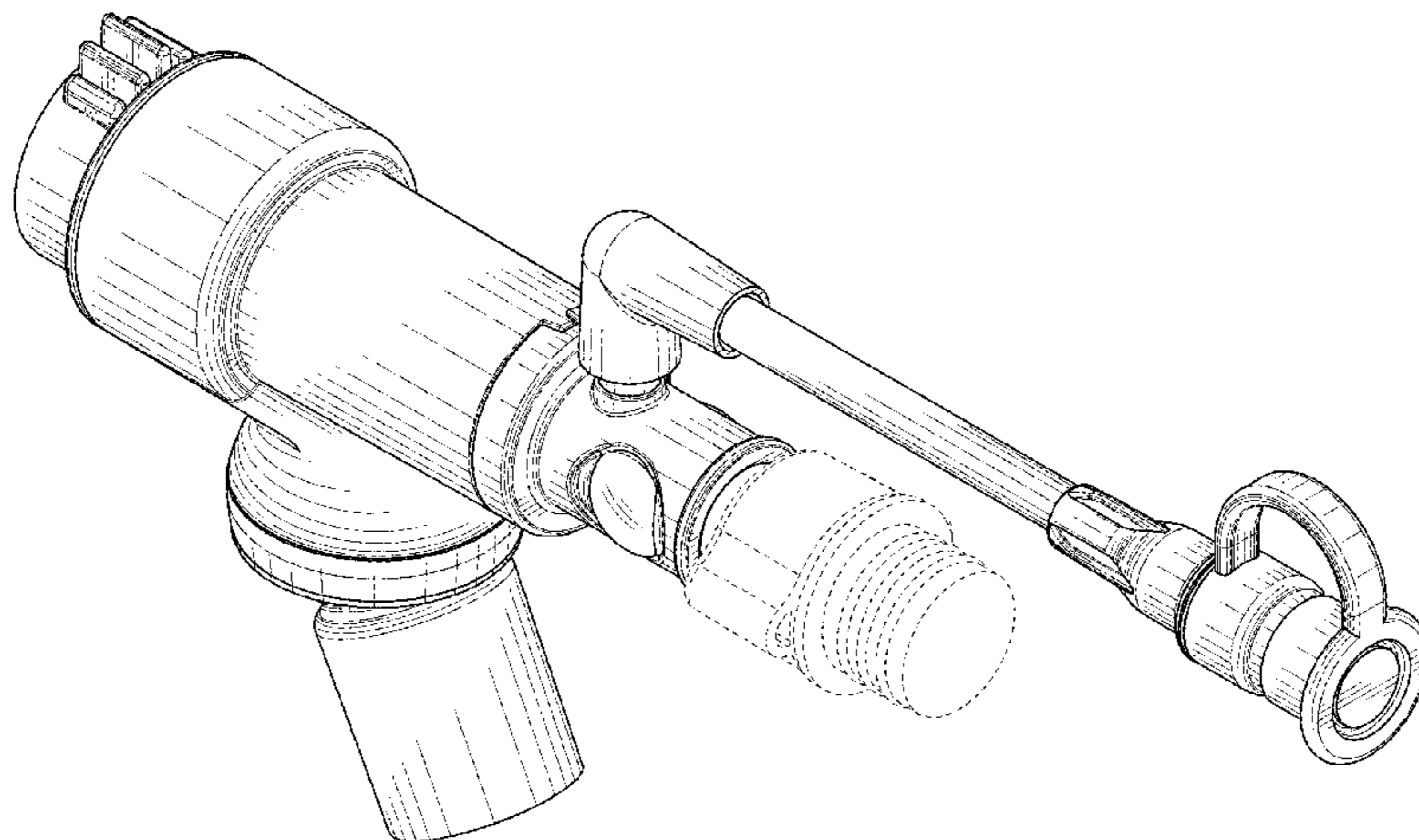
(57) **CLAIM**

We claim the ornamental design for an airway adapter, as shown and described.

DESCRIPTION

FIG. 1 is a top perspective view of an airway adapter according to the new design;
FIG. 2 is a right side view of the airway adapter shown in FIG. 1;
FIG. 3 is a left side view of the airway adapter shown in FIG. 1;
FIG. 4 is a front elevation view of the airway adapter shown in FIG. 1;
FIG. 5 is a rear elevation view of the airway adapter shown in FIG. 1;
FIG. 6 is a top view of the airway adapter shown in FIG. 1;
FIG. 7 is a bottom view of the airway adapter shown in FIG. 1, in a first configuration;
FIG. 8 is a bottom view of the airway adapter shown in FIG. 1, in a second configuration;
FIG. 9 is a bottom view of the airway adapter shown in FIG. 1, in a third configuration; and,
FIG. 10 is a bottom view of the airway adapter shown in FIG. 1, in a fourth configuration.
In the drawings, the broken lines illustrate portions of the airway adapter that form no part of the claimed design.

1 Claim, 7 Drawing Sheets



(56)

References Cited

U.S. PATENT DOCUMENTS

4,825,859 A * 5/1989 Lambert A61M 16/0463
128/202.16
4,834,726 A * 5/1989 Lambert A61M 25/0041
128/200.26
4,836,199 A * 6/1989 Palmer A61M 16/0463
128/207.16
4,838,255 A * 6/1989 Lambert A61M 16/0463
128/202.16
4,848,331 A * 7/1989 Northway-Meyer A61M 16/0488
128/200.26
4,850,350 A * 7/1989 Jackson A61M 1/0043
128/207.16
4,938,741 A * 7/1990 Lambert A61M 16/0463
604/19
5,025,806 A * 6/1991 Palmer A61M 16/0463
128/203.12
5,029,580 A * 7/1991 Radford A61M 1/0084
128/202.16
5,031,613 A * 7/1991 Smith A61M 11/02
128/200.21
5,060,646 A * 10/1991 Page A61M 16/0463
128/200.26
5,083,561 A * 1/1992 Russo A61M 16/0463
128/207.14
D449,106 S * 10/2001 Madsen D24/129
D449,107 S * 10/2001 Madsen D24/129
6,609,520 B1 * 8/2003 Carlsen A61M 16/0463
128/205.19
6,612,304 B1 * 9/2003 Cise A61M 16/0463
128/200.26
D492,030 S * 6/2004 Rani D24/129
D519,632 S * 4/2006 Bayron D24/110.6
D650,478 S 12/2011 Lewis
D653,329 S 1/2012 Lee-Sepsick

D654,583 S 2/2012 Lee-Sepsick
D655,412 S 3/2012 Luk et al.
D660,957 S 5/2012 Lee-Sepsick
8,490,622 B2 * 7/2013 Stenzler A61M 16/0463
128/200.24
D691,717 S * 10/2013 McLean D24/110.6
D712,027 S * 8/2014 Zerwic D24/129
D713,958 S 9/2014 Srinivasan et al.
D714,436 S 9/2014 Lee-Sepsick
D727,492 S * 4/2015 Scampoli D24/110
D730,518 S 5/2015 Lombardi, III et al.
D747,473 S 1/2016 Martin et al.
D749,721 S 2/2016 Dziak et al.
D764,660 S 8/2016 Babbs et al.
9,427,541 B2 * 8/2016 Chiu A61M 39/1055
D771,806 S 11/2016 Steele
2013/0144268 A1 6/2013 Chung
2013/0312755 A1 11/2013 Ho
2013/0312756 A1 11/2013 Ho
2013/0312759 A1 11/2013 Ho
2016/0038700 A1 * 2/2016 White A61M 16/208
128/202.27
2016/0038701 A1 * 2/2016 White A61M 16/0463
128/207.16
2017/0143921 A1 * 5/2017 White A61M 16/0463

FOREIGN PATENT DOCUMENTS

WO WO-2007146613 A2 12/2007
WO WO-2010014735 A1 2/2010
WO WO-2010052241 A1 5/2010

OTHER PUBLICATIONS

International Search Report and Written Opinion for Application No. PCT/US2015/044244, dated Feb. 4, 2016, 21 pages.

* cited by examiner

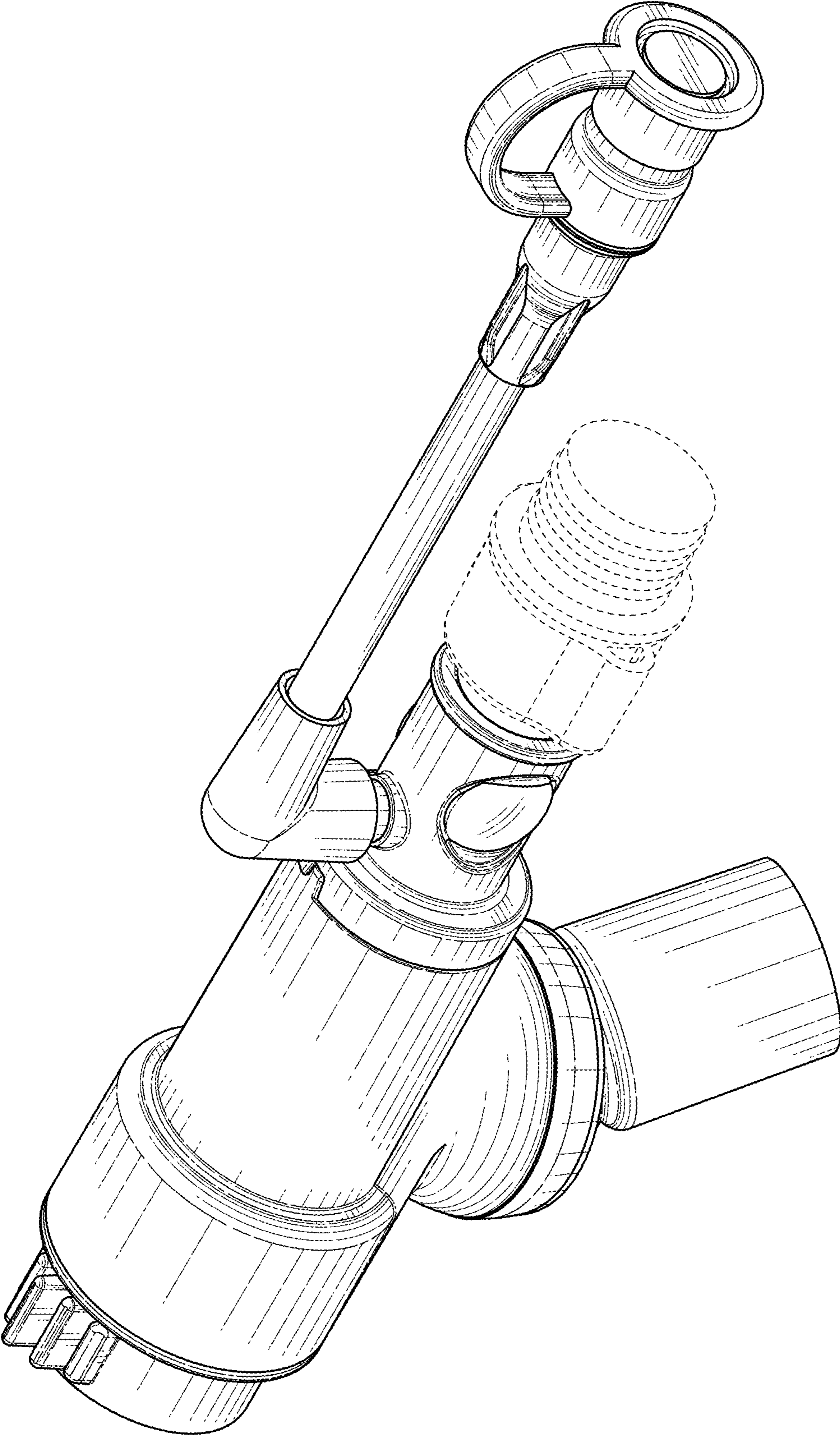


FIG. 1

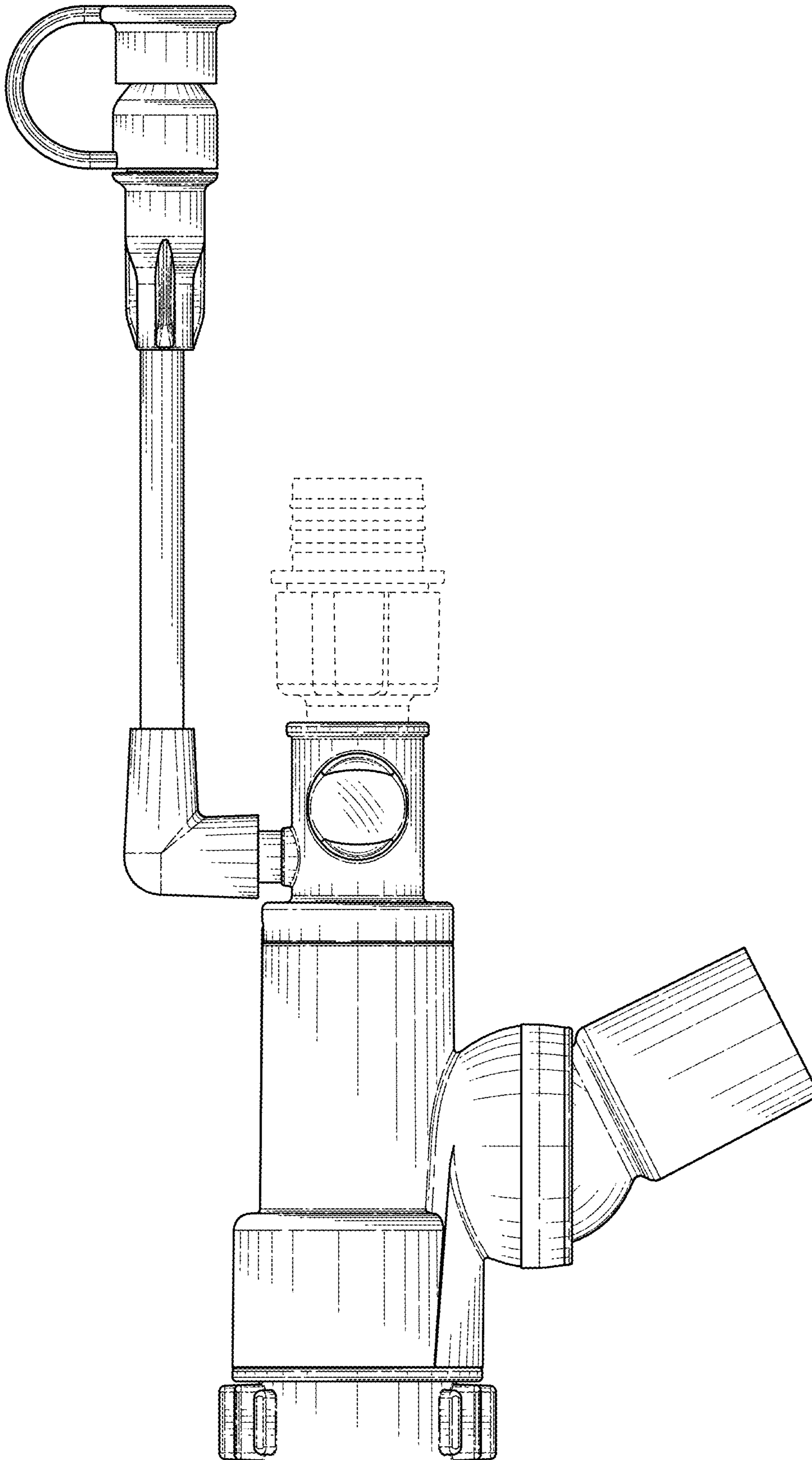


FIG. 2

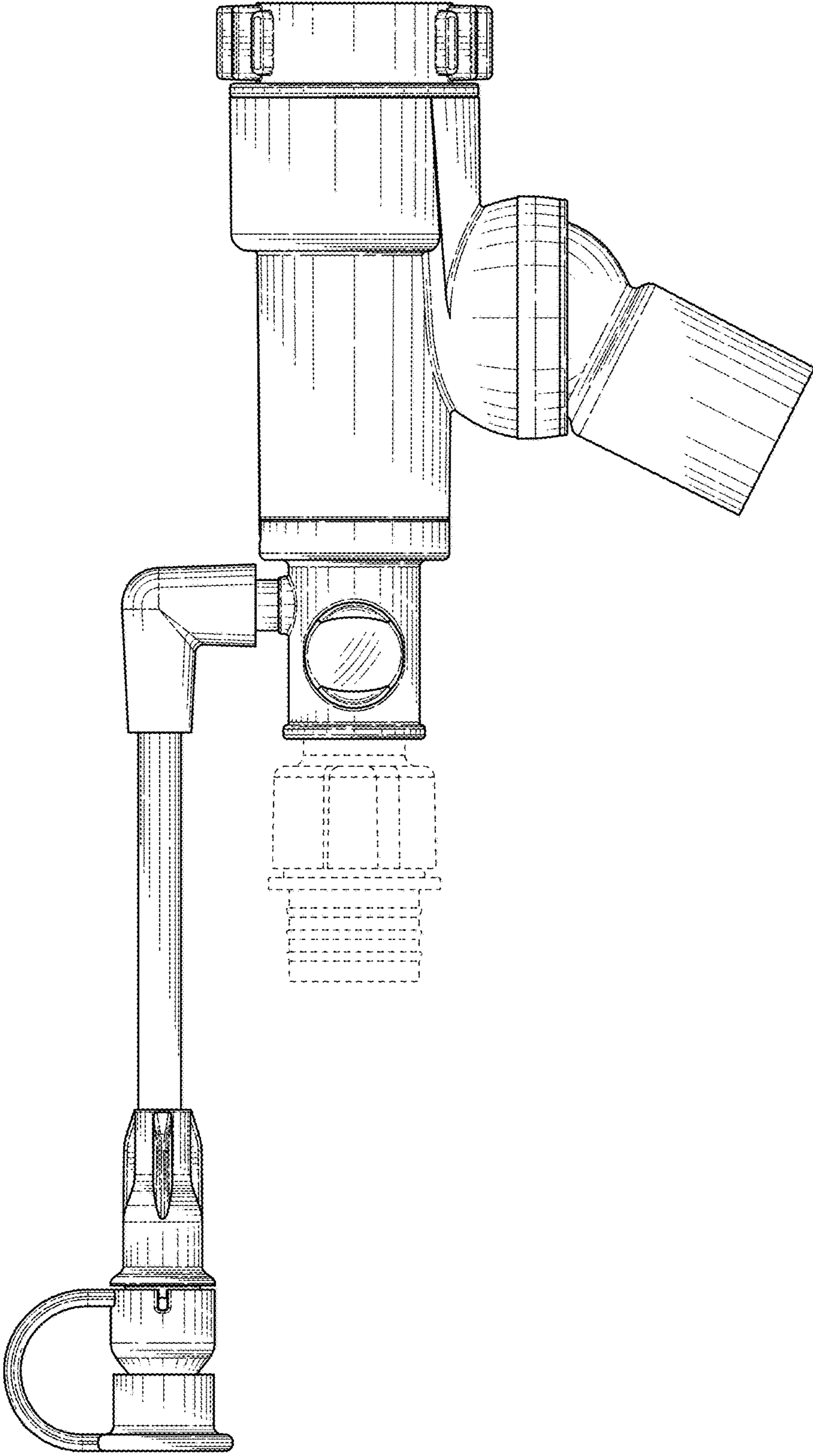


FIG. 3

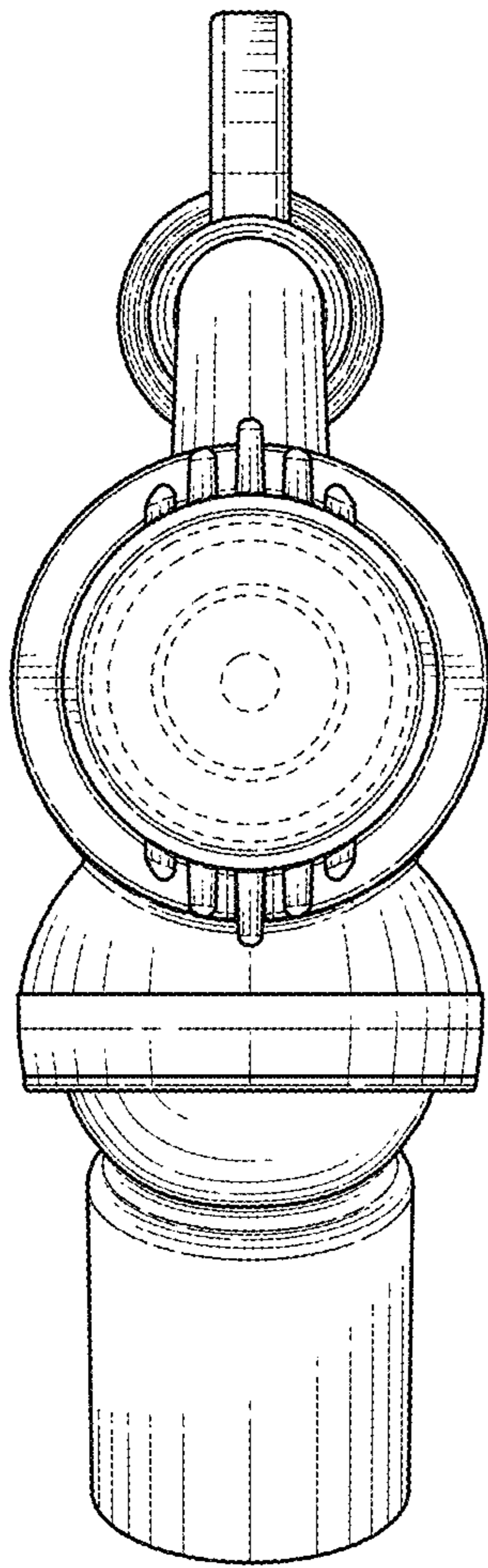


FIG. 4

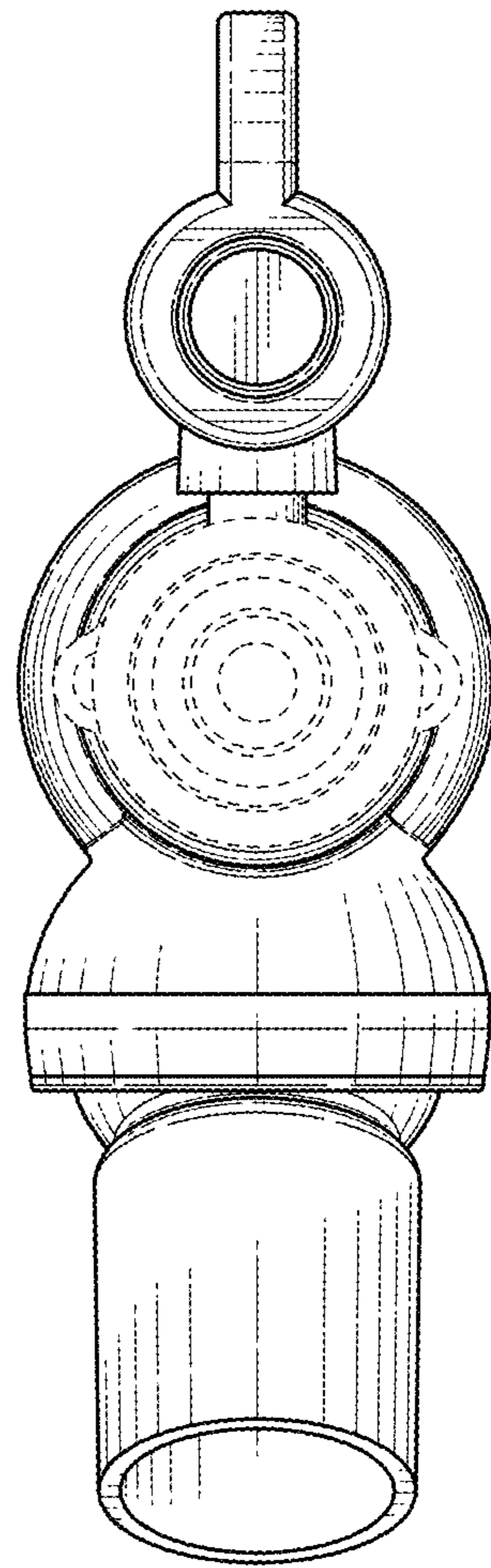


FIG. 5

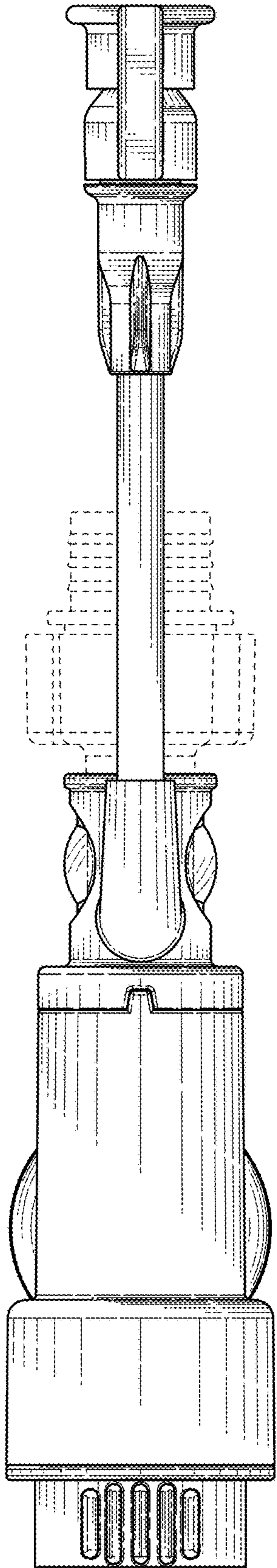


FIG. 6

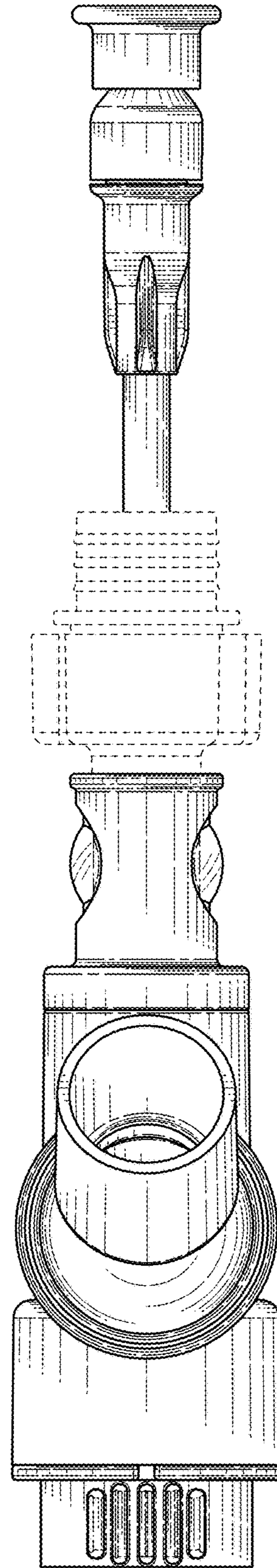


FIG. 7

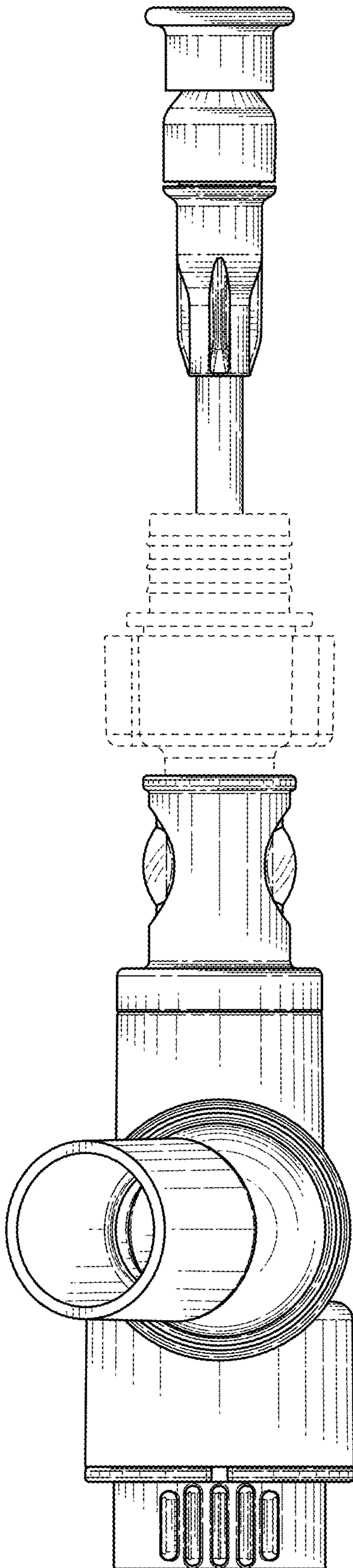


FIG. 8

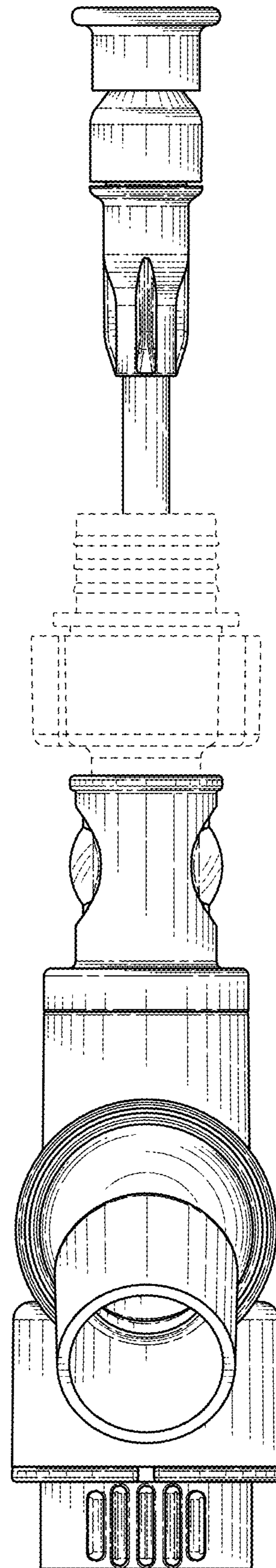


FIG. 9

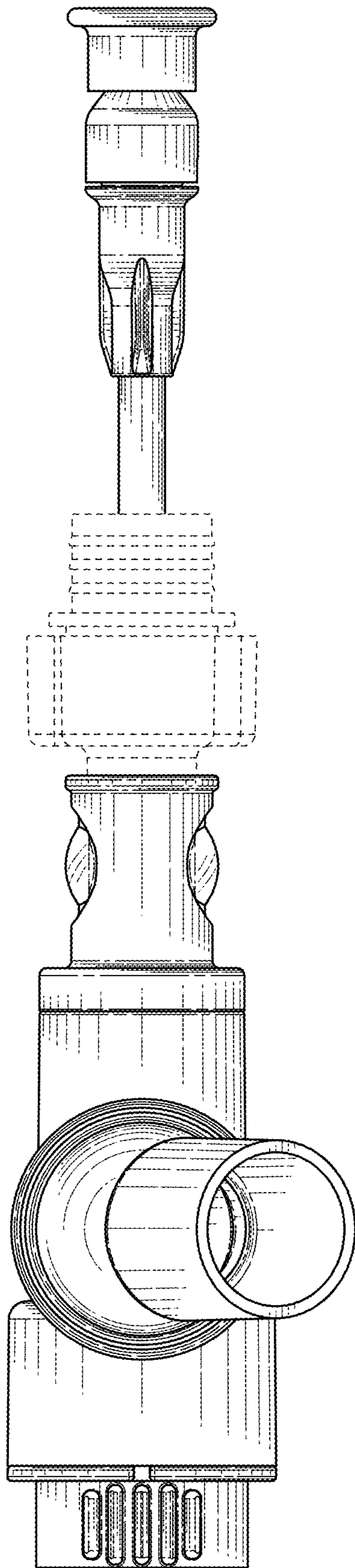


FIG. 10