



US00D809122S

(12) **United States Design Patent**
Topaz

(10) **Patent No.:** **US D809,122 S**
(45) **Date of Patent:** **** Jan. 30, 2018**

(54) **MEDICAL APPARATUS**

(71) Applicant: **Moris Topaz, Ra'anana (IL)**

(72) Inventor: **Moris Topaz, Ra'anana (IL)**

(**) Term: **15 Years**

(21) Appl. No.: **29/505,564**

(22) Filed: **Dec. 23, 2015**

(30) **Foreign Application Priority Data**

Jun. 25, 2015 (IL) 57079

(51) **LOC (11) Cl.** **24-01**

(52) **U.S. Cl.**

USPC **D24/108**

(58) **Field of Classification Search**

USPC D24/112-114, 108, 133, 130, 127, 186;
600/101, 139, 143; 604/264, 272, 187,
604/181, 184, 227; 606/181, 185;
128/200.24, 207.14, 207.15

CPC A61M 25/00; A61M 39/00; A61M 27/00;
A61M 25/0043; A61M 25/0067; A61M
25/0097

See application file for complete search history.

D547,862 S * 7/2007 Dikeman D24/128

D548,339 S * 8/2007 Stonier D24/133

D596,742 S * 7/2009 McNeil D24/146

D641,866 S * 7/2011 Burgess D24/121

D678,502 S * 3/2013 Schmidt D24/108

D700,963 S * 3/2014 Elist D24/128

D716,444 S * 10/2014 Khalaj D24/128

D738,487 S * 9/2015 Anderson D24/108

D750,961 S * 3/2016 Liu D6/542

D754,842 S * 4/2016 Sonderegger D24/108

D754,843 S * 4/2016 Sonderegger D24/108

D783,121 S * 4/2017 Cappuccio D23/200

D783,176 S * 4/2017 Gavlak D24/121

D788,292 S * 5/2017 Andersen D24/108

2010/0239353 A1 * 9/2010 Prax A45D 34/04
401/133

2010/0262095 A1 * 10/2010 Hall A61M 1/0084
604/319

2013/0030394 A1 * 1/2013 Locke A61M 1/0088
604/319

(Continued)

Primary Examiner — David G Muller
Assistant Examiner — Nathan M Johnston
(74) *Attorney, Agent, or Firm* — Woodard, Emhardt,
Moriarty, McNett & Henry, LLP; Charles Meyer

(57) **CLAIM**

The ornamental design for a medical apparatus, as shown and described.

(56) **References Cited**

U.S. PATENT DOCUMENTS

D281,528 S * 11/1985 Peery D24/113

4,668,225 A * 5/1987 Russo A61J 15/0015
604/104

4,898,587 A * 2/1990 Mera A61M 25/02
128/DIG. 26

5,213,574 A * 5/1993 Tucker A61L 29/02
424/423

D371,489 S * 7/1996 Deltoro D3/229

6,302,866 B1 * 10/2001 Marggi A61M 25/0097
604/174

D530,009 S * 10/2006 Lyman D24/108

DESCRIPTION

FIG. 1 is a perspective view of the medical apparatus showing my new design.

FIG. 2 is a lower perspective view thereof.

FIG. 3 is a front elevation view thereof.

FIG. 4 is a rear elevation view thereof.

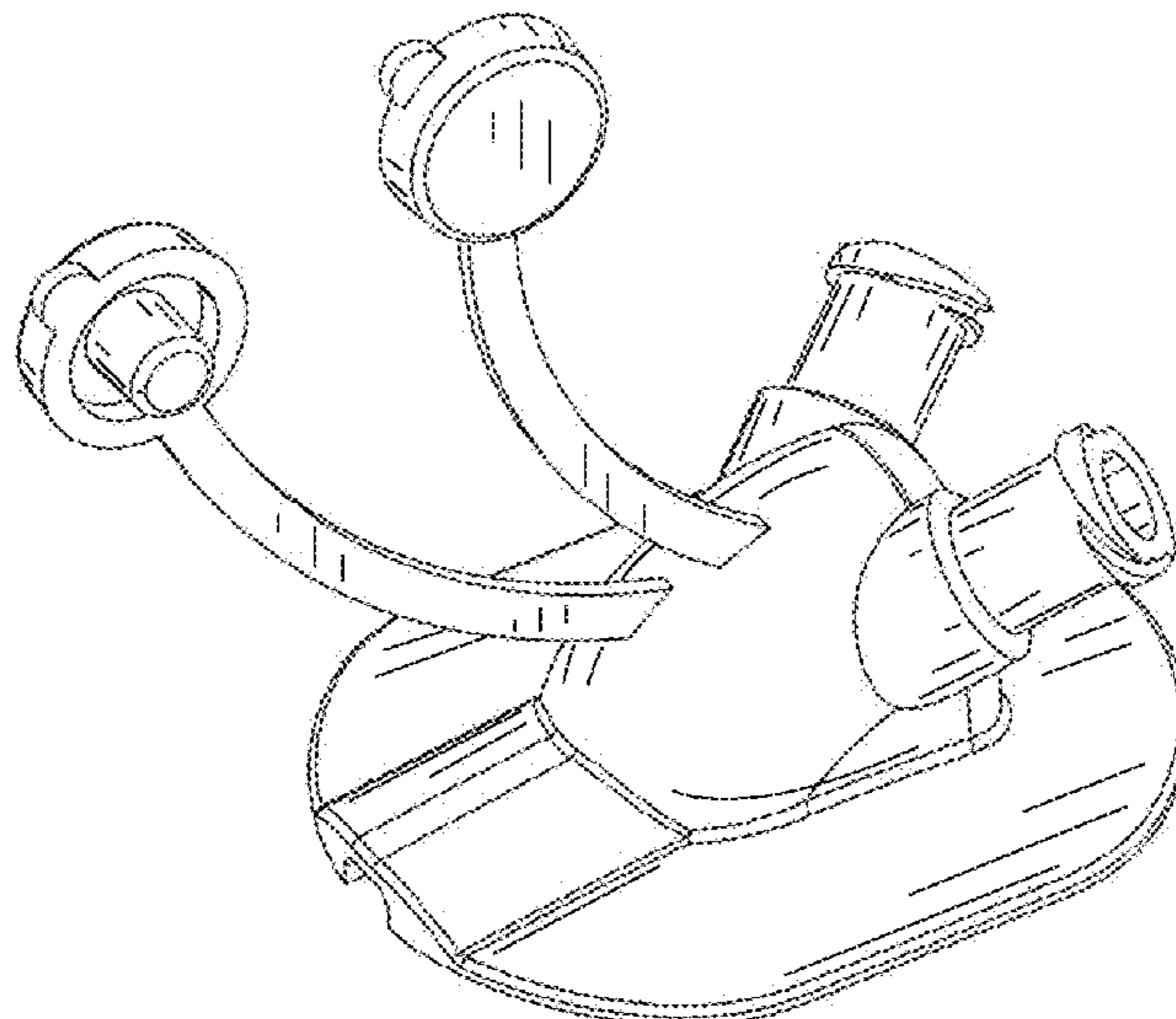
FIG. 5 is a first side elevation view thereof.

FIG. 6 is a second side elevation view thereof.

FIG. 7 is a top plan view thereof; and,

FIG. 8 is a bottom plan view thereof.

1 Claim, 5 Drawing Sheets



(56)

References Cited

U.S. PATENT DOCUMENTS

2013/0178785 A1* 7/2013 Papay A61N 1/0428
604/20
2014/0074028 A1* 3/2014 Sonderegger A61M 5/158
604/151

* cited by examiner

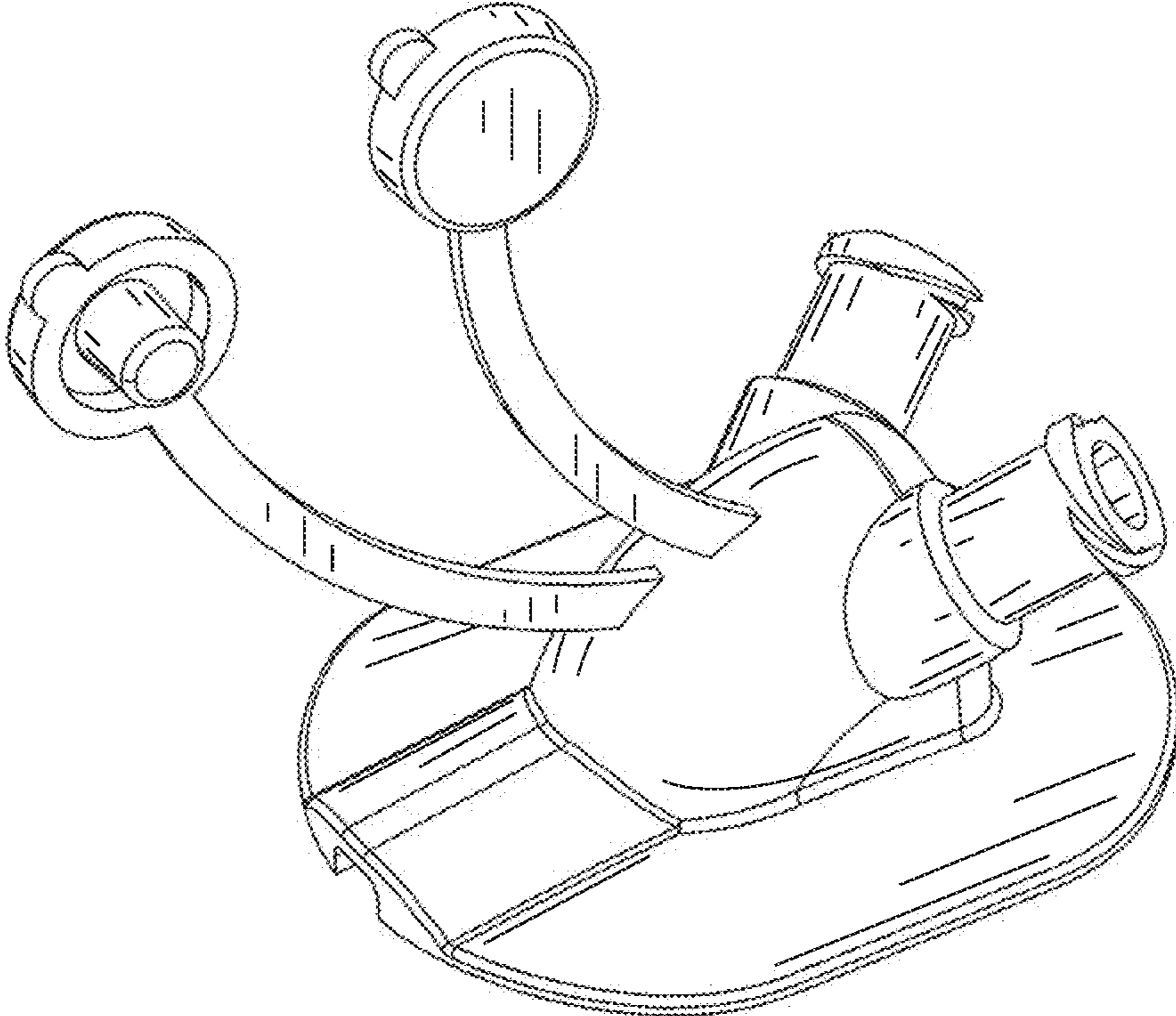


Fig. 1

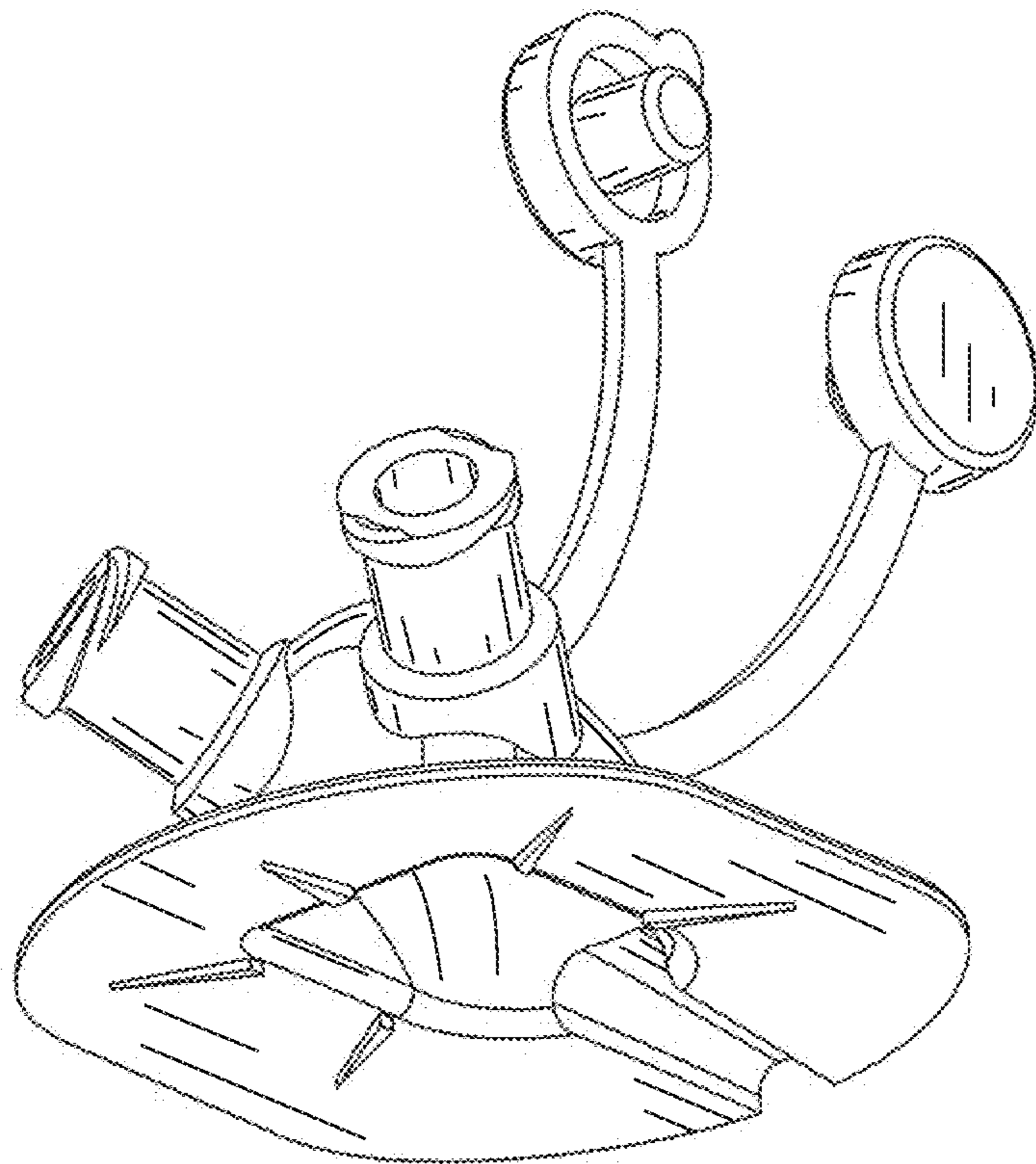


Fig. 2

Fig. 3

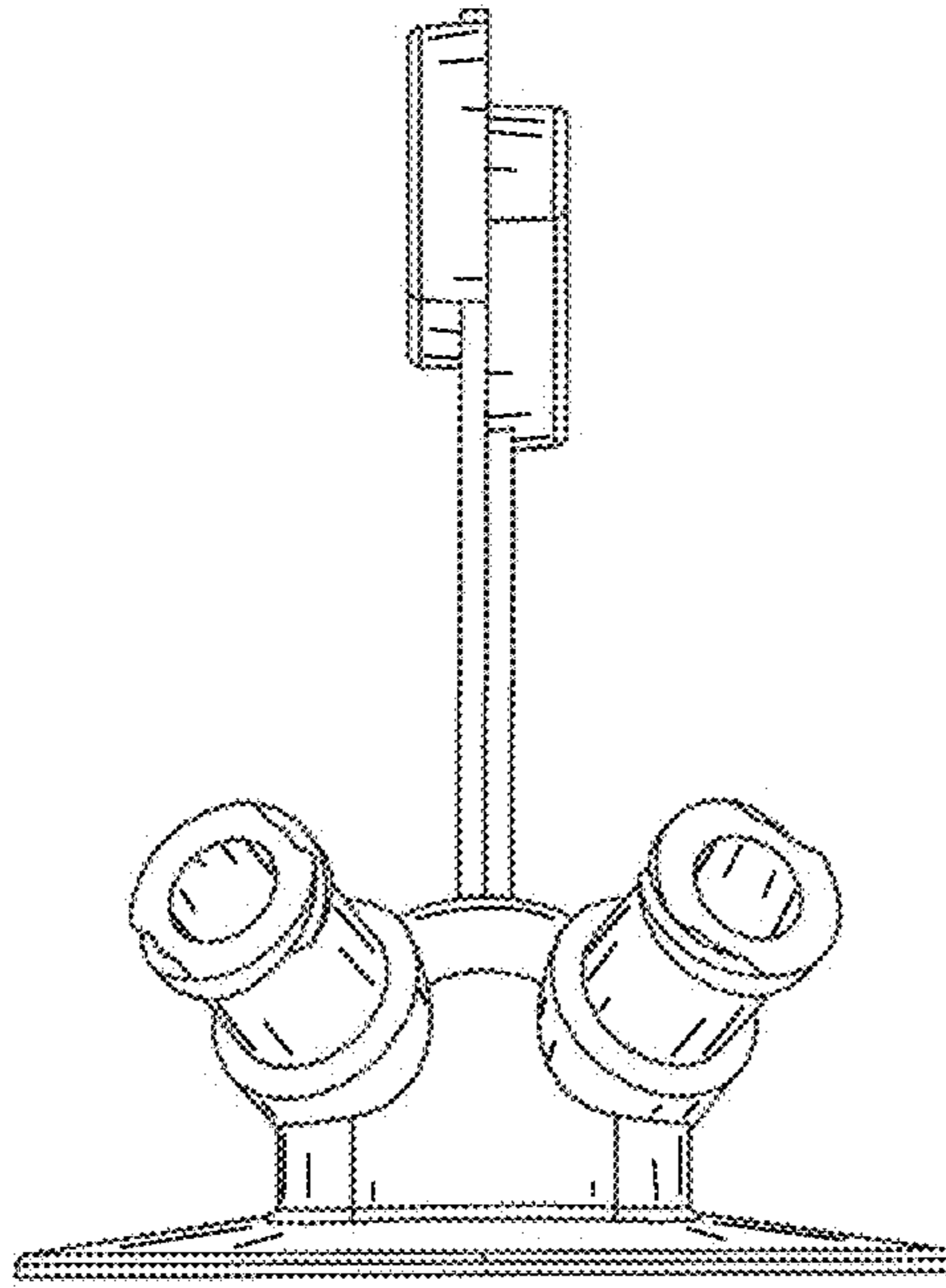
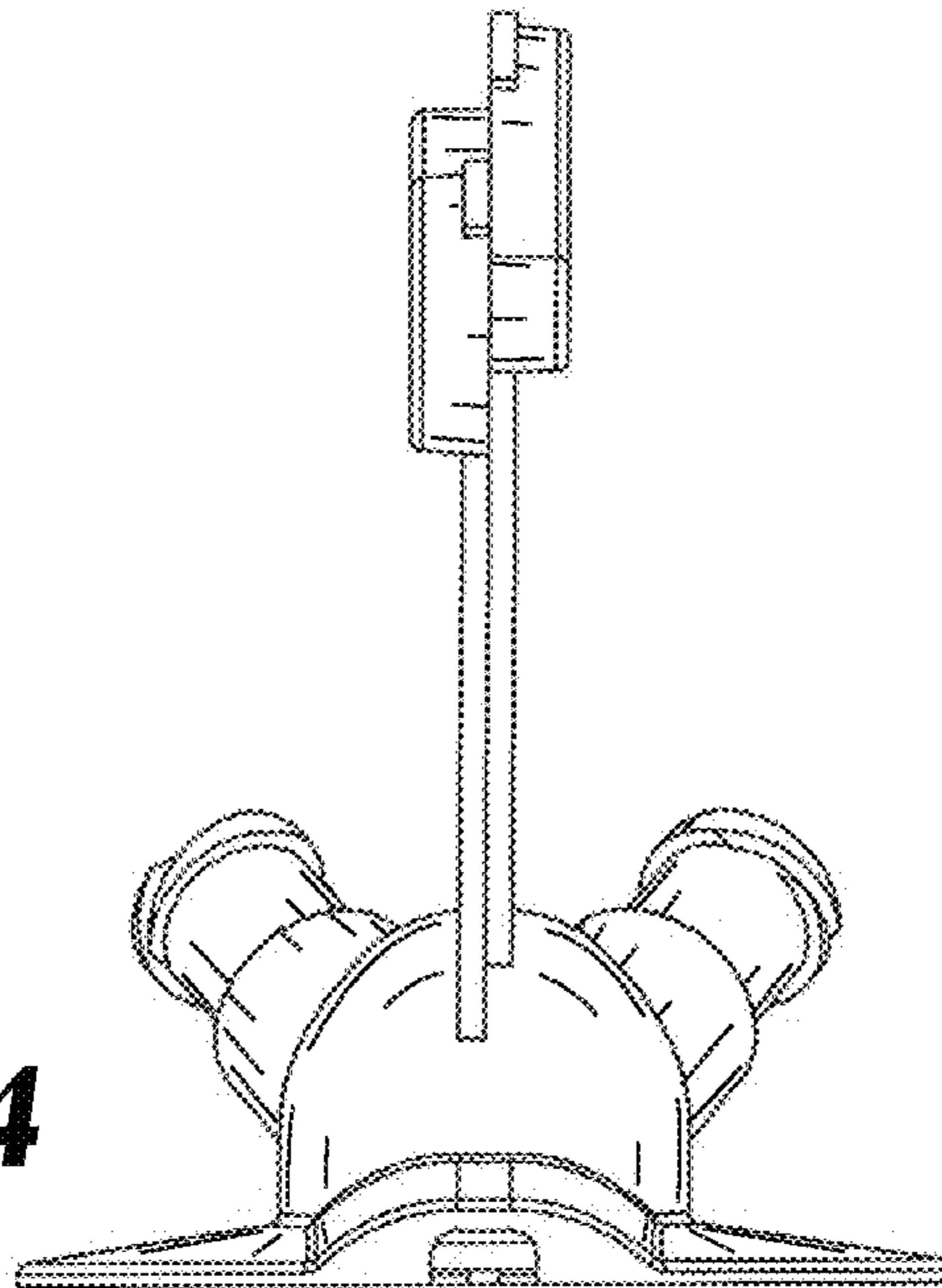


Fig. 4



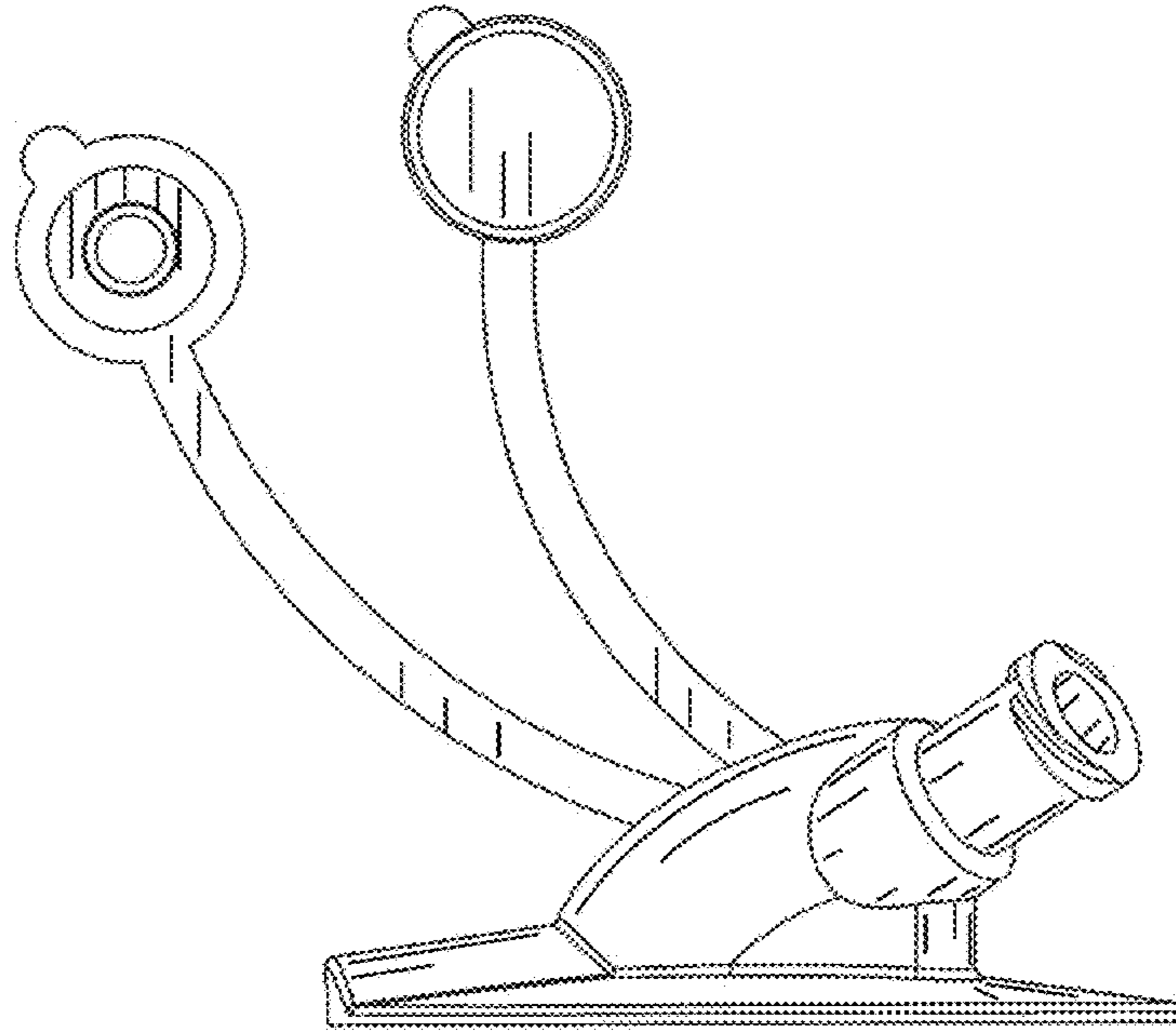


Fig. 5

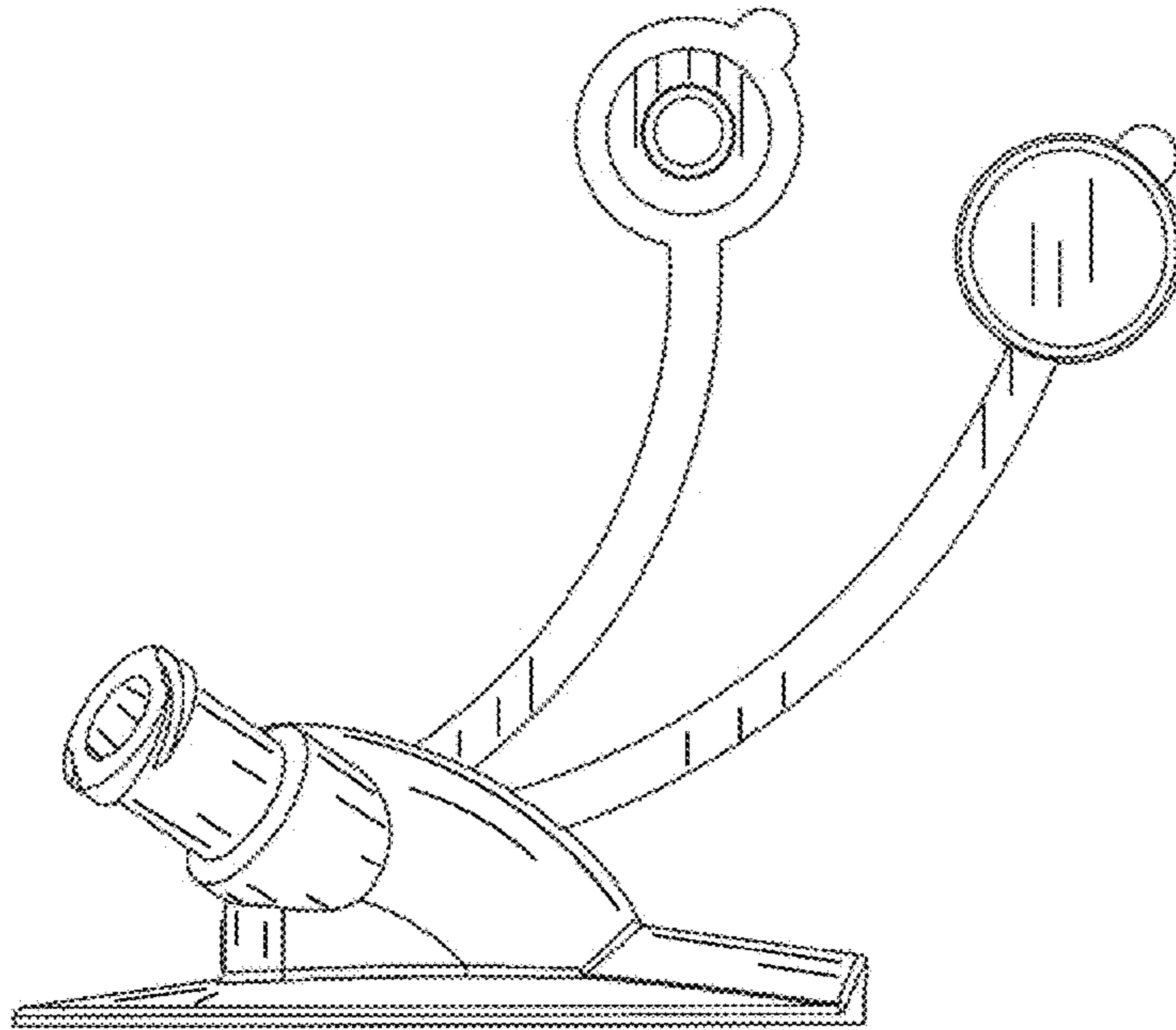


Fig. 6

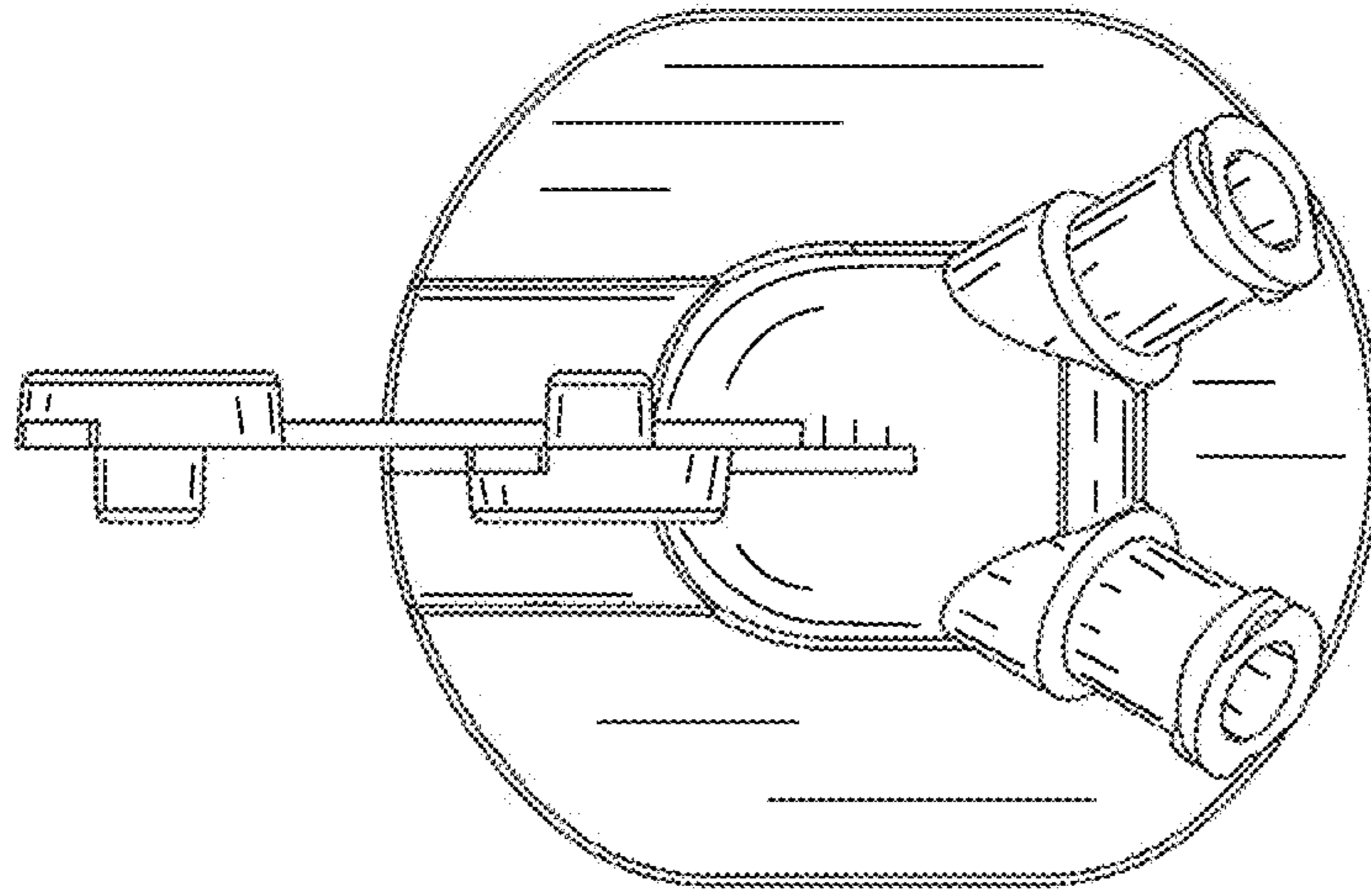


Fig. 7

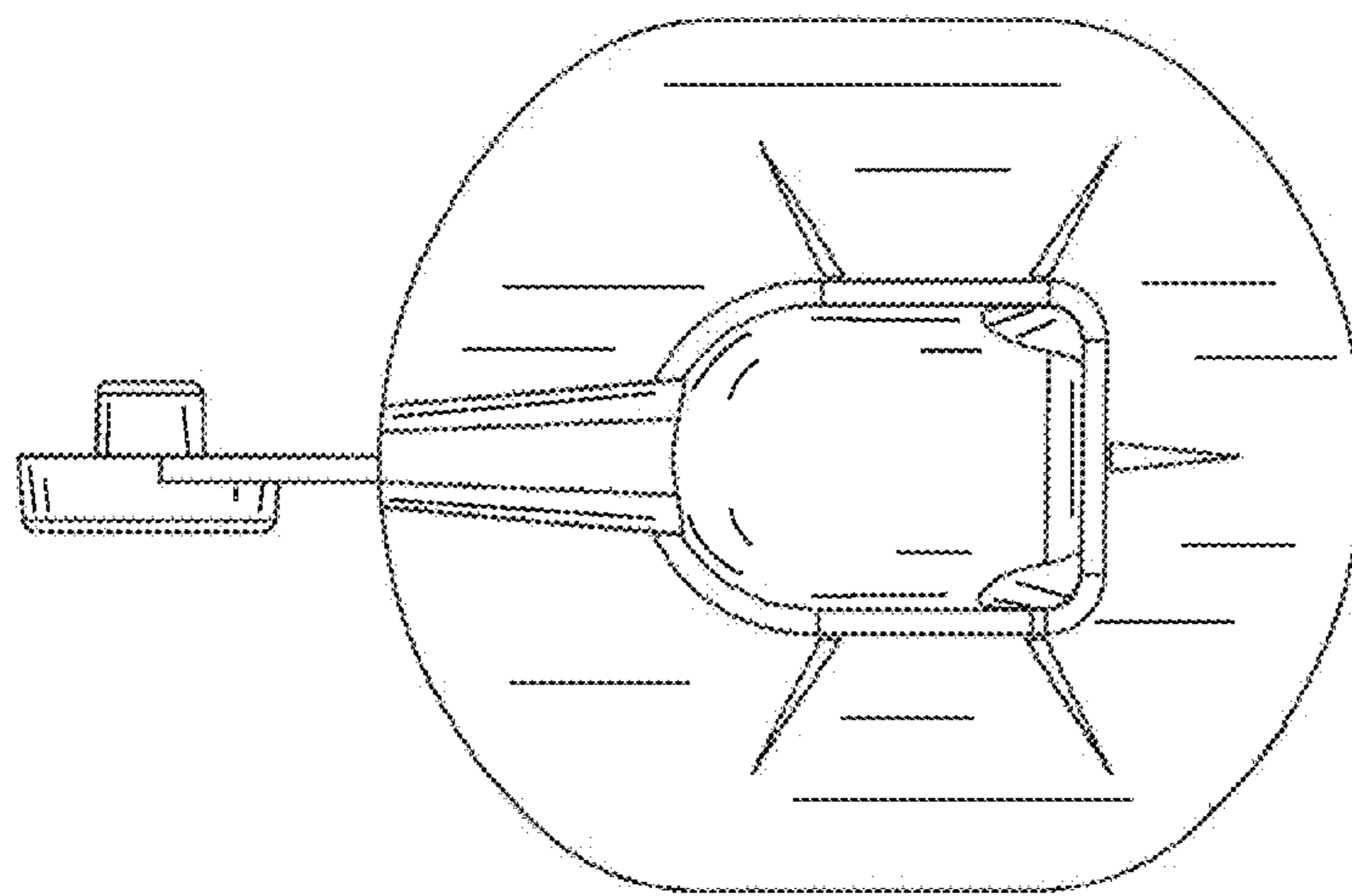


Fig. 8