

US00D809120S

(12) **United States Design Patent** (10) **Patent No.:** **US D809,120 S**  
**Shin** (45) **Date of Patent:** **\*\* Jan. 30, 2018**

(54) **FAN**  
(71) Applicant: **LG ELECTRONICS INC.**, Seoul (KR)  
(72) Inventor: **Mijoo Shin**, Seoul (KR)  
(73) Assignee: **LG ELECTRONICS INC.**, Seoul (KR)  
(\*\*) Term: **15 Years**  
(21) Appl. No.: **35/502,095**  
(22) Filed: **Jun. 10, 2016**  
(80) **Hague Agreement Data**  
Int. Filing Date: **Jun. 10, 2016**  
Int. Reg. No.: **DM/091346**  
Int. Reg. Date: **Jun. 10, 2016**  
Int. Reg. Pub. Date: **Dec. 16, 2016**

(30) **Foreign Application Priority Data**  
Dec. 14, 2015 (KR) ..... 30-2015-0063702  
(51) **LOC (11) Cl.** ..... **23-04**  
(52) **U.S. Cl.**  
USPC ..... **D23/378**  
(58) **Field of Classification Search**  
USPC ..... D23/351, 352, 370, 372, 378, 379, 381, D23/382, 411-414  
CPC ..... F04D 3/00; F04D 17/00; F04D 25/084; F04D 29/388; F04D 29/403; F04D 29/601; F04D 29/703; F04D 29/4226; H01R 13/5213  
See application file for complete search history.

(56) **References Cited**  
U.S. PATENT DOCUMENTS

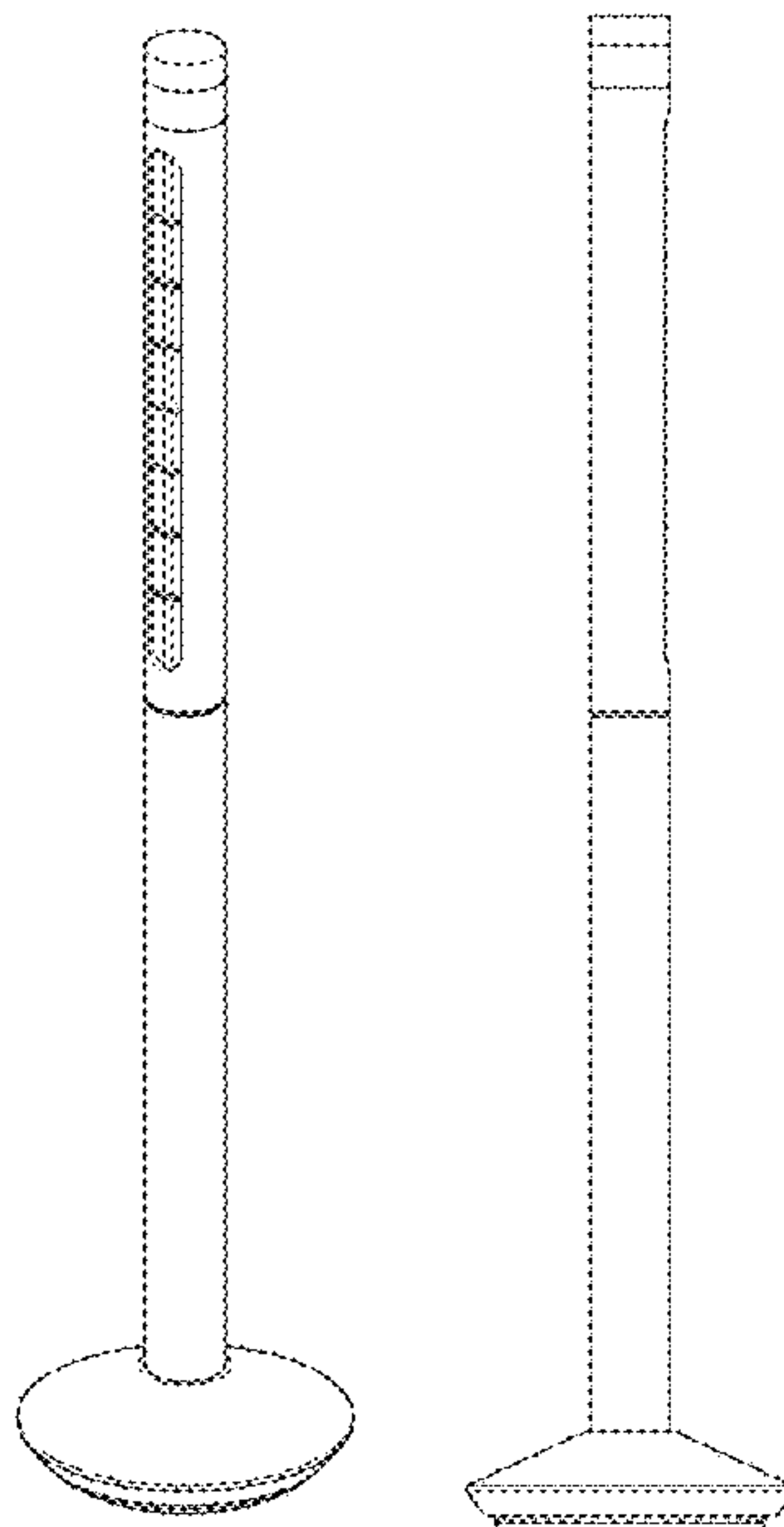
D315,598 S *	3/1991	Yamamoto	.....	D23/378
D398,044 S *	9/1998	Gutmann	.....	D23/364
D509,897 S *	9/2005	Lau	.....	D23/378
D513,071 S *	12/2005	Lee	.....	D23/378
D519,201 S *	4/2006	Lee	.....	D23/378
D522,124 S *	5/2006	Bucher	.....	D23/378
D539,410 S *	3/2007	Fok	.....	D23/378
D546,932 S *	7/2007	Bucher	.....	D23/378
D548,828 S *	8/2007	Wang	.....	D23/378
D603,036 S *	10/2009	Boswell	.....	D23/378
D639,919 S *	6/2011	Yu	.....	D23/314
D685,078 S *	6/2013	Sidell	.....	D23/378
D699,336 S *	2/2014	Girard	.....	D23/370
D729,377 S *	5/2015	Chen	.....	D23/378
D744,630 S *	12/2015	Ying	.....	D23/378
D799,671 S *	10/2017	Deffrennes	.....	D23/378
D802,740 S *	11/2017	Kim	.....	D23/378

\* cited by examiner  
*Primary Examiner* — Keli L Hill  
(74) *Attorney, Agent, or Firm* — Birch, Stewart, Kolasch & Birch, LLP

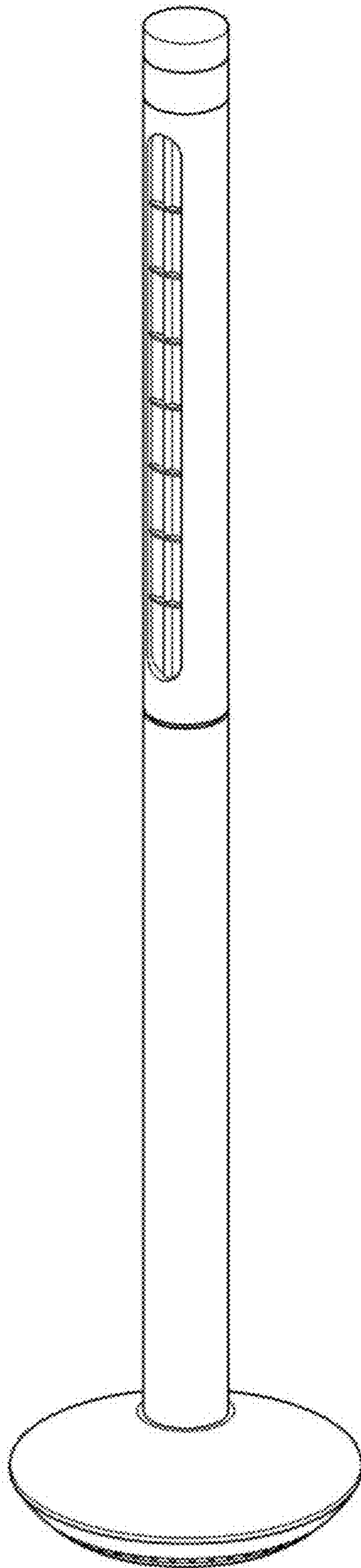
(57) **CLAIM**  
The ornamental design for a fan, as shown and described.

**DESCRIPTION**  
1. Fan  
1.1 is a front, right perspective view.  
1.2 is a front elevation view.  
1.3 is a rear elevation view.  
1.4 is a left side elevation view.  
1.5 is a right side elevation view.  
1.6 is a top plan view.  
1.7 is a bottom plan view.  
1.8 is a front, left perspective view.

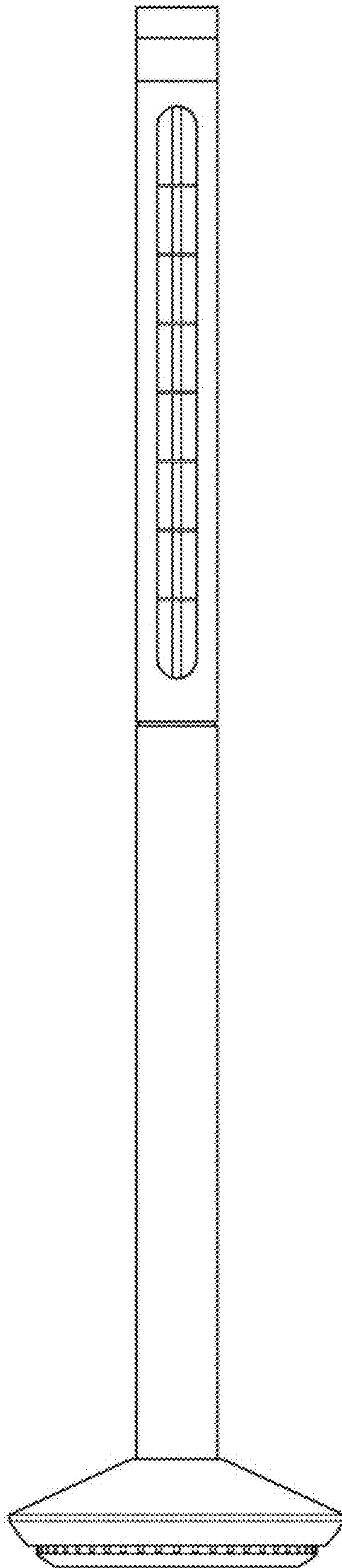
**1 Claim, 8 Drawing Sheets**



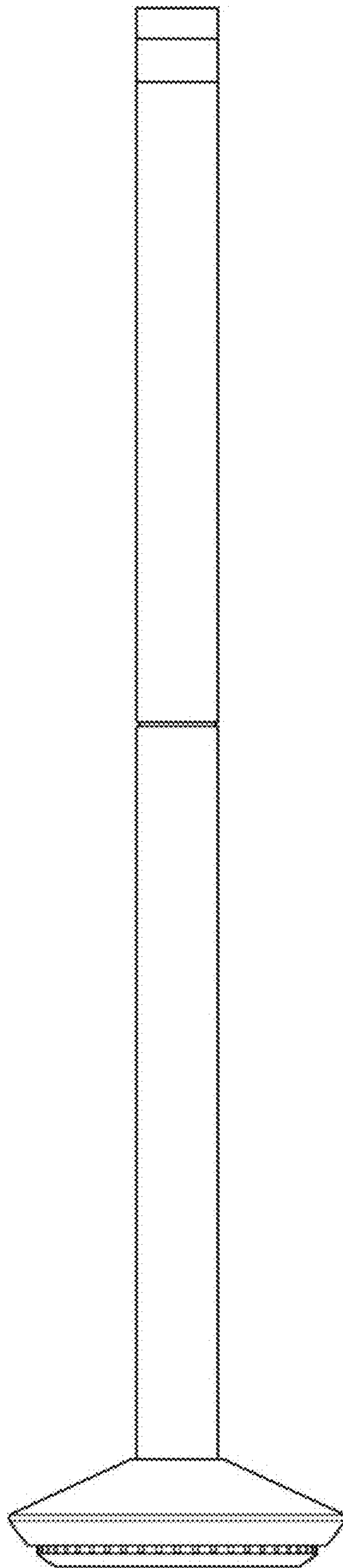
1.1



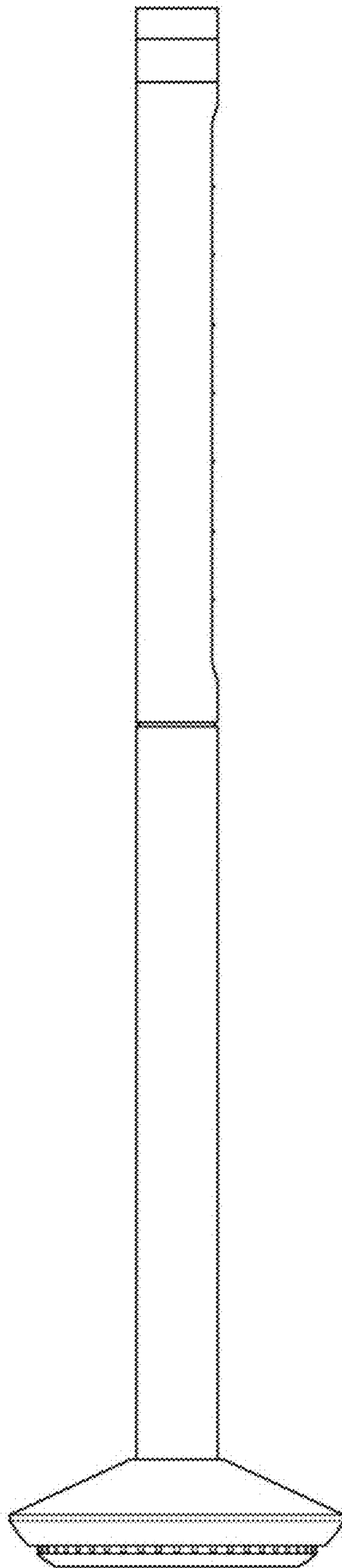
1.2



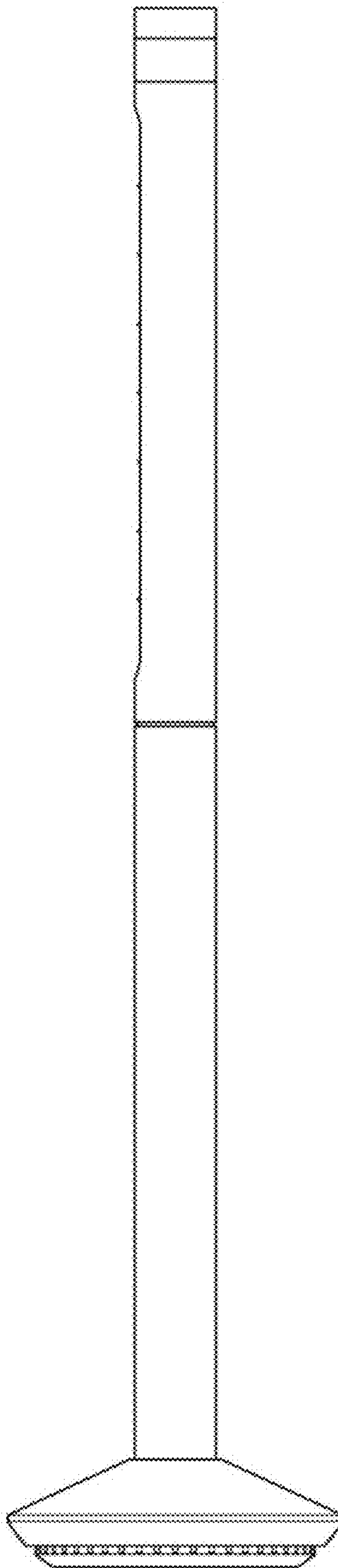
1.3



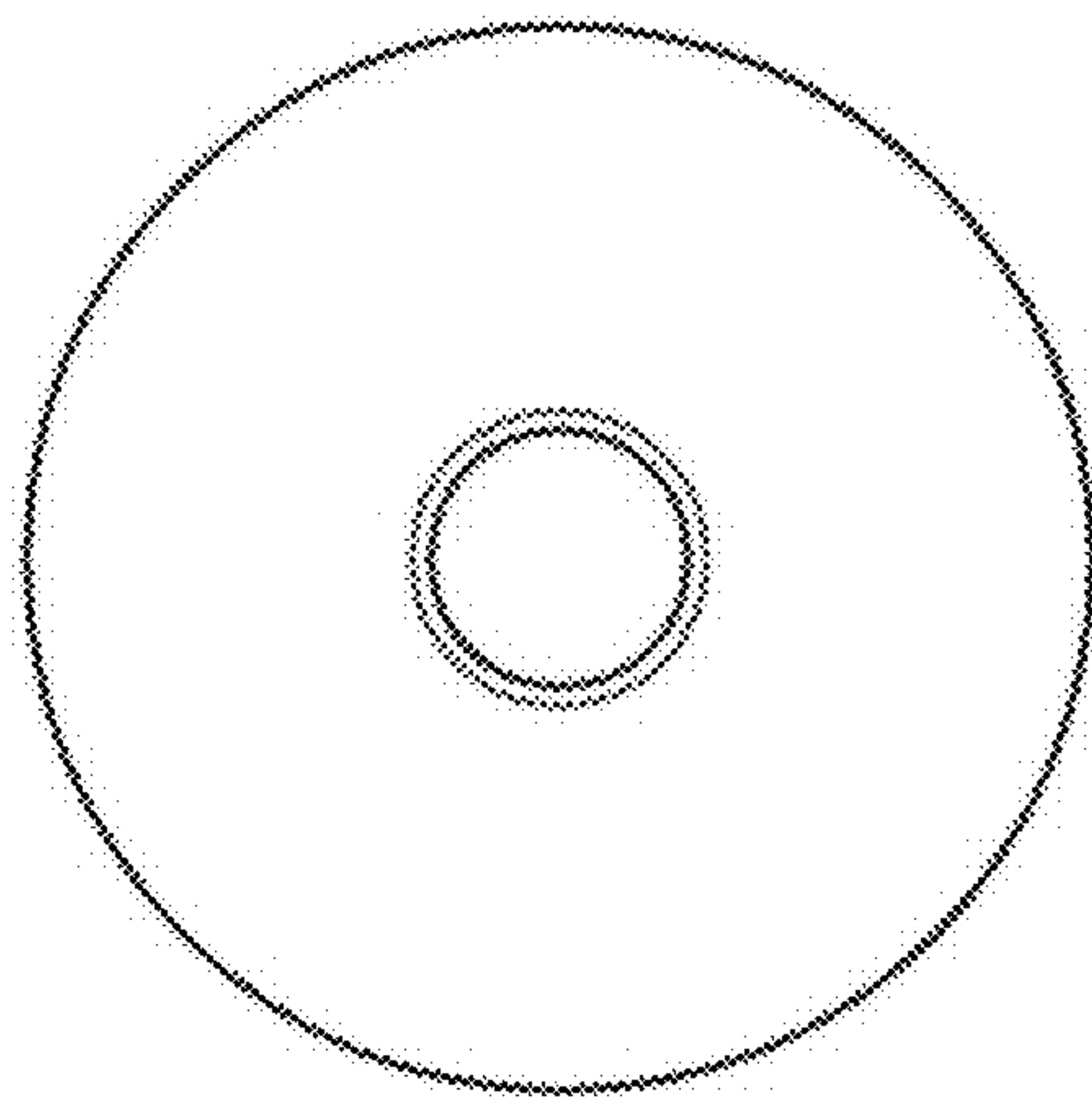
1.4



1.5

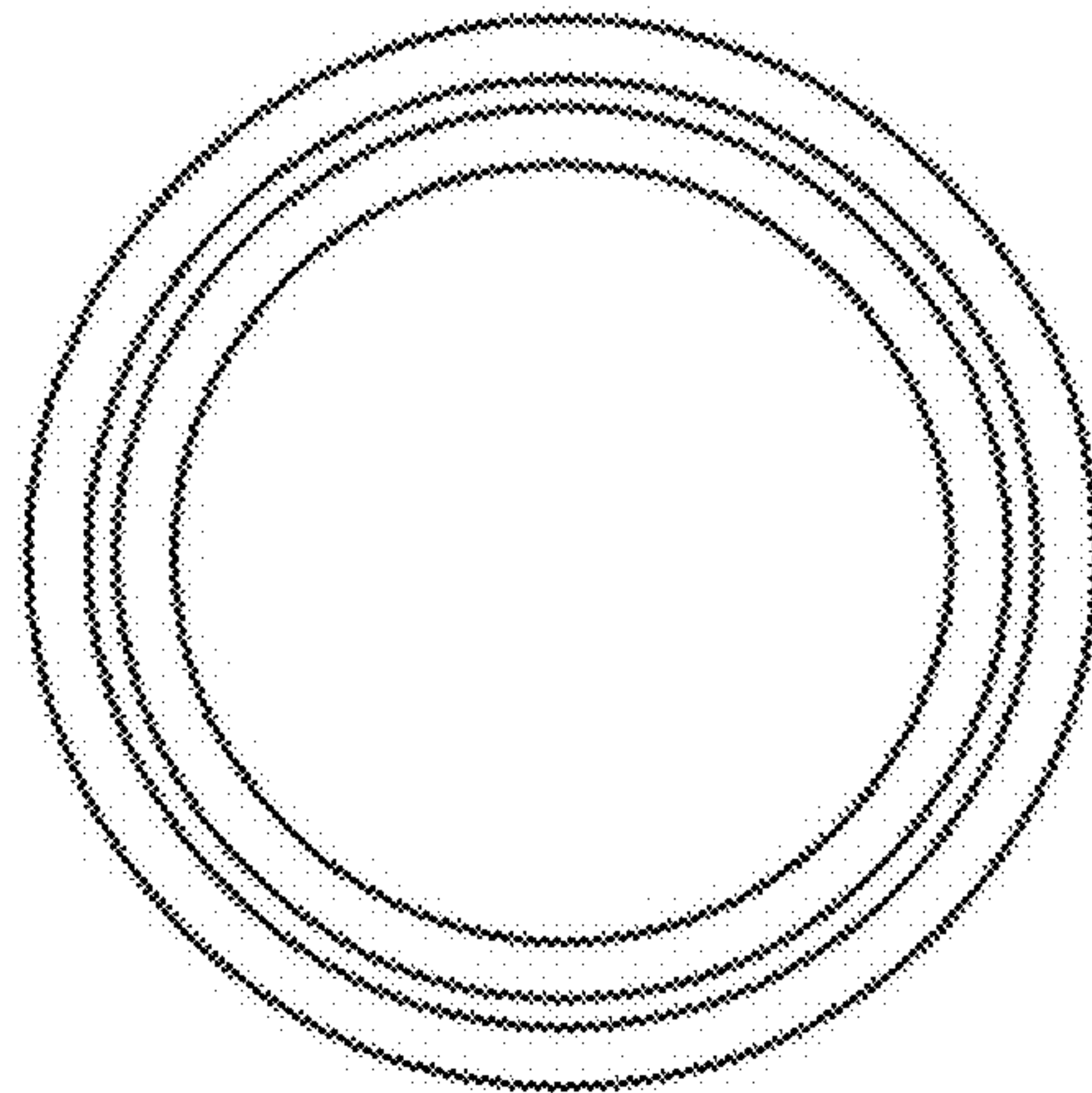


**1.6**





**1.7**





1.8

