



US00D809119S

(12) **United States Design Patent**
Ho

(10) **Patent No.:** **US D809,119 S**

(45) **Date of Patent:** **** Jan. 30, 2018**

(54) **TOWER FAN**

(71) Applicant: **Seville Classics Inc.**, Torrance, CA
(US)

(72) Inventor: **Edwin Yichen Ho**, Irvine, CA (US)

(73) Assignee: **Seville Classics, Inc.**, Torrance, CA
(US)

(**) Term: **15 Years**

(21) Appl. No.: **29/526,876**

(22) Filed: **May 13, 2015**

(51) **LOC (11) Cl.** **23-04**

(52) **U.S. Cl.**
USPC **D23/378**

(58) **Field of Classification Search**
USPC D23/370, 371, 373, 377-379, 381, 382,
D23/385-388, 411, 412, 356, 358, 359,
D23/363, 328, 332, 335, 342; D13/179;
D26/59

CPC F04D 25/088; F04D 29/005; F04D 29/601;
F04D 29/324; F21V 33/0096; F21V
33/0092; F24F 13/078

See application file for complete search history.

(56) **References Cited**

U.S. PATENT DOCUMENTS

732,341 A	6/1903	Devine	
963,849 A	7/1910	Barker	
1,073,617 A	9/1913	Motter et al.	
1,334,958 A	3/1920	McEwen	
4,469,084 A	9/1984	Gilotti	
4,486,144 A	12/1984	Hung	
RE34,334 E	8/1993	Chaney	
5,266,004 A	11/1993	Tsumuari et al.	
5,435,817 A	7/1995	Davis et al.	
D389,567 S *	1/1998	Gudefin	D23/370
5,984,991 A	11/1999	Glucksman	

D423,093 S *	4/2000	Fok	D23/370
6,077,260 A	6/2000	Wheelock et al.	
6,156,085 A	12/2000	Chiu et al.	
6,344,065 B1	2/2002	Boulva	
6,406,258 B1	6/2002	Lin et al.	
6,491,502 B2	12/2002	Hunt	
6,499,651 B2	12/2002	Gerrie et al.	
D479,593 S *	9/2003	Fok	D23/378
D479,743 S *	9/2003	Fok	D23/378
D483,466 S *	12/2003	Shapiro	D23/378
6,953,322 B2	10/2005	Lim	
7,217,098 B2	5/2007	Lim	
D580,541 S *	11/2008	Bucher	D23/378
D581,038 S *	11/2008	Boswell	D23/378
D634,836 S *	3/2011	Lewis	D23/378
7,905,902 B2	3/2011	Huitema et al.	
8,016,853 B2	9/2011	Griffen et al.	
D685,078 S *	6/2013	Sidell	D23/378
D757,922 S *	5/2016	Tang	D23/364
2003/0021682 A1	1/2003	Tseng	
2007/0270942 A1	11/2007	Thomas	

(Continued)

Primary Examiner — Janice Hallmark

(74) *Attorney, Agent, or Firm* — Raymond Sun

(57) **CLAIM**

The ornamental design for a tower fan, as shown and described.

DESCRIPTION

FIG. 1 is a perspective view of a tower fan showing my new design;

FIG. 2 is a rear plan view thereof;

FIG. 3 is a front plan view thereof;

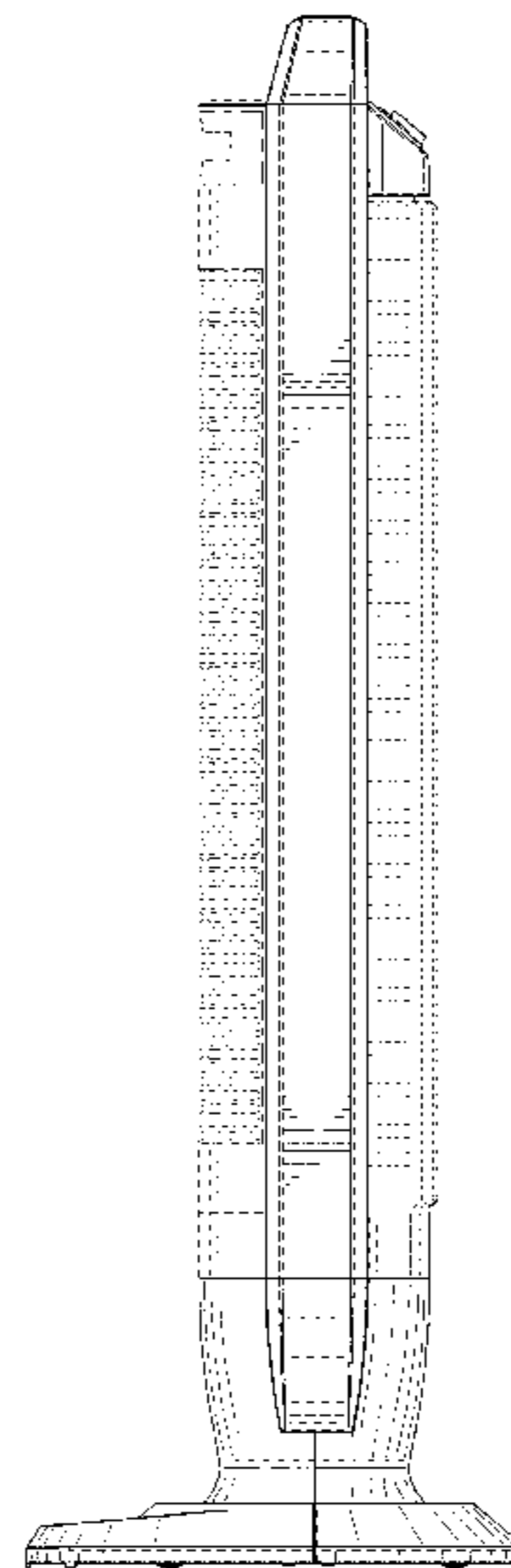
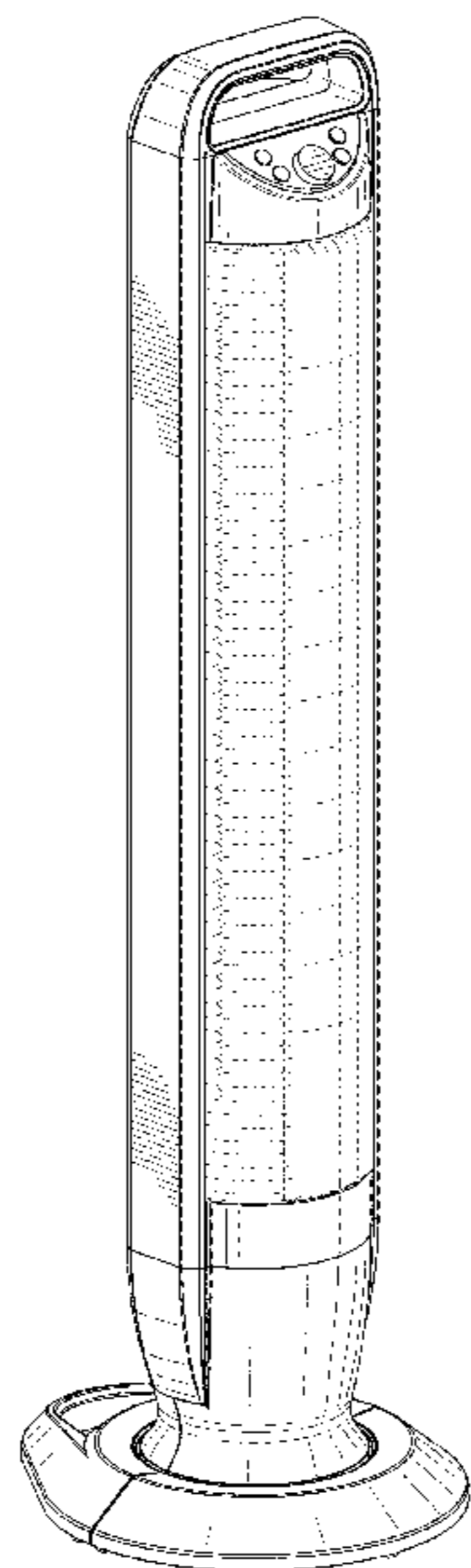
FIG. 4 is a right plan view thereof;

FIG. 5 is a left plan view thereof; and,

FIG. 6 is a top plan view thereof.

The dash-dash broken lines depict portions of the tower fan; the long dash-short dash lines depict boundaries of the claim; all broken lines are unclaimed.

1 Claim, 6 Drawing Sheets



(56)

References Cited

U.S. PATENT DOCUMENTS

2008/0161906 A1 7/2008 Atanososka et al.
2012/0216985 A1* 8/2012 Tai F24H 9/0057
165/59
2012/0219434 A1* 8/2012 Tai F04D 25/10
417/234

* cited by examiner

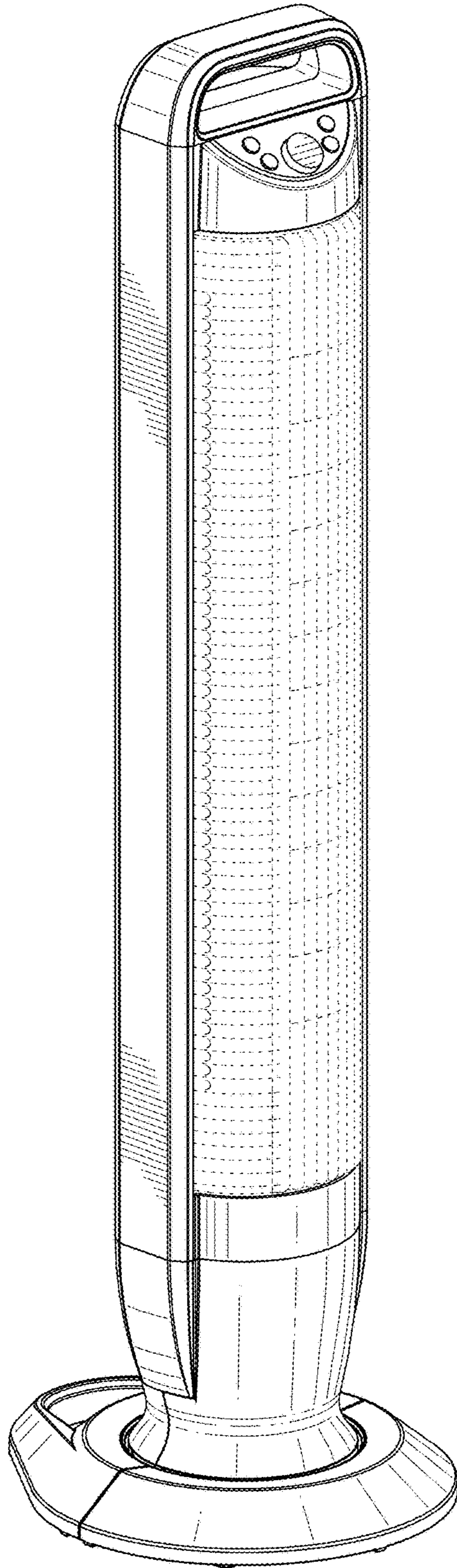


FIG. 1

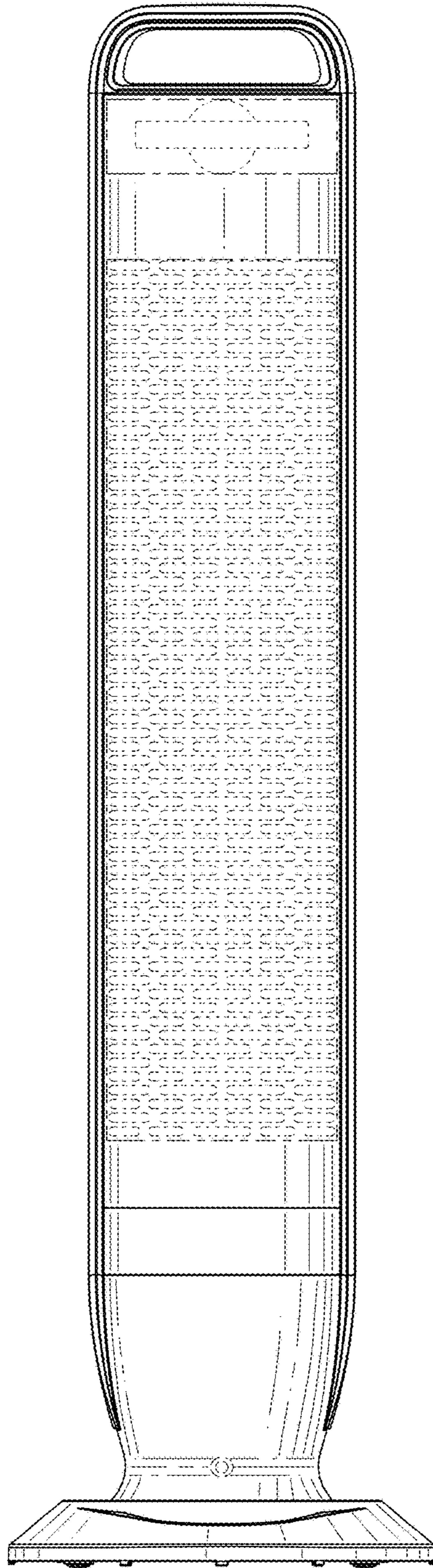


FIG. 2

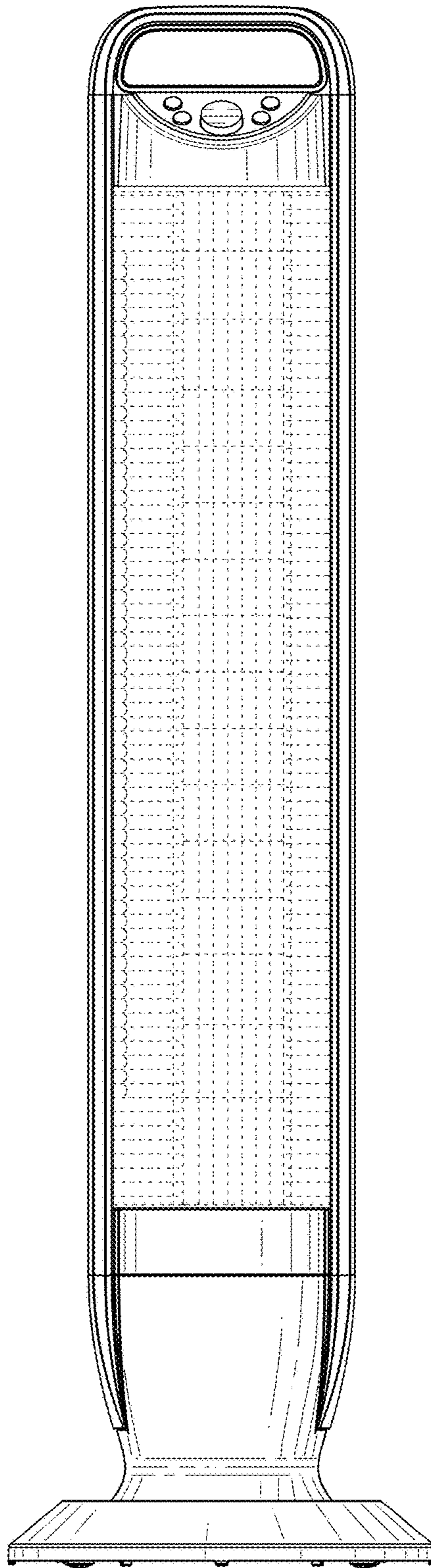


FIG. 3

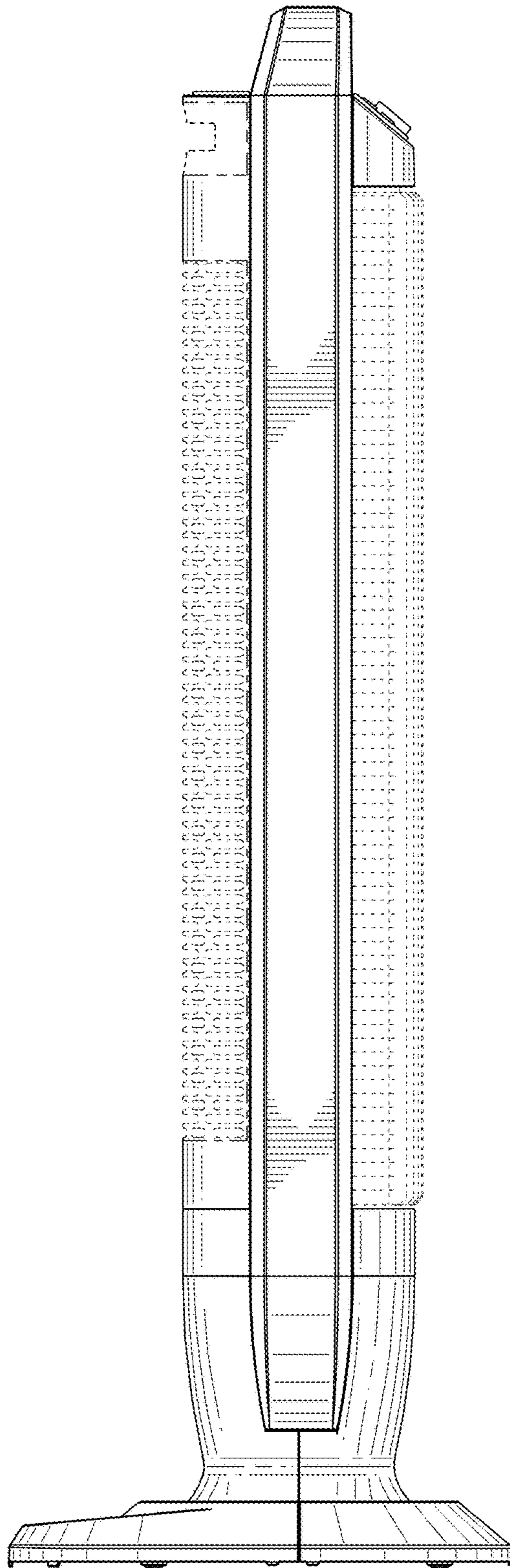


FIG. 4

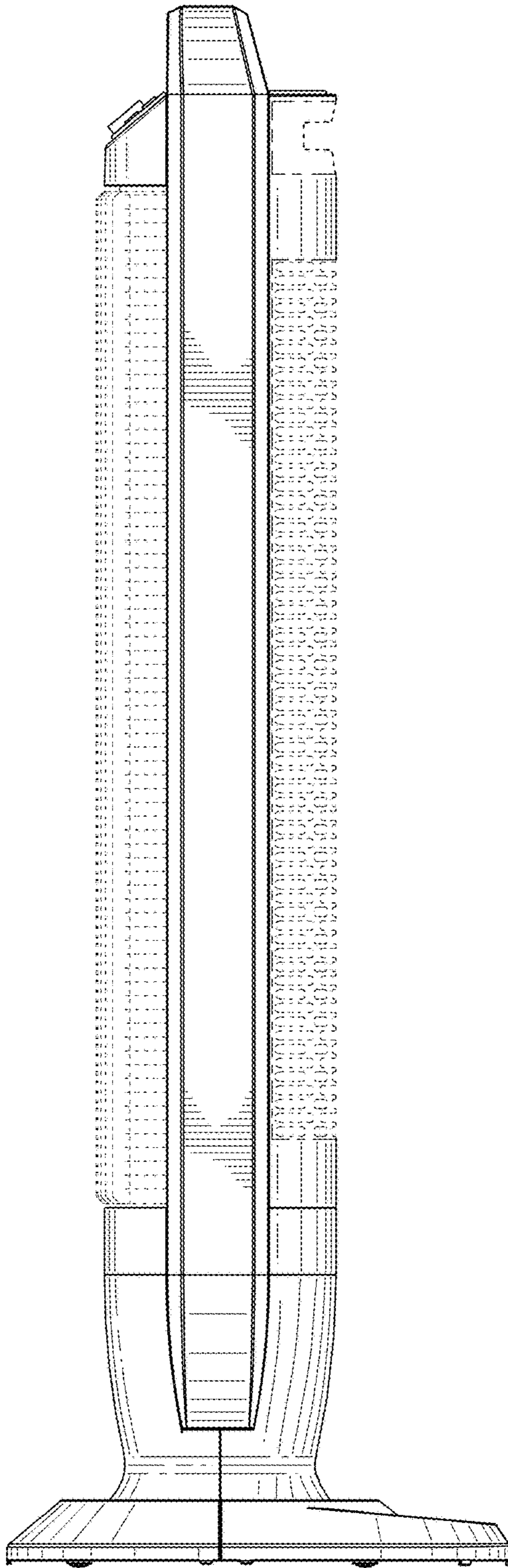


FIG. 5

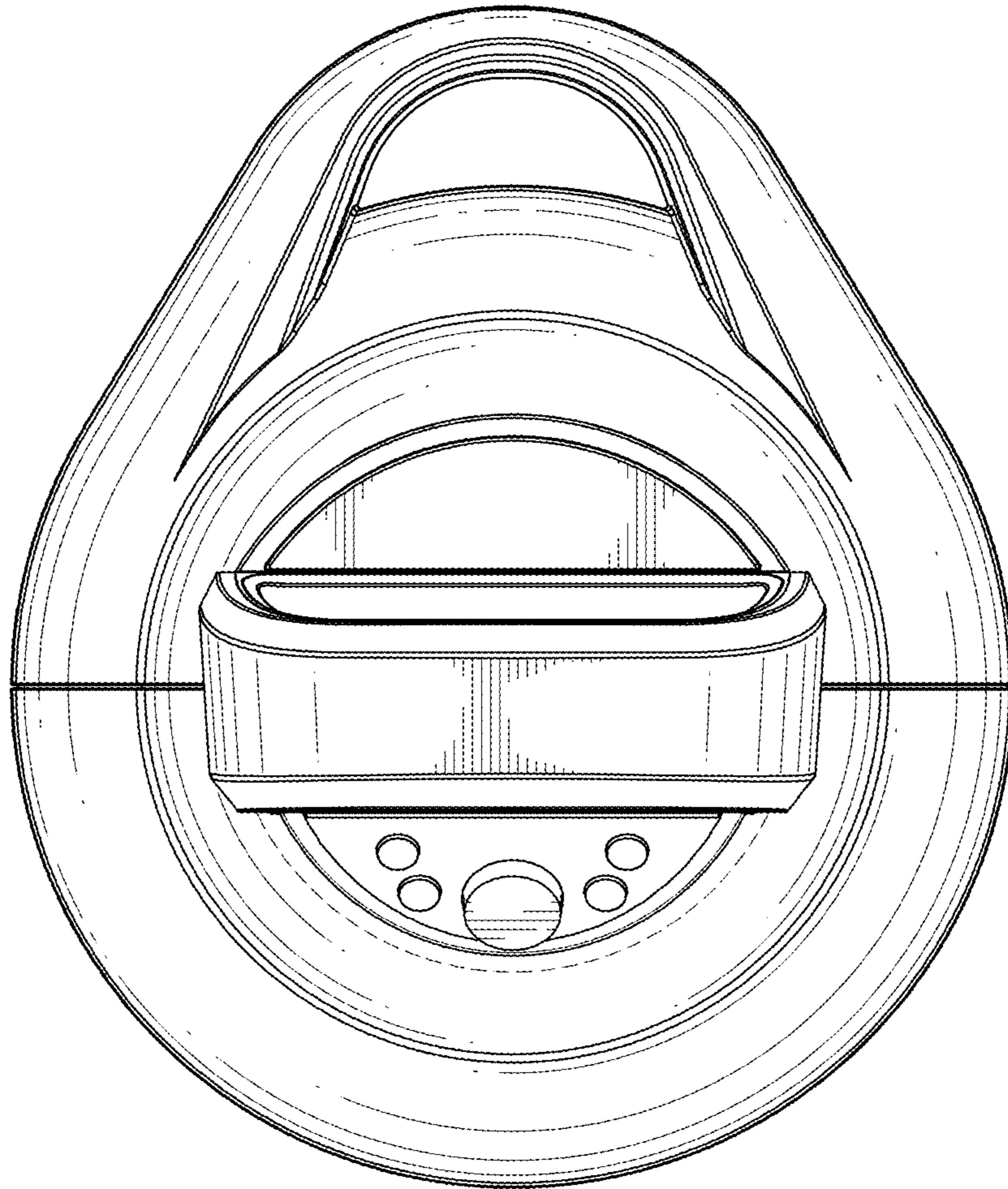


FIG. 6