



US00D809118S

(12) **United States Design Patent** (10) **Patent No.:** **US D809,118 S**
Guthrie et al. (45) **Date of Patent:** **** Jan. 30, 2018**

(54) **CEILING FAN** 7,210,910 B1 * 5/2007 Parker F04D 25/088
416/223 R
(71) Applicant: **HUNTER FAN COMPANY,** D603,955 S * 11/2009 Patton D23/411
Memphis, TN (US) D609,799 S * 2/2010 Lee D23/377
D705,970 S * 5/2014 Ertze D26/59
(72) Inventors: **Benjamin Scotti Guthrie,** D706,407 S 6/2014 Wang
Germantown, TN (US); **Claire Bernice** D744,634 S 12/2015 Wang
McRoberts, Memphis, TN (US) D773,634 S * 12/2016 Wang D23/385
D778,422 S * 2/2017 Gajewski D23/377
D795,412 S * 8/2017 Schulzman D23/377
(73) Assignee: **Hunter Fan Company,** Memphis, TN
(US)
(Continued)

(**) Term: **15 Years**

(21) Appl. No.: **29/557,327**

(22) Filed: **Mar. 8, 2016**

(51) **LOC (11) Cl.** **23-04**

(52) **U.S. Cl.**
USPC **D23/377**

(58) **Field of Classification Search**
USPC D23/355, 370-376, 378, 380-384,
D23/386-387, 412, 414, 377, 379, 385,
D23/411, 413
CPC F04D 25/088; F21V 33/0096
See application file for complete search history.

(56) **References Cited**

U.S. PATENT DOCUMENTS

4,518,314 A * 5/1985 Schultz F04D 25/088
416/5
D284,304 S * 6/1986 Harber 416/5
D297,973 S * 10/1988 Everett, Jr. D23/377
D297,974 S * 10/1988 Sonneman D23/377
D314,618 S * 2/1991 Yen D23/377
D329,087 S * 9/1992 Markwardt D23/377
D333,867 S 3/1993 Markwardt
D344,129 S * 2/1994 Markwardt D23/377
D344,794 S * 3/1994 Galler D23/377
D485,348 S 1/2004 Stauffer
D536,085 S * 1/2007 Clymer D23/377

OTHER PUBLICATIONS

Orion-Contemporary Series, date first captured Nov. 29, 2014, CENS.com, site visited Aug. 30, 2017, Copyright © 1995-2017, Available from Internet, https://web.archive.org/web/20141129140116/http://cens.com/cens/html/en/product/product_main_77128.html.*

(Continued)

Primary Examiner — Cathron C Brooks
Assistant Examiner — Sharon S Oum
(74) *Attorney, Agent, or Firm* — McGarry Bair PC

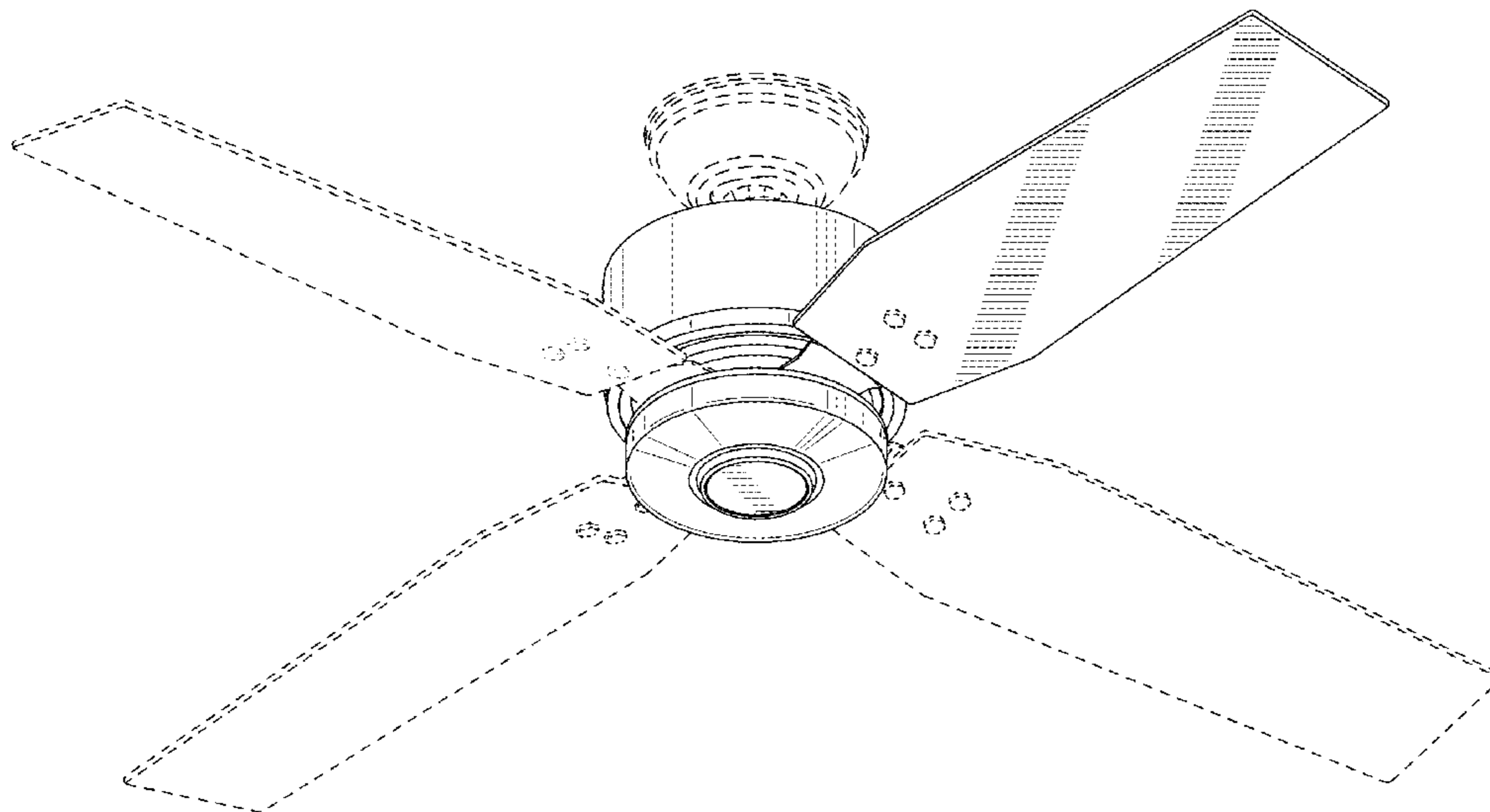
(57) **CLAIM**

The ornamental design for a ceiling fan, as shown and described.

DESCRIPTION

FIG. 1 is a bottom perspective view of a ceiling fan showing our new design;
FIG. 2 is a top perspective view of the ceiling fan of FIG. 1;
FIG. 3 is a front side view of the ceiling fan of FIG. 1, with rear, right, and left side views being mirror images thereof;
FIG. 4 is a bottom view of the ceiling fan of FIG. 1; and,
FIG. 5 is a top view of the ceiling fan of FIG. 1.
Portions of the ceiling fan shown in broken lines form no part of the claimed design.

1 Claim, 5 Drawing Sheets



(56)

References Cited

U.S. PATENT DOCUMENTS

2005/0141997 A1* 6/2005 Rast F04D 25/088
416/229 R
2015/0369252 A1* 12/2015 Janecek H02K 21/145
417/420

OTHER PUBLICATIONS

<http://www.homedepot.com/p/Hampton-Bay-Alida-5, 52-in-Oil-Rubbed-Bronze-Ceiling-Fan-YG22-ORB/202519632>, Alida 52 in. Oil-Rubbed Bronze Ceiling Fan, YG22-ORB, accessed Mar. 8, 2016.
<http://www.sportsmansguide.com/product/index/john-marshall-buckhead-series-hardwoods-camo-ceiling-fan-with-gunmetal-buckheads-on-blades-and-a-4-light-marble-alabaster-light-kit?a=273375>, John Marshall Buckhead Series Hardwoods Camo Ceiling Fan with Gunmetal Buckheads on Blades and a 4-Light Marble Alabaster Light Kit, WX2-109428, accessed Mar. 8, 2016.
<http://www.montecarlofans.com/44073/60in-Empire---Brushed-Steel-8EER60BSD.html>, 60" Empire—Brushed Steel, BEER60BSD, accessed Mar. 8, 2016.
<http://www.homedepot.com/p/Hampton-Bay-Ellijay-52-in-Natural-Iron-Indoor-Outdoor-Ceiling-Fan-YG205-NI/202549824>, Ellijay 52 in. Natural Iron Indoor/Outdoor Ceiling Fan, YG205-NI, accessed Mar. 8, 2016.
<http://www.montecarlofans.com/38129/52-Vision---Oil-Rubbed-Bronze-3VNR52OZD.html>, 52" Vision—Oil Rubbed Bronze, 3VNR52OZD, accessed Mar. 8, 2016.
<http://www.hunterfan.com/Ceiling-Fans/>

Windemere?ModelNumber=59039, Windemere—54" Ceiling Fan, 59039, accessed Mar. 8, 2016.
<http://www.fanimation.com/products/index.php/fans/cancun-wet.html>, Cancun Wet, FP8012, accessed Mar. 8, 2016.
<http://www.craftmade.com/Craftmade-VE58FB3-Flat-Black-Ceiling-Fan.HTM>, <http://www.craftmade.com/Craftmade-VE58FB3-Flat-Black-Ceiling-Fan.HTM>, VE58FB3, accessed Mar. 8, 2016.
<http://www.hunterpacific.com.au/typhoonM2.php>, Typhoon Mach 2, accessed Mar. 8, 2016.
<http://www.kichler.com/products/product/56-inch-industrial-fan-sbk-337015sbk.aspx>, Industrial Collection 56 Inch Industrial Fan SBK, 337015SBK, accessed Mar. 8, 2016.
<http://www.quoruminternational.com/index.cfm/app/productDetail?product=81524-8641, 81524-864>, accessed Mar. 3, 2016.
<http://www.quoruminternational.com/index.cfm/app/productDetail?product=64525-86, 64525-86>, accessed Mar. 8, 2016.
<http://www.bargainoutfitters.com/net/cb/cb.aspx?a=231677>, Buckhead™ Series Mossy Oak® Break-Up® Camo Ceiling Fan with Light Kit, BOFS-109431, accessed Mar. 8, 2016.
http://www.efaucets.com/detail.asp?Product_ID=CRA-K10501&ca=gpsl&CAWELAID=330001430000072175&CAGPSPN=pla&gclid=CNHG6teencsCFQiJaQod8_IGeg, Craftmade CRA-K10501 Universal 52" Ceiling Fan with Plus Series Damp Rated Mossy Oak Break-Up Infinity Blades, CRA-K10501, accessed Mar. 8, 2016.
<http://www.amazon.com/Fan-Blade-Designs-KE-XXLG-93OR-Ceiling/dp/B00XBMD2TA>, Fan Blade Designs KE-XXLG-93OR Ceiling Fan Blade Covers, True Timber, KE-XXLG-93OR, accessed Mar. 8, 2016.

* cited by examiner

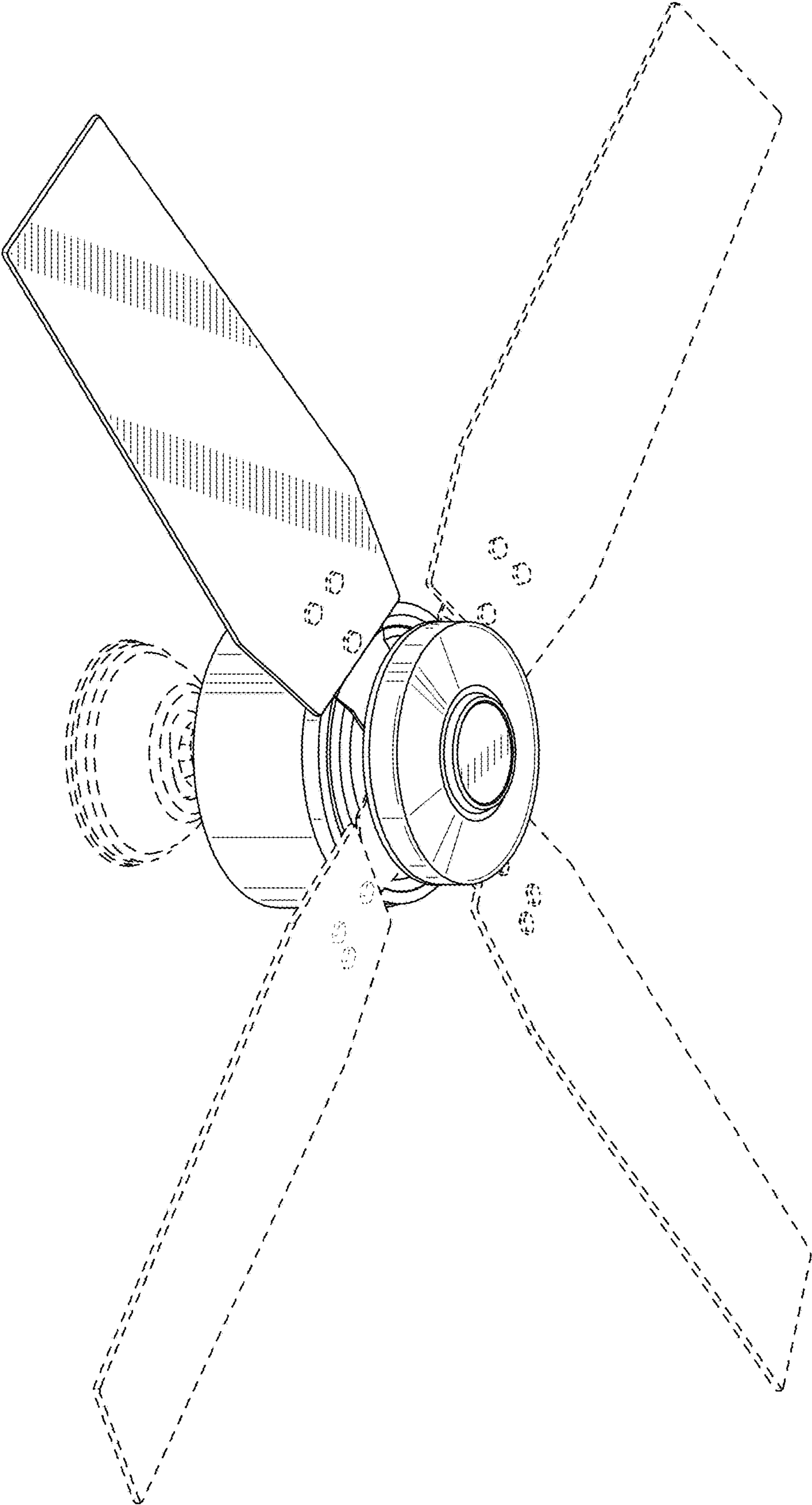


FIG.1

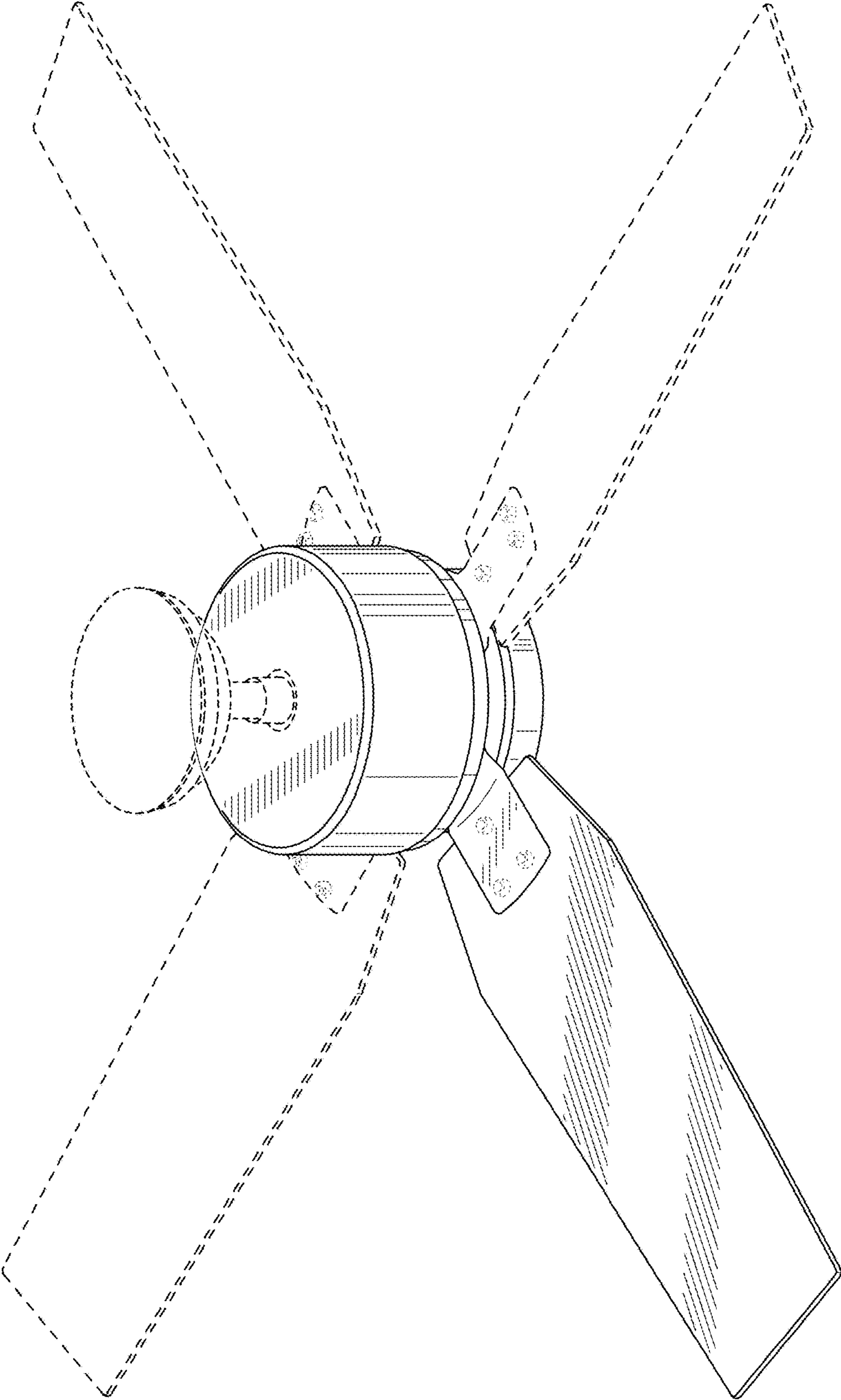


FIG. 2

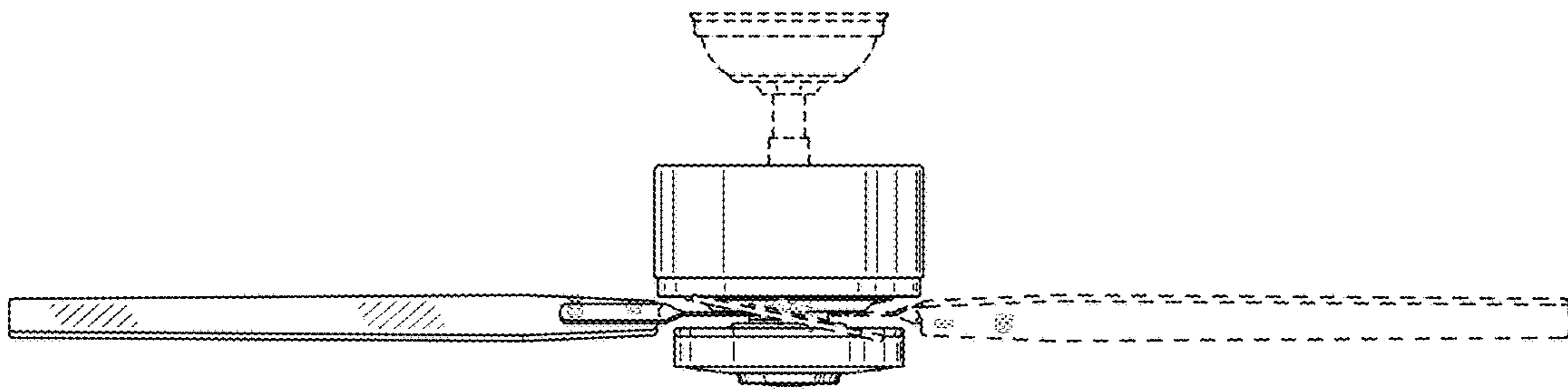


FIG. 3

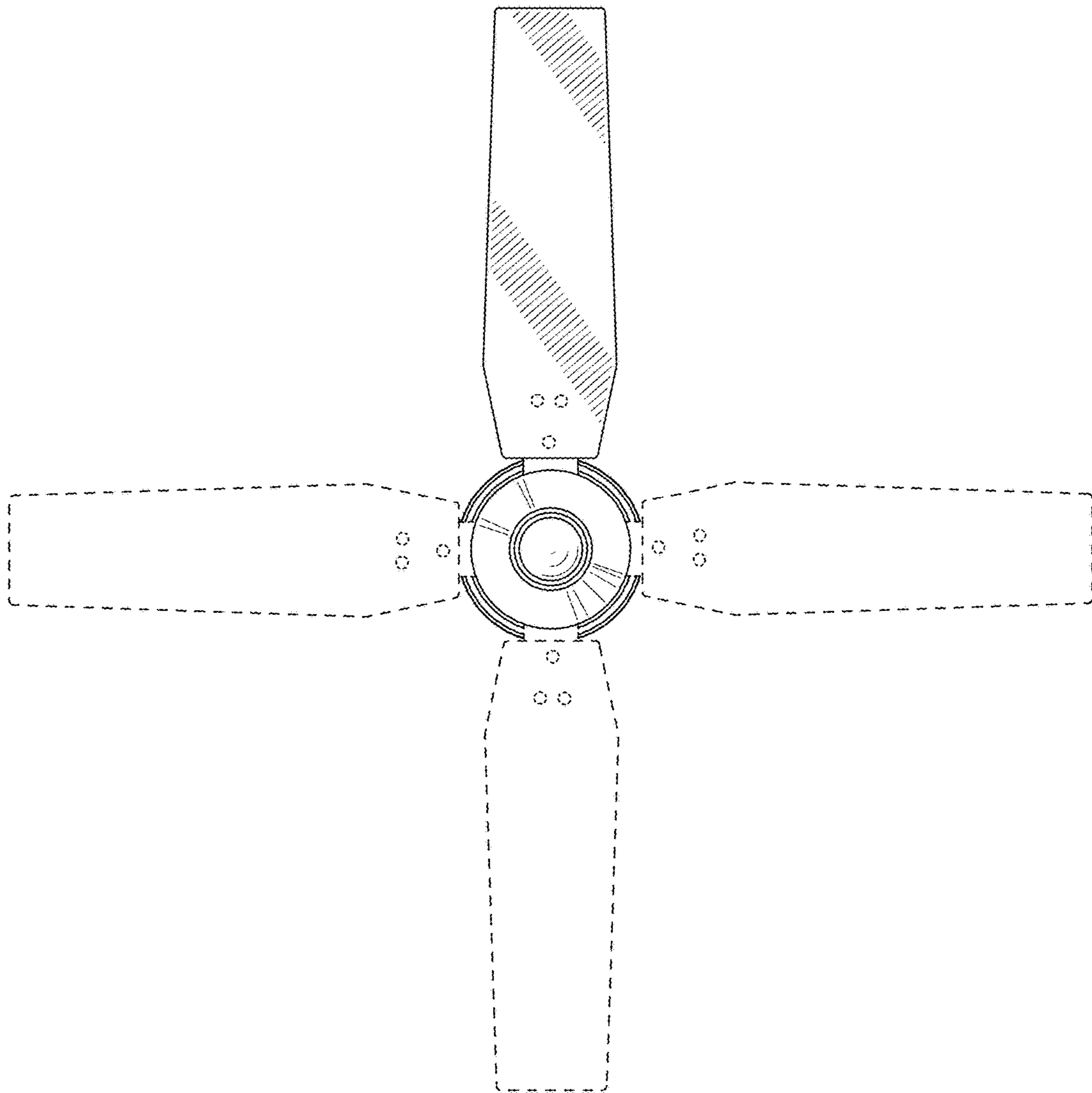


FIG.4

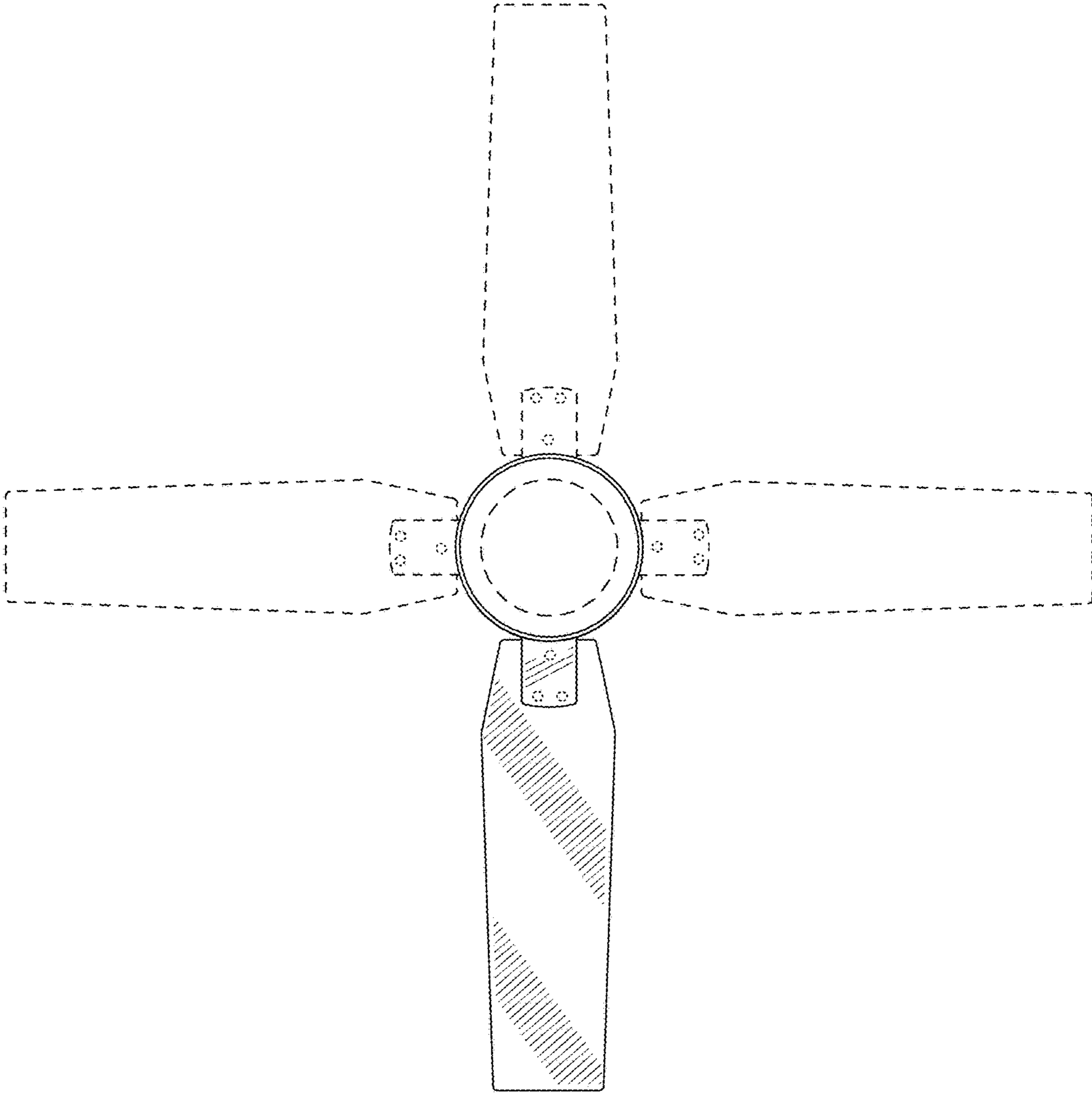


FIG.5