



US00D809116S

(12) **United States Design Patent** (10) **Patent No.:** **US D809,116 S**
Jones et al. (45) **Date of Patent:** **** Jan. 30, 2018**

(54) **DISPENSER**
(71) Applicant: **Pura Scents, Inc.**, Orem, UT (US)
(72) Inventors: **Brian Aaron Jones**, Orem, UT (US);
Bruno Miranda Lima, Orem, UT
(US); **Richard Nathaniel Stapler, III**,
Orem, UT (US)

4,218,785 A 8/1980 Crawford et al.
4,331,289 A 5/1982 Killy
4,396,143 A 8/1983 Killy
4,483,769 A 11/1984 Sherman
4,490,075 A 12/1984 Risi et al.
4,523,604 A 6/1985 Hutto
4,530,497 A 7/1985 Moran et al.

(Continued)

(73) Assignee: **Pura Scents**, Orem, UT (US)

(**) Term: **15 Years**

(21) Appl. No.: **29/544,343**

(22) Filed: **Nov. 2, 2015**

(51) **LOC (11) Cl.** **28-99**

(52) **U.S. Cl.**

USPC **D23/366**

(58) **Field of Classification Search**

USPC D23/355-369; D28/5, 6; 261/DIG. 17,
261/DIG. 42, DIG. 47, DIG. 55, DIG. 65,
261/DIG. 70, DIG. 88, DIG. 89; 392/386,
392/389, 394, 395, 403; 239/34, 44, 45,
239/53, 56; D9/522, 549, 556

CPC ... A61L 9/02; A61L 9/03; A61L 9/034; A61L
9/04; A61L 9/12; A61L 9/032; A61L
9/122; A61L 9/127; A61L 9/22

See application file for complete search history.

(56) **References Cited**

U.S. PATENT DOCUMENTS

2,732,148 A 1/1956 Lummis
3,195,581 A 7/1965 Brosseit
3,645,493 A 2/1972 Manoogian et al.
3,786,995 A 1/1974 Manoogian et al.
3,876,498 A 4/1975 Justus
3,923,593 A 12/1975 Verseput
4,043,359 A 8/1977 Christo
4,128,357 A 12/1978 Barth et al.
D254,930 S * 5/1980 Mandon D23/369

FOREIGN PATENT DOCUMENTS

EP 0345149 A3 12/1989
WO 9012600 11/1990

(Continued)

Primary Examiner — Sandra Snapp

(74) *Attorney, Agent, or Firm* — Patent Law Works LLP

(57) **CLAIM**

The ornamental design for a dispenser, as shown and described.

DESCRIPTION

FIG. 1 is a top, front perspective view showing the new design;

FIG. 2 is a bottom, back perspective view showing the new design;

FIG. 3 is a top plan view showing the new design;

FIG. 4 is a bottom plan view showing the new design;

FIG. 5 is a right side elevation view showing the new design;

FIG. 6 is a left side elevation view showing the new design;

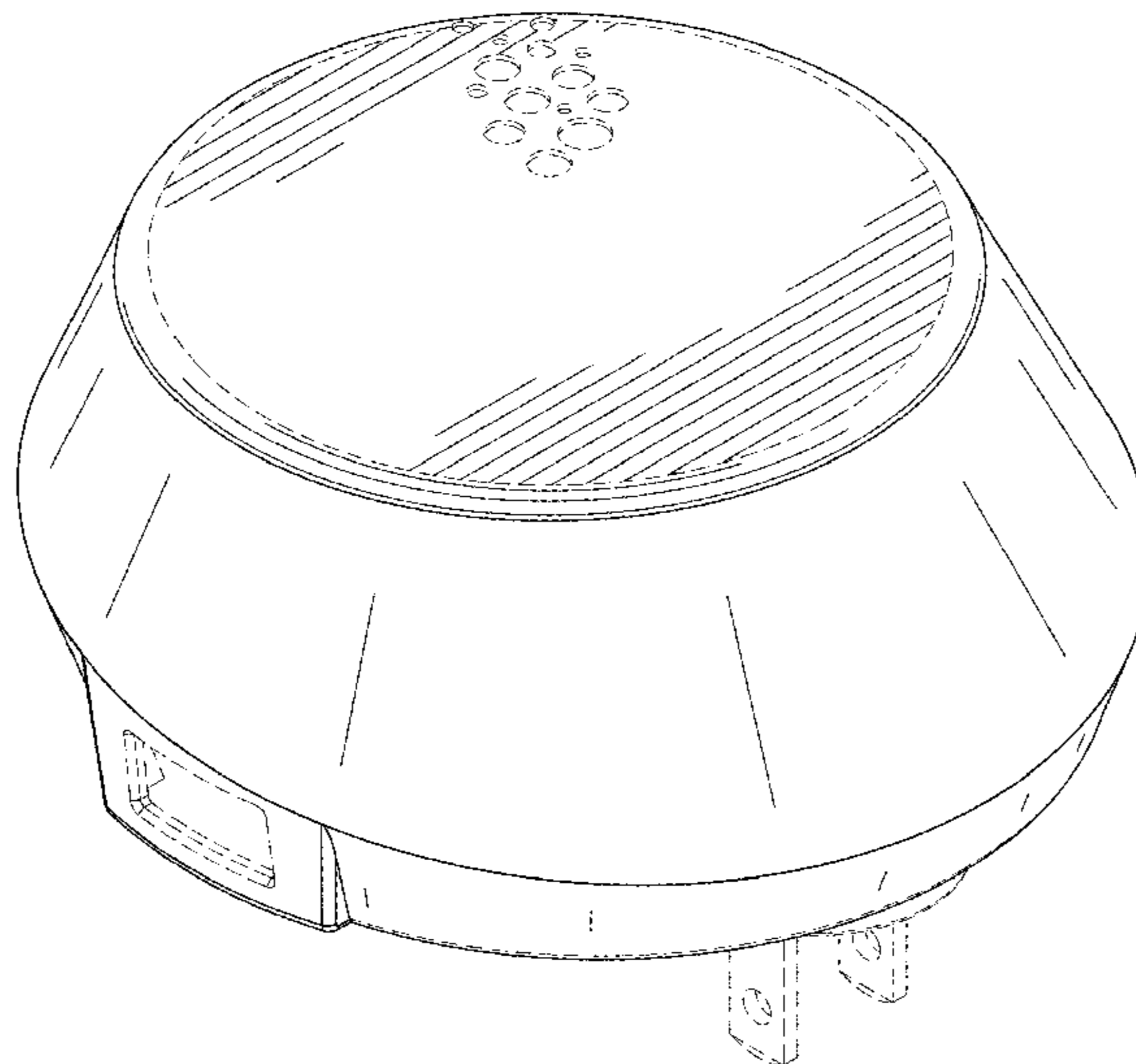
FIG. 7 is a front elevation view showing the new design;

FIG. 8 is a back elevation view showing the new design; and,

FIG. 9 is an exploded top, front perspective view showing the new design.

Within the drawings, the dashed lines show unclaimed portions of the dispenser, and form no part of the claimed design.

1 Claim, 7 Drawing Sheets



(56)

References Cited

U.S. PATENT DOCUMENTS

4,544,305 A 10/1985 Hair
 4,557,720 A 12/1985 Hemphill
 4,562,960 A 1/1986 Marty et al.
 4,563,937 A 1/1986 White
 4,577,653 A 3/1986 Marty
 4,583,341 A 4/1986 Barth et al.
 4,586,255 A 5/1986 Jacobson
 4,593,430 A 6/1986 Spangler et al.
 4,601,148 A 7/1986 Risi et al.
 4,624,051 A 11/1986 Apprille, Jr. et al.
 4,696,322 A 9/1987 Knapp et al.
 4,703,875 A 11/1987 Malek
 4,707,592 A 11/1987 Ware
 4,722,847 A 2/1988 Heckert
 4,765,365 A 8/1988 Roland
 4,767,547 A 8/1988 Straathof et al.
 4,802,255 A 2/1989 Breuer et al.
 4,807,401 A 2/1989 Atwater
 4,815,659 A * 3/1989 Turko A01M 1/2038
 206/0.7
 4,834,575 A 5/1989 Barth et al.
 4,837,613 A 6/1989 Paxton et al.
 4,864,898 A 9/1989 Tricinella
 4,869,928 A 9/1989 Kurumatani et al.
 4,885,155 A 12/1989 Parran, Jr. et al.
 4,905,337 A 3/1990 McKay
 4,916,817 A 4/1990 Atwater
 4,929,351 A 5/1990 Saubom
 4,949,600 A 8/1990 Tricinella
 4,969,996 A 11/1990 Hankammer
 4,981,239 A 1/1991 Cappel et al.
 4,986,420 A 1/1991 Gunn et al.
 5,000,356 A 3/1991 Johnson et al.
 5,009,828 A 4/1991 McCree
 5,027,465 A 7/1991 McKay
 5,050,103 A 9/1991 Schiller et al.
 5,059,282 A 10/1991 Ampulski et al.
 5,063,062 A 11/1991 Greenspan et al.
 5,073,235 A 12/1991 Trokhan
 D323,383 S * 1/1992 Keays D23/366
 5,094,761 A 3/1992 Trinh et al.
 5,156,834 A 10/1992 Beckmeyer et al.
 5,191,525 A 3/1993 LeBrun et al.
 5,297,725 A 3/1994 Sutherland
 5,376,006 A 12/1994 Fischer
 D367,924 S * 3/1996 Patel D23/366
 5,511,122 A 4/1996 Atkinson
 5,535,474 A 7/1996 Salazar
 5,541,170 A 7/1996 Rhodes et al.
 D375,350 S * 11/1996 Patel D23/366
 5,583,122 A 12/1996 Benedict et al.
 5,620,965 A 4/1997 Blank
 5,652,228 A 7/1997 Bissett
 5,687,259 A 11/1997 Linford
 5,687,485 A 11/1997 Shurtleff et al.
 5,721,005 A 2/1998 Gutwein et al.
 5,735,011 A 4/1998 Asher
 5,746,598 A 5/1998 Fischer
 5,761,814 A 6/1998 Anderson et al.
 5,783,544 A 7/1998 Trinh et al.
 D399,945 S * 10/1998 Bonomo D23/366
 D400,662 S * 11/1998 Davis D23/366
 5,849,728 A 12/1998 Bissett
 5,872,112 A 2/1999 Blank
 5,891,453 A 4/1999 Sagel et al.
 5,894,017 A 4/1999 Sagel et al.
 D411,456 S 6/1999 Mast et al.
 5,922,307 A 7/1999 Montgomery
 5,924,597 A 7/1999 Lynn
 5,926,897 A 7/1999 Volpenhein
 5,930,474 A 7/1999 Dunworth et al.

5,956,848 A 9/1999 Tseng et al.
 5,956,851 A 9/1999 Apprille, Jr. et al.
 5,989,569 A 11/1999 Dirksing et al.
 5,997,890 A 12/1999 Sine et al.
 6,026,532 A 2/2000 Catanzaro
 6,041,926 A 3/2000 Petricca et al.
 6,045,811 A 4/2000 Dirksing et al.
 6,052,903 A 4/2000 Metcalf et al.
 6,067,525 A 5/2000 Johnson et al.
 6,077,318 A 6/2000 Trinh et al.
 6,096,342 A 8/2000 Dansereau et al.
 6,118,248 A 9/2000 Gartstein et al.
 6,126,980 A 10/2000 Smith et al.
 6,148,143 A * 11/2000 Steinel, Jr. A01M 1/2077
 219/536
 6,165,513 A 12/2000 Dansereau et al.
 6,185,822 B1 2/2001 Tseng et al.
 6,202,150 B1 3/2001 Young et al.
 6,212,777 B1 4/2001 Gilder et al.
 6,232,523 B1 5/2001 Tan et al.
 6,235,968 B1 5/2001 Tan et al.
 6,248,135 B1 6/2001 Trinh et al.
 6,248,390 B1 6/2001 Stillman
 6,251,384 B1 6/2001 Tan et al.
 6,265,008 B1 7/2001 Smith et al.
 6,266,674 B1 7/2001 Hejna, Jr.
 6,278,455 B1 8/2001 Baker
 6,284,007 B1 9/2001 Tao
 6,308,359 B2 10/2001 Fritsch et al.
 6,326,040 B1 12/2001 Kearney et al.
 6,331,292 B1 12/2001 Montgomery
 D455,485 S * 4/2002 Hensel D23/366
 6,367,108 B1 4/2002 Fritsch et al.
 6,457,969 B1 10/2002 Khosla
 6,487,367 B2 11/2002 Vieira
 6,497,735 B2 12/2002 Tao
 6,579,516 B1 6/2003 Mansouri
 D487,660 S 3/2004 Sayers et al.
 6,712,287 B1 3/2004 Le Pesant et al.
 D491,257 S * 6/2004 Picken, Jr. D23/366
 7,131,603 B2 11/2006 Sakaida et al.
 7,188,100 B2 3/2007 De Bellis et al.
 D551,333 S * 9/2007 Wu D23/366
 D555,778 S * 11/2007 Fellows D23/366
 RE40,464 E 8/2008 Vieira
 7,574,432 B1 8/2009 De Bellis
 D613,388 S * 4/2010 Koenig D23/366
 D615,415 S 5/2010 Holmes et al.
 7,712,683 B2 5/2010 Robert et al.
 D621,923 S * 8/2010 Koenig D23/366
 D623,532 S 9/2010 Kuzma et al.
 D629,881 S * 12/2010 Valentino D23/368
 D631,954 S * 2/2011 Bertassi D23/366
 7,930,068 B2 4/2011 Robert et al.
 D664,246 S * 7/2012 Irvin A61L 9/125
 D23/356
 8,346,894 B2 1/2013 Arunchalam
 8,429,005 B2 4/2013 Mannik et al.
 8,485,454 B1 * 7/2013 Irvin A61L 9/125
 239/34
 D724,193 S * 3/2015 Esses D23/366
 D732,652 S * 6/2015 Furner D23/366
 D743,519 S * 11/2015 Furner D23/366
 D751,683 S * 3/2016 Furner D23/368
 D782,638 S * 3/2017 Rossi D23/366
 2004/0005240 A1 1/2004 Adiga et al.
 2004/0050951 A1 3/2004 Almero

FOREIGN PATENT DOCUMENTS

WO 9623530 8/1996
 WO 2004080804 A2 9/2004

* cited by examiner

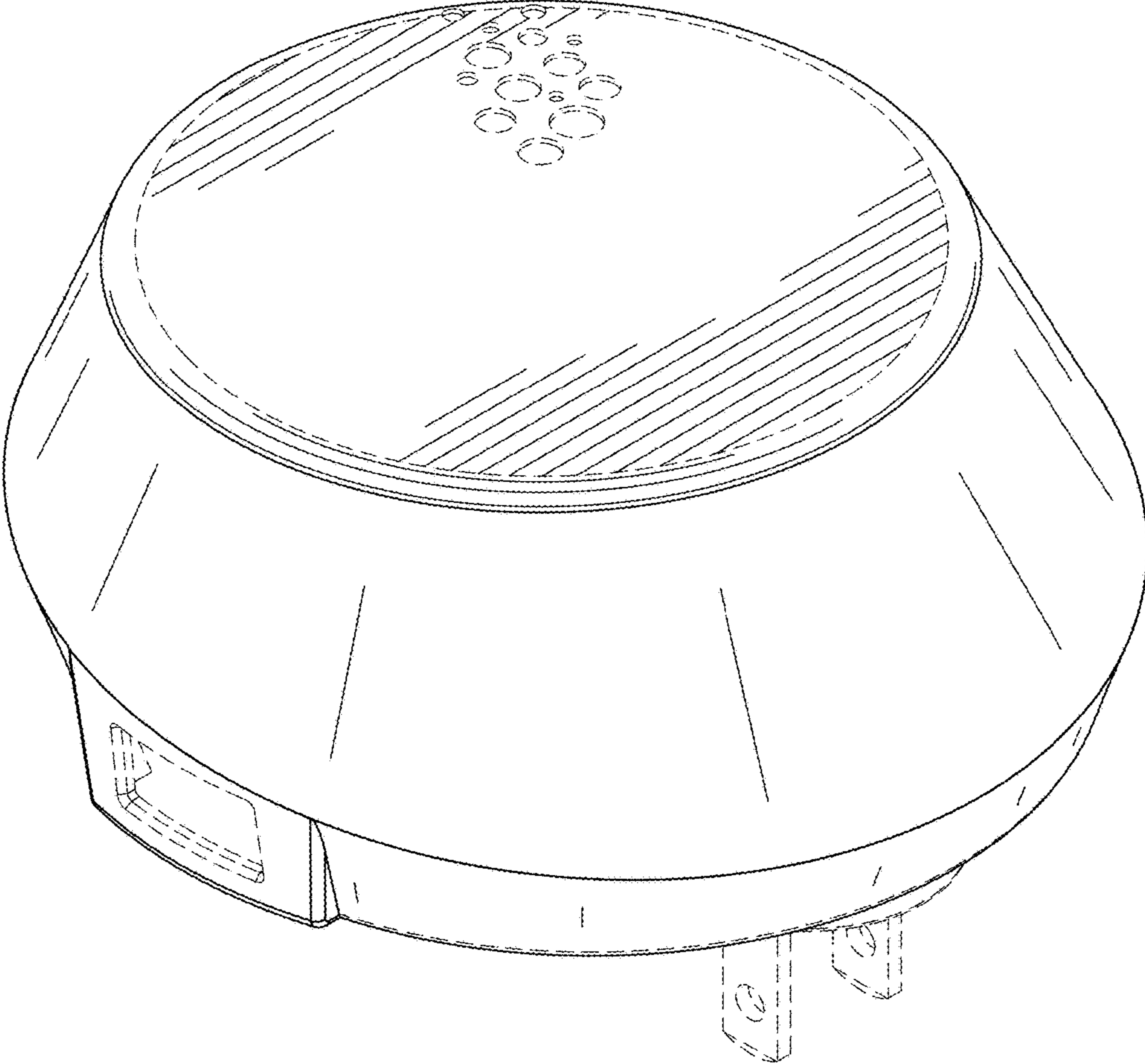


Figure 1

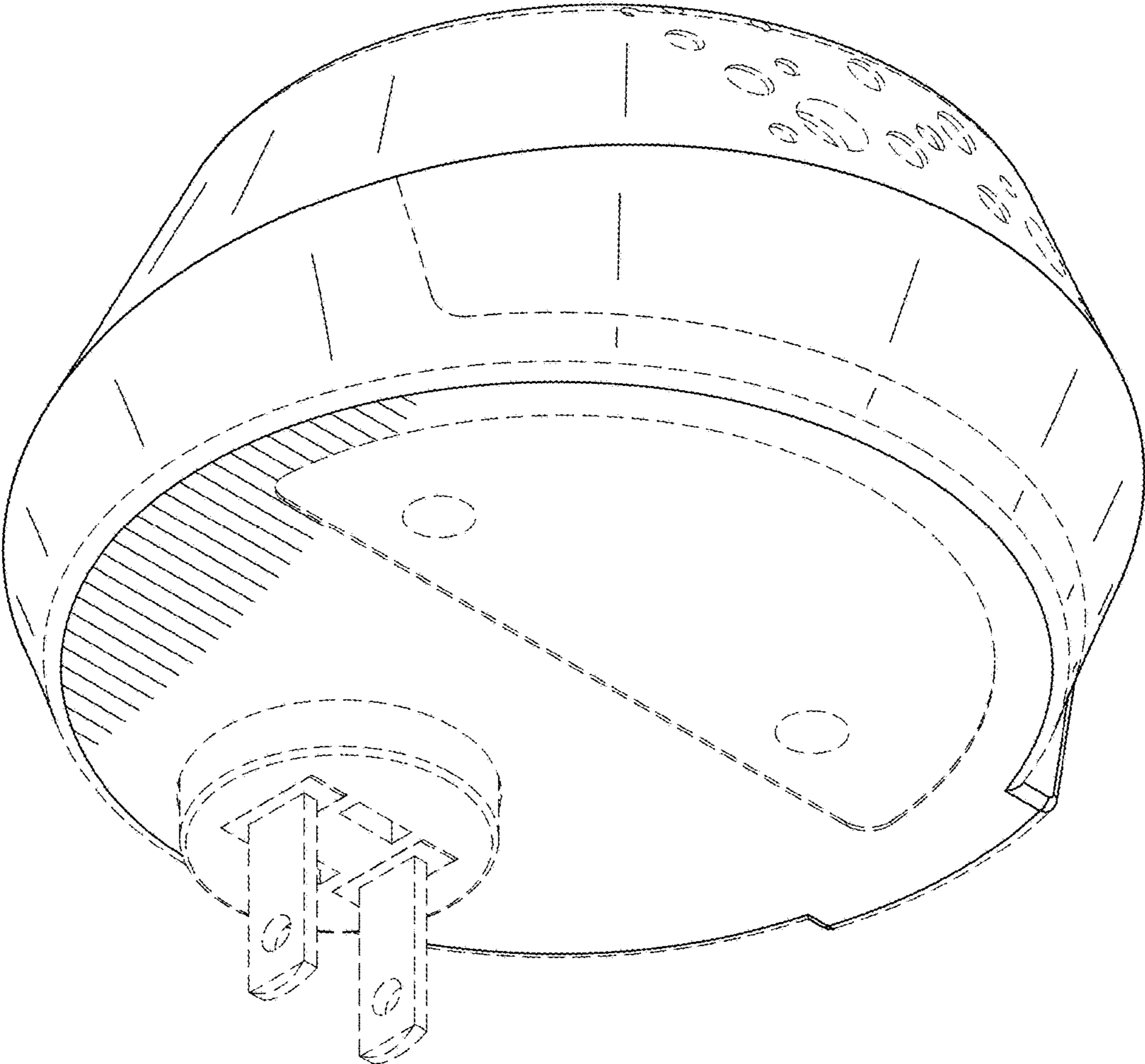


Figure 2

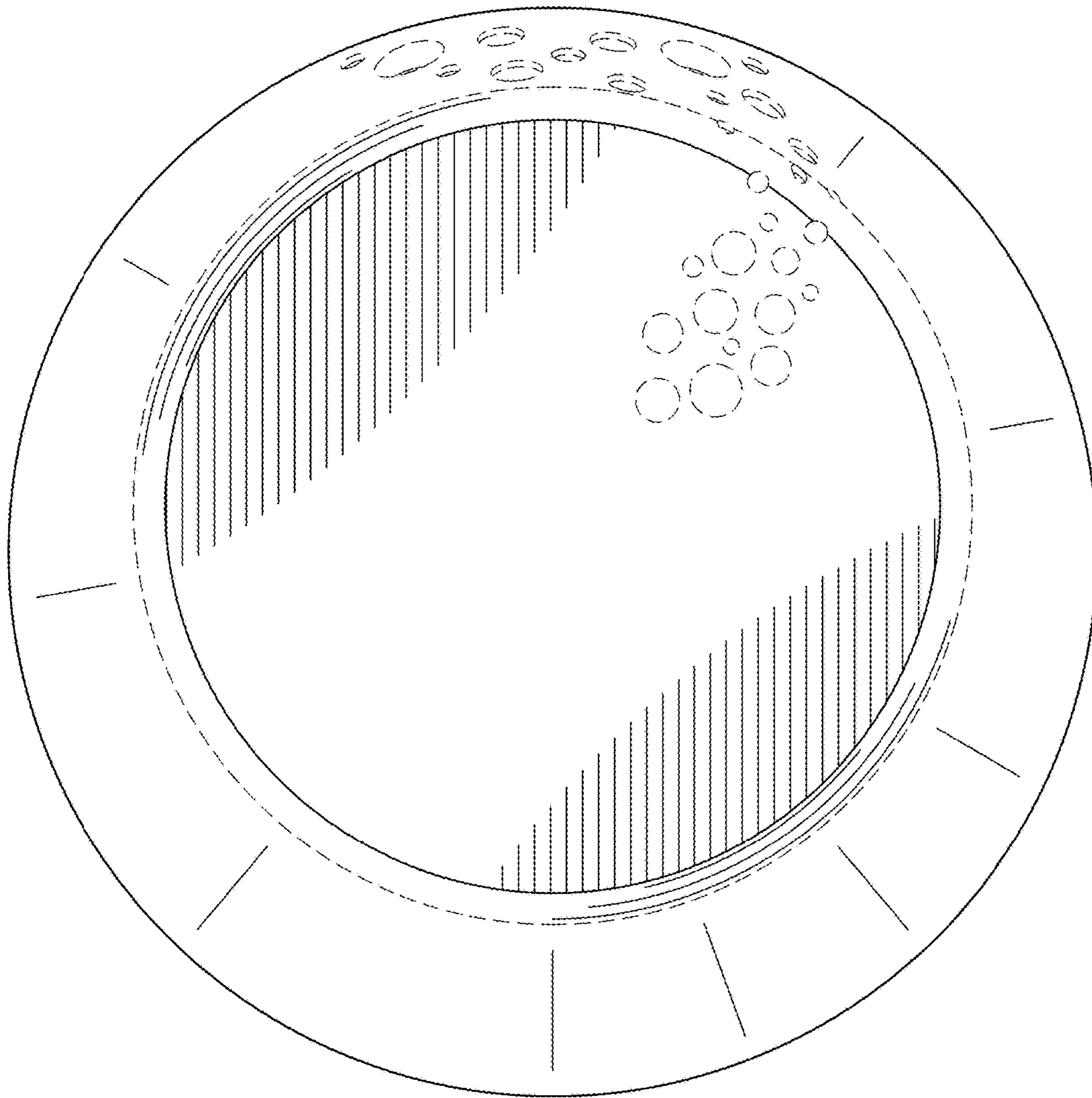


Figure 3

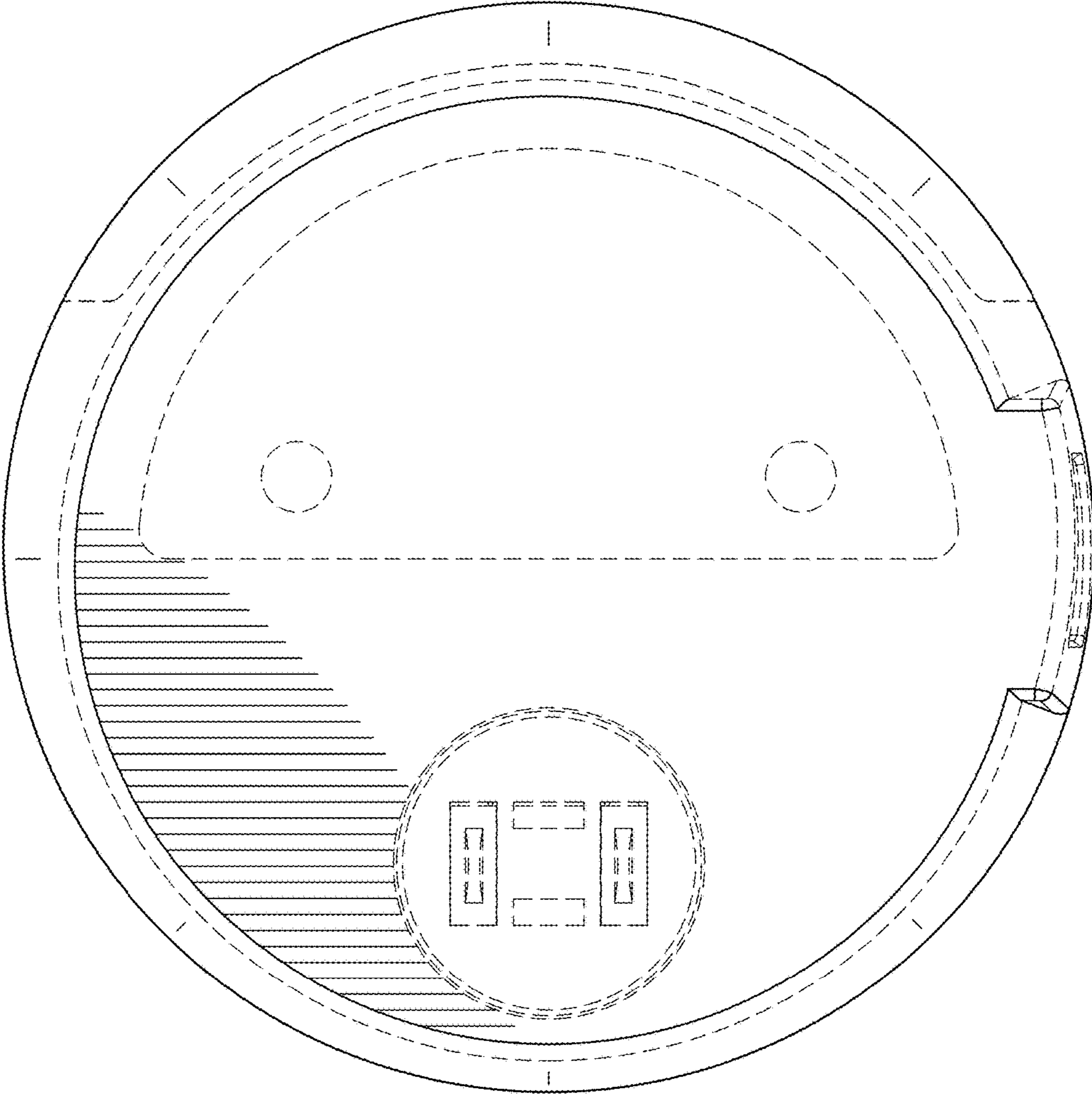


Figure 4

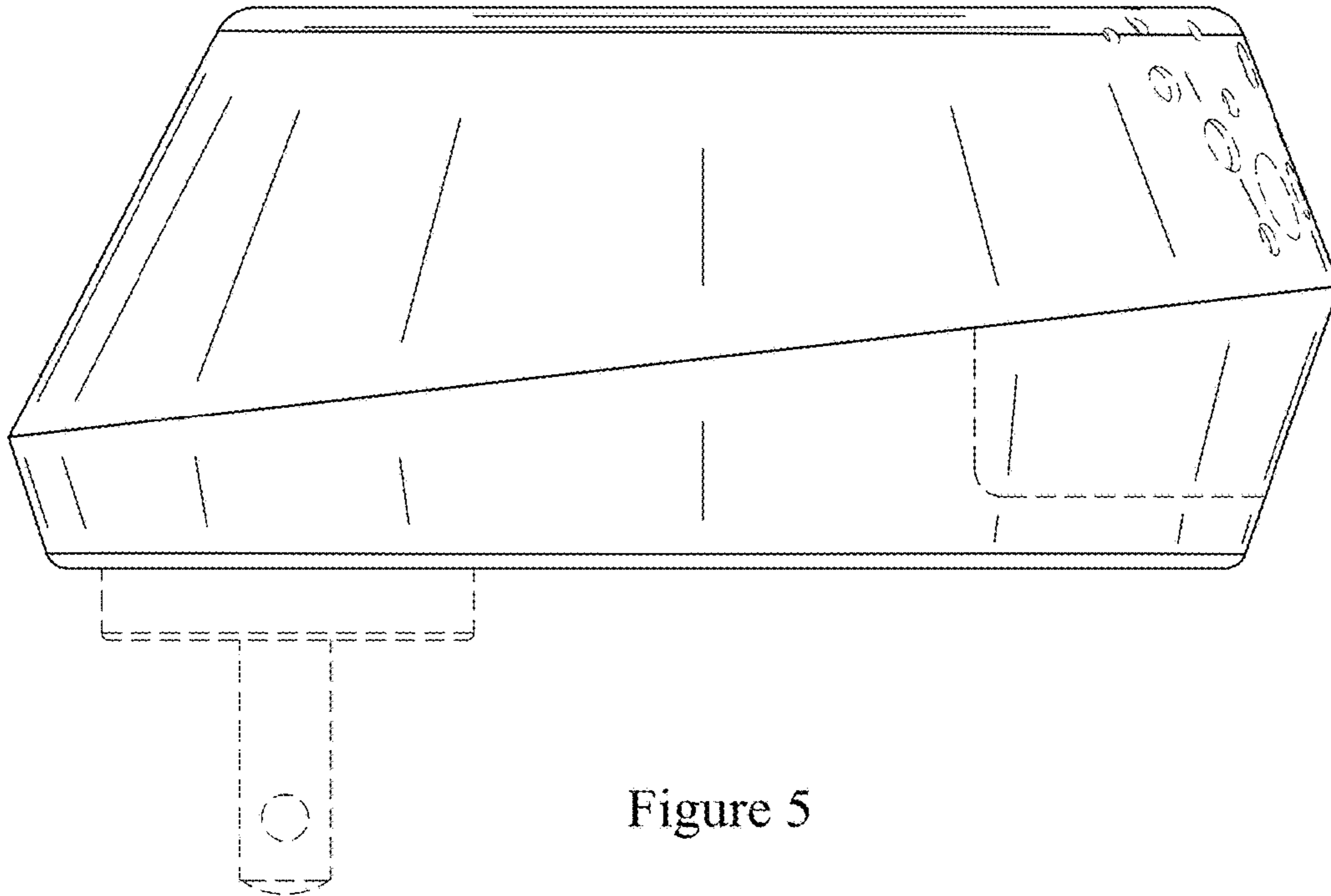


Figure 5

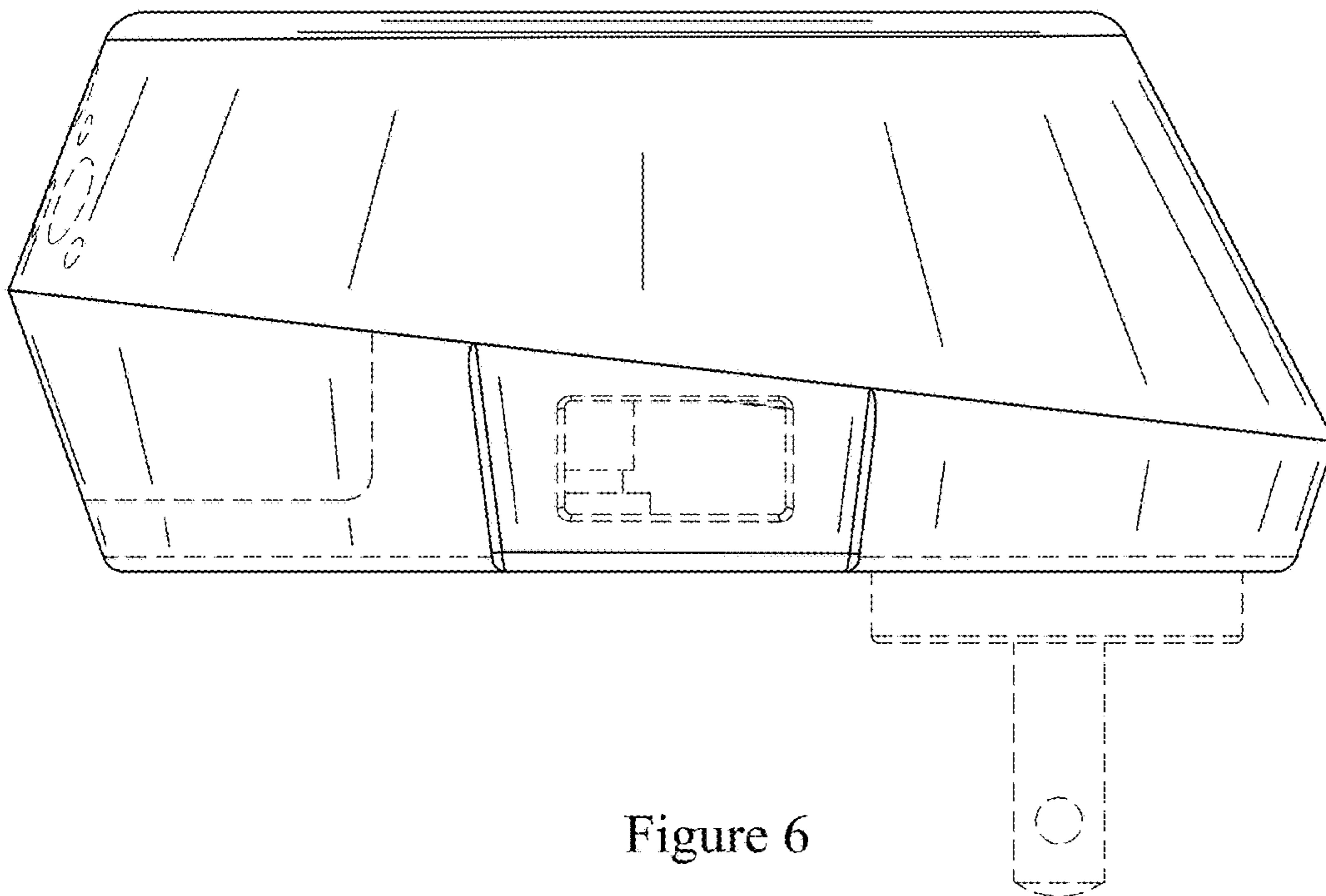
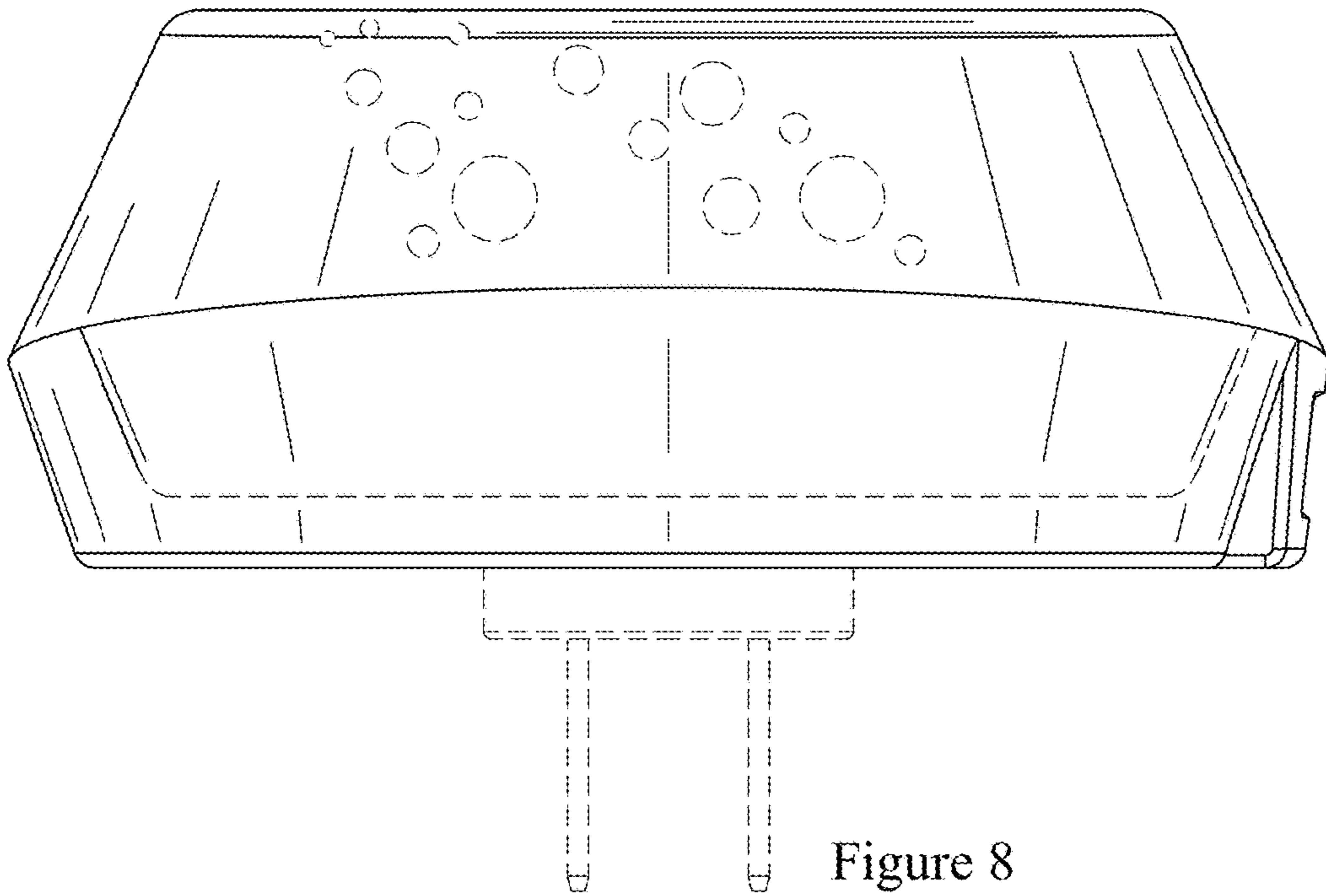
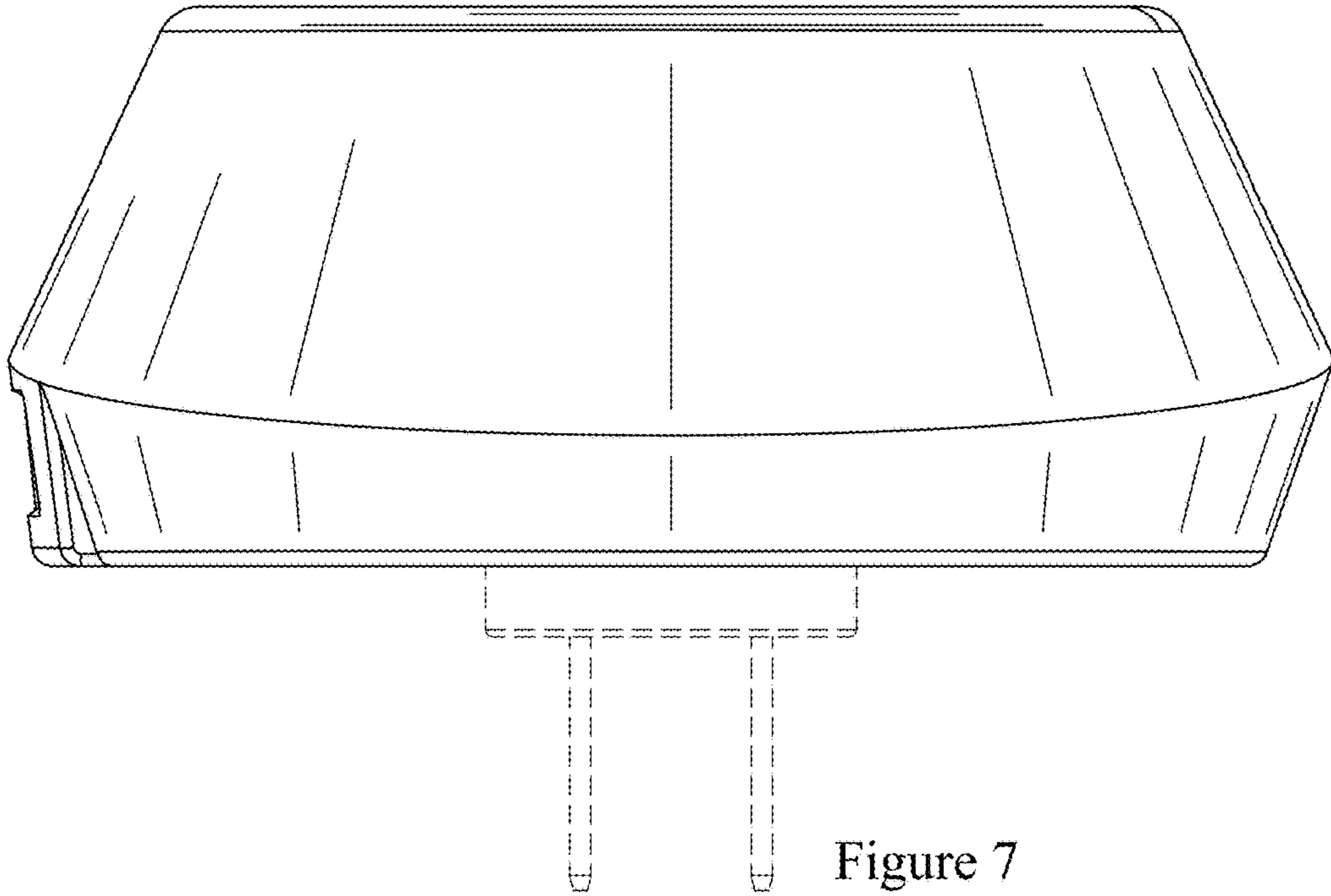


Figure 6



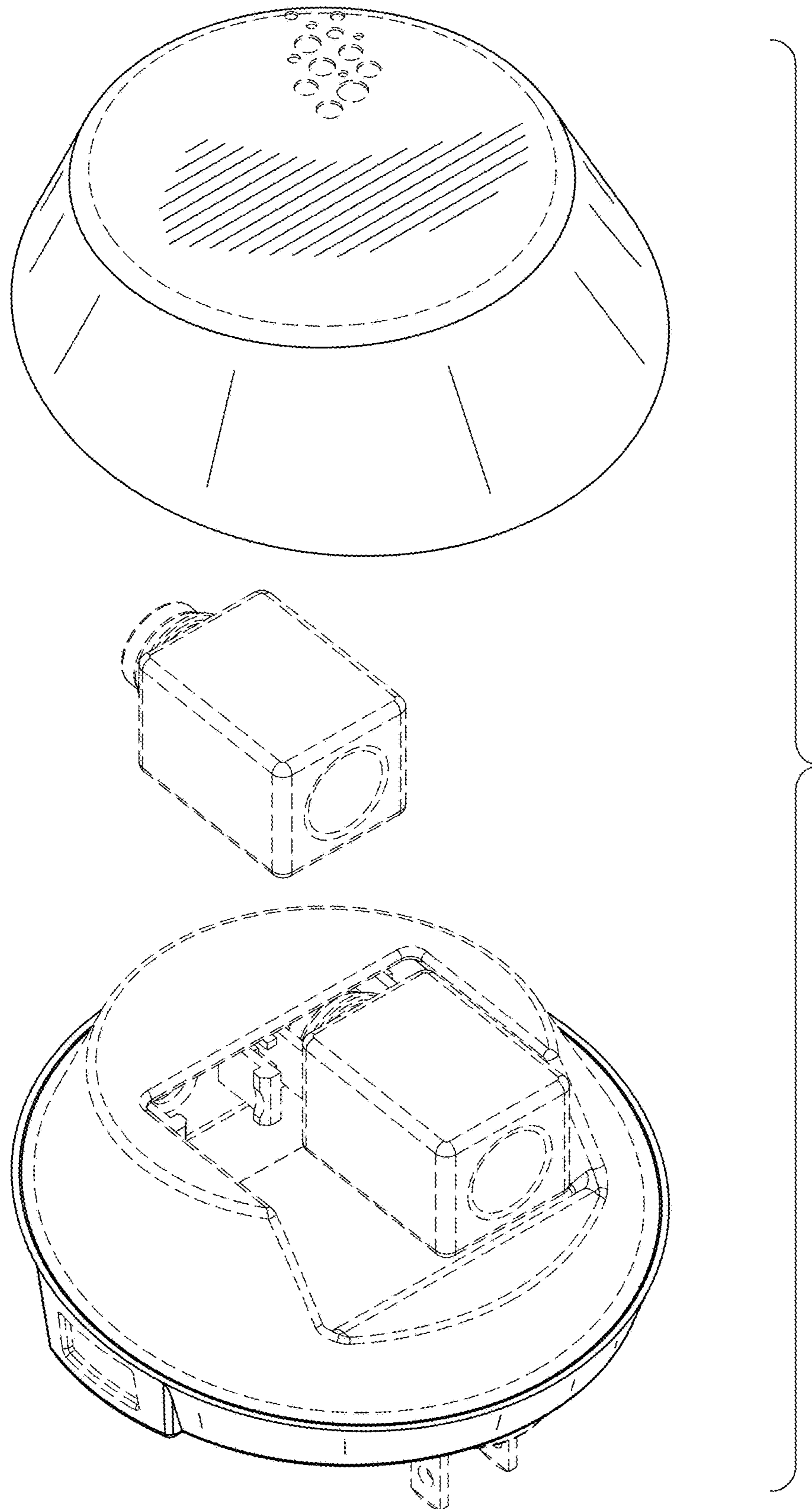


Figure 9