



US00D809112S

(12) **United States Design Patent** (10) **Patent No.:** **US D809,112 S**
Boeltl (45) **Date of Patent:** **** Jan. 30, 2018**

(54) **BASIN**
(71) Applicant: **Acorn Engineering Company**, City of Industry, CA (US)
(72) Inventor: **Darryl Mark Boeltl**, Whittier, CA (US)
(73) Assignee: **Acorn Engineering Company**, City of Industry, CA (US)
(**) Term: **15 Years**

D592,291 S 5/2009 Arets
D598,080 S 8/2009 Kergoet
8,214,939 B2* 7/2012 Spurlock A47J 47/20
4/654
D674,065 S 1/2013 Du
D697,595 S 1/2014 Spangler
D697,597 S 1/2014 Garland et al.
D753,803 S 4/2016 Gompfer et al.
2008/0257780 A1* 10/2008 Bancroft B65D 5/4204
206/769
2017/0042345 A1* 2/2017 Jolley A47F 5/0025

(21) Appl. No.: **29/569,595**
(22) Filed: **Jun. 29, 2016**
(51) **LOC (11) Cl.** **23-02**
(52) **U.S. Cl.**
USPC **D23/308**
(58) **Field of Classification Search**
USPC D23/284-293.1, 303, 307, 308
CPC A47K 1/04; A47B 77/06; A47J 47/20
See application file for complete search history.

OTHER PUBLICATIONS

Acorn Ligature Resistant Lavatory found online [Mar. 25, 2017]
https://www.acorneng.com/product.aspx?ProductId=2565&title=Ligature+Resistant+ADA+Compliant+%27D%27+Bowl+Stainless+Steel+Security+Lavatory&productcategoryid=291&alias=true.*

(Continued)

Primary Examiner — Robert M Spear
Assistant Examiner — John Voytek
(74) *Attorney, Agent, or Firm* — Eric J. Sosenko;
Jonathan P. O'Brien; Honigman Miller Schwartz and
Cohn LLP

(56) **References Cited**

U.S. PATENT DOCUMENTS

2,361,604 A 10/1944 Coordes
D243,182 S * 1/1977 Seymour D23/286
D255,923 S 7/1980 Rosenkranz
D273,979 S 5/1984 Stair, Jr.
D288,352 S * 2/1987 Smith D23/285
D321,931 S * 11/1991 Dierkes D23/293.1
D325,249 S * 4/1992 Kliebert D23/308
D329,280 S * 9/1992 Draucek, Sr. D23/308
D380,883 S * 7/1997 Katz D32/25
D394,495 S 5/1998 Hauser, II
D406,478 S * 3/1999 Rahman D6/683
D494,259 S 8/2004 Chen et al.
D538,408 S 3/2007 Soulier
D539,878 S 4/2007 Hou
D544,073 S * 6/2007 DeGarmo D23/284
D547,839 S 7/2007 Helmetsie
D589,128 S * 3/2009 Mitrani D23/284

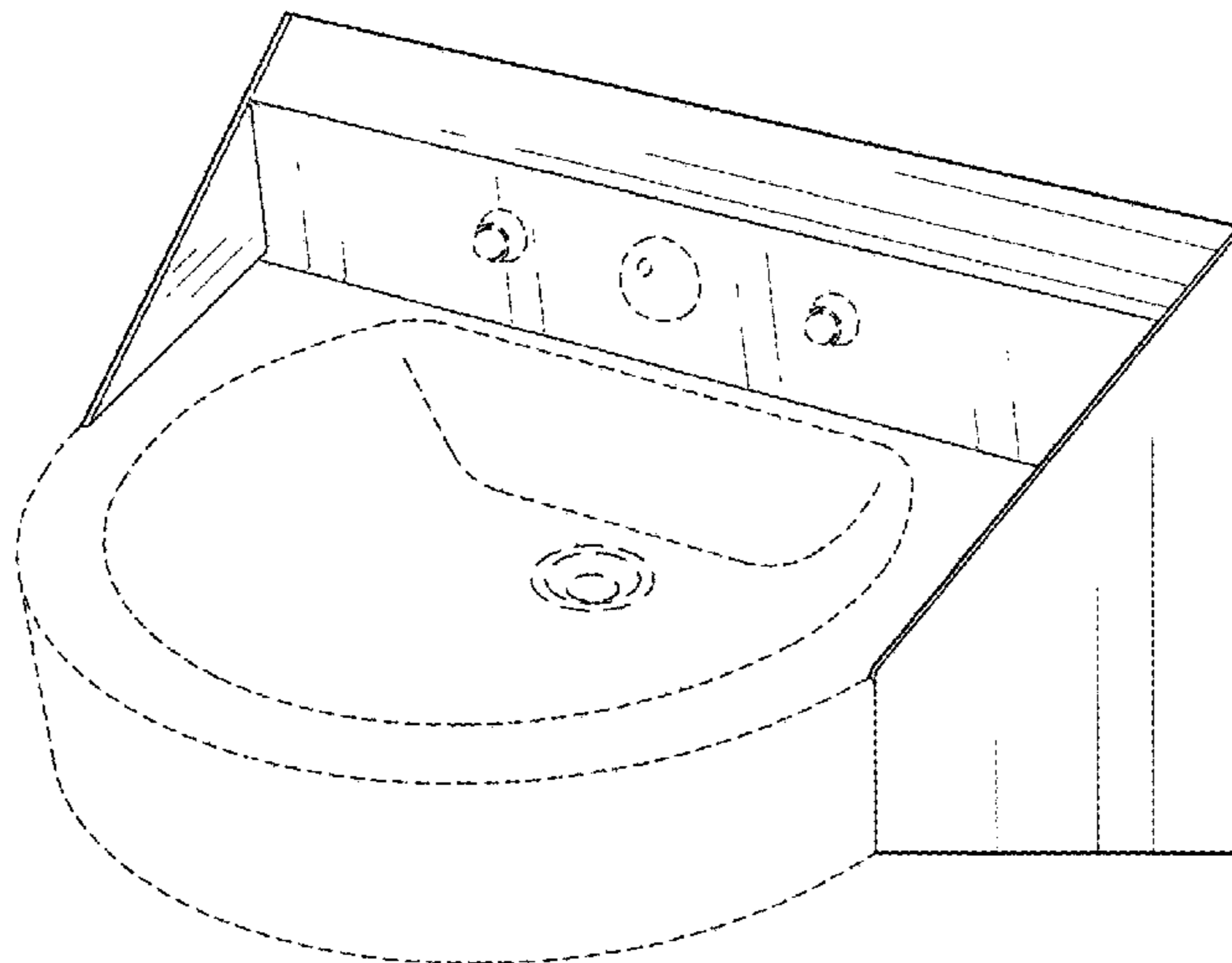
(57) **CLAIM**

I claim the ornamental design for a basin, as shown and described.

DESCRIPTION

FIG. 1 is a perspective view of a basin in accordance with the principles of the present disclosure;
FIG. 2 is a front view of the basin of FIG. 1;
FIG. 3 is a rear view of the basin of FIG. 1;
FIG. 4 is a top view of the basin of FIG. 1;
FIG. 5 is a bottom view of the basin of FIG. 1; and,
FIG. 6 is a left side view of the basin of FIG. 1.
In the drawings, the broken lines depict environmental subject matter only and form no part of the claimed design.

1 Claim, 4 Drawing Sheets



(56)

References Cited

OTHER PUBLICATIONS

Kirby Restaurant & Chemical Supply, "John Boos Stainless Steel Wall Mount Hand Sink w/ Side Splashes, PBHSW-1410PSSLRX," <http://www.kirbysupply.com/Equipment/Work_Area_Equipment/John_Boos/Hand_Sinks/PBHSW-1410PSSLRX.htm>

retrieved from internet on May 12, 2016, 2pgs.

Elkay, "Lavatory Sink ELV22193," <<http://www.elkay.com/elv22193>>, retrieved from internet on May 12, 2016, 3pgs.

eBAY, "Hand Sink Wall Mount 16" x15" Splash Guards NSF," <http://www.ebay.com/sch/sis.html?_nkw=HAND+SINK+WALL+MOUNT+16+X+15+SPLASH+GUARDS&_trksid=p2047675.m4100>

retrieved from internet May 12, 2016, 3pgs.

Willoughby Industries—Security Products, "ASHS-1013-06-15-HC-FA, 15" Wide Front Access Handicap—ADA Compliant Ligature-resistant Lavatory," Product Specification Sheet, 2pgs.

Willoughby Industries—Healthcare Products, "ASWLDR-1922 Ligature-resistant Stainless Steel Behavioral Healthcare Lavatory System," Product Specification Sheet, 2pgs.

* cited by examiner

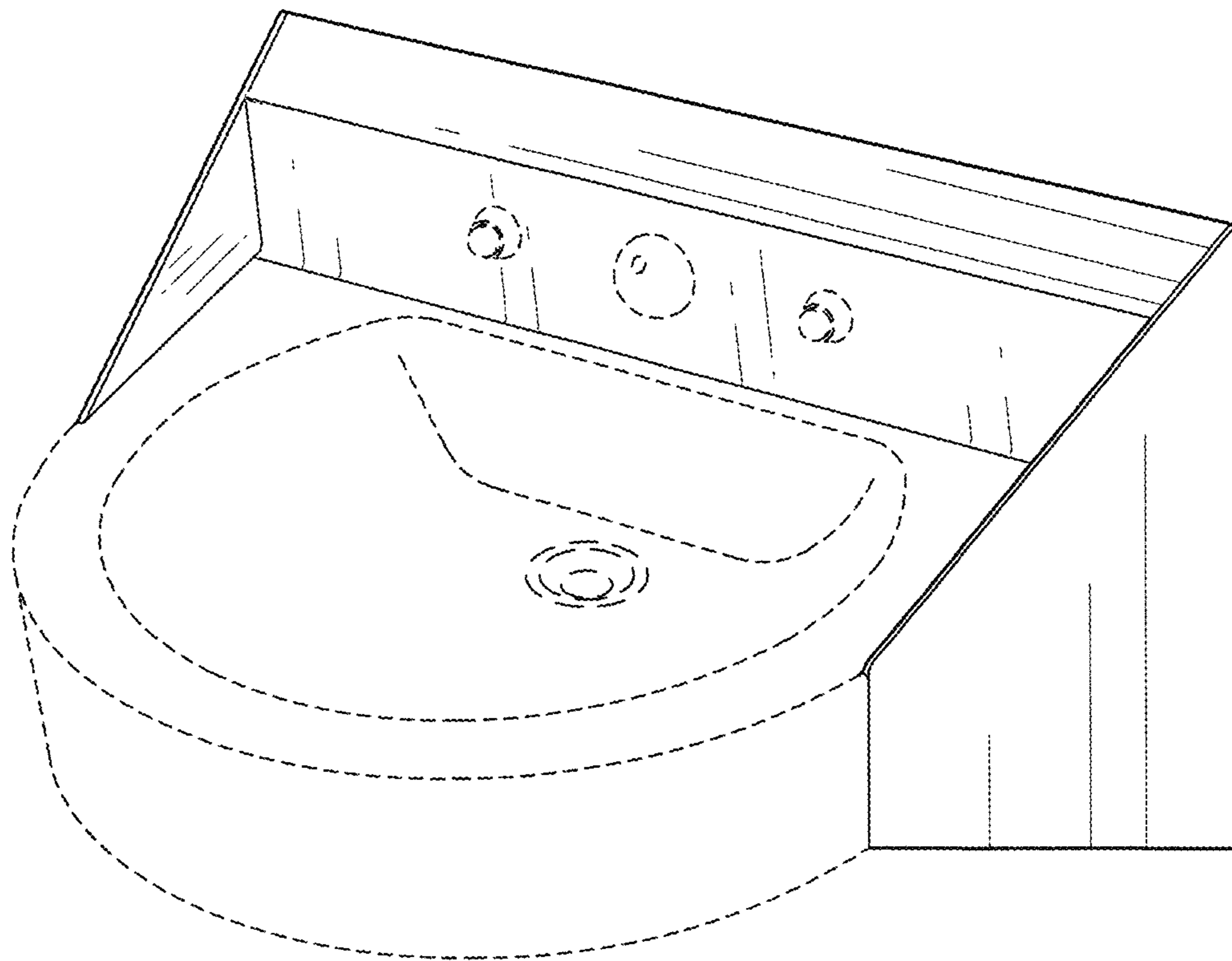


Fig-1

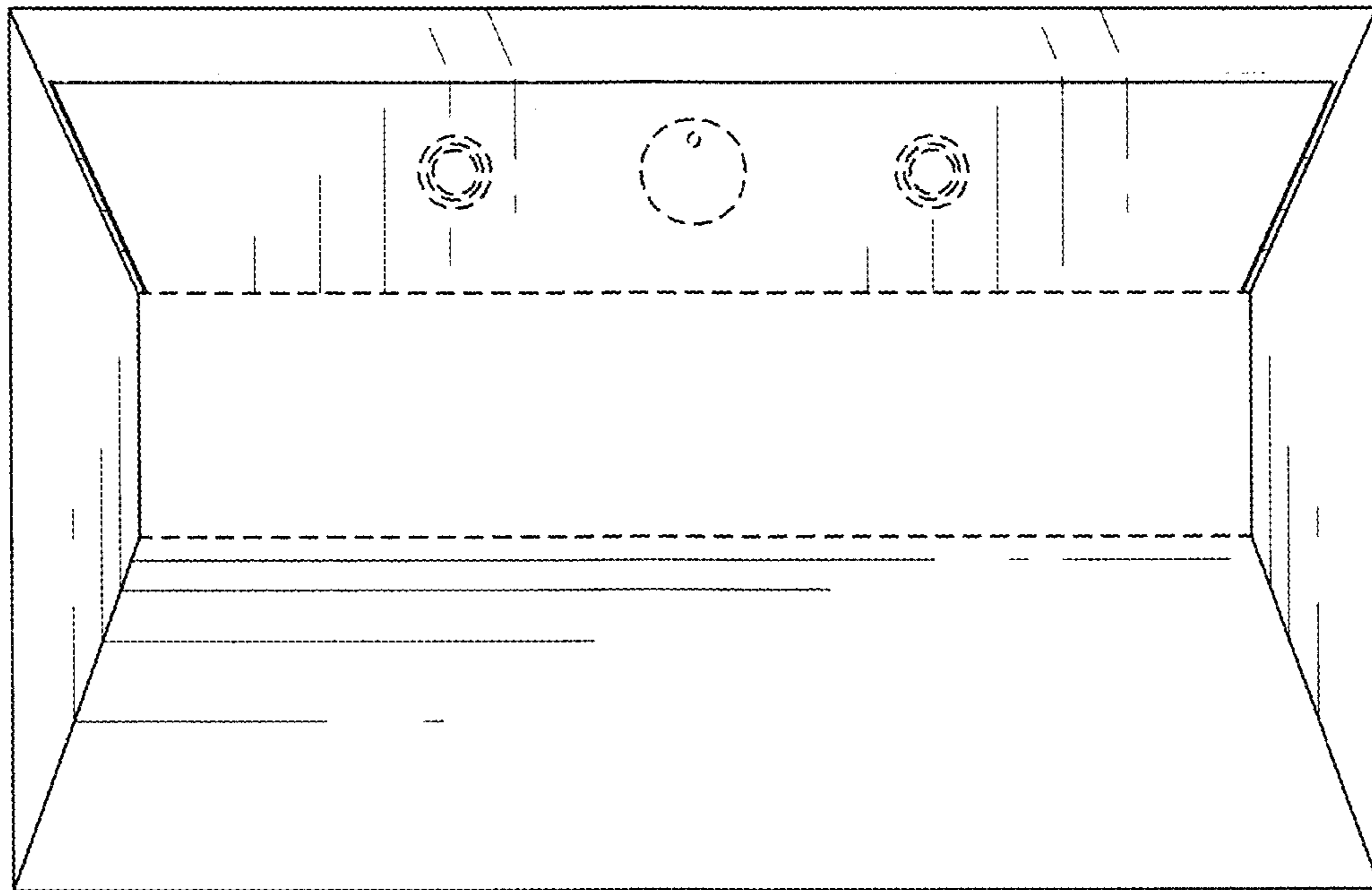


Fig-2

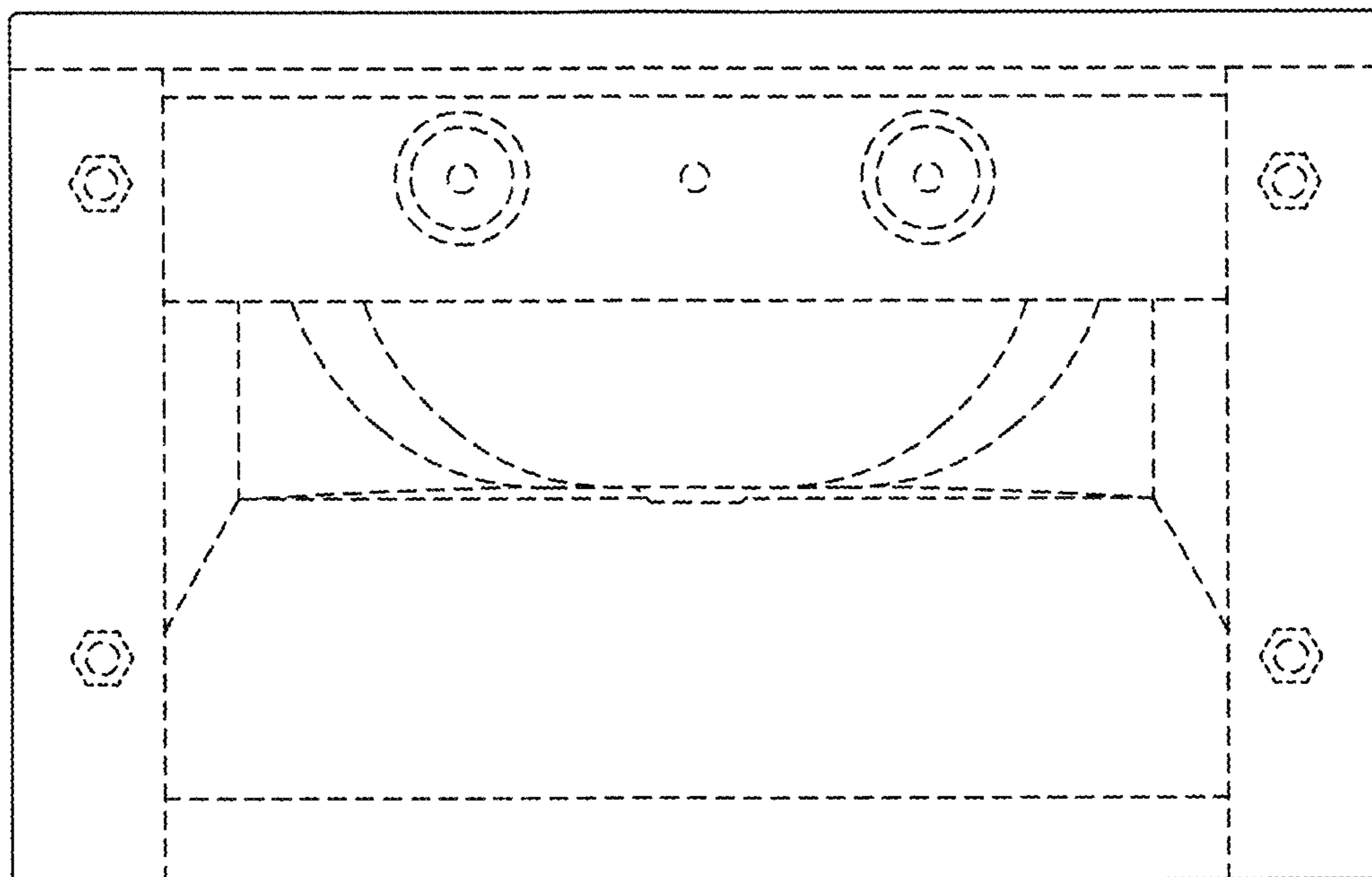


Fig-3

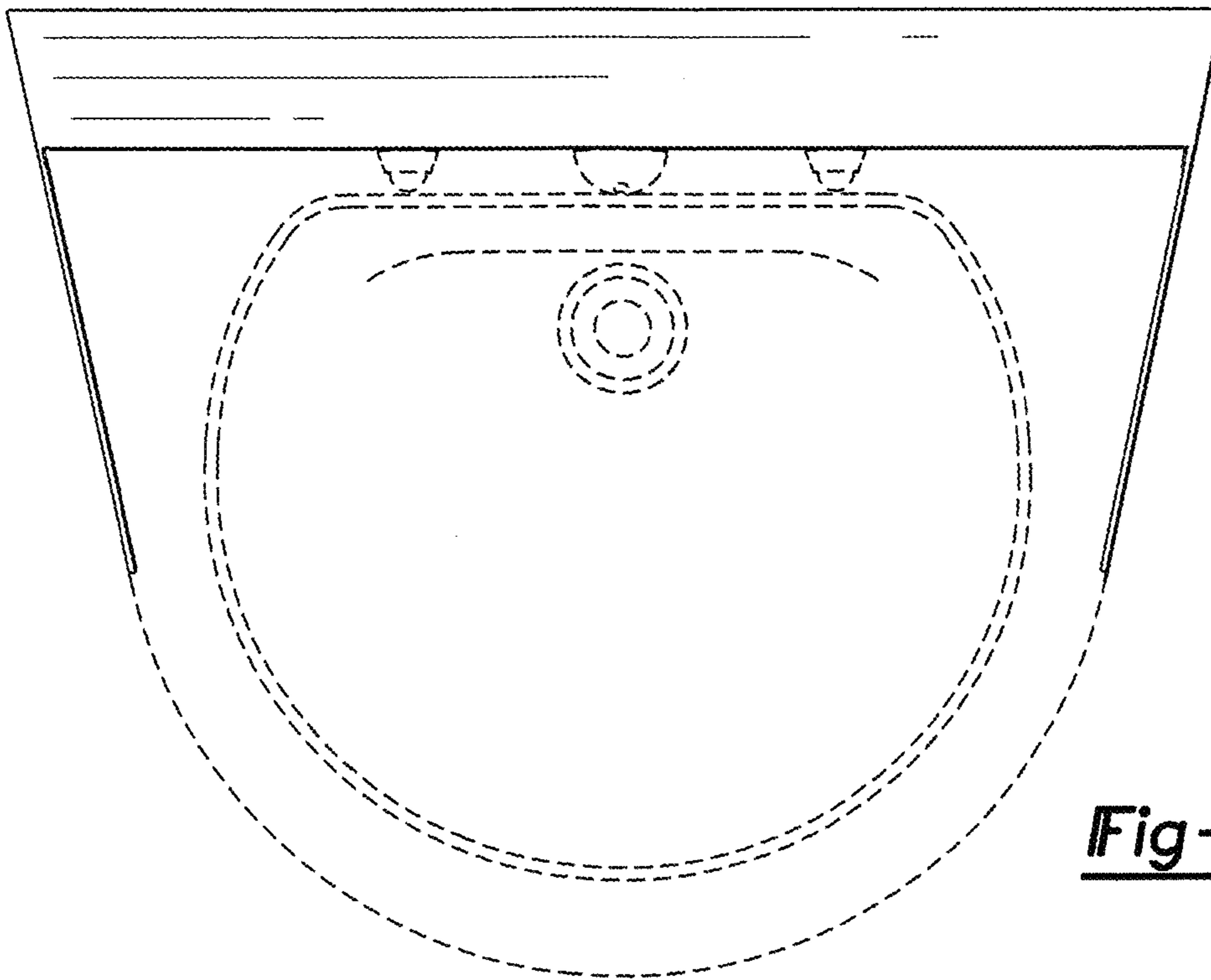


Fig-4

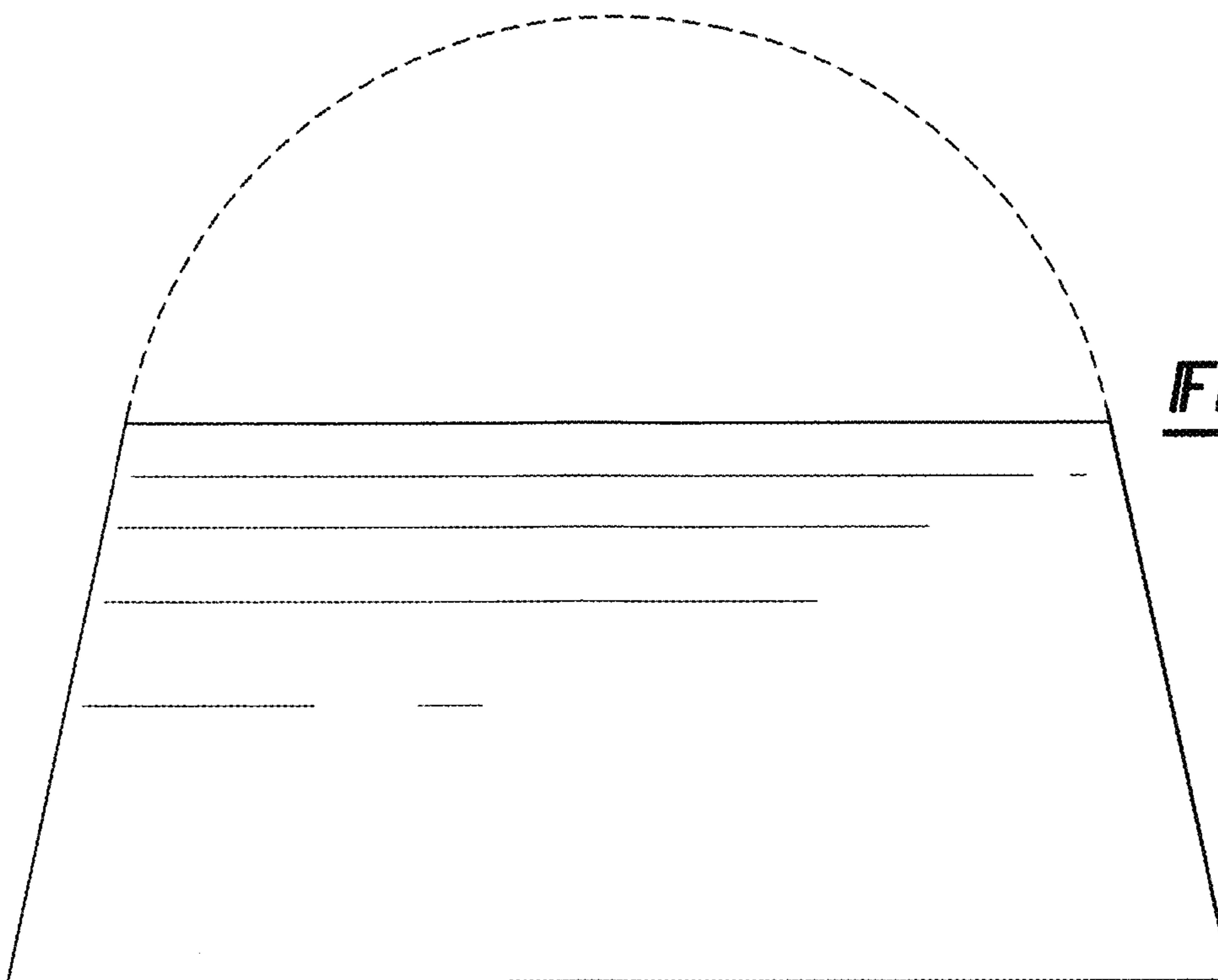


Fig-5

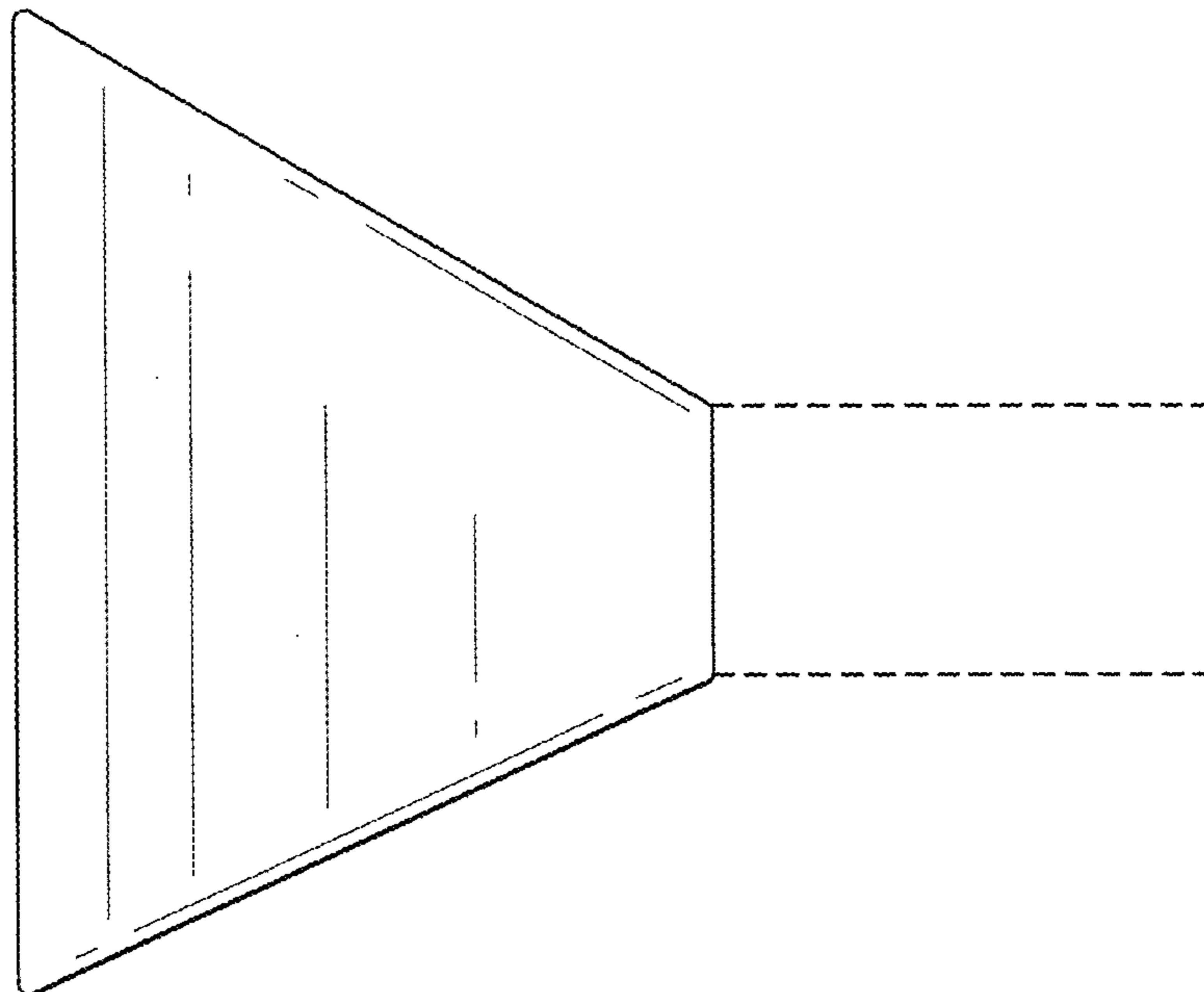


Fig-6